



US00D386755S

United States Patent [19]

Lee

[11] Patent Number: **Des. 386,755**

[45] Date of Patent: ****Nov. 25, 1997**

[54] **MONITOR FOR USE WITH A COMPUTER SYSTEM**

[75] Inventor: **Cheol-Ho Lee**, Incheon, Rep. of Korea

[73] Assignee: **Daewoo Telecom Ltd.**, Incheon, Rep. of Korea

[**] Term: **14 Years**

[21] Appl. No.: **58,239**

[22] Filed: **Aug. 9, 1996**

[51] LOC (6) Cl. **14-02**

[52] U.S. Cl. **D14/113; D14/126**

[58] **Field of Search** D14/100, 113, D14/124-129; 248/917-924; 345/104, 133, 156, 168, 173, 87

[56] **References Cited**

U.S. PATENT DOCUMENTS

D. 336,645 6/1993 Saito et al. D14/113 X

D. 361,550 8/1995 Mundt et al. D14/113 X
D. 364,856 12/1995 Lee D14/113
D. 369,790 5/1996 Kim D14/113

Primary Examiner—Freda Nunn

Attorney, Agent, or Firm—Pennie and Edmonds, LLP

[57] **CLAIM**

The ornamental design for a monitor for use with a computer system, as shown and described.

DESCRIPTION

FIG. 1 is a perspective view of a monitor for use with a computer system showing my new design; FIG. 2 is a top plan view thereof; FIG. 3 is a front elevational view thereof; FIG. 4 is a bottom plan view thereof; FIG. 5 is a rear elevational view thereof; and, FIG. 6 is a right side elevational view thereof, which is symmetrical to a left side view not shown herein.

1 Claim, 4 Drawing Sheets

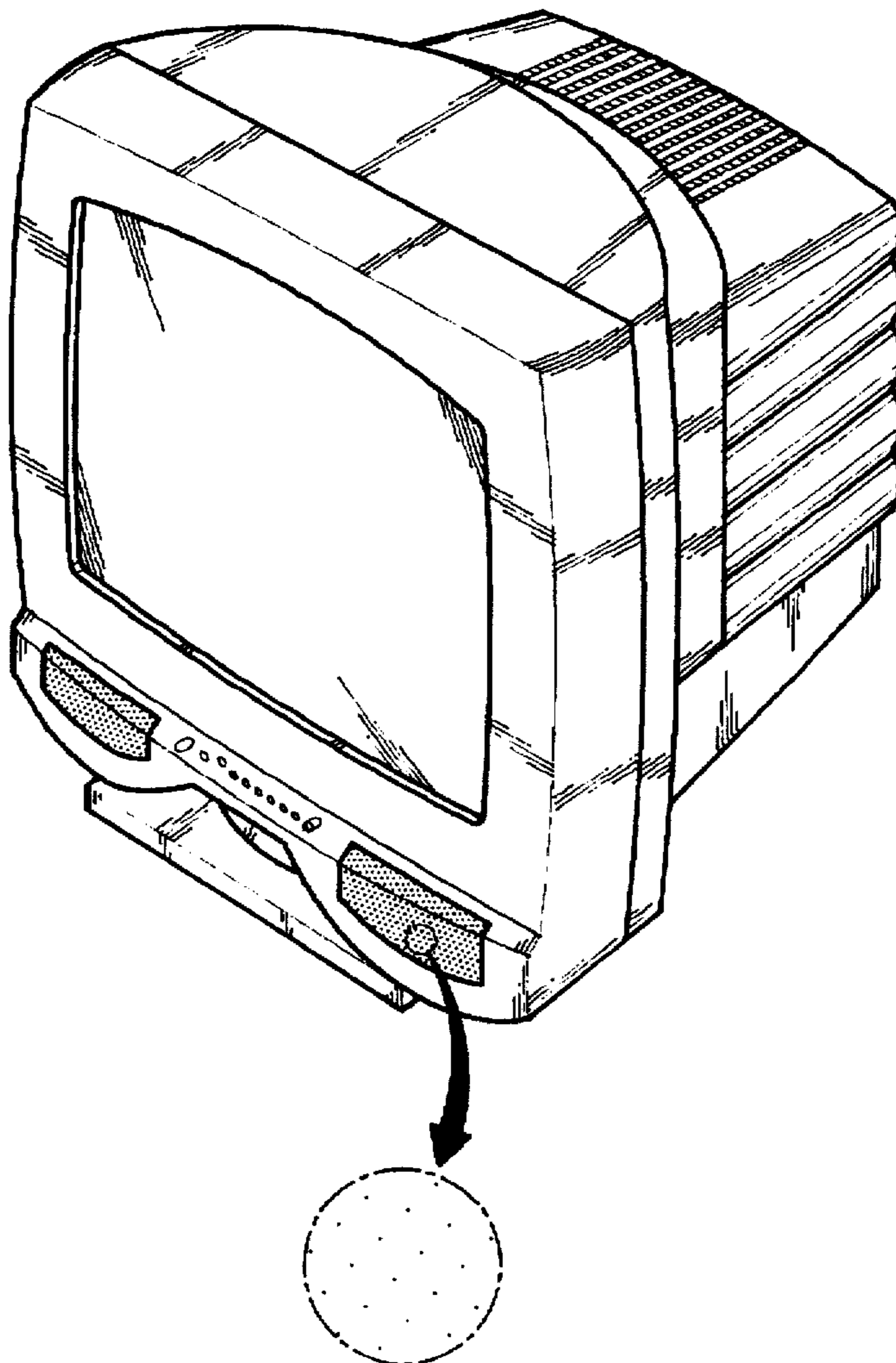


FIG. 1

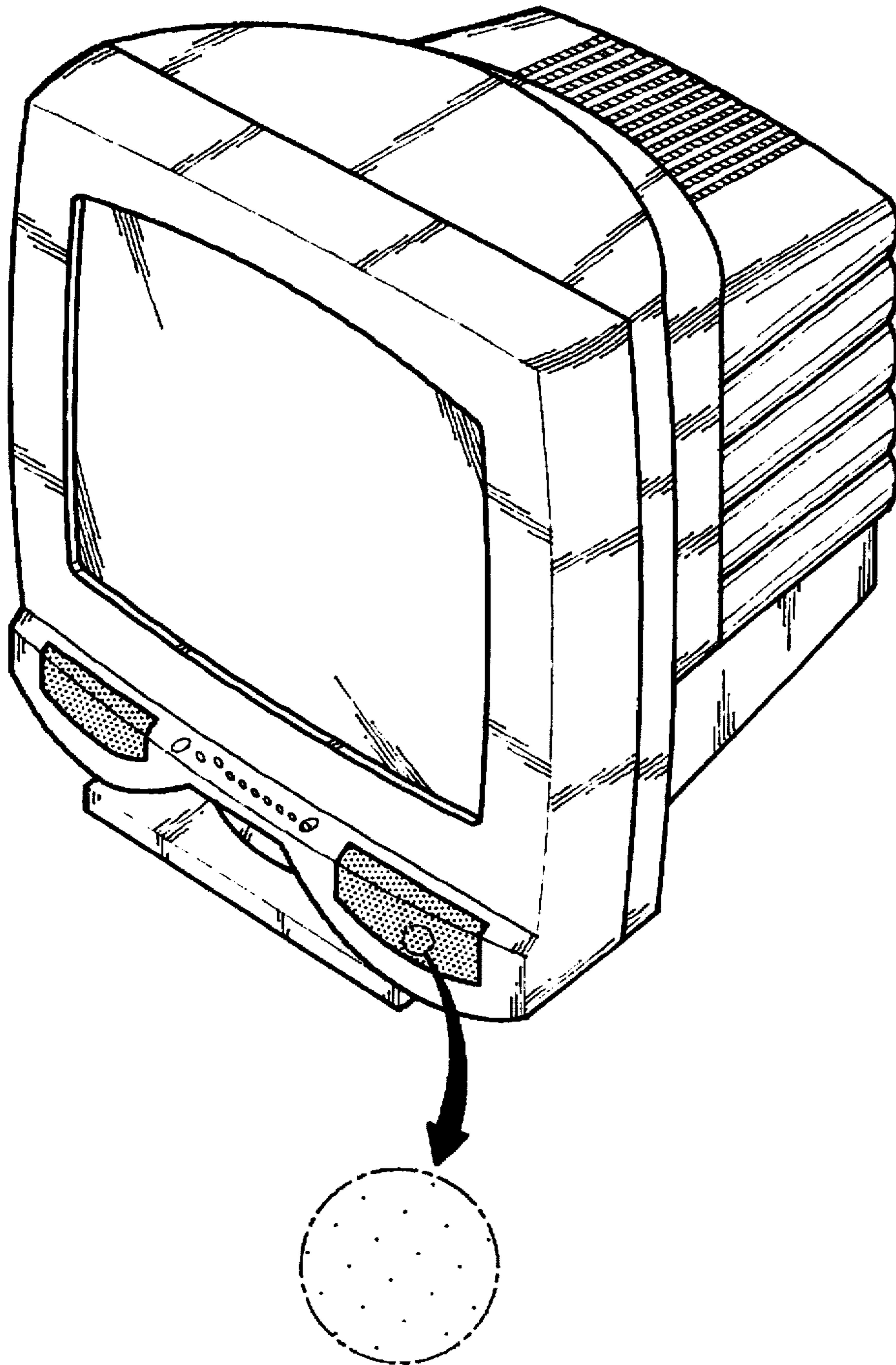


FIG. 2

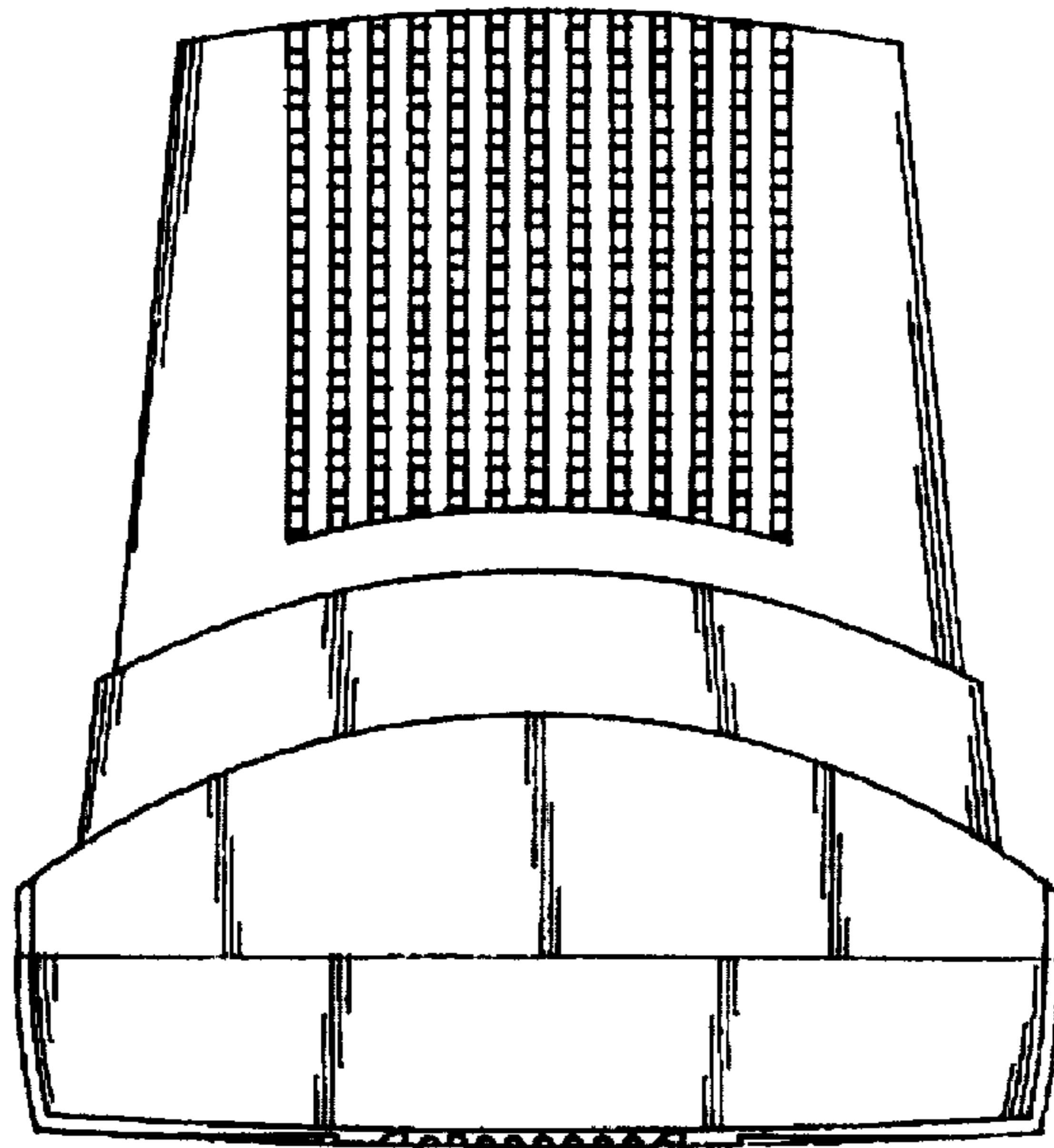


FIG. 3

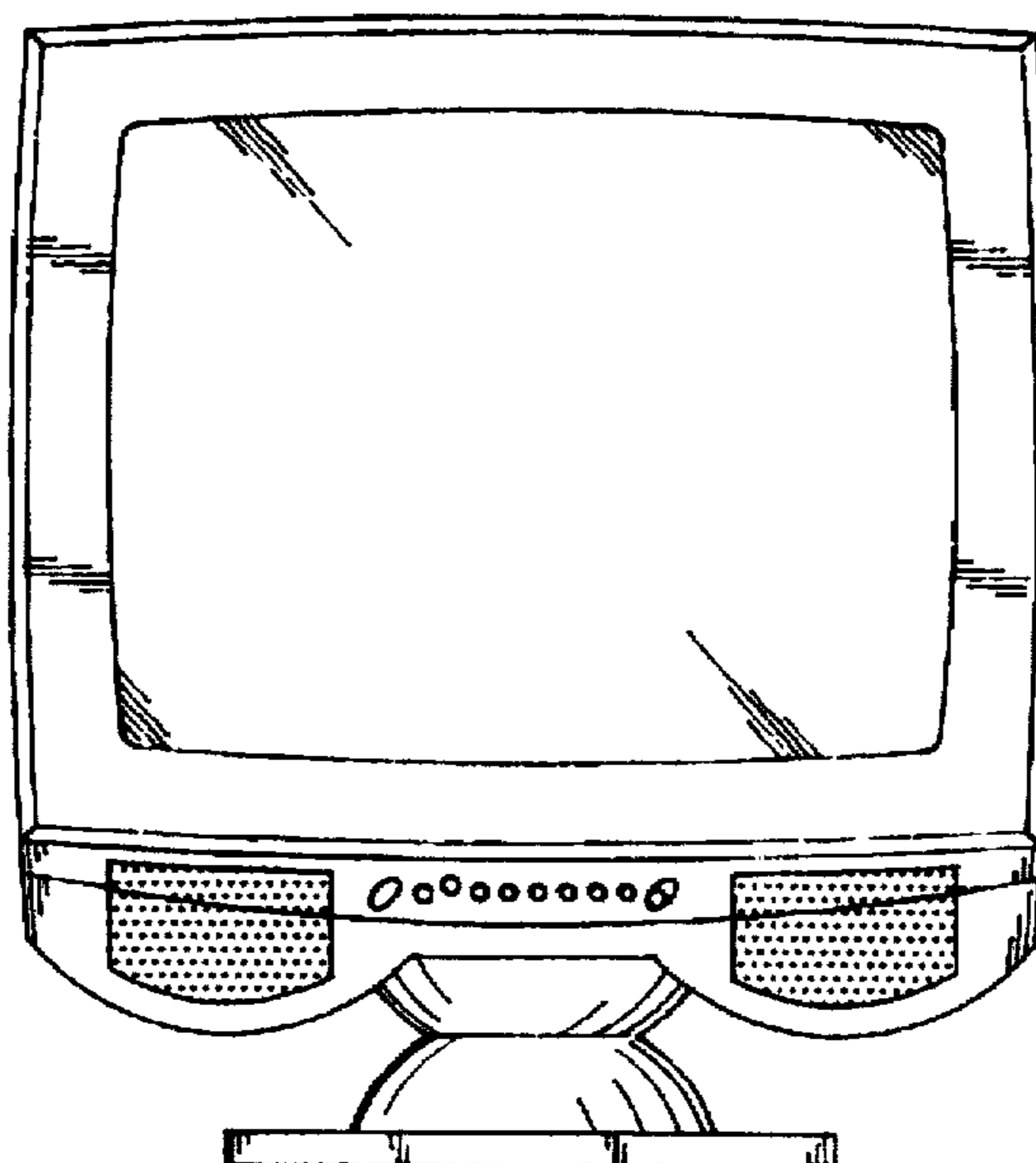


FIG. 4

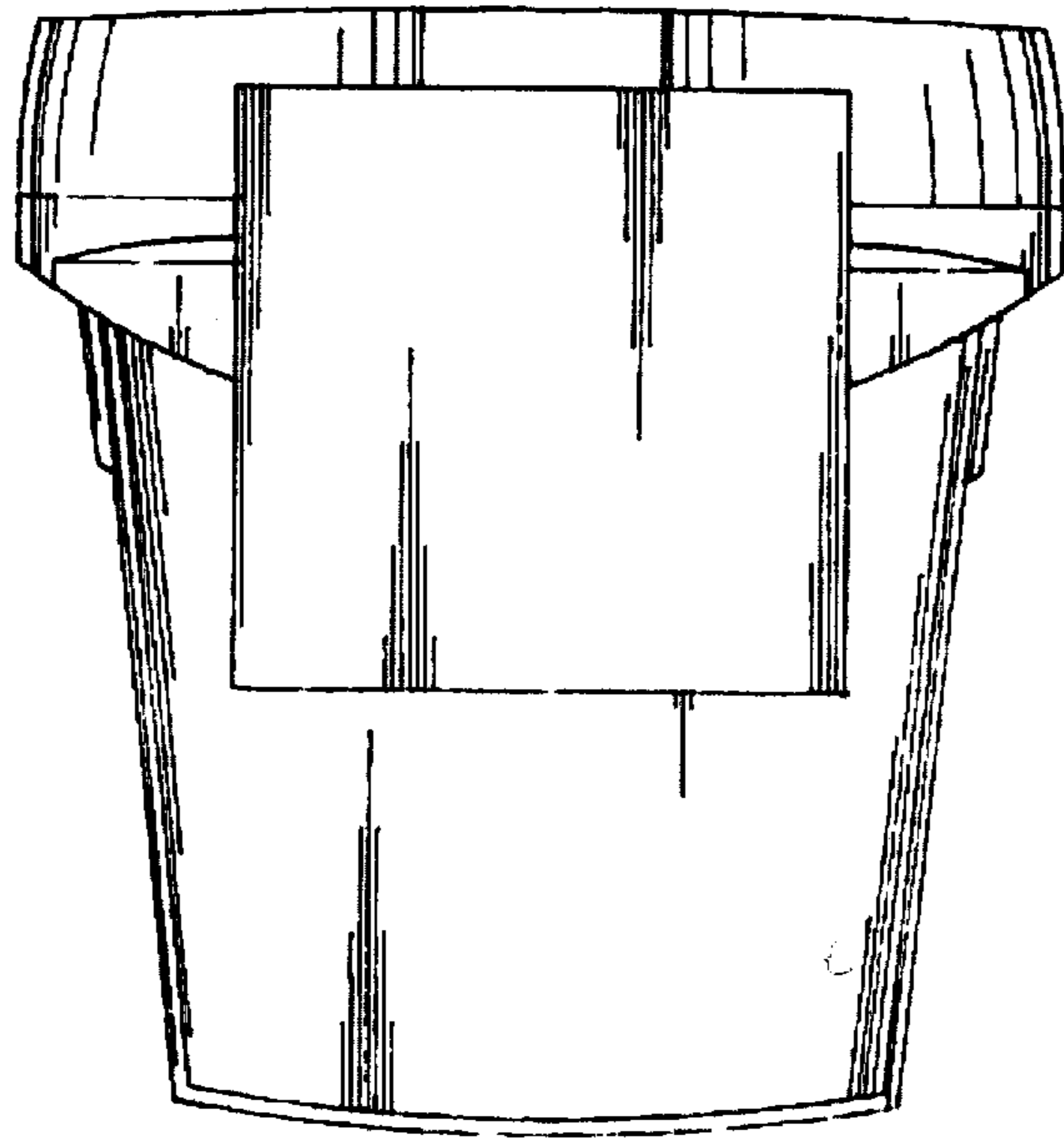


FIG. 5

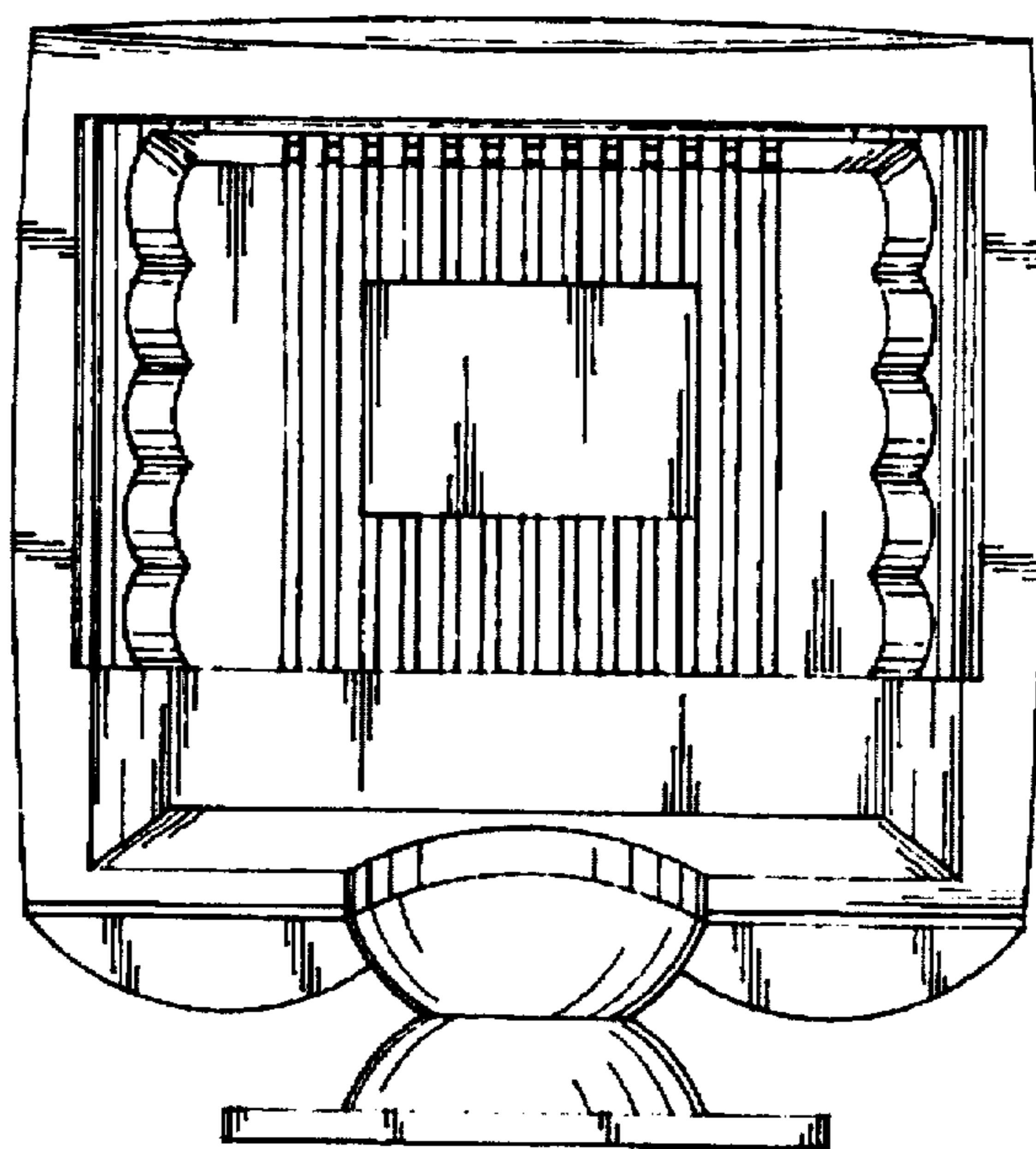


FIG. 6

