



US00D386752S

United States Patent [19] Han

[11] Patent Number: **Des. 386,752**

[45] Date of Patent: ****Nov. 25, 1997**

[54] **PERSONAL COMPUTER UNIT**

[75] Inventor: **Seung-Hyun Han**, Incheon, Rep. of Korea

[73] Assignee: **Daewoo Telecom Ltd.**, Incheon, Rep. of Korea

[**] Term: **14 Years**

[21] Appl. No.: **58,242**

[22] Filed: **Aug. 9, 1996**

[51] LOC (6) Cl. **14-02**

[52] U.S. Cl. **D14/100; D14/109**

[58] Field of Search **D14/100, 102, D14/107-109; D13/162, 184, 199; 312/208.1; D6/432, 436, 445, 448; 360/99.12; 361/690-696**

[56] **References Cited**

U.S. PATENT DOCUMENTS

D. 363,466 10/1995 Martin D14/109

Primary Examiner—Freda Nunn
Attorney, Agent, or Firm—Pennie & Edmonds, LLP

[57] **CLAIM**

The ornamental design for a personal computer unit, as shown and described.

DESCRIPTION

FIG. 1 is a perspective view of a personal computer unit showing my new design;

FIG. 2 is a top plan view thereof;

FIG. 3 is a front elevational view thereof;

FIG. 4 is a bottom plan view thereof;

FIG. 5 is a rear elevational view thereof;

FIG. 6 is a left side elevational view thereof; and,

FIG. 7 is a right side elevational view thereof.

1 Claim, 4 Drawing Sheets

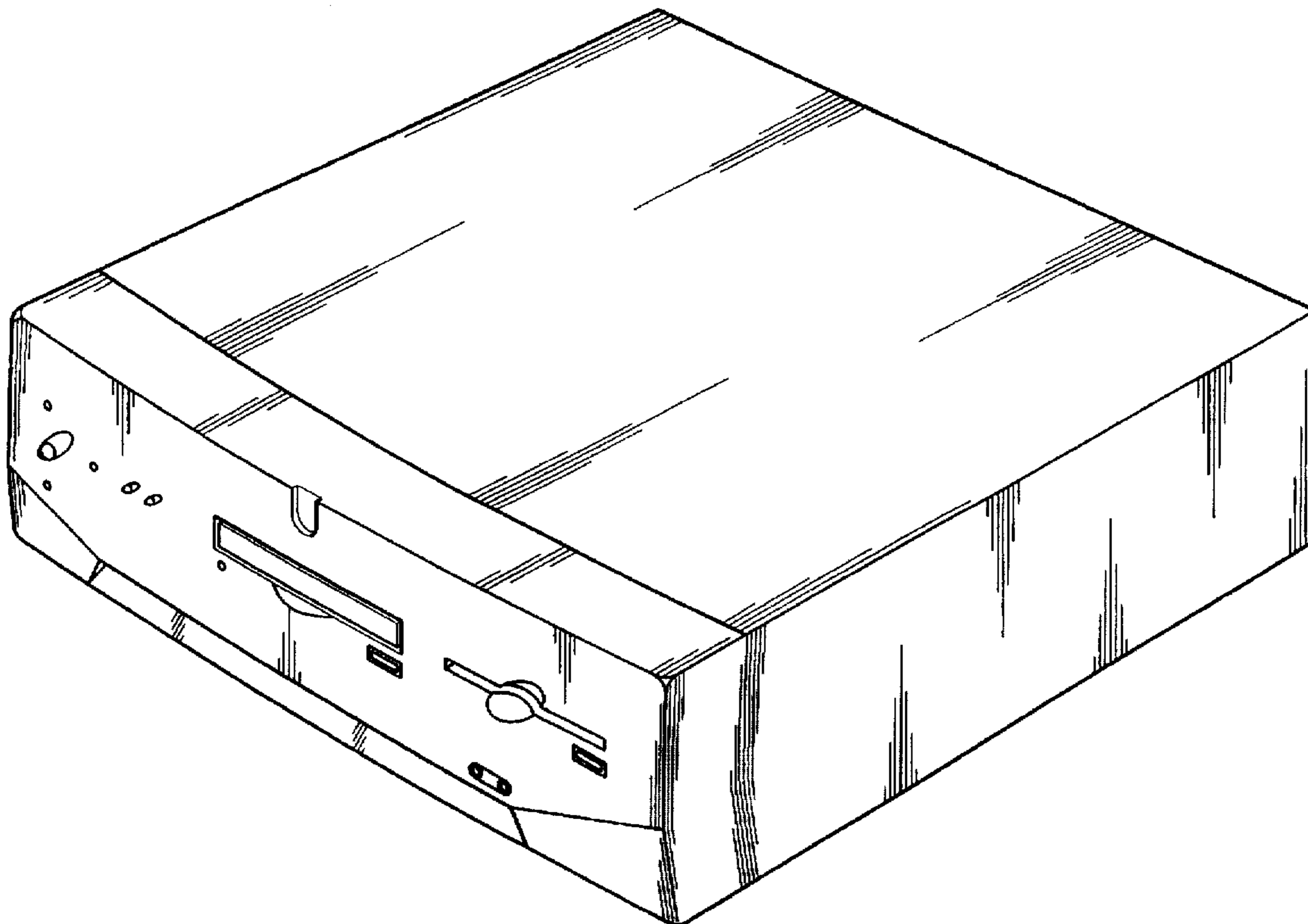


FIG. 1

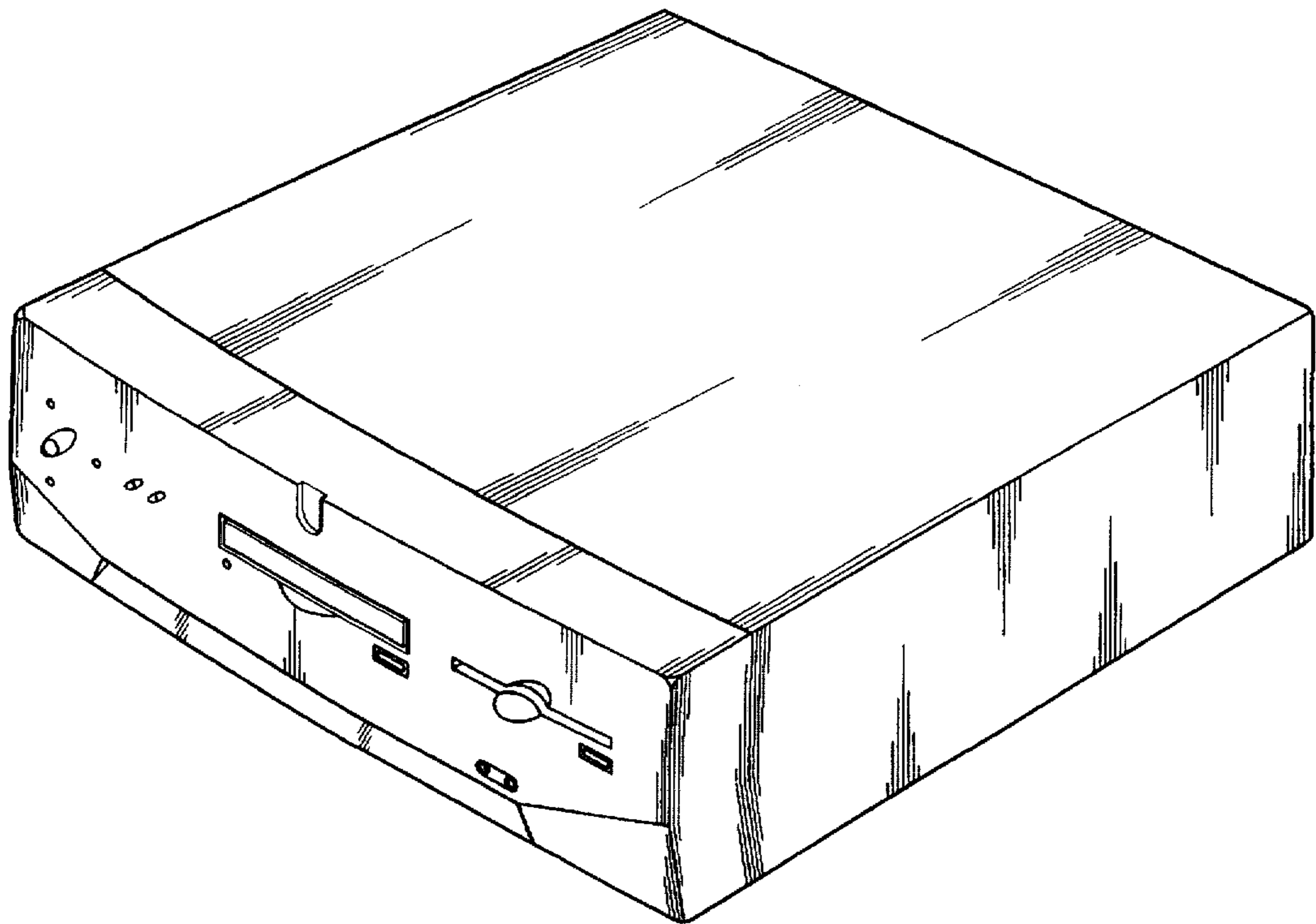


FIG. 2

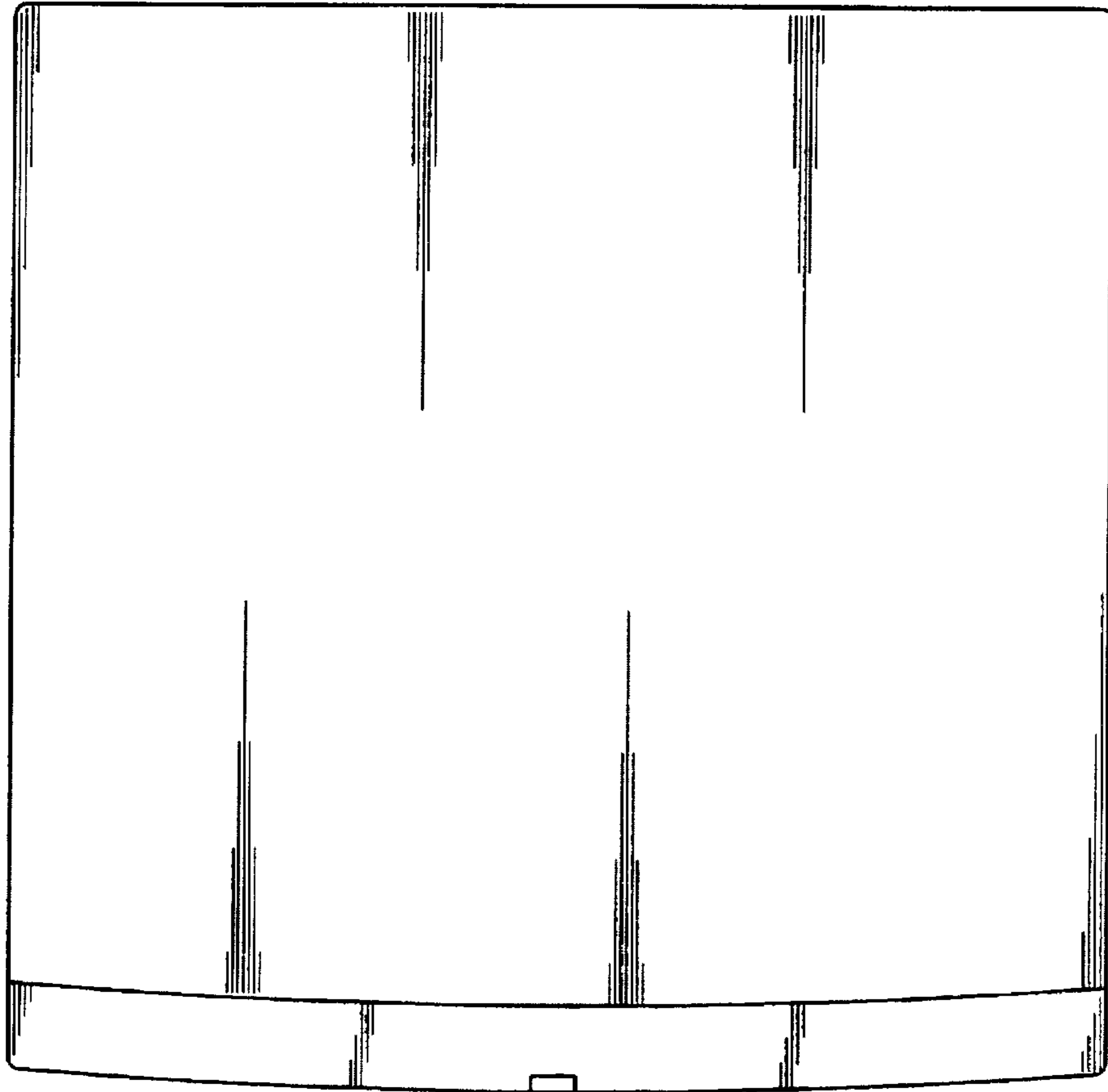


FIG. 3

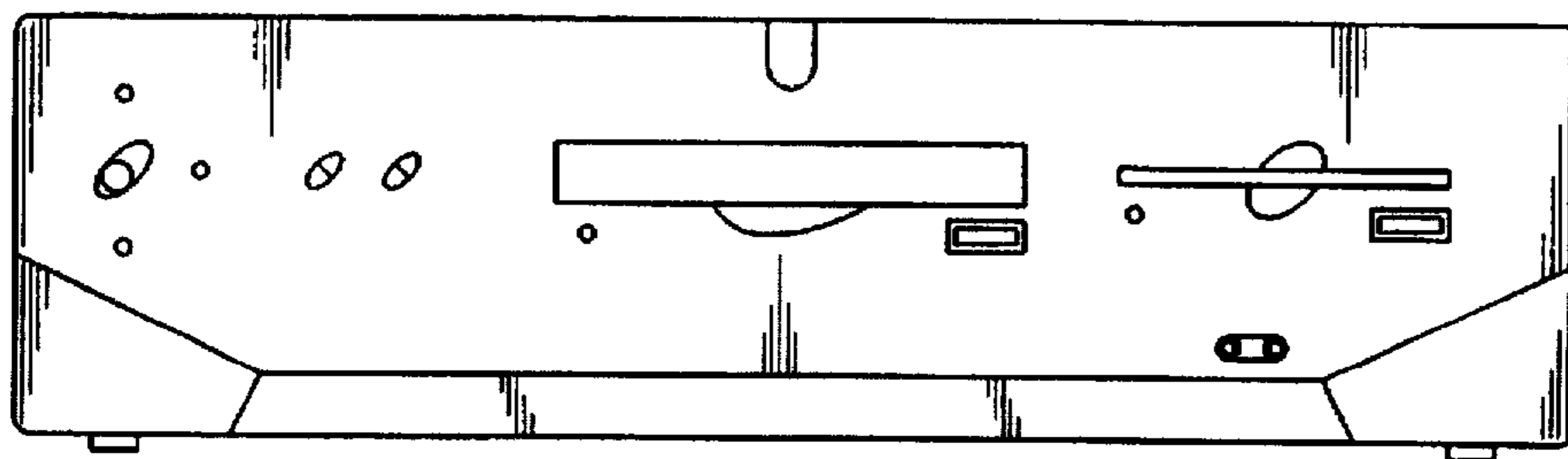


FIG. 4

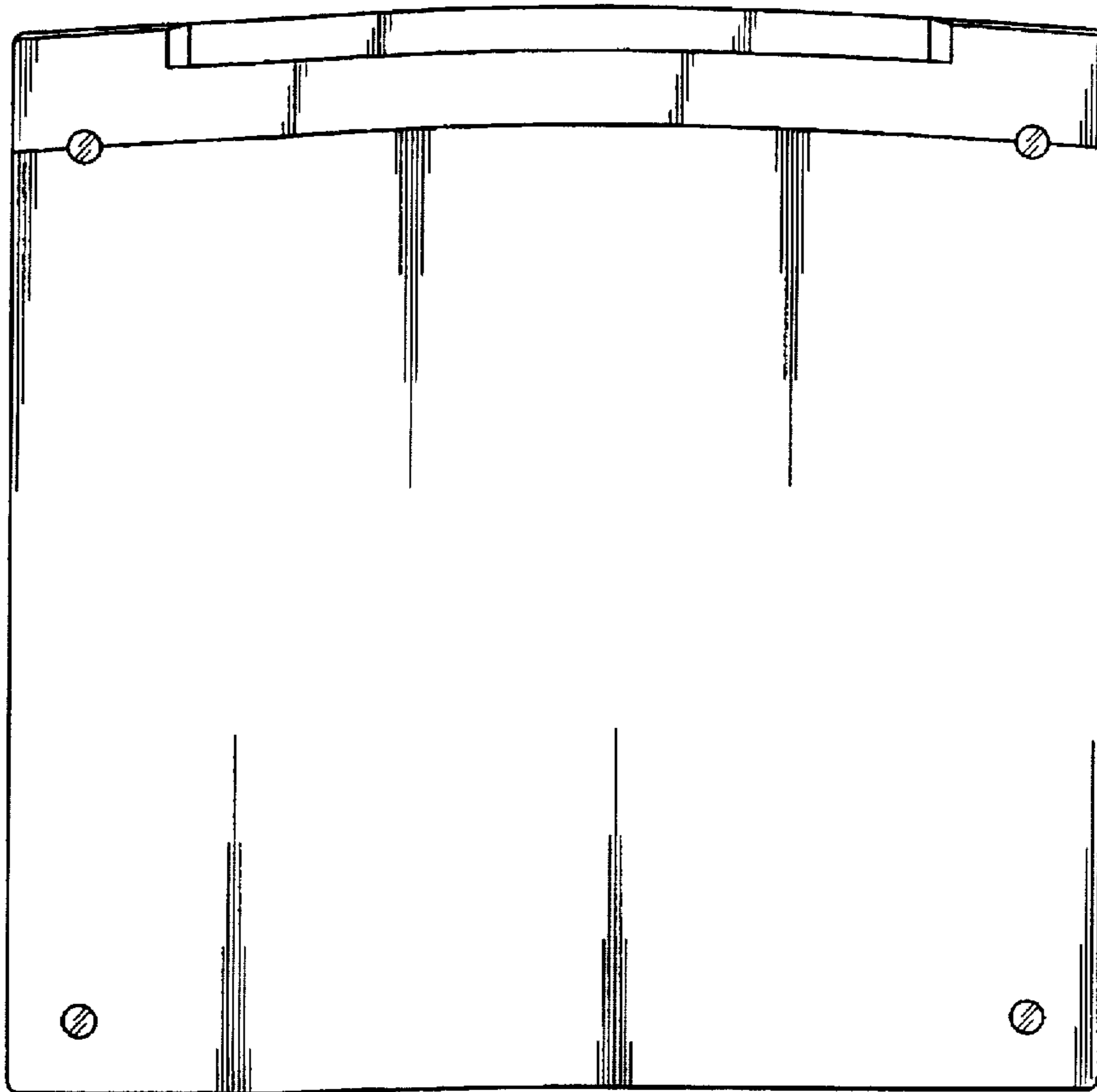


FIG. 5

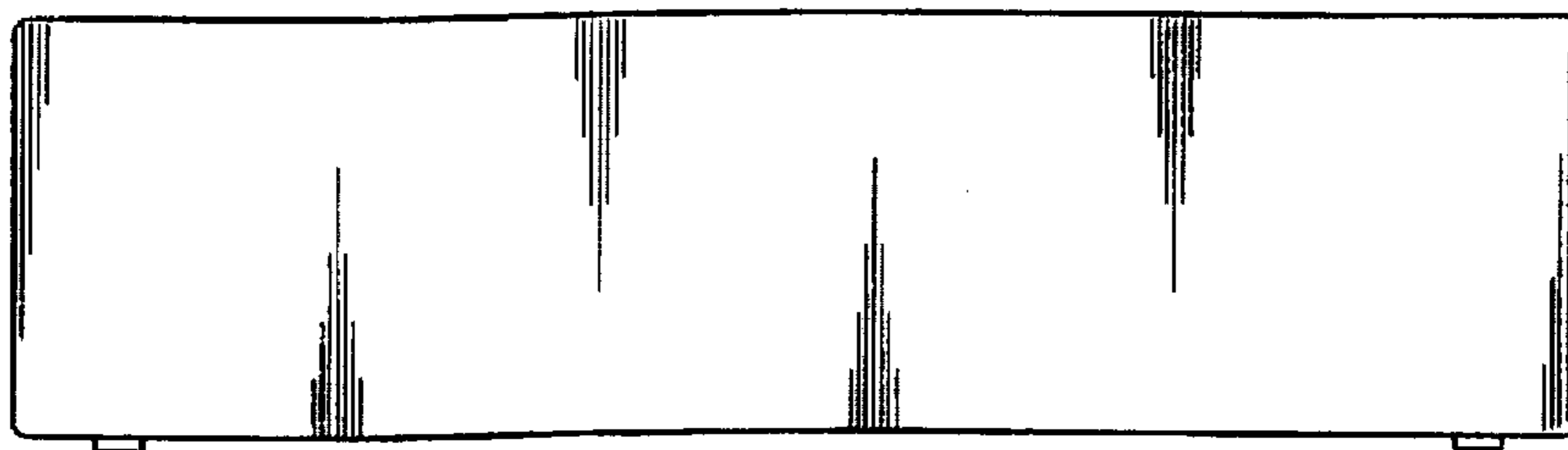


FIG. 6

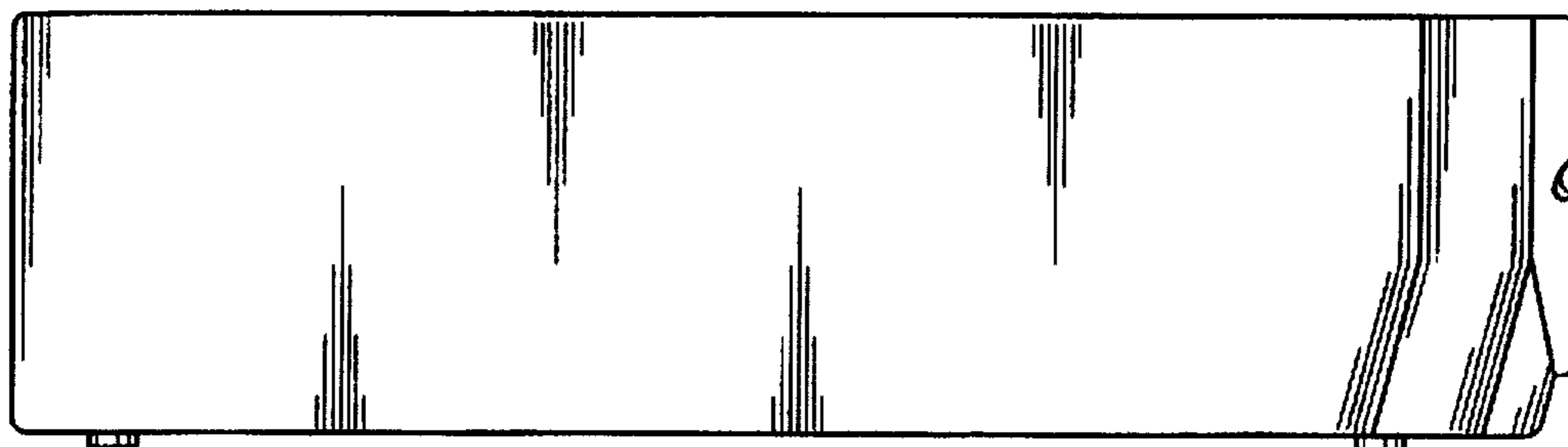


FIG. 7

