



US00D386750S

# United States Patent [19]

Esslinger et al.

[11] Patent Number: Des. 386,750

[45] Date of Patent: \*\*Nov. 25, 1997

[54] **DESKTOP COMPUTER**

[75] Inventors: **Hartmut H. Esslinger**, Los Gatos;  
**Mark Friesen**, Palo Alto; **Gadi Amit**,  
Mountain View, all of Calif.

[73] Assignee: **Packard Bell Electronics, Inc.**,  
Westlake Village, Calif.

[\*\*] Term: **14 Years**

[21] Appl. No.: **39,624**

[22] Filed: **Jun. 1, 1995**

[51] LOC (6) Cl. .... **14-02**

[52] U.S. Cl. .... **D14/100**

[58] Field of Search ..... D14/100, 102,  
D14/107-109; D13/162, 184, 199; D6/432,  
436, 445, 448; 312/208.1; 360/97.01, 97.04,  
98.01; 361/694, 696; 369/34, 36

[56] **References Cited**

**U.S. PATENT DOCUMENTS**

D. 338,451	8/1993	Toedter	.....	D14/100
D. 342,943	1/1994	Wettrin	.....	D14/100
D. 344,070	2/1994	Gluskoter et al.	.....	D14/100
D. 348,253	6/1994	Gluskoter	.....	D14/100
D. 350,945	9/1994	Hill et al.	.....	D14/109
D. 351,146	10/1994	Hill et al.	.....	D14/109
D. 354,523	1/1995	Hiraoka et al.	.....	D14/109 X
D. 367,850	3/1996	Esslinger	.....	D14/100
D. 370,208	5/1996	Esslinger	.....	D14/100

**OTHER PUBLICATIONS**

Canadian Industrial Design Registration No. 70,363 for a  
"Computer Case," registered Mar. 31, 1992 in the name of  
Elonex PLC.

Asian Sources Computer Products, Sunlan Electronics Corp.  
Advertisement, Oct. 1993, p. 223.

*Primary Examiner*—Freda Nunn  
*Attorney, Agent, or Firm*—Wilson Sonsini Goodrich &  
Rosati

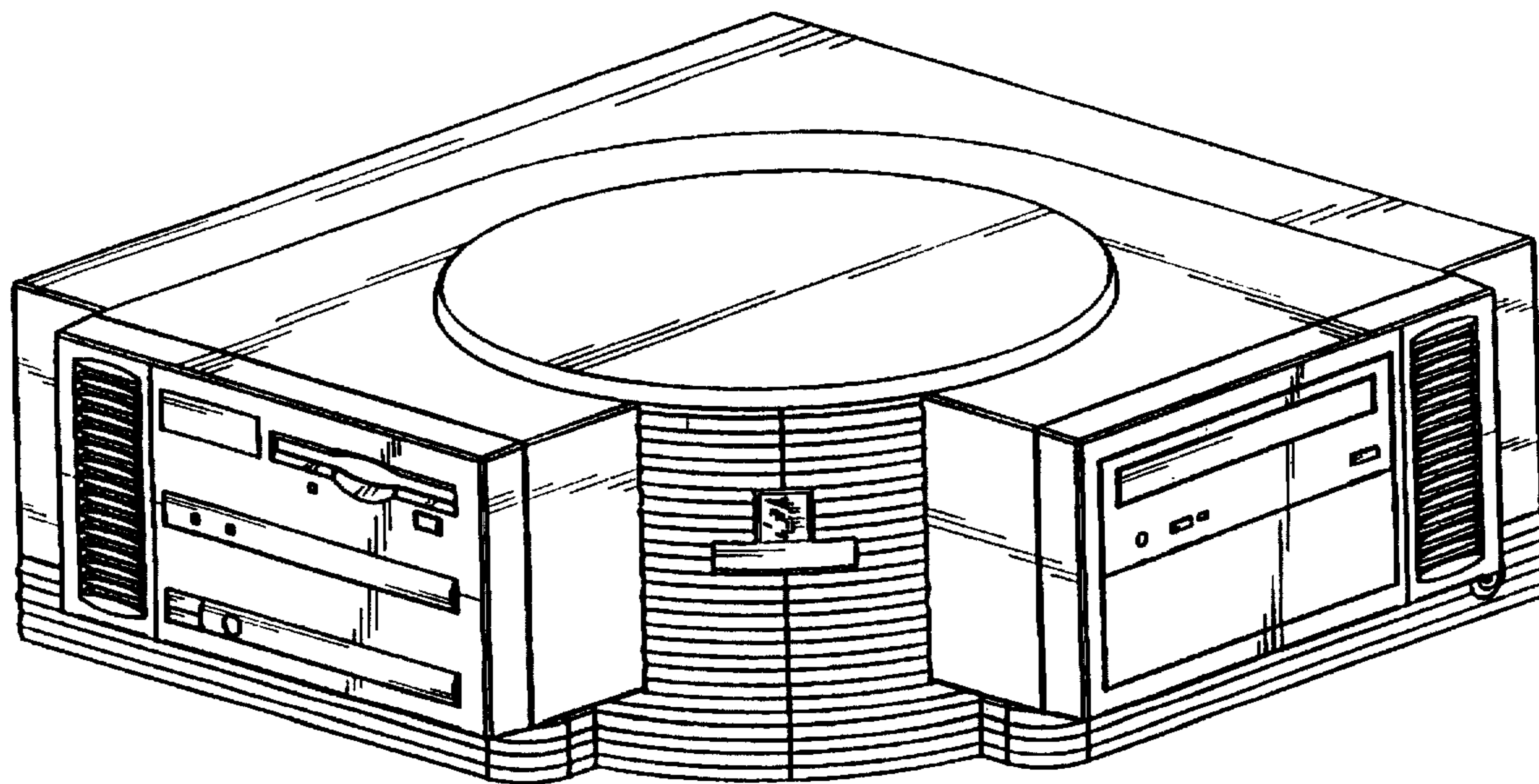
[57] **CLAIM**

The ornamental design for a desktop computer, as shown  
and described.

**DESCRIPTION**

FIG. 1 is a top, front and right side perspective view of a  
desktop computer showing our new design;  
FIG. 2 is a front elevation thereof;  
FIG. 3 is a right side elevation thereof;  
FIG. 4 is a left side elevation thereof;  
FIG. 5 is a back elevation thereof;  
FIG. 6 is a top plan view thereof;  
FIG. 7 is a bottom plan view thereof;  
FIG. 8 is a top, front and right side perspective view of a  
desktop computer showing a second embodiment of our new  
design;  
FIG. 9 is a front elevation thereof;  
FIG. 10 is a right side elevation thereof;  
FIG. 11 is a left side elevation thereof;  
FIG. 12 is a back elevation thereof;  
FIG. 13 is a top plan view thereof; and,  
FIG. 14 is a bottom plan view thereof.

**1 Claim, 14 Drawing Sheets**



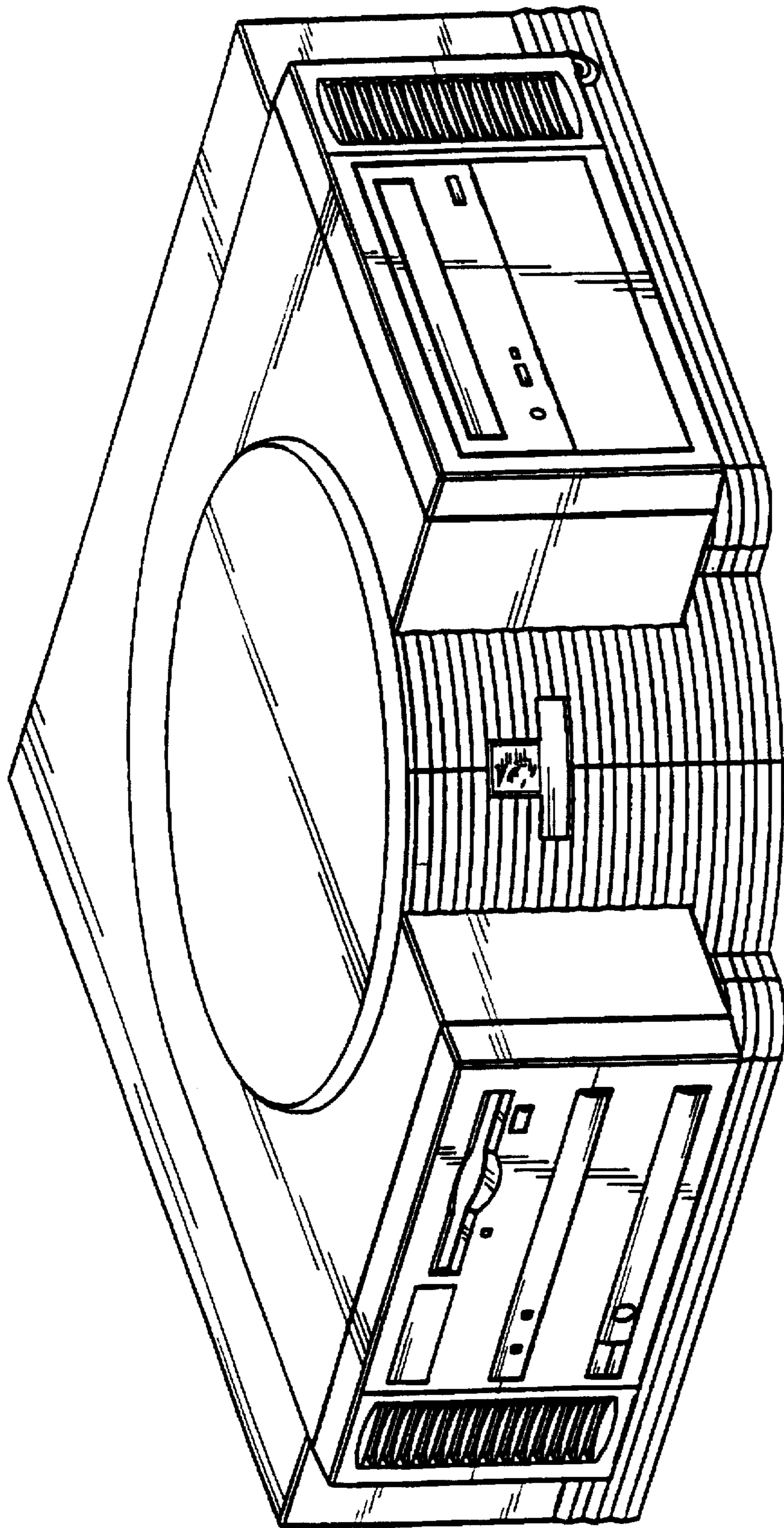


FIG. 1

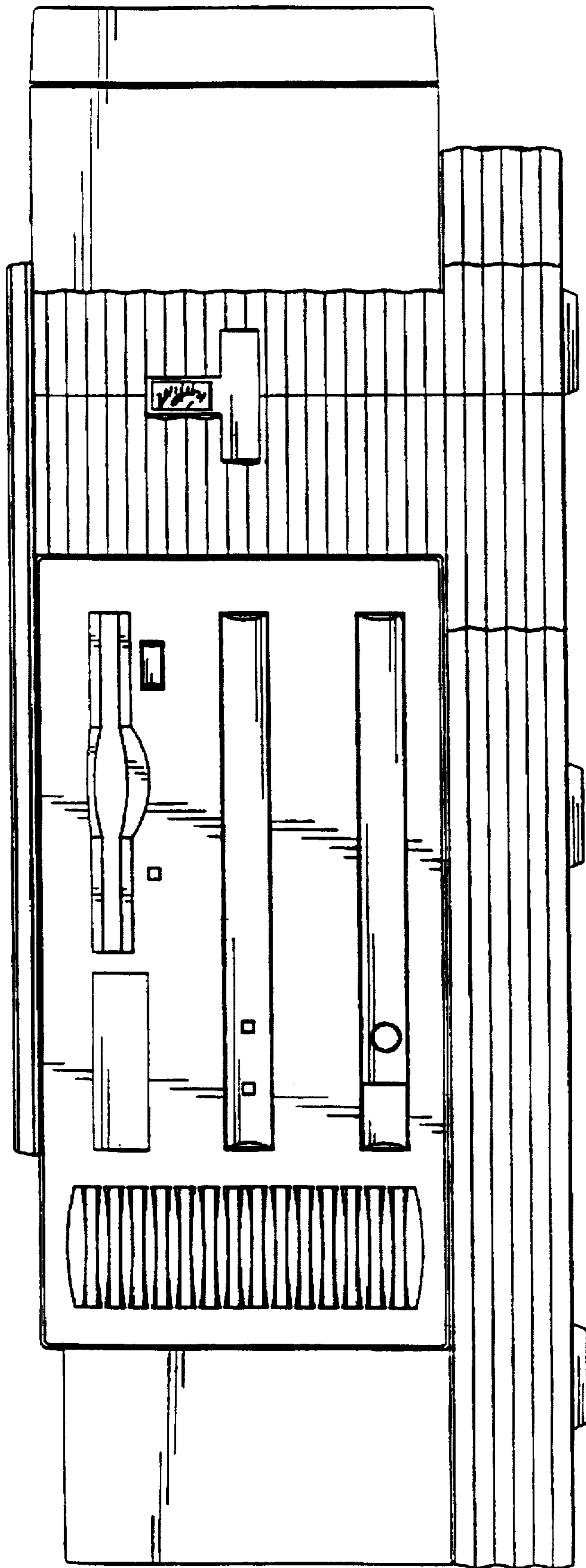


FIG. 2

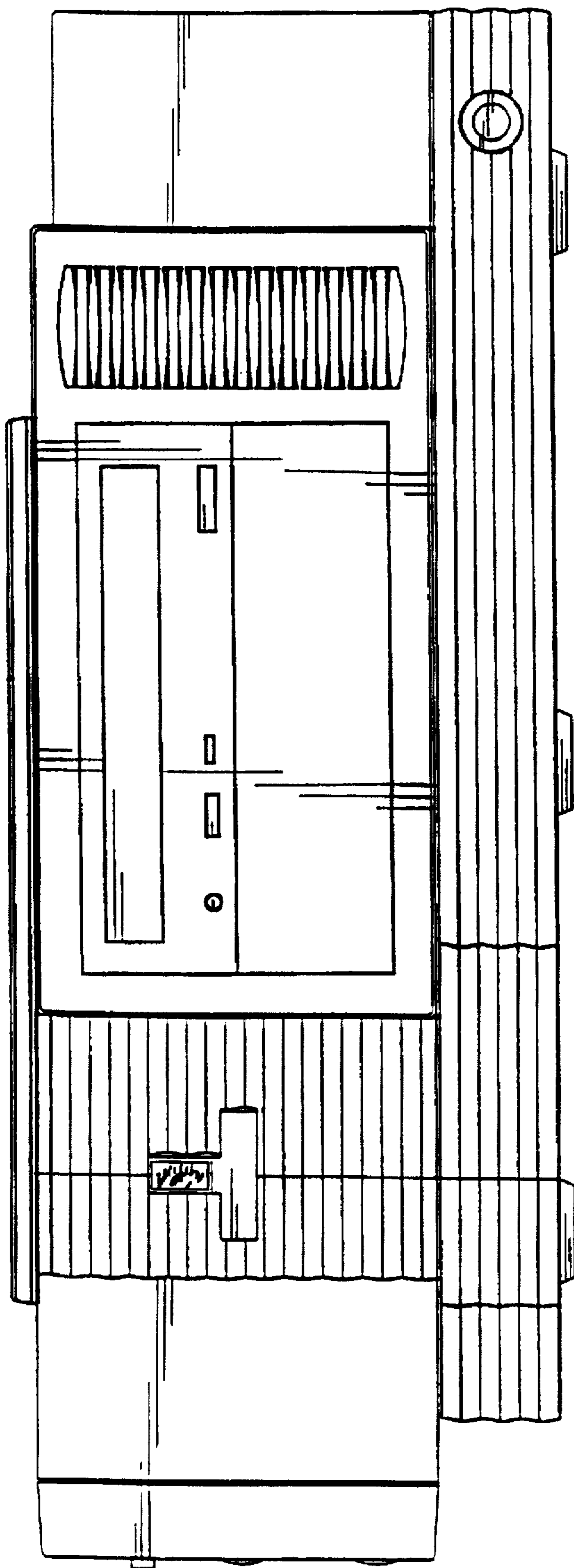


FIG. 3

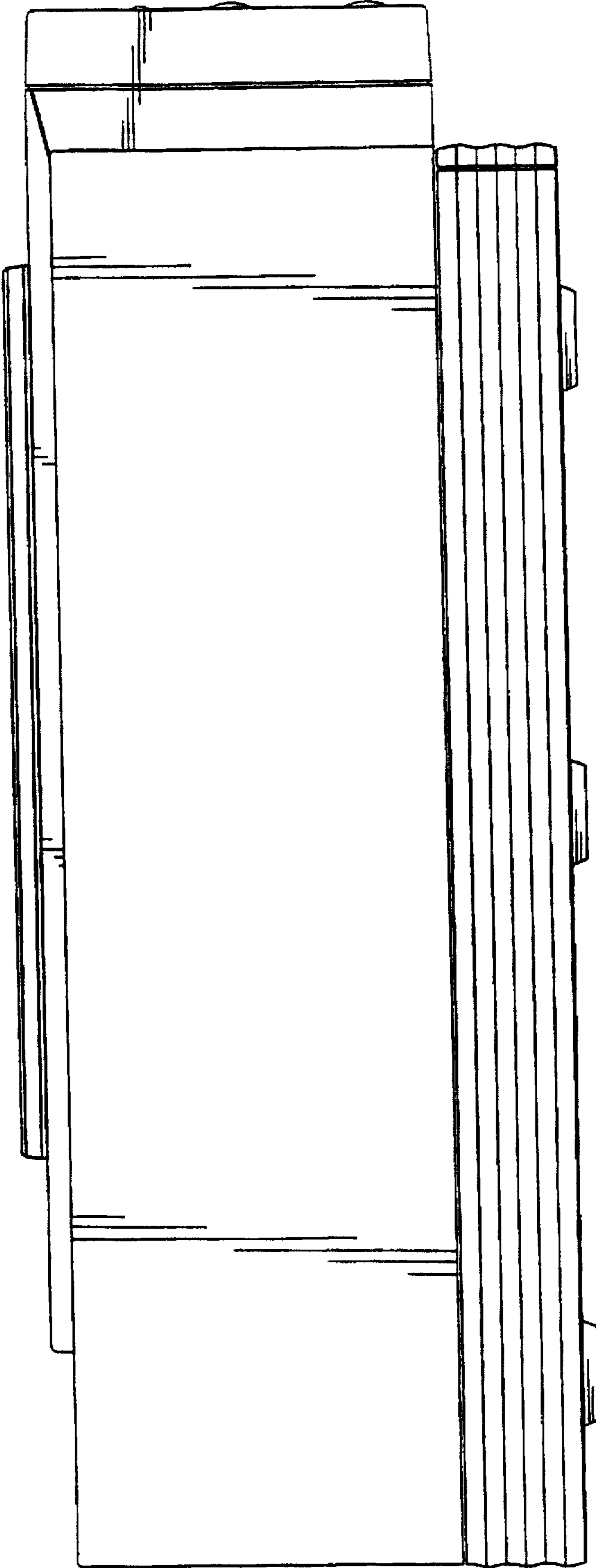


FIG. 4

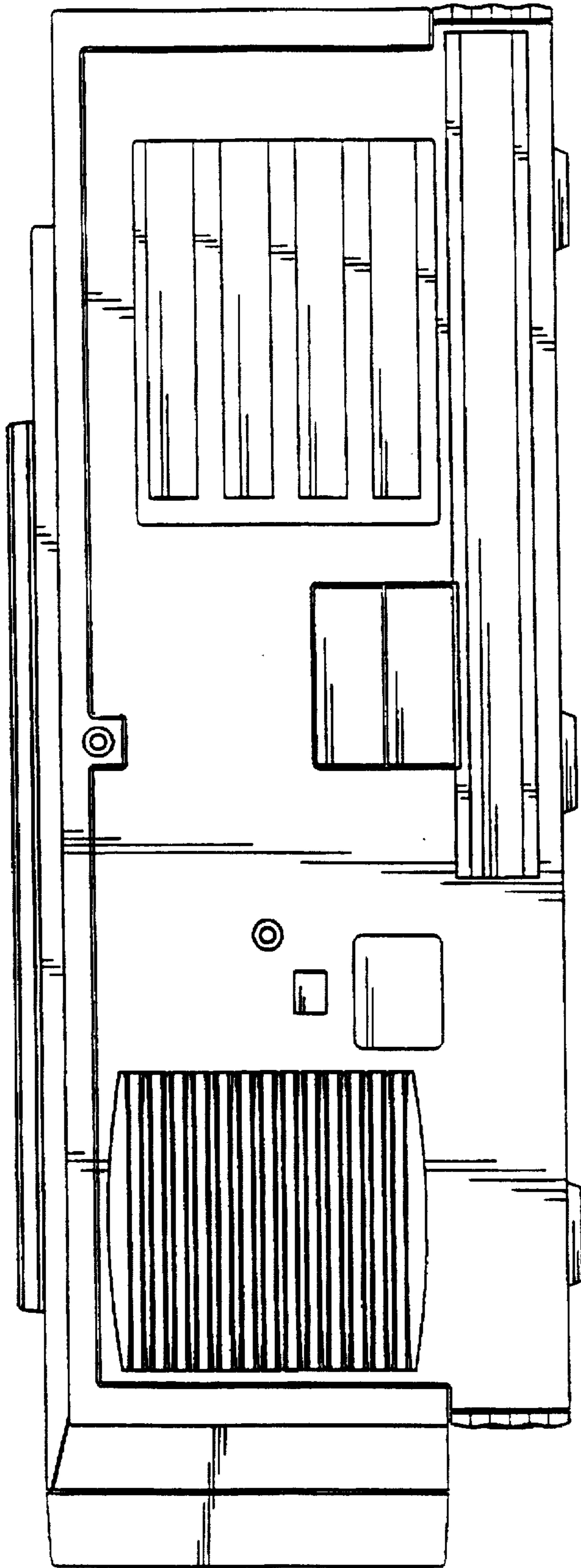


FIG. 5

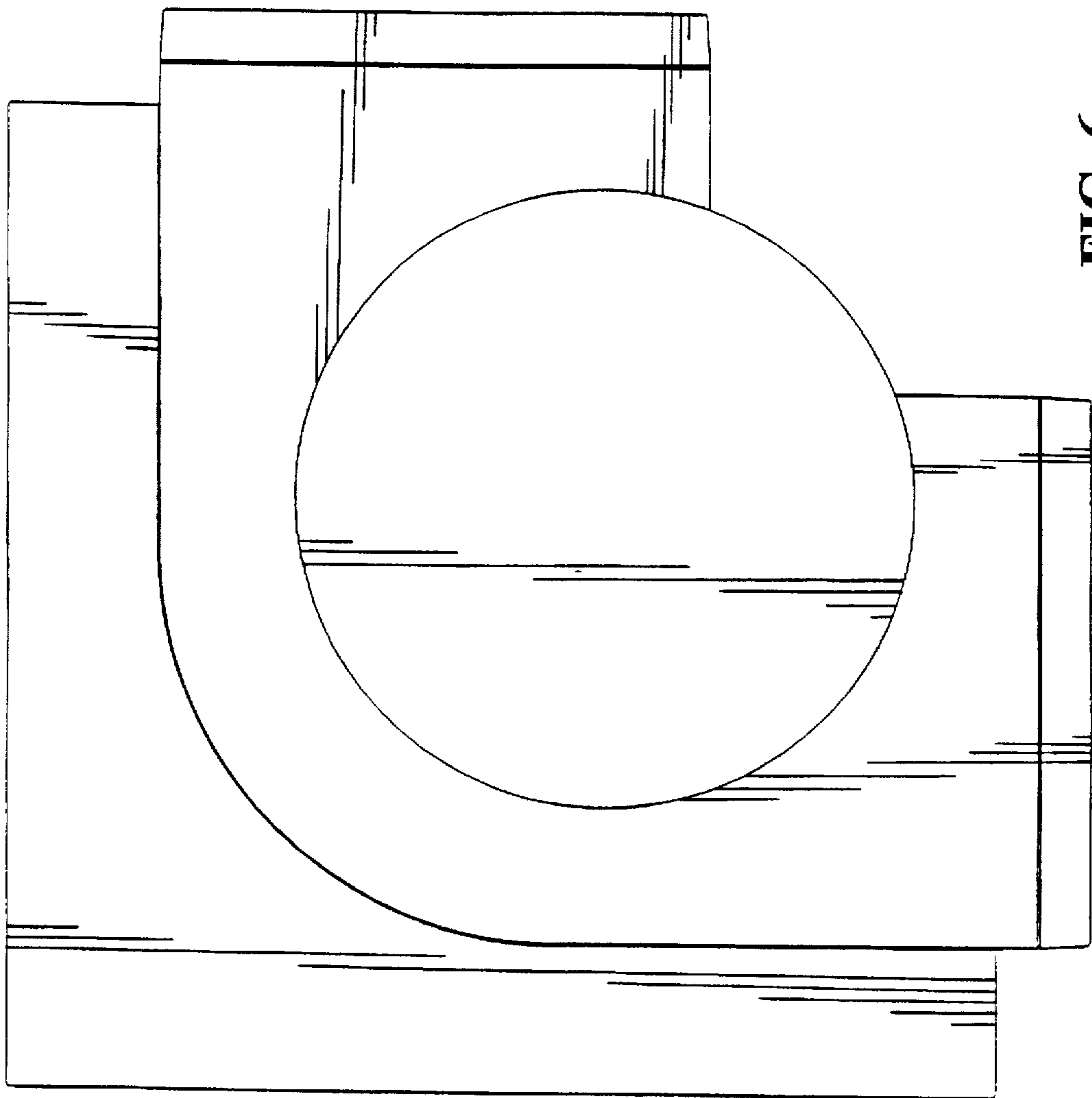


FIG. 6

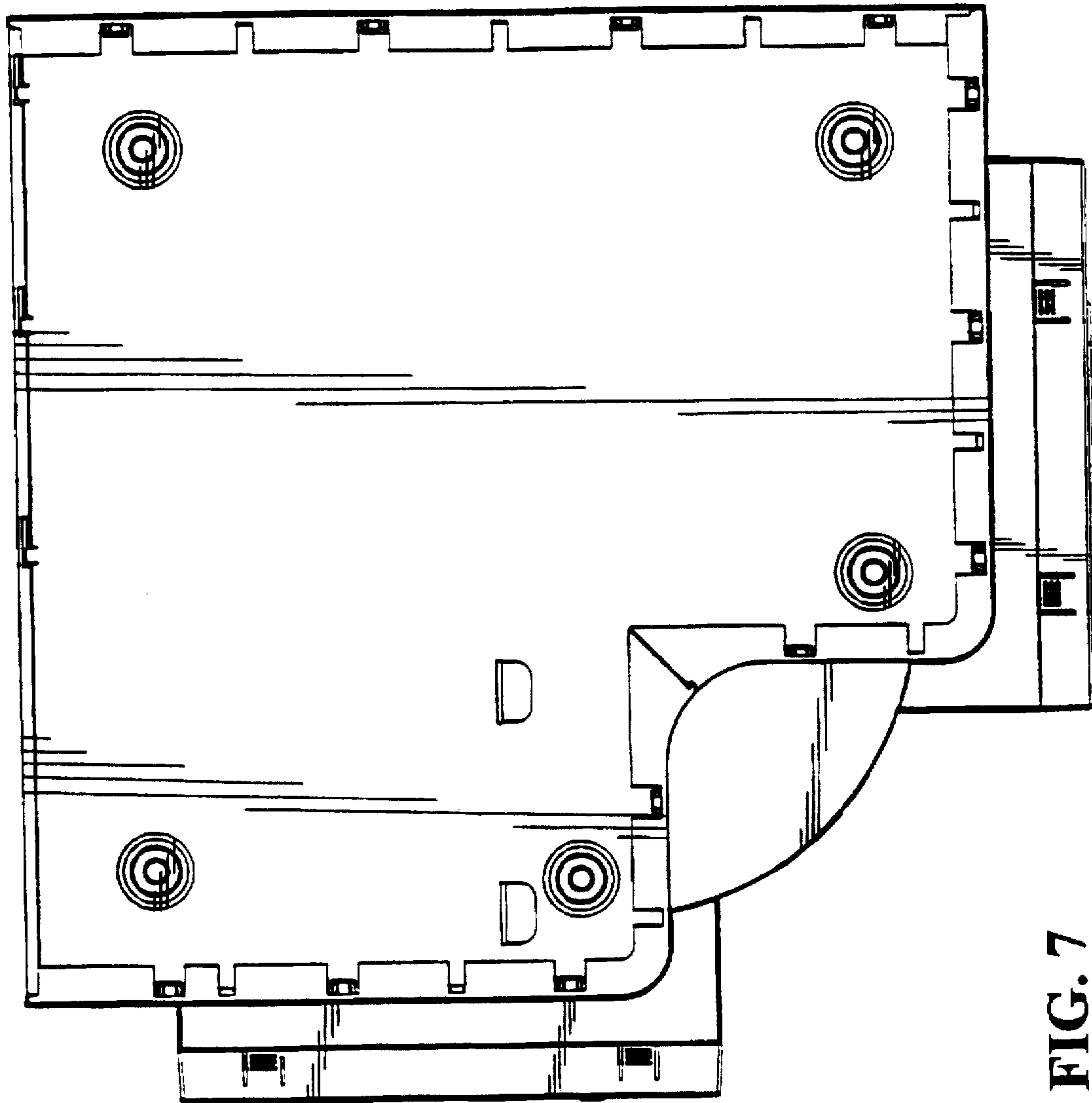


FIG. 7



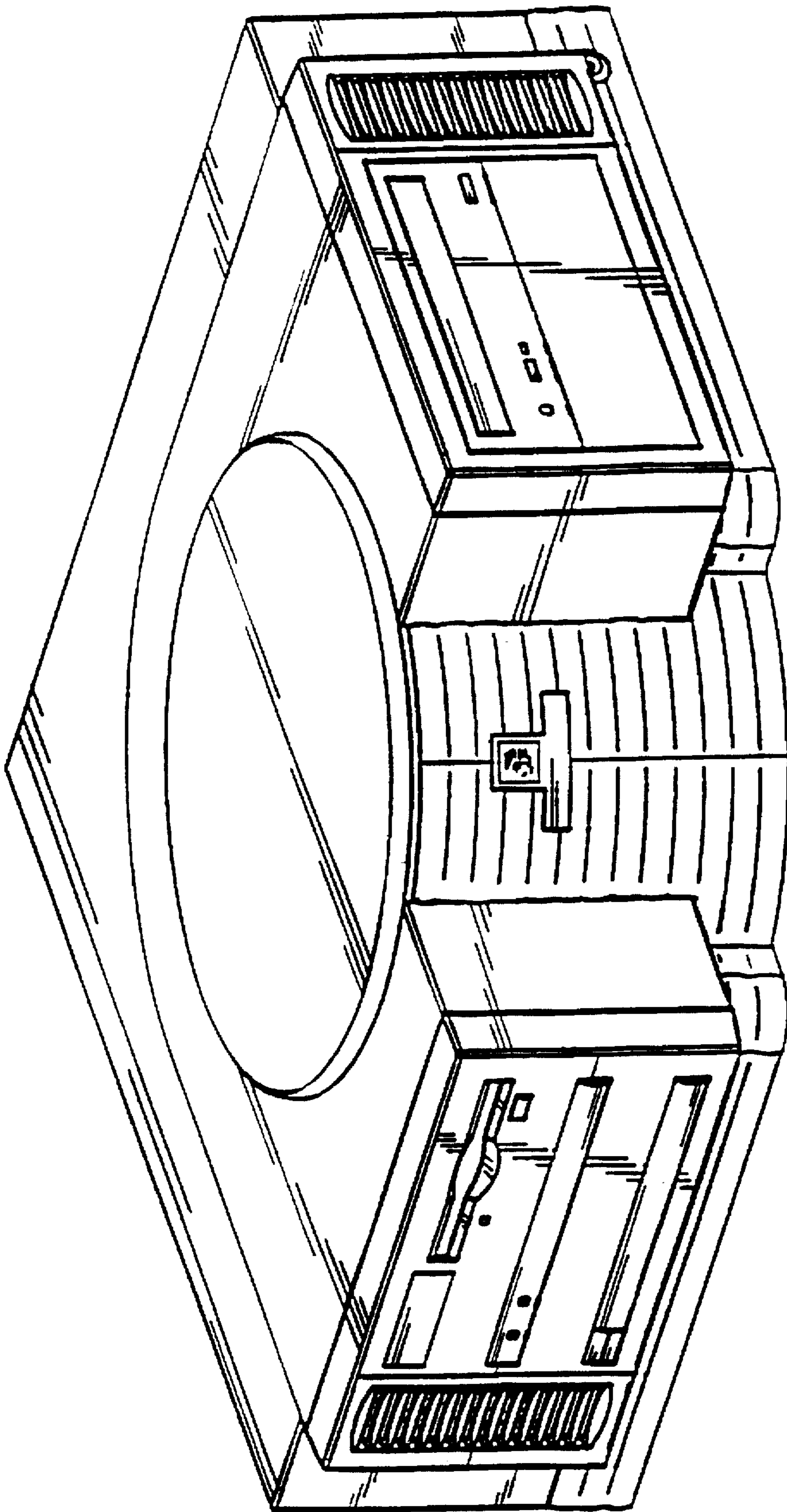


FIG. 8

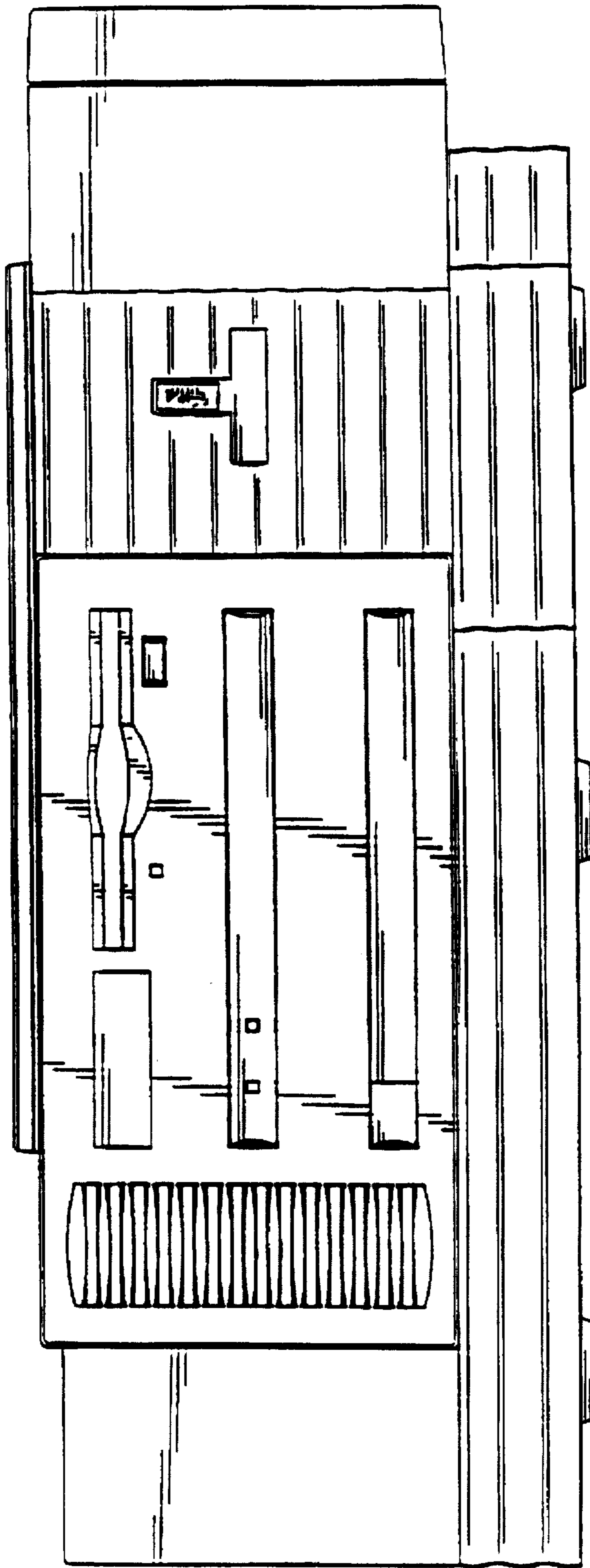


FIG. 9

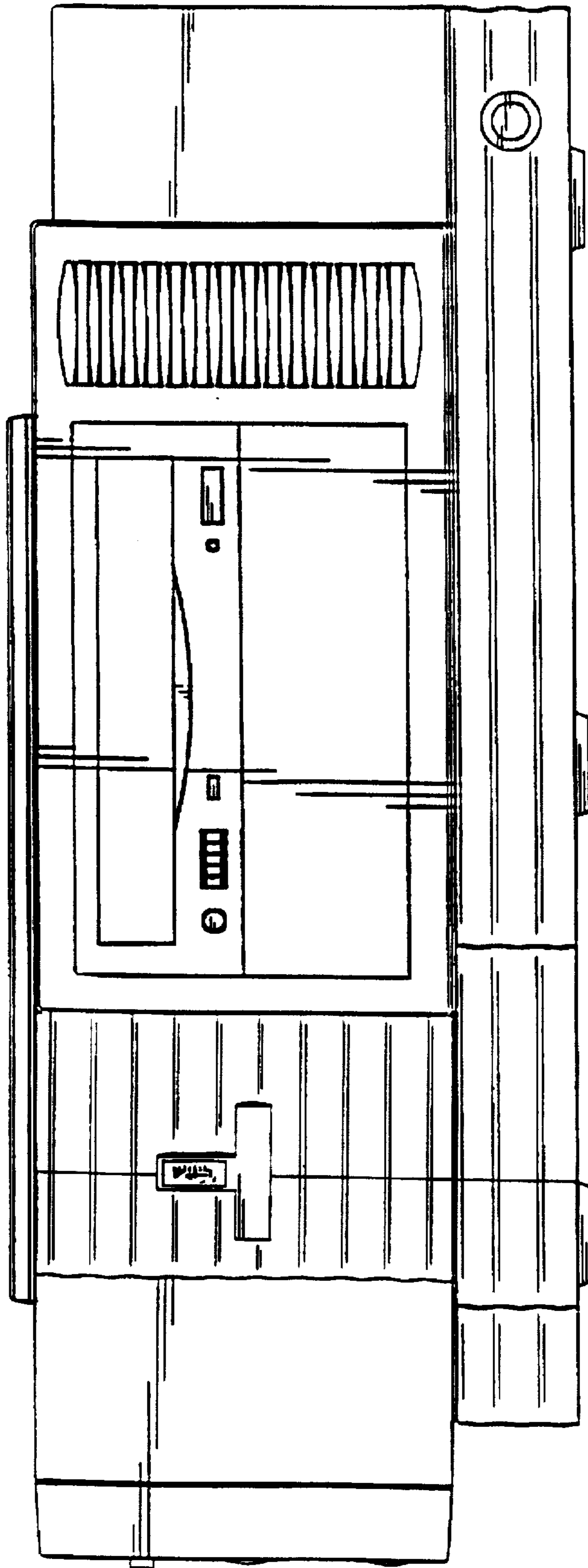


FIG. 10

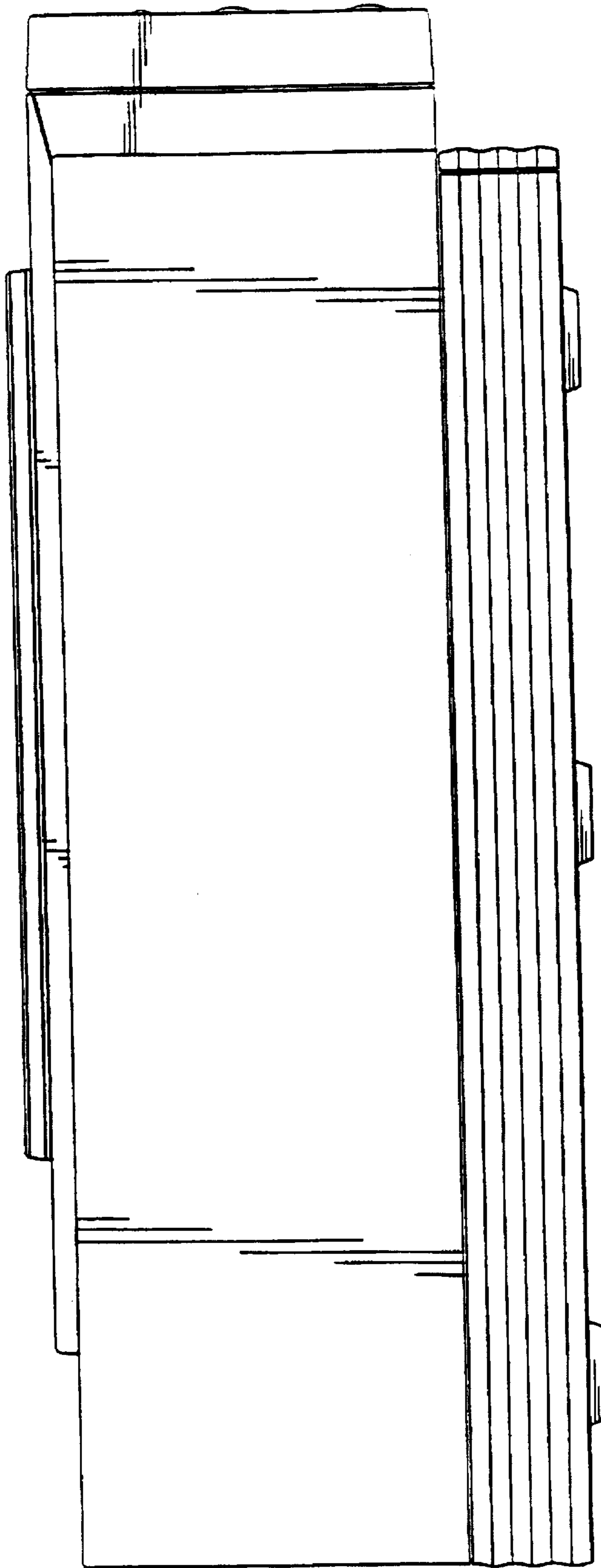


FIG. 11

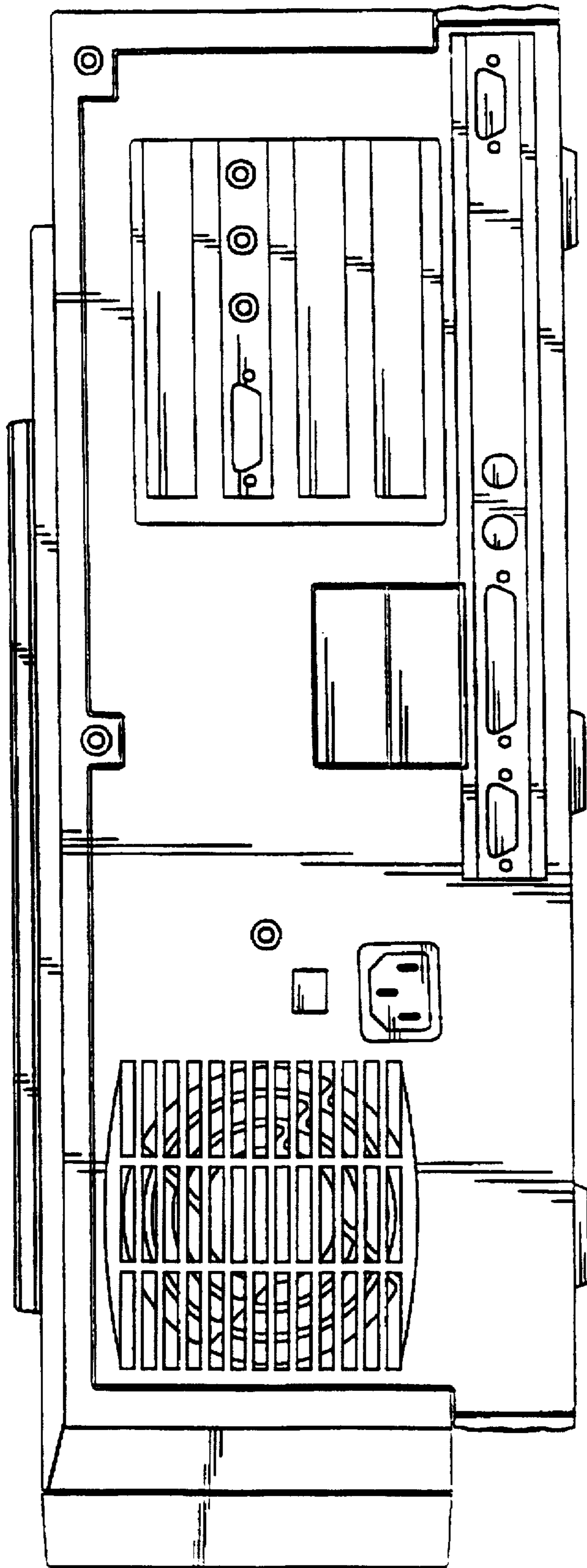


FIG. 12

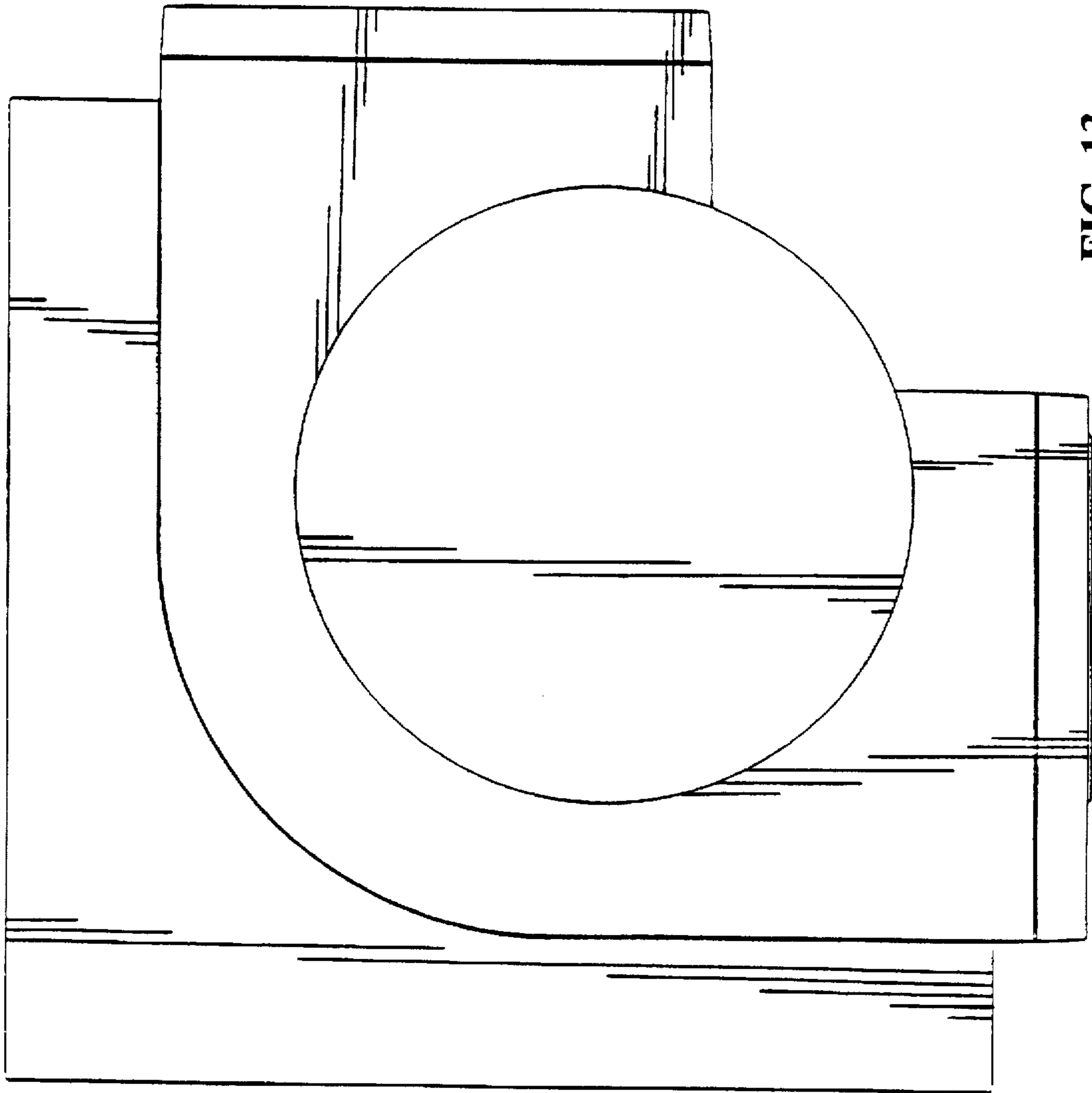


FIG. 13

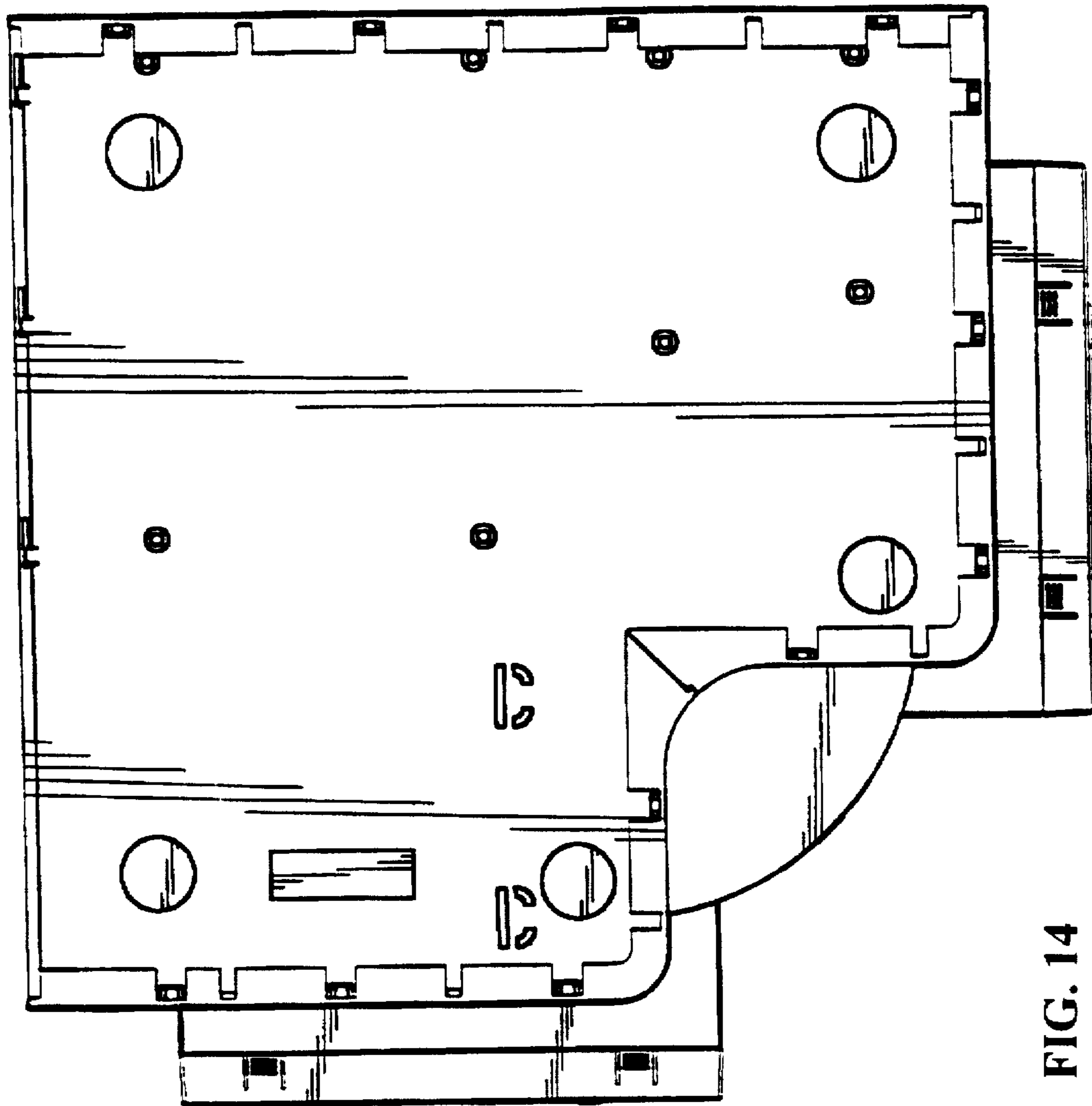


FIG. 14