



US00D386745S

United States Patent [19]

Kobylarz et al.

[11] Patent Number: Des. 386,745

[45] Date of Patent: **Nov. 25, 1997

[54] QUICK RELEASE OUTBOARD BATTERY CLASP FOR A COMPACT WIRELESS TELEPHONE

[75] Inventors: Daniel E. Kobylarz, Bloomington; Barry Voroba, Minnetonka; Steven Maser, Hinckley, all of Minn.

[73] Assignee: MicroTalk Technologies, Inc., Minnetonka, Minn.

[**] Term: 14 Years

[21] Appl. No.: 24,738

[22] Filed: Jun. 20, 1994

[51] LOC (6) Cl. 13-02

[52] U.S. Cl. D13/119

[58] Field of Search D13/119; D14/137, D14/138; D8/323; 455/89, 90, 348; 379/428, 454; 429/96, 98, 100; 368/10, 13

4,800,543	1/1989	Lyndon-James et al.	
4,803,473	2/1989	Taylor	340/693
4,847,818	7/1989	Olsen	379/428 X
4,885,728	12/1989	Gosselin	368/10
4,930,148	5/1990	Lee	
4,942,617	7/1990	Boylan	381/182
4,969,180	11/1990	Watterson et al.	
5,008,864	4/1991	Yoshitake	368/10
5,048,092	9/1991	Yamagishi et al.	381/187
5,054,051	10/1991	Hoff	
5,113,428	5/1992	Fitzgerald	
5,214,623	5/1993	Saeger	368/10
5,218,577	6/1993	Saeger	368/10
5,224,076	6/1993	Thorp	368/10
5,239,521	8/1993	Blonder	368/10
5,251,189	10/1993	Thorp	368/4
5,251,329	10/1993	Takagi et al.	455/89
5,260,915	11/1993	Houlihan	368/10
5,274,613	12/1993	Saeger	368/13

FOREIGN PATENT DOCUMENTS

1132201	6/1962	Germany	429/98
---------	--------	---------	--------

OTHER PUBLICATIONS

Panasonic-Technics Show Update article, dated Jun. 1993. 2 pages.

Primary Examiner—Joel Sincavage

Attorney, Agent, or Firm—Mueiting, Raasch, Gebhardt & Schwappach, P.A.

[57] CLAIM

The ornamental design for a quick release outboard battery clasp for a compact wireless telephone; as shown and described.

DESCRIPTION

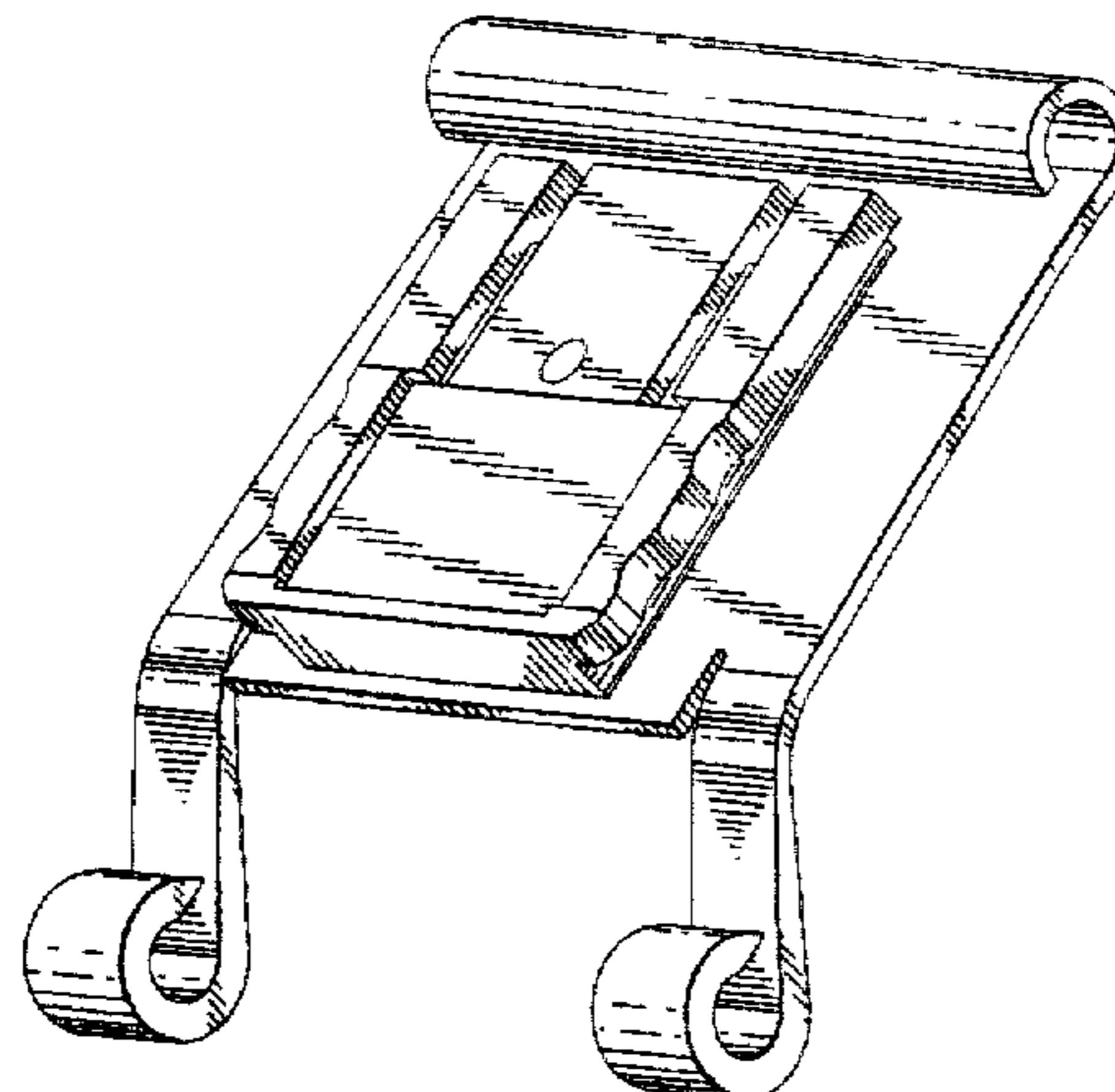
FIG. 1 is a view in perspective of the quick release outboard battery clasp for a compact wireless telephone;
 FIG. 2 is a top plan view;
 FIG. 3 is a front elevation view;
 FIG. 4 is a side elevation view showing the left side;
 FIG. 5 is a side elevation view showing the right side;
 FIG. 6 is a rear elevation view;
 FIG. 7 is a bottom plan view; and,
 FIG. 8 is a perspective view from the front and upper left of FIG. 1.

1 Claim, 8 Drawing Sheets

[56] References Cited

U.S. PATENT DOCUMENTS

D. 210,462	3/1968	Roberts et al.	D26/14
D. 249,508	9/1978	Coughlin et al.	D14/37
D. 273,307	4/1984	Yamagami	D18/7
D. 293,097	12/1987	Alligood et al.	D13/103
D. 293,671	1/1988	Beaumont	D14/68
D. 297,946	10/1988	Kuo	D18/7
D. 309,306	7/1990	Weiser et al.	D14/249
D. 310,523	9/1990	Hino et al.	D14/137
D. 313,243	12/1990	Chimalamarri	D18/7
D. 318,865	8/1991	Ichikawa	D14/205
D. 326,450	5/1992	Watanabe	D14/138
D. 333,560	3/1993	Miyashita et al.	D3/30.1
D. 334,043	3/1993	Taniguchi	D21/205
D. 340,932	11/1993	Yan	D14/249
D. 352,706	11/1994	Hong	D14/137
D. 353,379	12/1994	Nakamura et al.	D14/223
2,478,887	8/1949	Nelson	429/100 X
3,032,651	5/1962	Gisiger-Stahli et al.	
4,342,105	7/1982	Dorfman	
4,435,088	3/1984	Dorfman	
4,471,493	9/1984	Schober	
4,586,827	5/1986	Hirsch et al.	
4,620,111	10/1986	McArthur et al.	307/150
4,646,872	3/1987	Kamon et al.	181/129
4,754,285	6/1988	Robitaille	



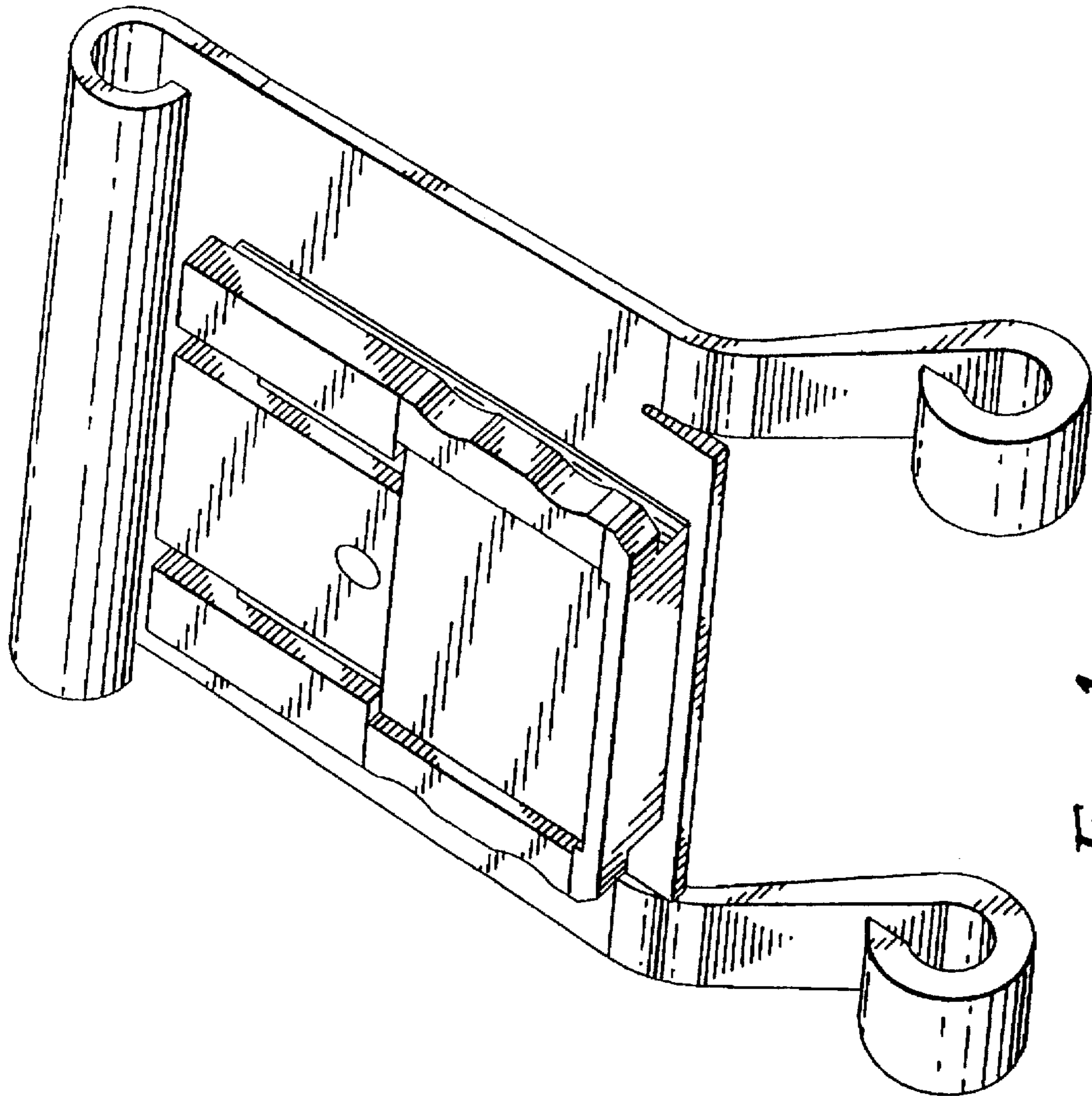


FIG. 1

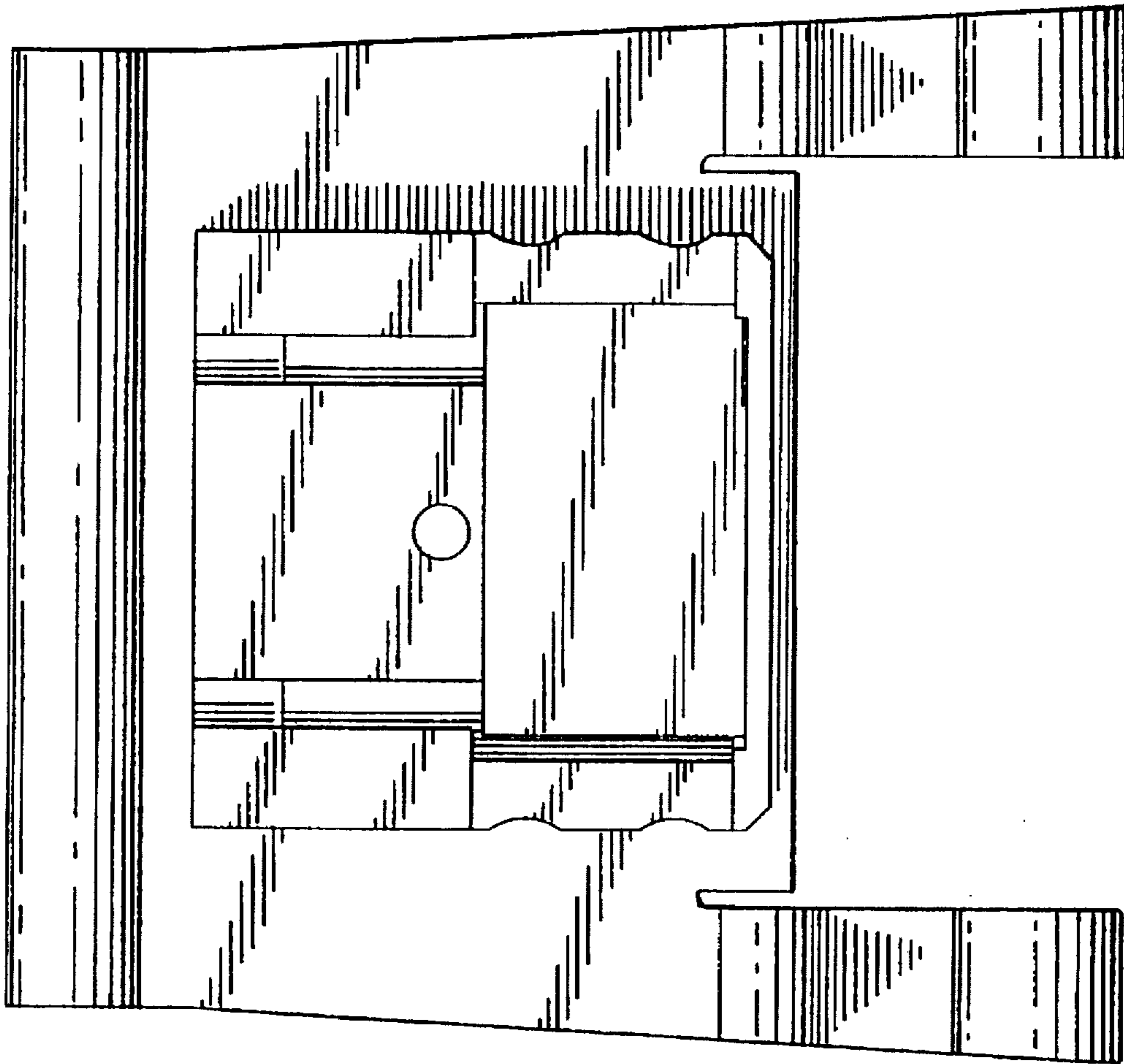


FIG. 2

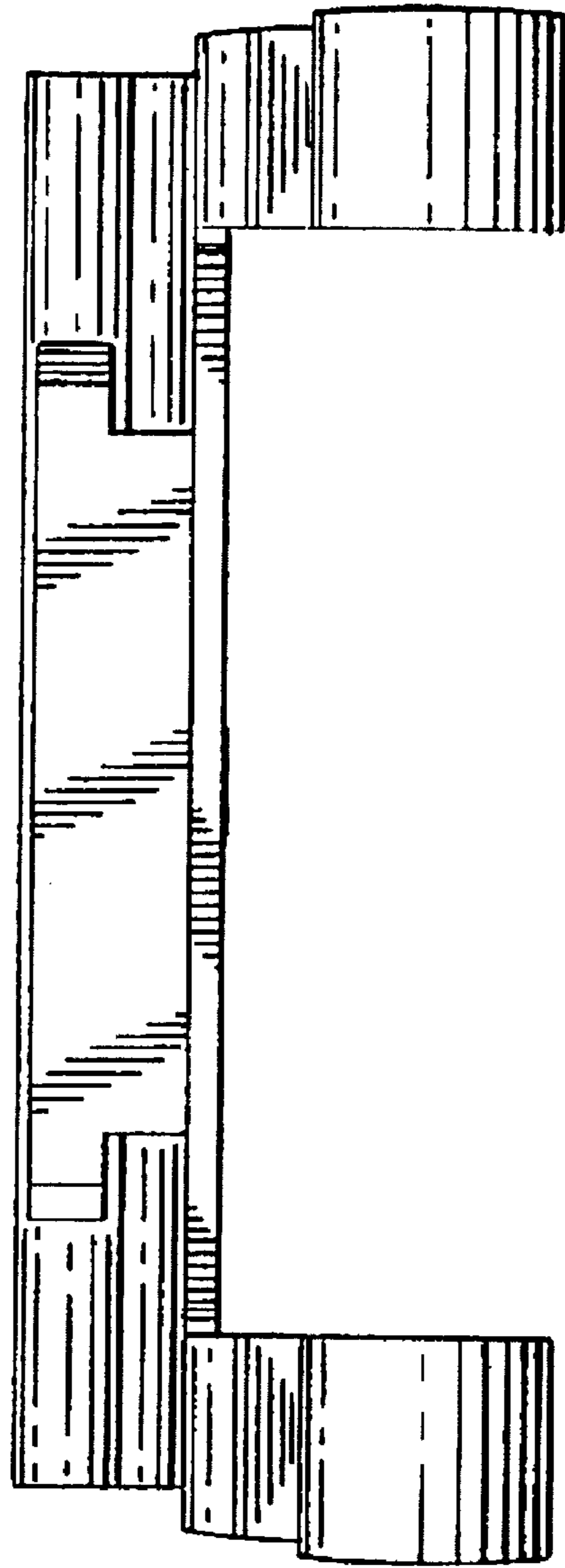


FIG. 3

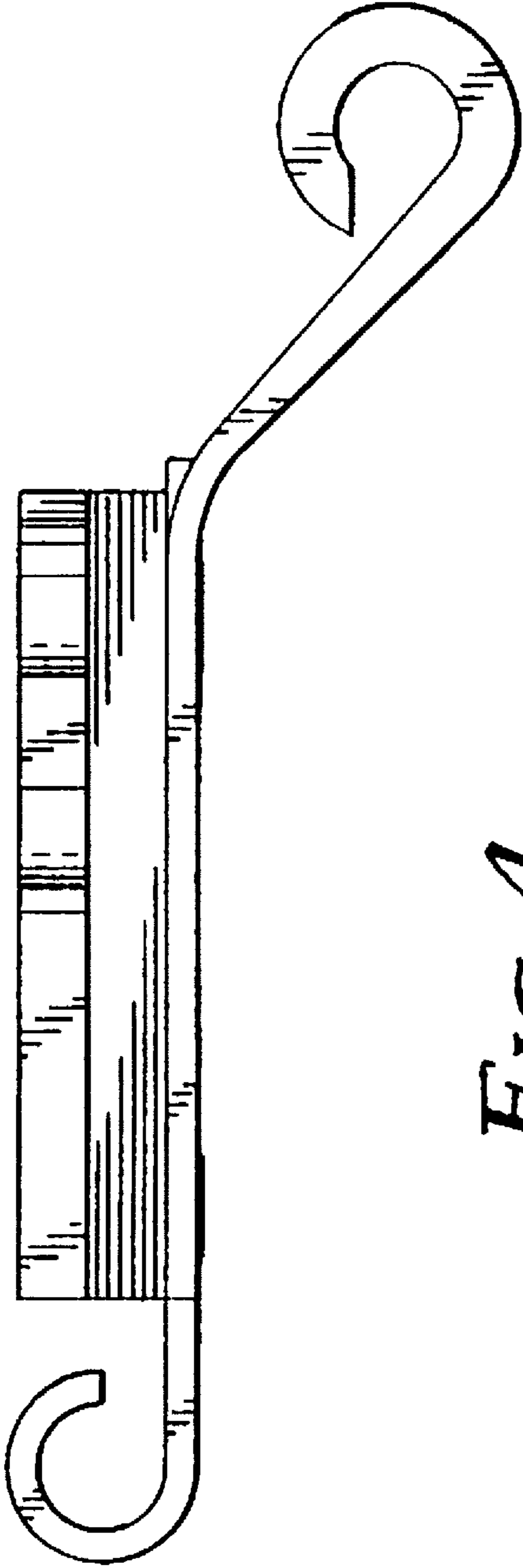


FIG. 4

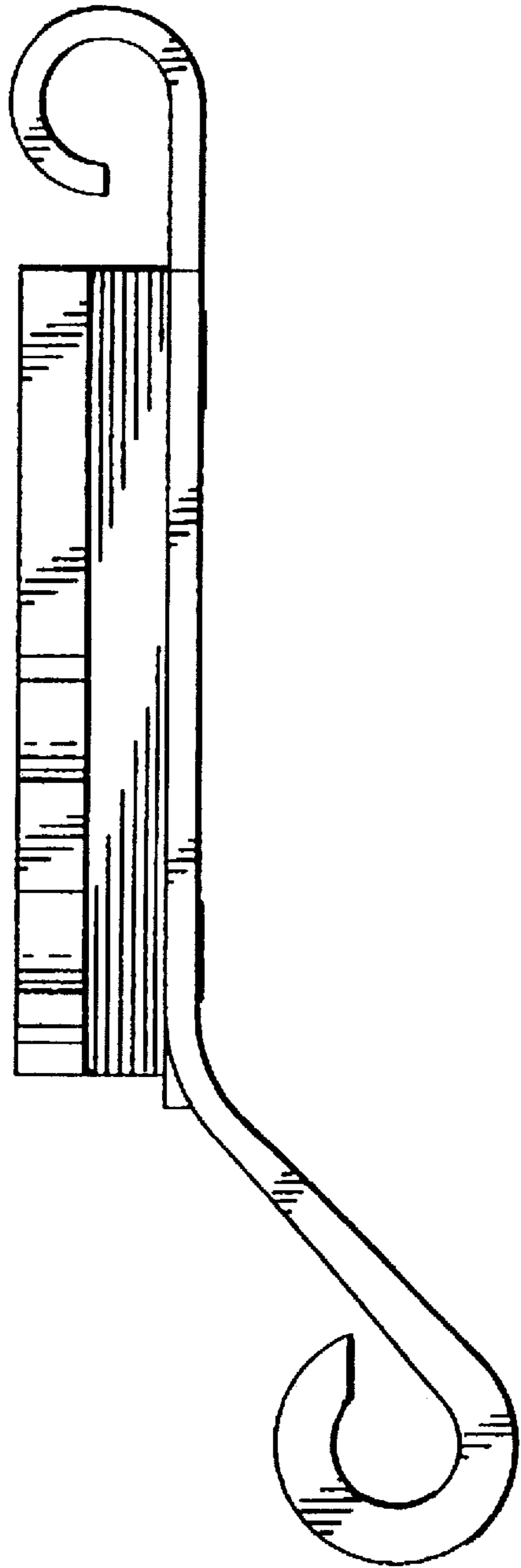


FIG. 5

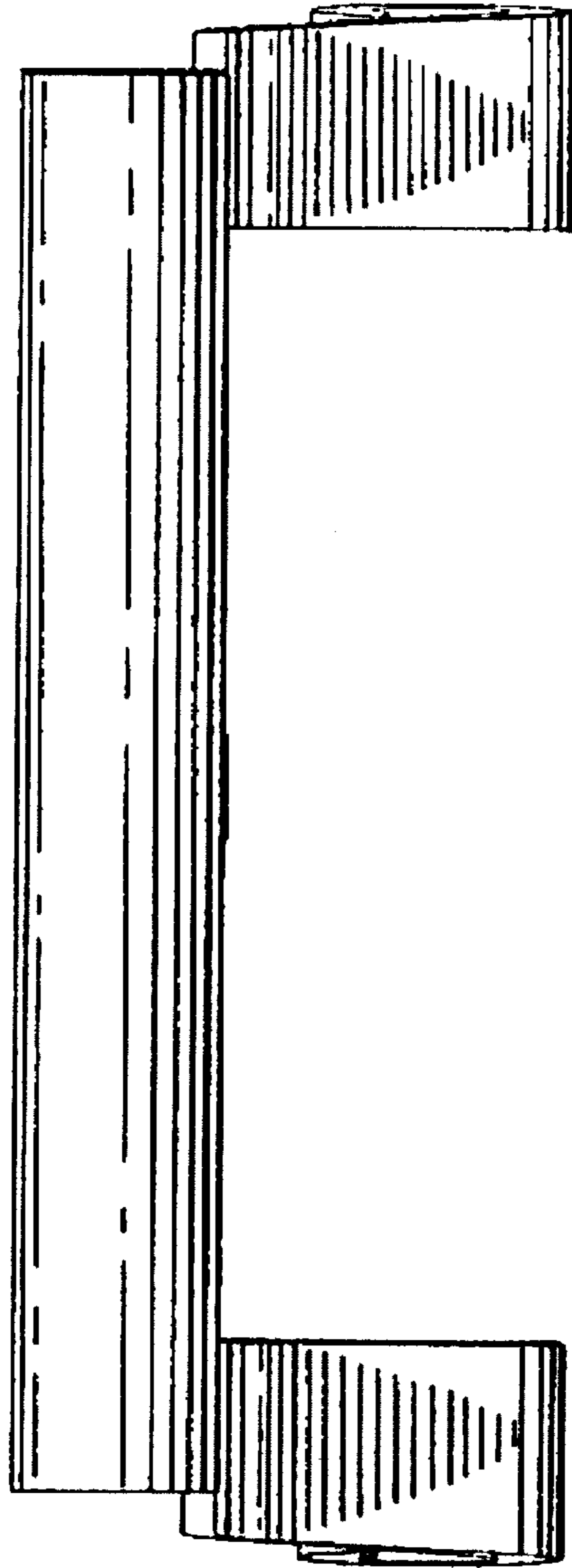


FIG. 6

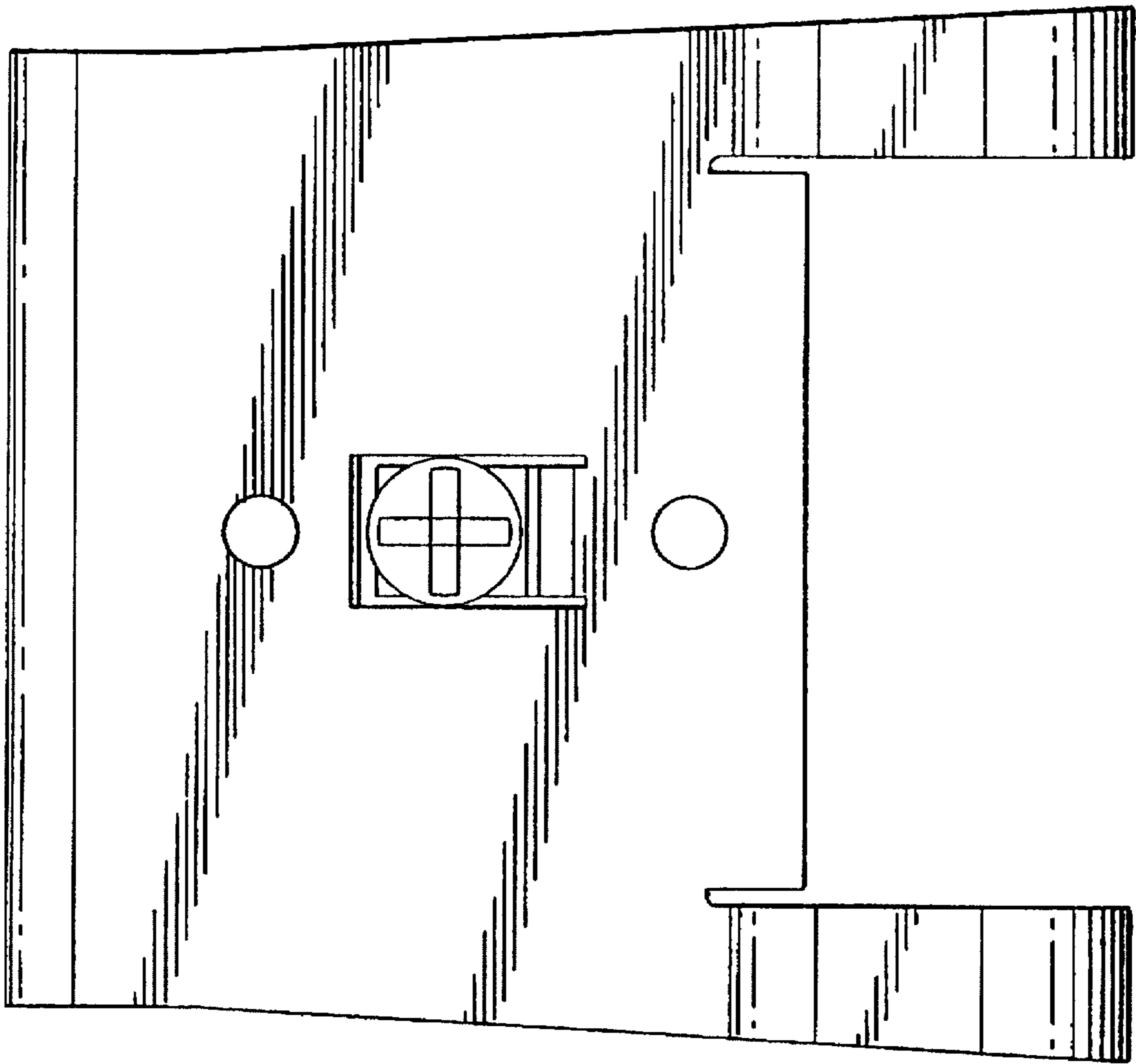


FIG. 7

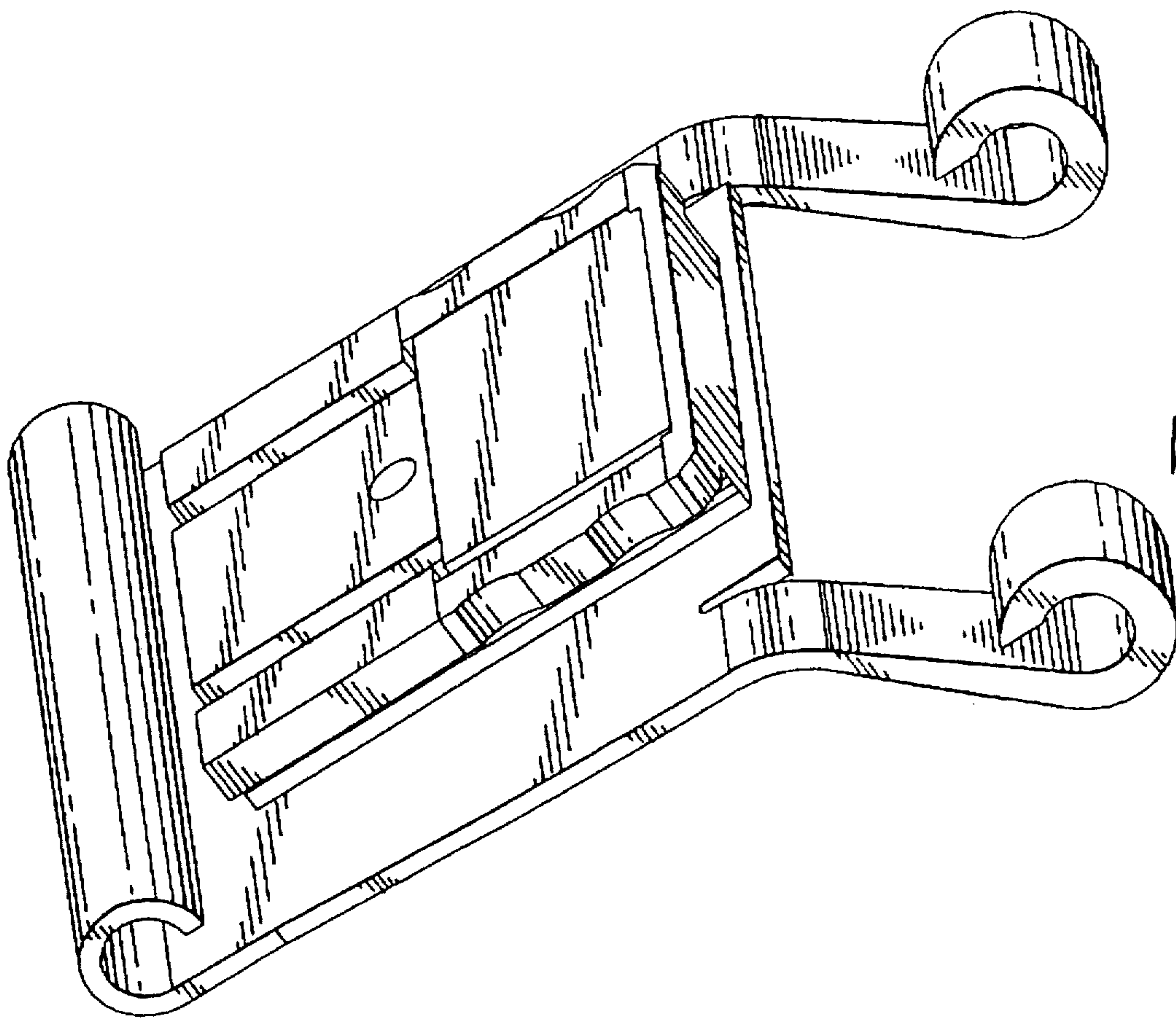


FIG. 8