



US00D386742S

# United States Patent [19]

Amero, Jr. et al.

[11] Patent Number: **Des. 386,742**

[45] Date of Patent: **\*\*Nov. 25, 1997**

[54] **BATTERY PACK FOR A PORTABLE COMMUNICATIONS DEVICE**

4,383,007	5/1983	Murphy	.....	429/96	X
4,996,128	2/1991	Aldecoa et al.	.....	429/163	X
5,075,182	12/1991	Weber	.....	429/96	
5,534,366	7/1996	Hwang et al.	.....	429/99	X

[75] Inventors: **Willard F. Amero, Jr.**, Flowery Branch; **Steven L. Hassenzahl**, Doraville, both of Ga.

*Primary Examiner*—Joel Sincavage  
*Attorney, Agent, or Firm*—Scott M. Garrett; Kenneth M. Massaroni

[73] Assignee: **Motorola, Inc.**, Schaumburg, Ill.

[\*\*] Term: **14 Years**

### [57] CLAIM

[21] Appl. No.: **54,728**

The ornamental design for a battery pack for a portable communications device, as shown and described.

[22] Filed: **May 20, 1996**

### DESCRIPTION

[51] LOC (6) Cl. .... **13-02**

[52] U.S. Cl. .... **D13/103**

[58] Field of Search ..... D13/103; 429/96-100, 429/163, 176

FIG. 1 is a top plan view of a battery pack for a portable communication device showing our new design; FIG. 2 is a bottom plan view thereof; FIG. 3 is a right side elevational view thereof; FIG. 4 is a left side elevational view thereof; FIG. 5 is a front elevational view thereof; FIG. 6 is a rear elevational view thereof; FIG. 7 is a top, right rear isometric view thereof; and, FIG. 8 is a top, left front isometric view thereof.

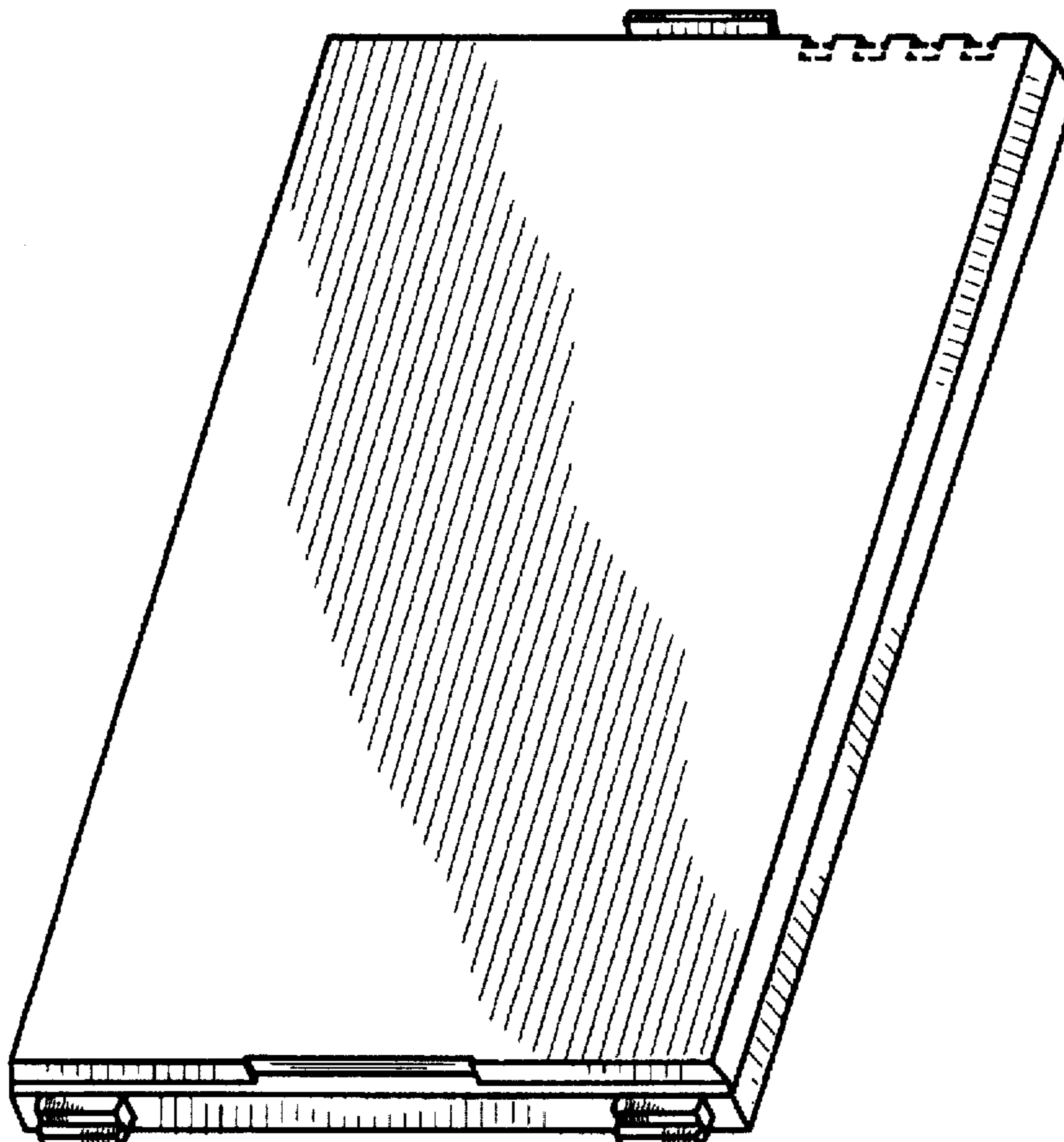
### [56] References Cited

#### U.S. PATENT DOCUMENTS

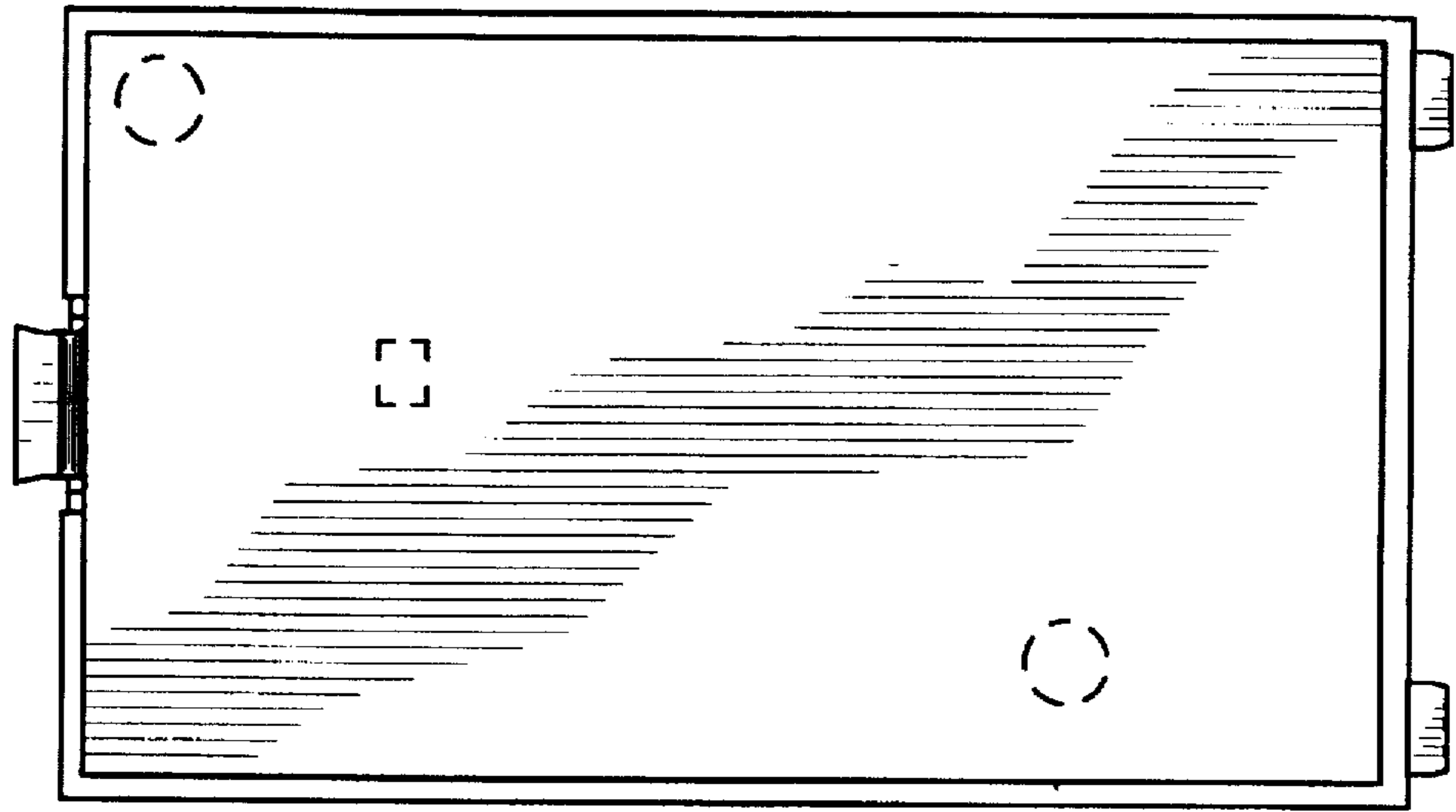
D. 281,968	12/1985	Thiele et al.	.....	D13/103
D. 349,882	8/1994	Johnson	.....	D13/103
D. 356,992	4/1995	Dilgard	.....	D13/103
D. 358,128	5/1995	Berry et al.	.....	D13/103
D. 367,640	3/1996	Nagele et al.	.....	D13/103
D. 375,962	11/1996	Nagele et al.	.....	D13/103

The broken line showing throughout the drawing figures is included for the purpose of illustrating environmental structure only and forms no part of the claimed design .

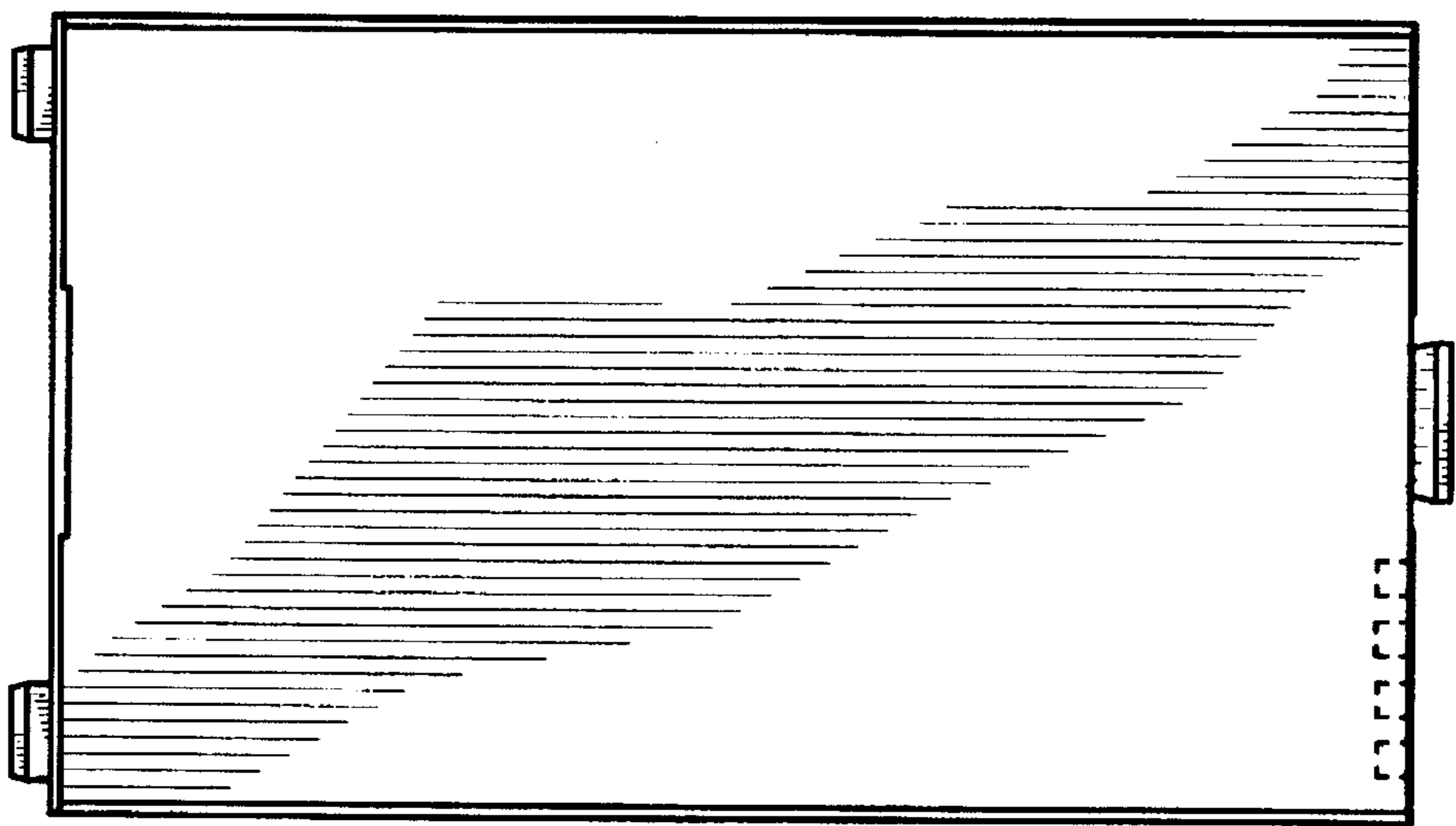
**1 Claim, 4 Drawing Sheets**



*FIG. 2*



*FIG. 1*



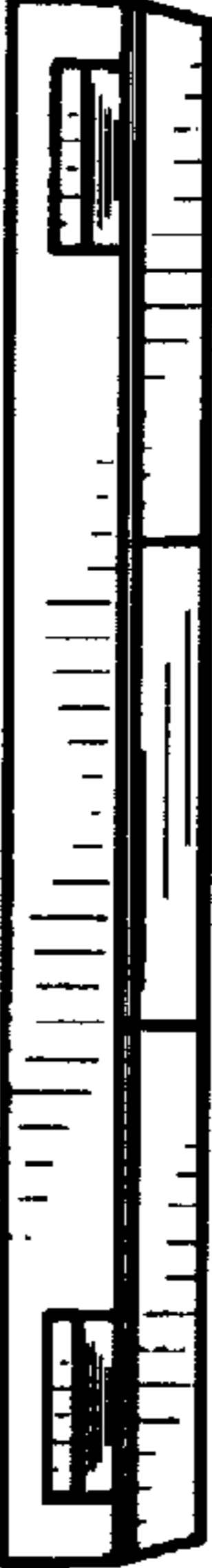
*FIG. 4*



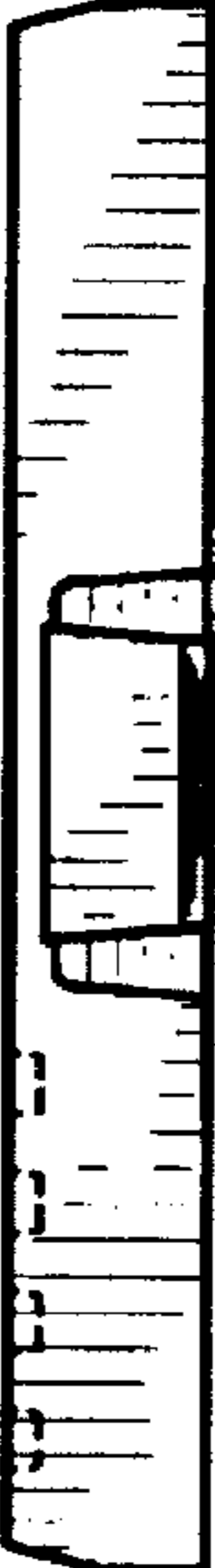
*FIG. 3*



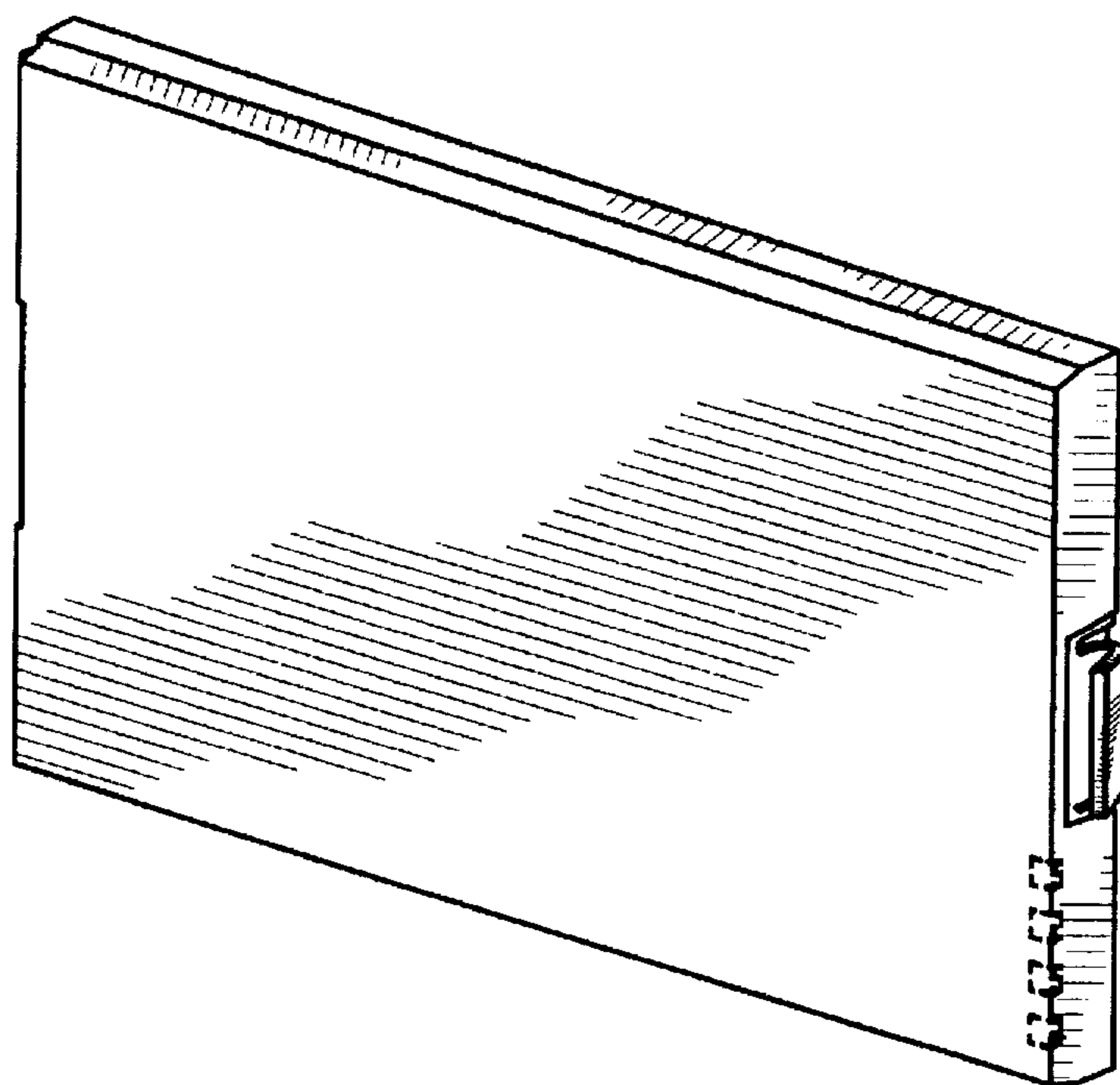
*FIG. 6*



*FIG. 5*



*FIG. 8*



*FIG. 7*

