



US00D386741S

United States Patent [19]

Semak

[11] Patent Number: Des. 386,741

[45] Date of Patent: **Nov. 25, 1997

[54] STORAGE UNIT

[76] Inventor: **Mark A. Semak**, 21 Harbour Drive, Stoney Creek, Ontario, Canada, L8G 3X5

[**] Term: 14 Years

[21] Appl. No.: 29,882

[22] Filed: Oct. 18, 1994

[51] LOC (6) Cl. 12-16

[52] U.S. Cl. D12/425

[58] Field of Search D12/423-425; D9/423-425; 296/37.1, 37.3, 37.6; 224/318-329, 311, 404, 411, 543, 551, 563, 569, 925

[56] **References Cited**

U.S. PATENT DOCUMENTS

- D. 259,413 6/1981 Rehkopf D12/423
- D. 261,499 10/1981 Sauber D12/423

- D. 305,502 1/1990 Waters D12/423
- D. 369,140 4/1996 Solfs D12/423
- 4,560,096 12/1985 Lucas et al. 224/411
- 4,718,583 1/1988 Mullican 224/411
- 5,368,210 11/1994 Wotring 224/404

Primary Examiner—Melody N. Brown

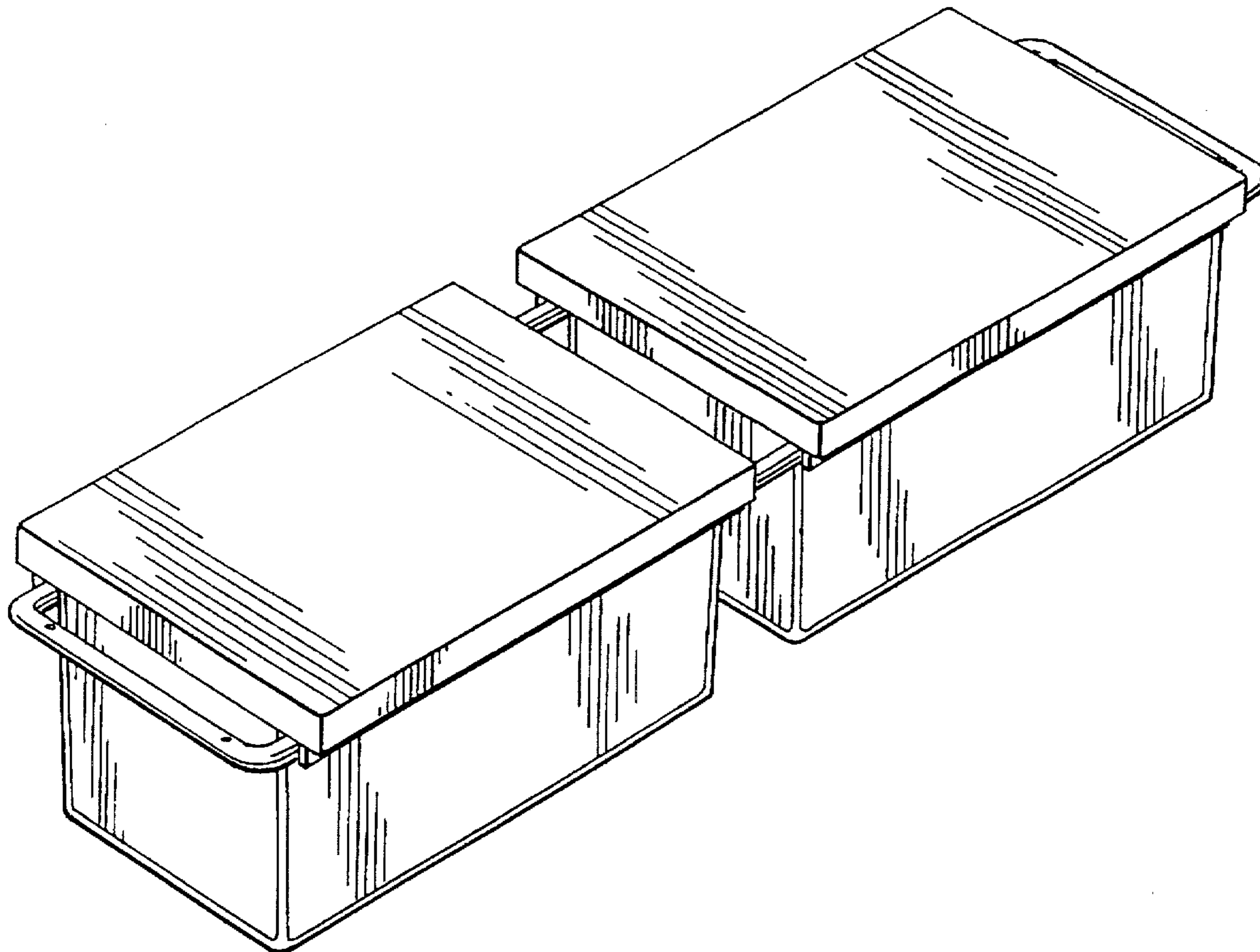
[57] **CLAIM**

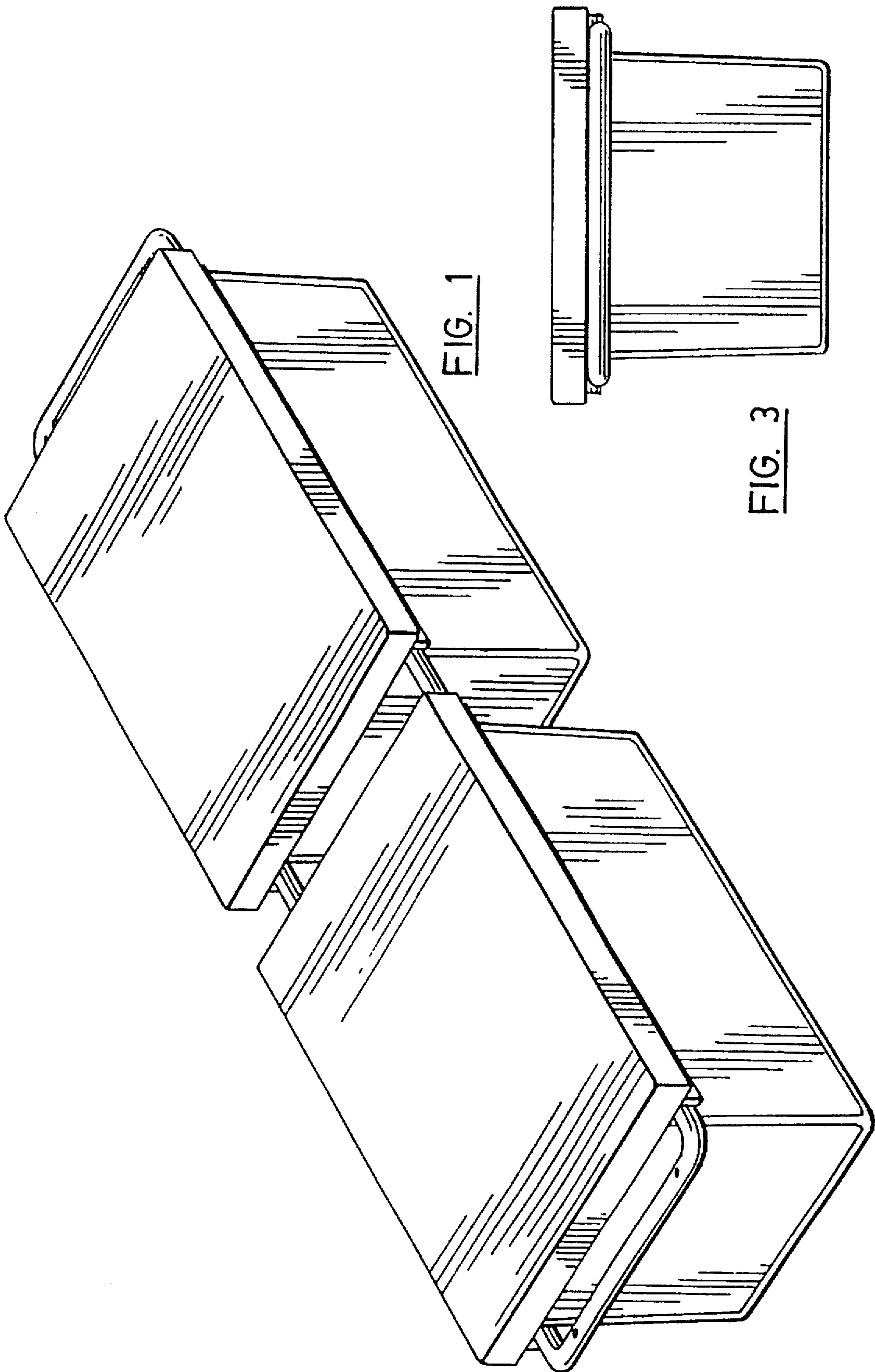
The ornamental design for a storage unit, as shown and described.

DESCRIPTION

FIG. 1 is a top perspective view of a storage unit showing my new design;
 FIG. 2 is a top plan view of the storage unit;
 FIG. 3 is a side elevational view of the storage unit;
 FIG. 4 is a front elevational view of the storage unit; and,
 FIG. 5 is a perspective view of the storage unit with the top closures raised.

1 Claim, 3 Drawing Sheets





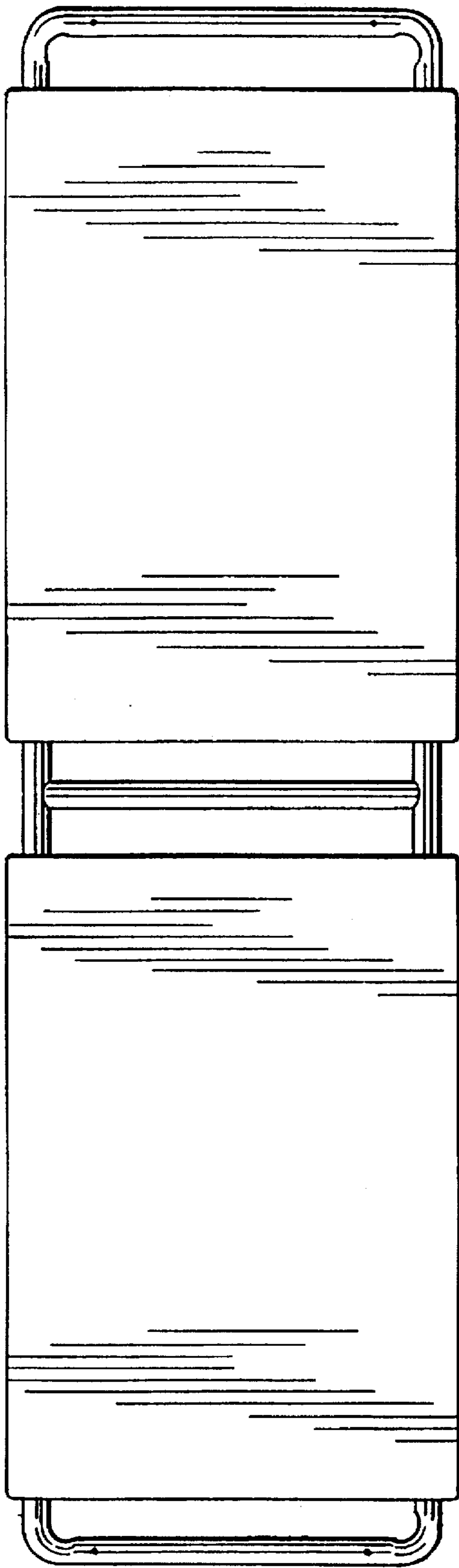


FIG. 2

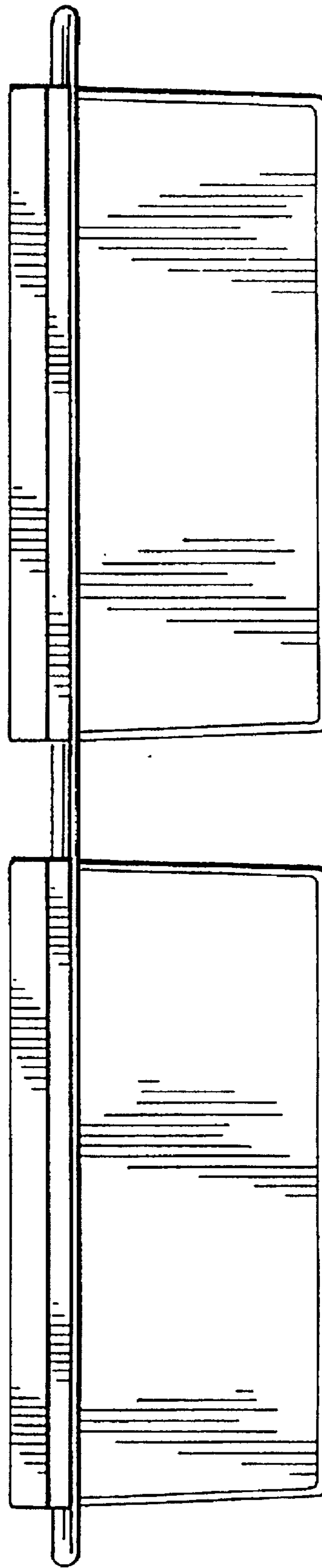


FIG. 4

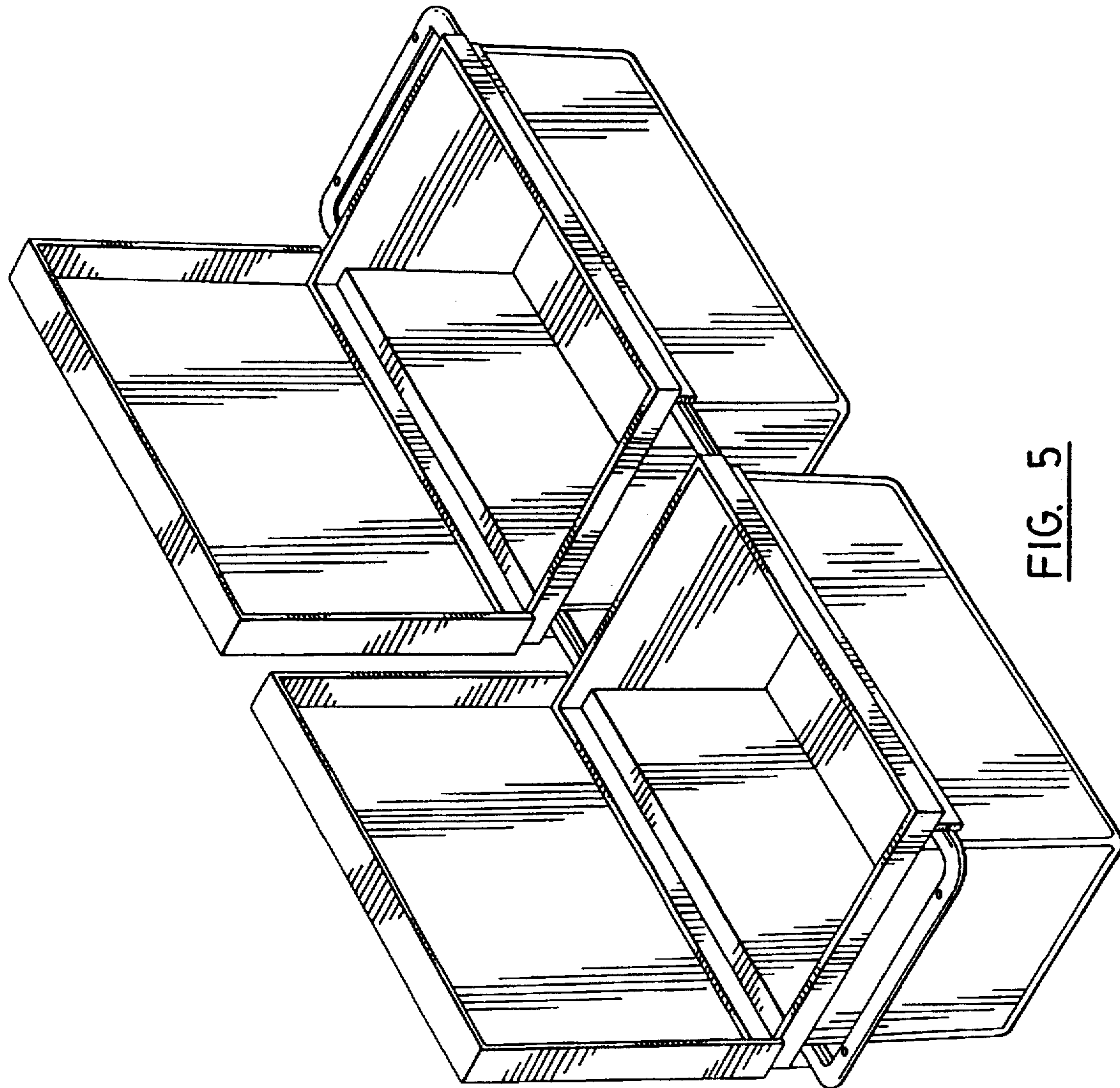


FIG. 5