



US00D386739S

United States Patent [19]

Muzzarelli et al.

[11] Patent Number: **Des. 386,739**

[45] Date of Patent: ****Nov. 25, 1997**

[54] FRONT FACE OF A VEHICLE WHEEL

[75] Inventors: **Marco Muzzarelli**, Milan; **Giuseppe Amati**, Varese, both of Italy

[73] Assignee: **Claus Ettensberger Corporation**, Gardena, Calif.

[**] Term: **14 Years**

[21] Appl. No.: **54,945**

[22] Filed: **May 24, 1996**

[51] LOC (6) Cl. **12-16**

[52] U.S. Cl. **D12/209**

[58] Field of Search D12/204-213;
301/64.1, 65, 37.1

[56] References Cited

U.S. PATENT DOCUMENTS

Re. 16,287	3/1926	Baker	301/37.1
D. 197,839	3/1964	Logghe	D12/209
D. 352,021	11/1994	Powers	D12/209 X
D. 372,697	8/1996	Echazabal et al.	D12/209

OTHER PUBLICATIONS

1993 Custom Wheel & Tire Style Guide, p. 30, see "Viper (2-pc)" and Viper (1-pc.) Paint.

Primary Examiner—James Gandy
Assistant Examiner—Stacia Sinuik
Attorney, Agent, or Firm—Longacre & White

[57] CLAIM

The ornamental design for the front face of a vehicle wheel, as shown and described.

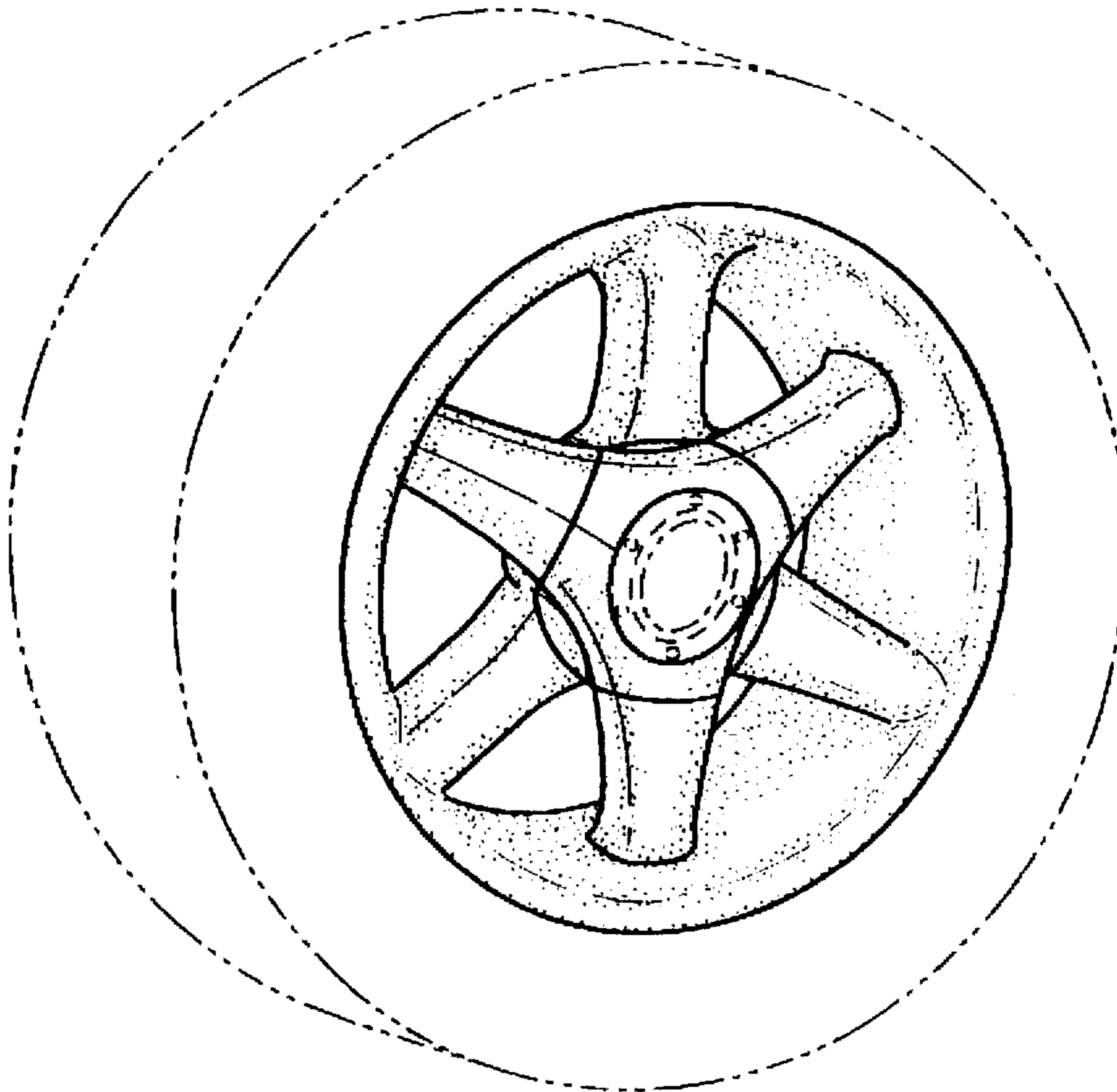
DESCRIPTION

FIG. 1 is a perspective view of the front face of a vehicle wheel according to the present invention; and,

FIG. 2 is a front elevational view of the front face of a vehicle wheel as shown in FIG. 1.

The broken line showing of the tire and within the central hub area of the wheel is for illustrative purposes only and forms no part of the claimed design.

1 Claim, 1 Drawing Sheet



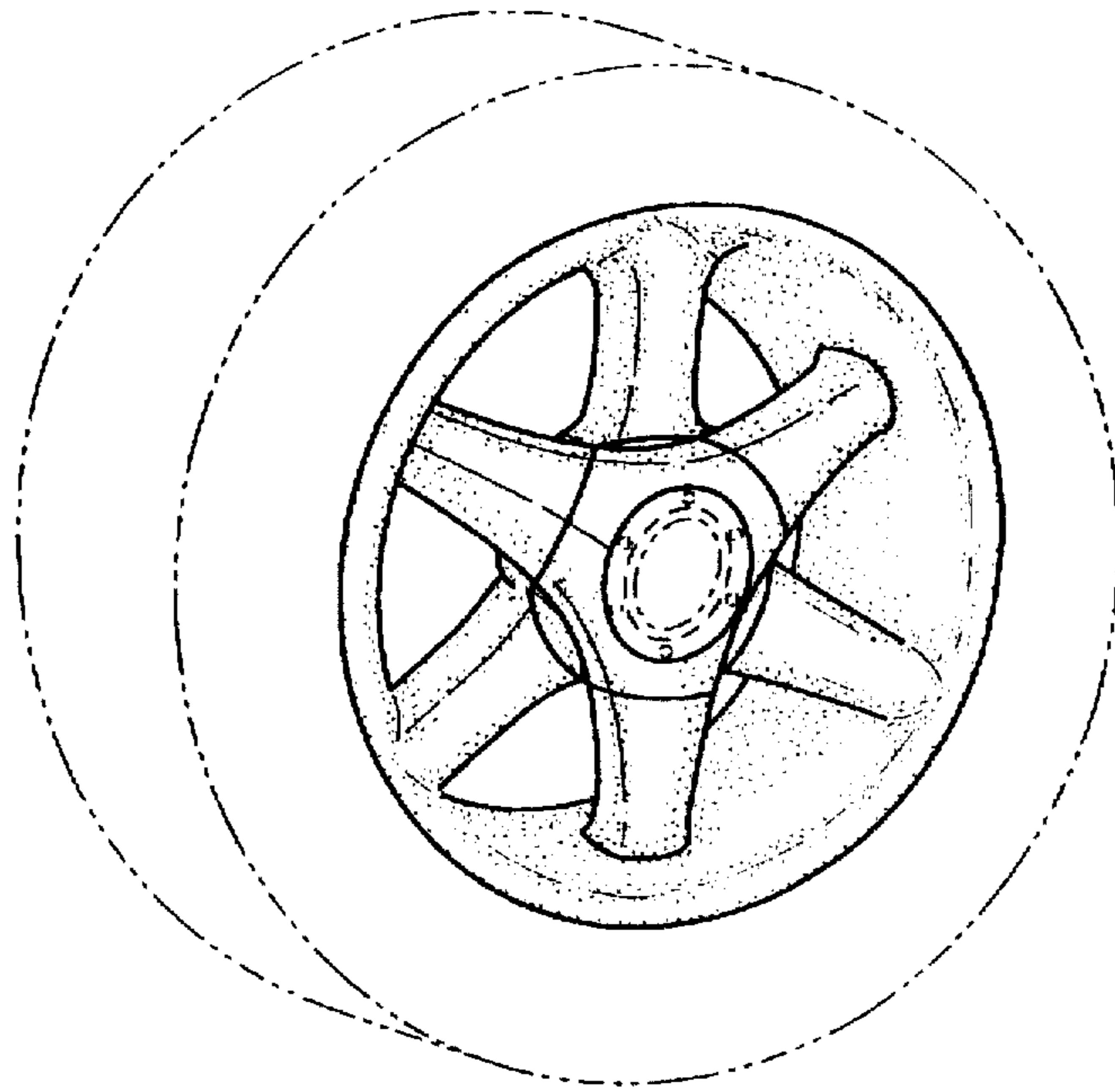


FIG. 1

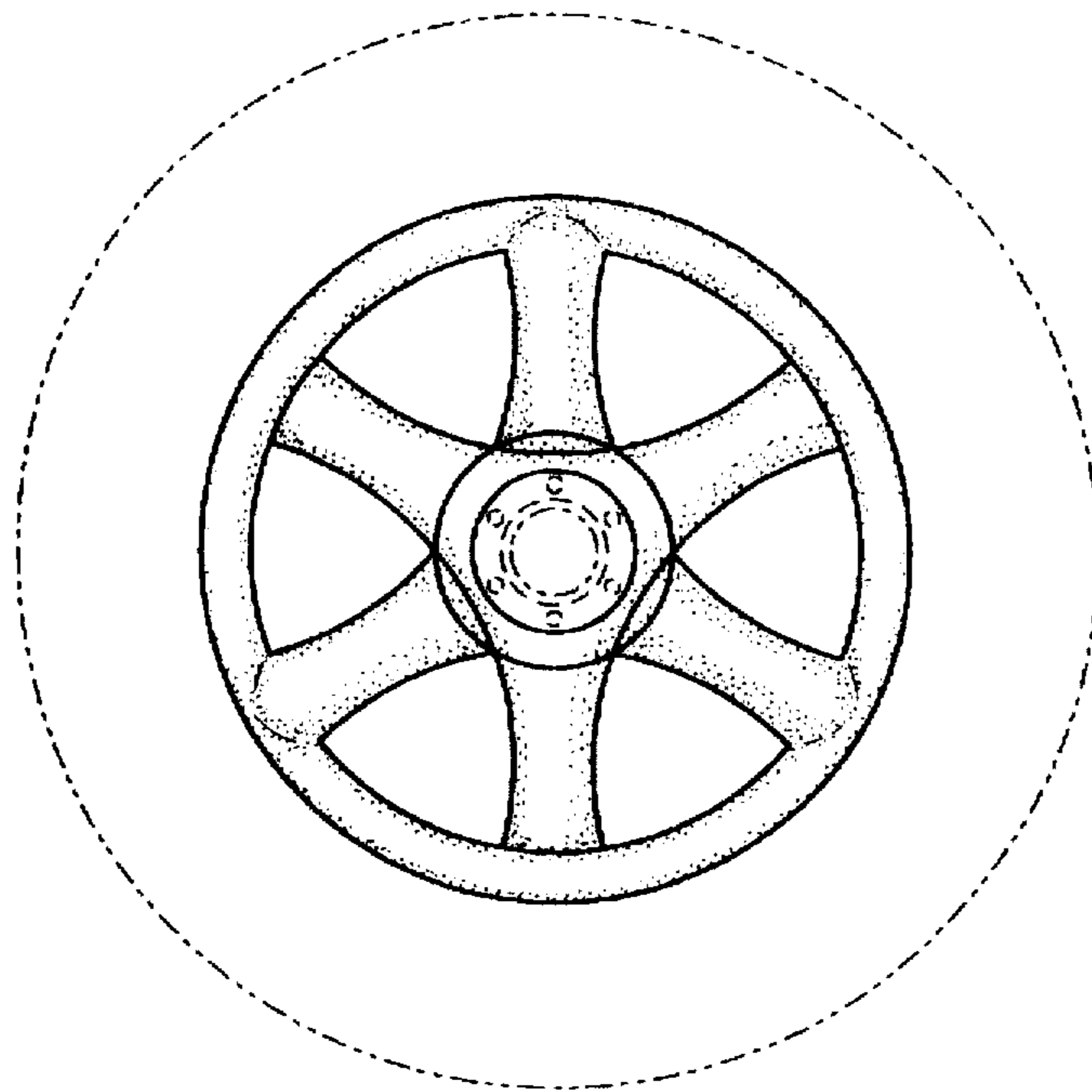


FIG. 2