



US00D386726S

United States Patent [19]

Attinello et al.

[11] Patent Number: Des. 386,726

[45] Date of Patent: **Nov. 25, 1997

[54] **TIRE TREAD**

[75] Inventors: **John Steven Attinello**, Hartville, Ohio;
Kevin Alan Reid, Asheville, N.C.

[73] Assignee: **The Goodyear Tire & Rubber Company**, Akron, Ohio

[**] Term: **14 Years**

[21] Appl. No.: **50,898**

[22] Filed: **Feb. 29, 1996**

[51] LOC (6) Cl. **12-15**

[52] U.S. Cl. **D12/147**

[58] Field of Search D12/141-143,
D12/146-152, 136; 152/209 R, 209 B,
209 D

[56] **References Cited**

U.S. PATENT DOCUMENTS

- D. 353,567 12/1994 Anderson et al. D12/147
- D. 365,067 12/1995 Kotanides, Jr. et al. D12/147
- D. 365,068 12/1995 Kotanides, Jr. et al. D12/147
- D. 365,069 12/1995 Kotanides, Jr. et al. D12/147

OTHER PUBLICATIONS

1994 Tread Design Guide, p. 19, "Dunlop D60 A2 Radial".
1994 Tread Design Guide, p. 117, "Dunlop Yokohama Super Digger V SD0.5".

1995 Tread Design Guide, p. 63, "Sigma Grand Sport Radial G/T 70".

1995 Tread Design Guide, p. 107, "Multi-Mile Wild Spirit Radial GT.X".

Primary Examiner—James Gandy
Assistant Examiner—Stacia Sinuik
Attorney, Agent, or Firm—T. P. Lewandowski

[57] **CLAIM**

The ornamental design for a tire tread, as shown and described.

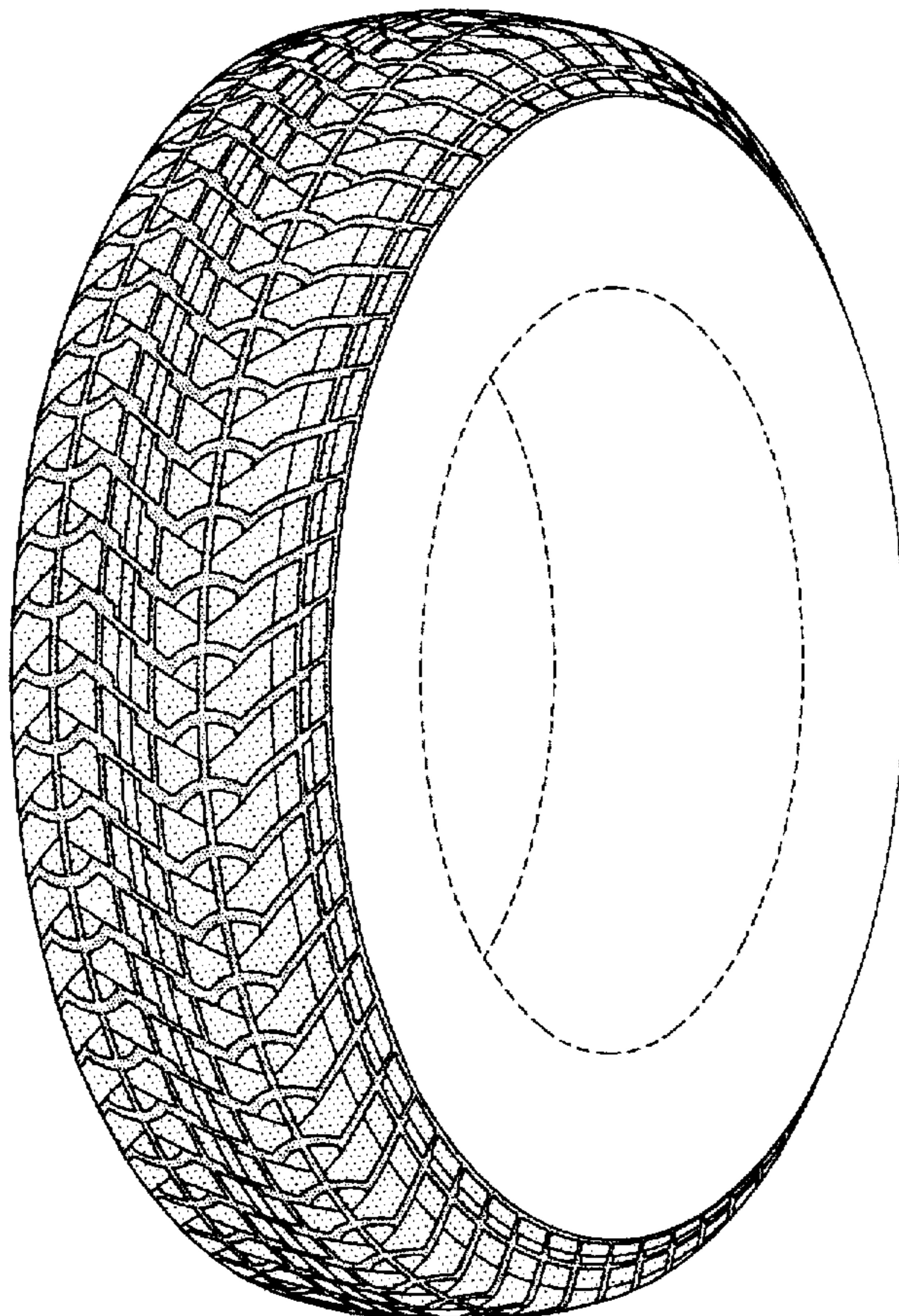
DESCRIPTION

FIG. 1 is a perspective view of a tire tread;
FIG. 2 is a front elevational view thereof;
FIG. 3 is a side elevational view thereof; and,
FIG. 4 is an enlarged fragmentary front view thereof.

In the drawings, the broken lines defining the inner bead of the sidewall and the peripheral boundary between the tire tread and the sidewall are for illustrative purposes only and form no part of the claimed design.

The tread pattern is understood to be repeated uniformly throughout the circumference of the tire tread.

1 Claim, 4 Drawing Sheets



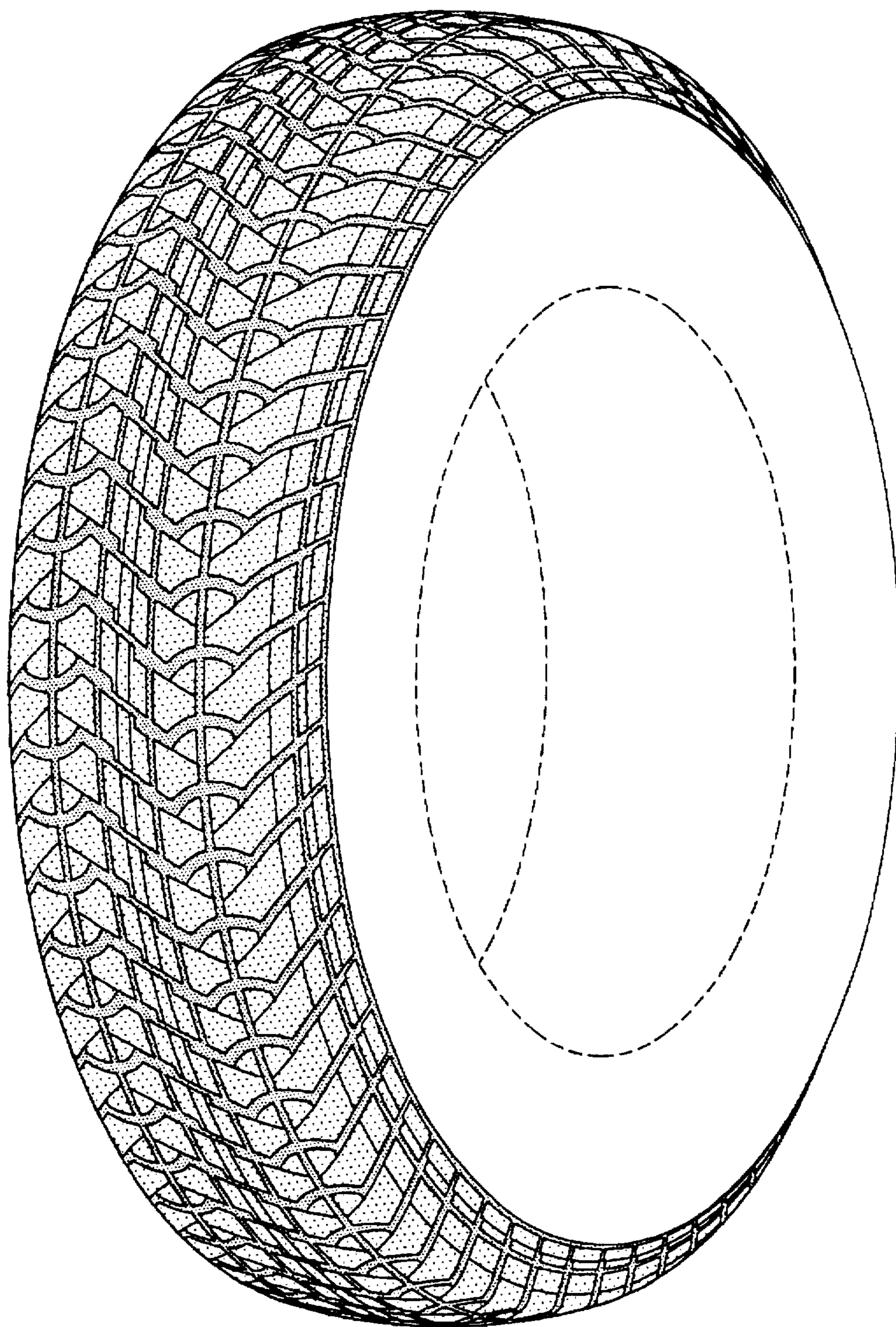


FIG-1

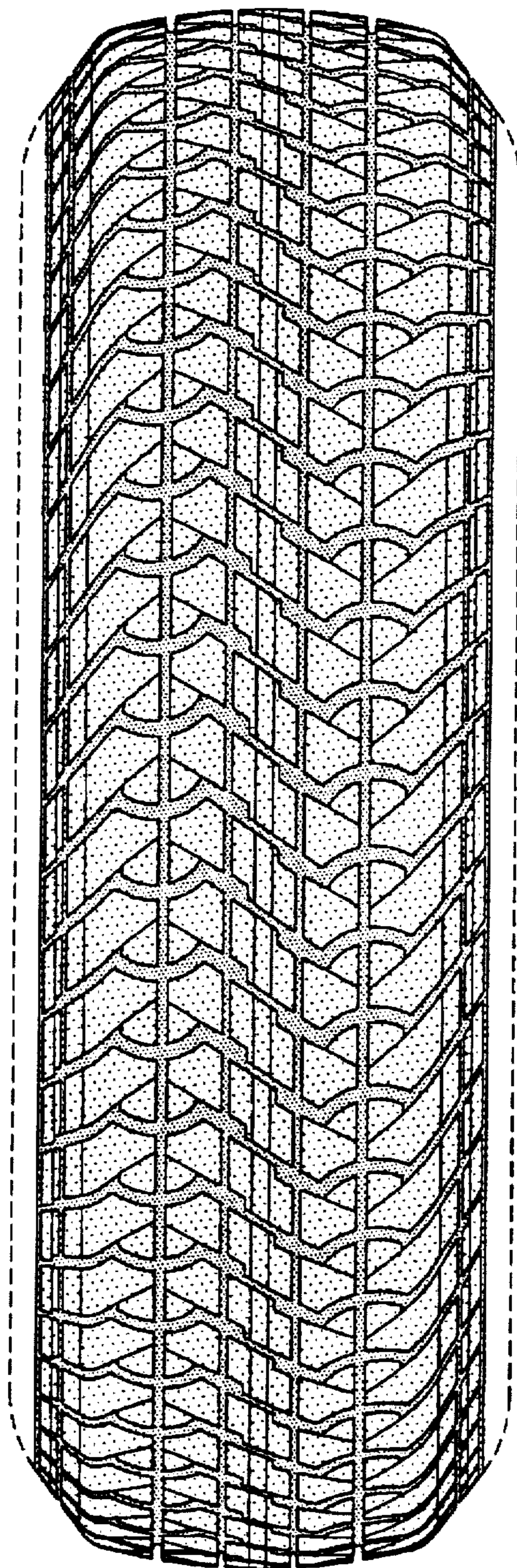


FIG-2

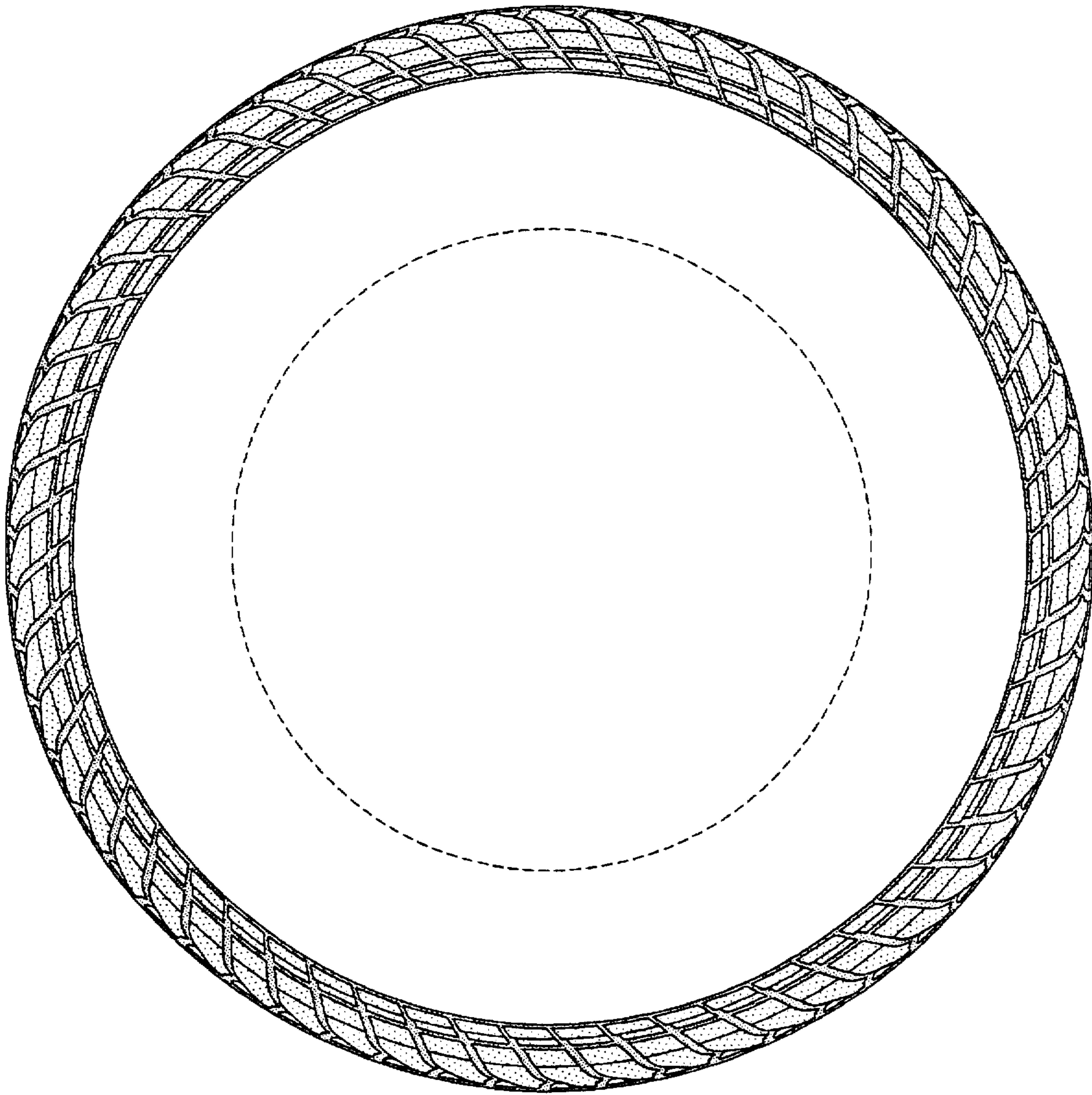


FIG-3

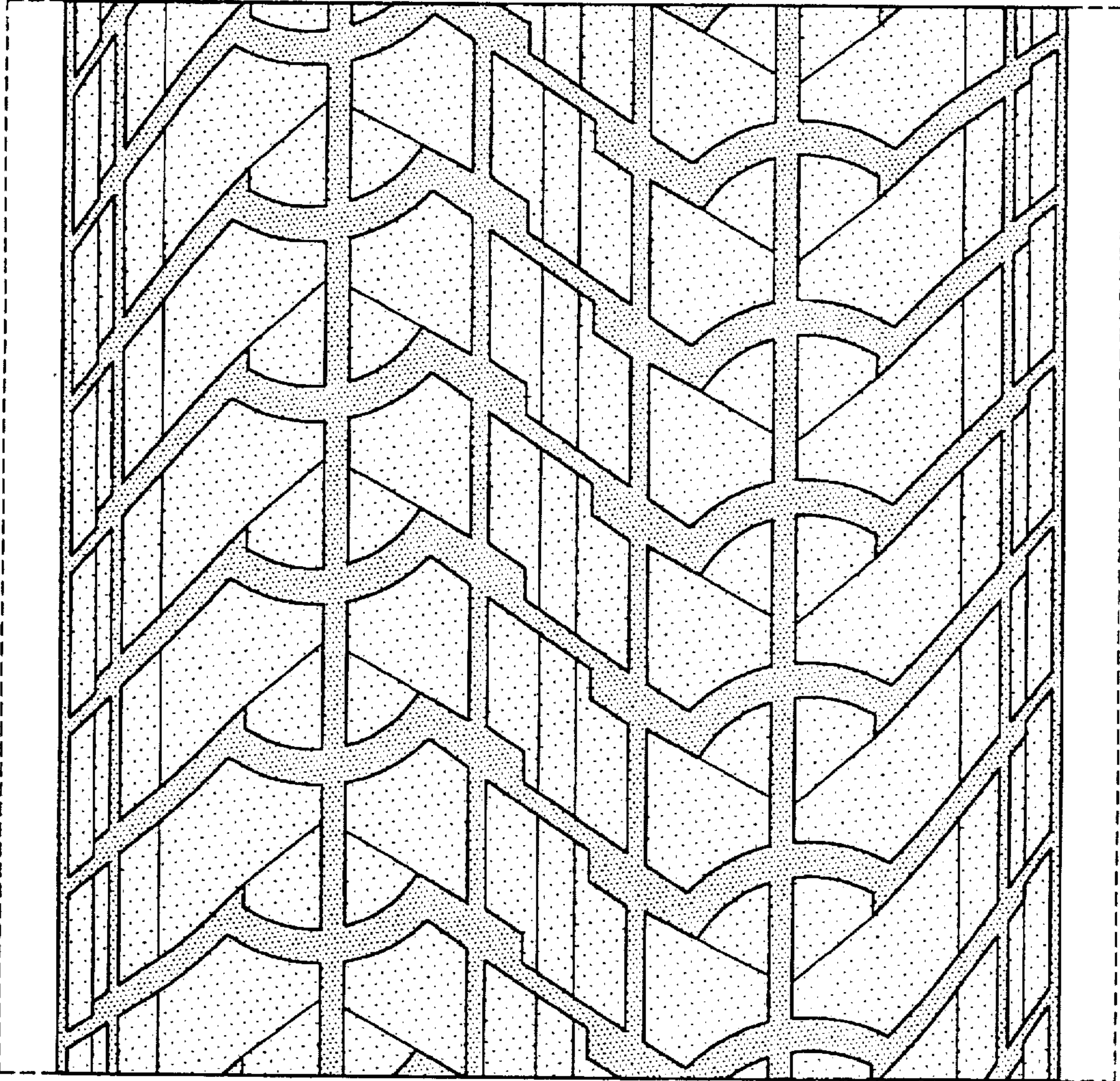


FIG-4