



US00D386724S

United States Patent [19]

Affolter

[11] Patent Number: **Des. 386,724**

[45] Date of Patent: ****Nov. 25, 1997**

[54] **BICYCLE**

633,121 9/1899 Cuming D12/111
4,453,730 6/1984 Klose D12/111

[75] Inventor: **William Affolter**, Courfaivre,
Switzerland

[73] Assignee: **Condor S.A.**, Switzerland

[**] Term: **14 Years**

Primary Examiner—Melody N. Brown
Attorney, Agent, or Firm—Ostrolenk, Faber, Gerb & Soffen,
LLP

[21] Appl. No.: **16,928**

[22] Filed: **Dec. 29, 1993**

[57] CLAIM

The ornamental design for a bicycle, as shown.

[30] Foreign Application Priority Data

Jun. 29, 1993 [WO] WIPO DM/026527

[51] LOC (6) Cl. **12-11**

[52] U.S. Cl. **D12/111**

[58] Field of Search D12/111; 280/281.1,
280/288.1, 288.2, 288.3

DESCRIPTION

FIG. 1 is a top, right side perspective view of a bicycle showing my new design;

FIG. 2 is a right side elevational view thereof;

FIG. 3 is a left side view thereof;

FIG. 4 is a top view thereof;

FIG. 5 is a bottom view thereof;

FIG. 6 is a front view thereof; and,

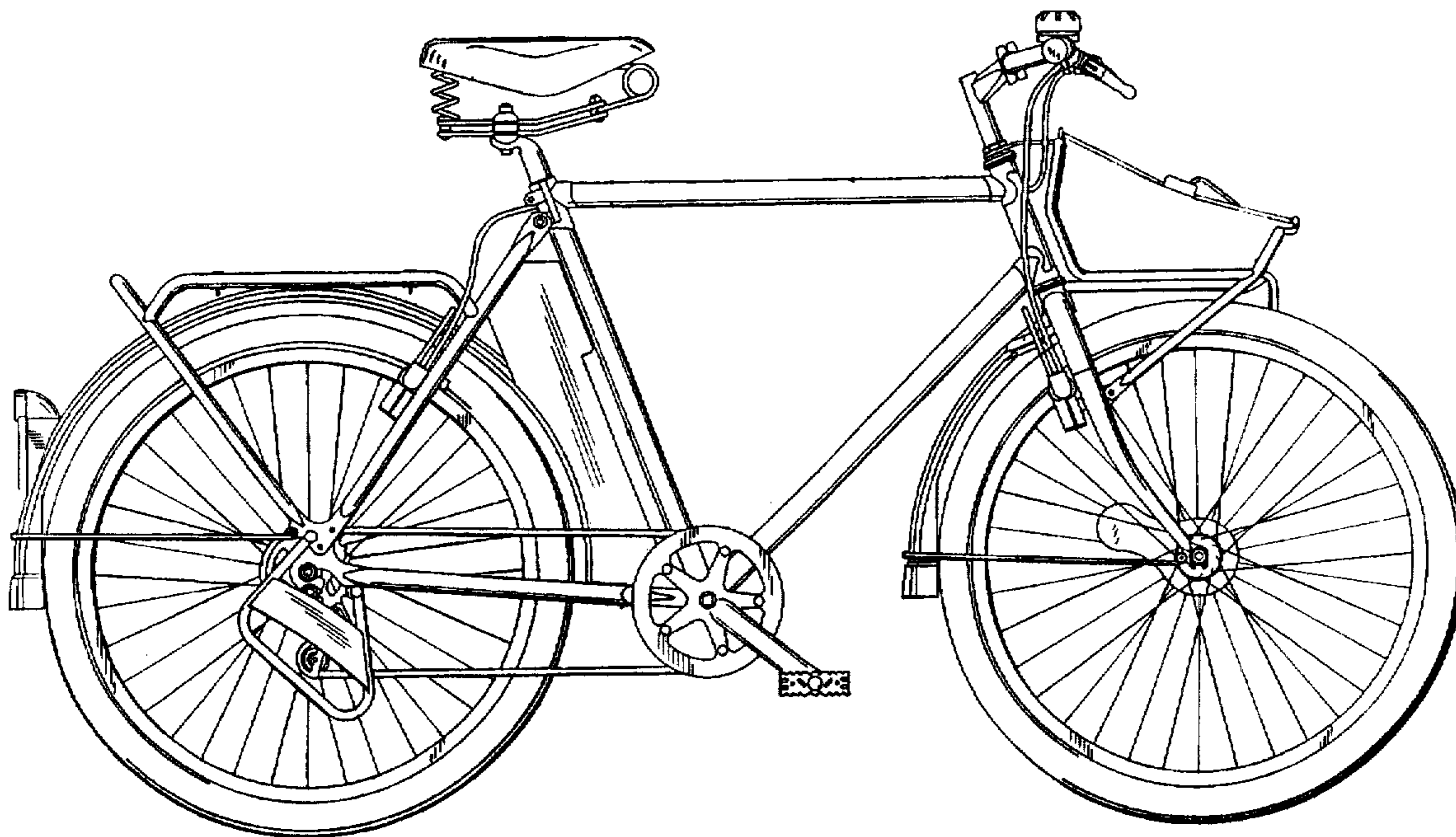
FIG. 7 is a rear view thereof.

[56] References Cited

U.S. PATENT DOCUMENTS

D. 92,523 6/1934 Clark 280/288.2

1 Claim, 6 Drawing Sheets



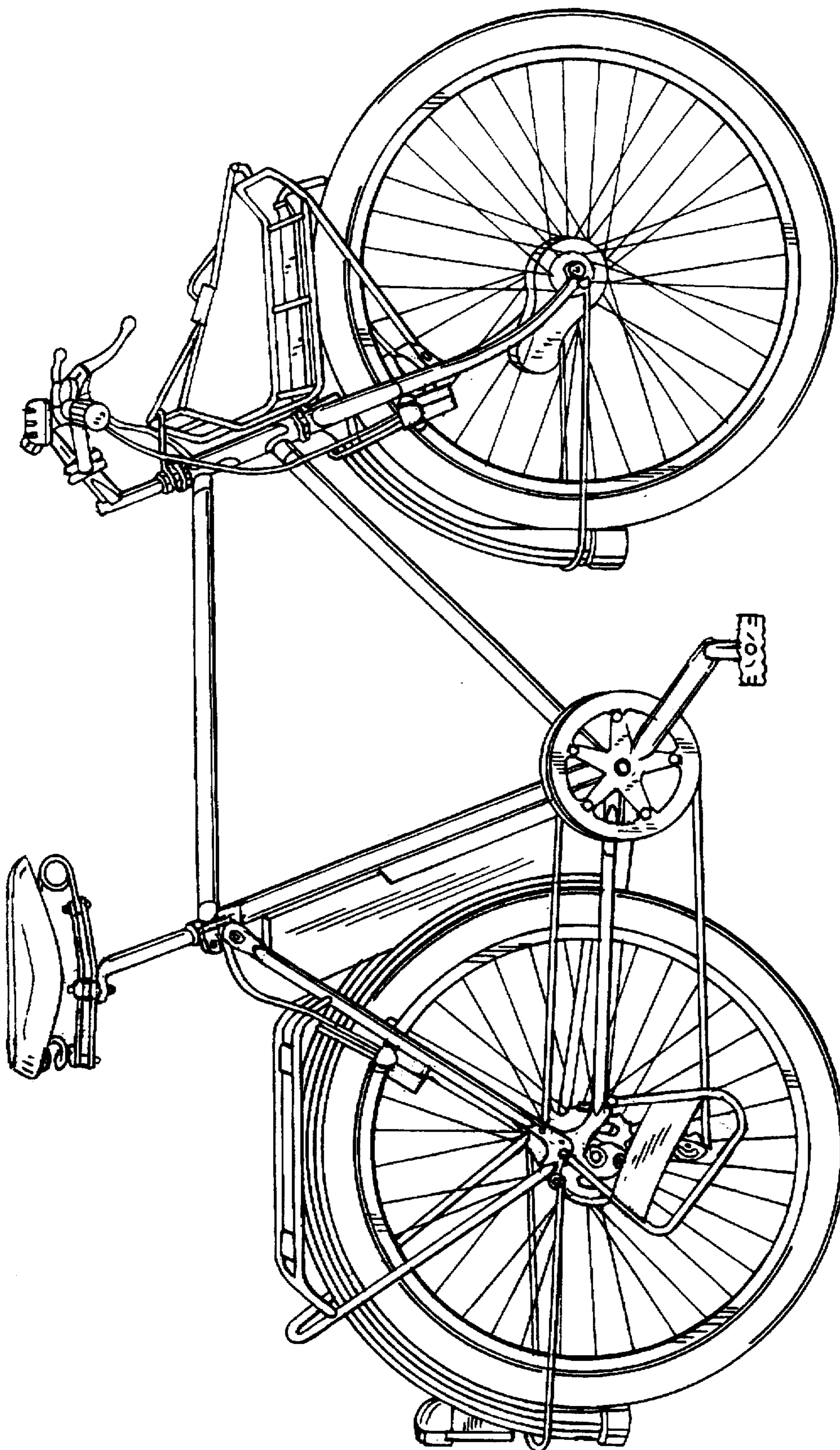


FIG. 1

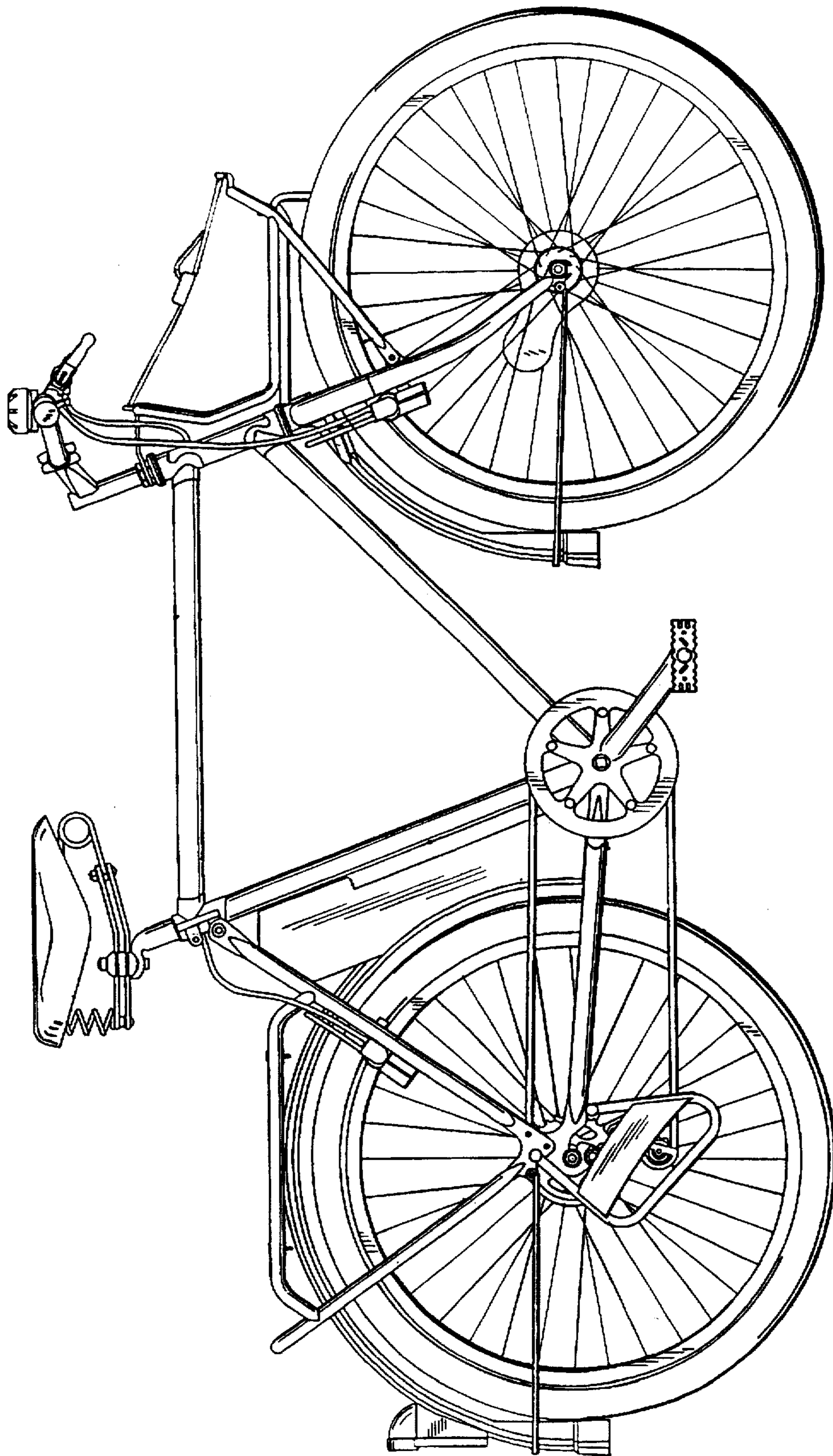


FIG. 2

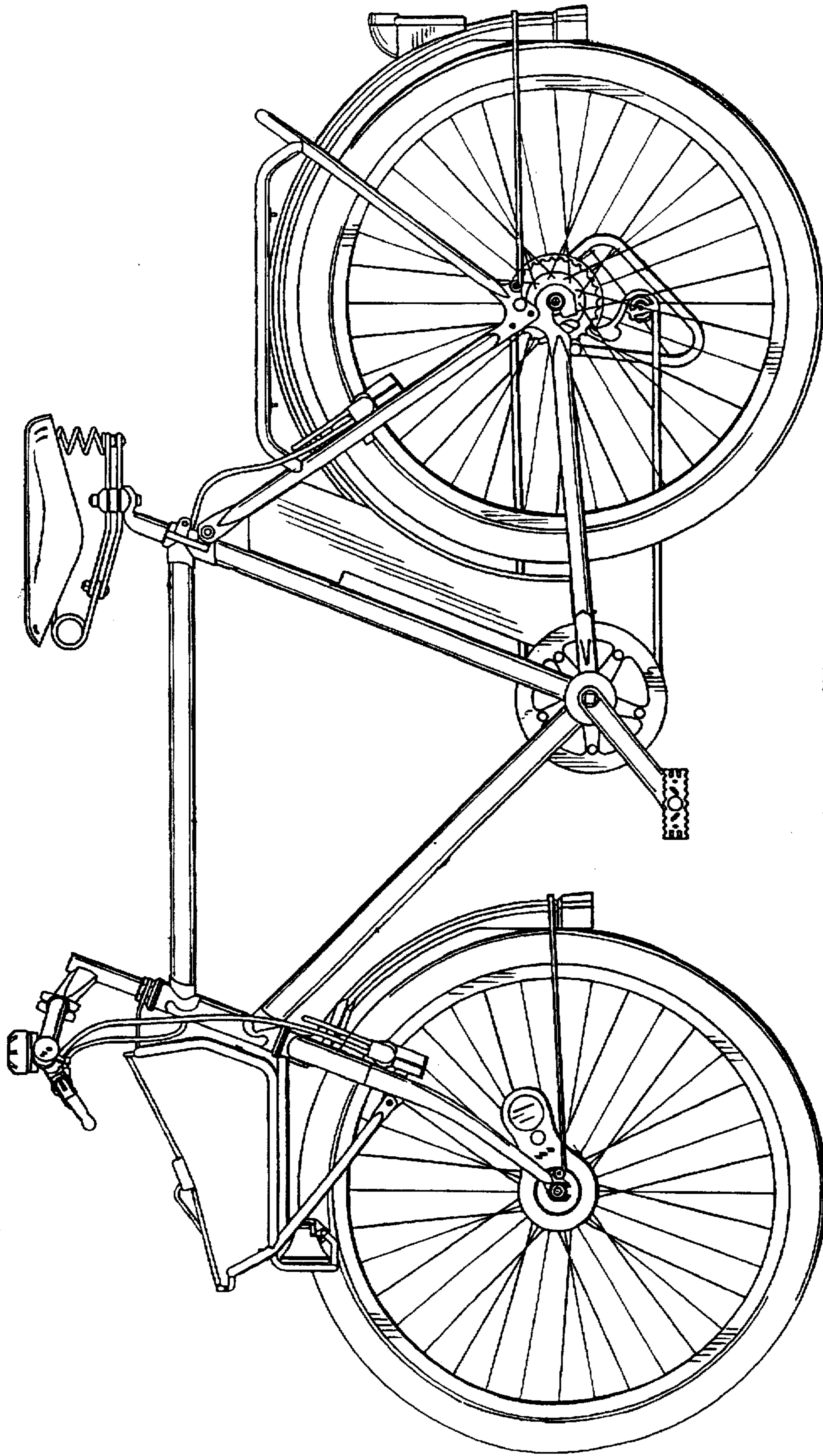


FIG. 3

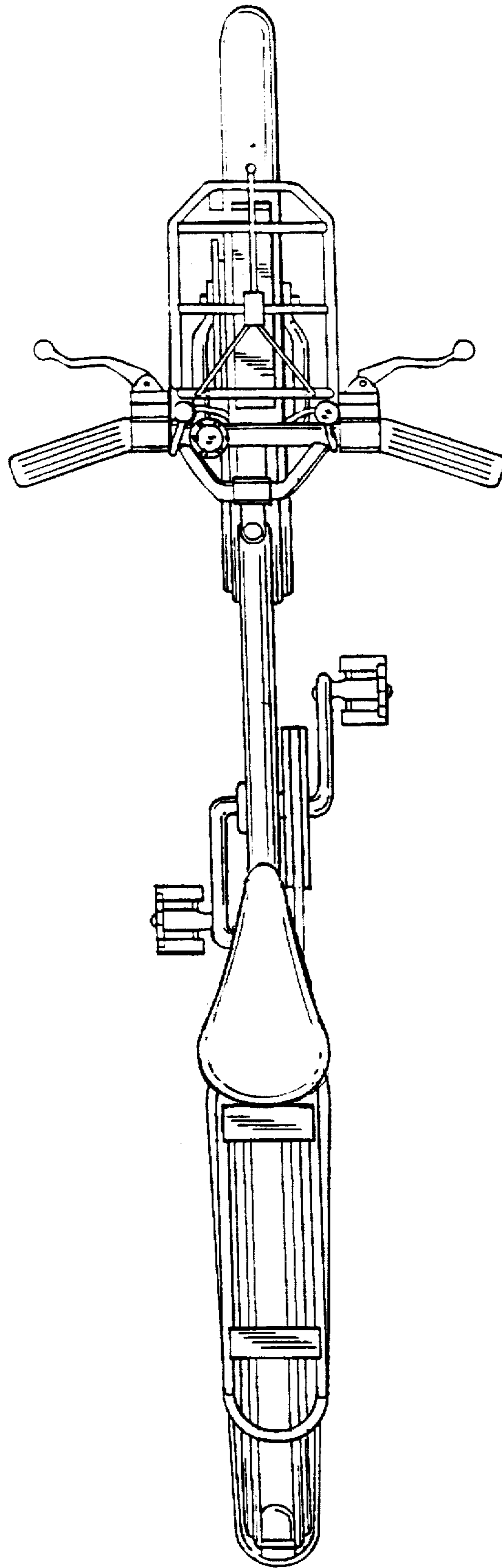


FIG. 4

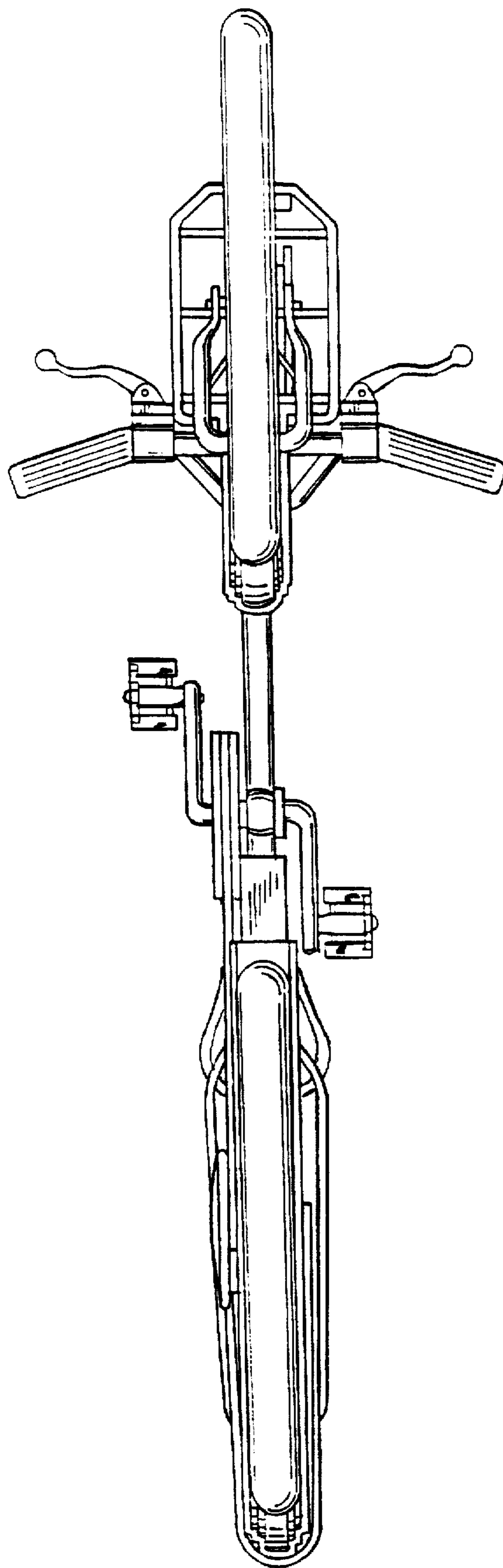


FIG. 5

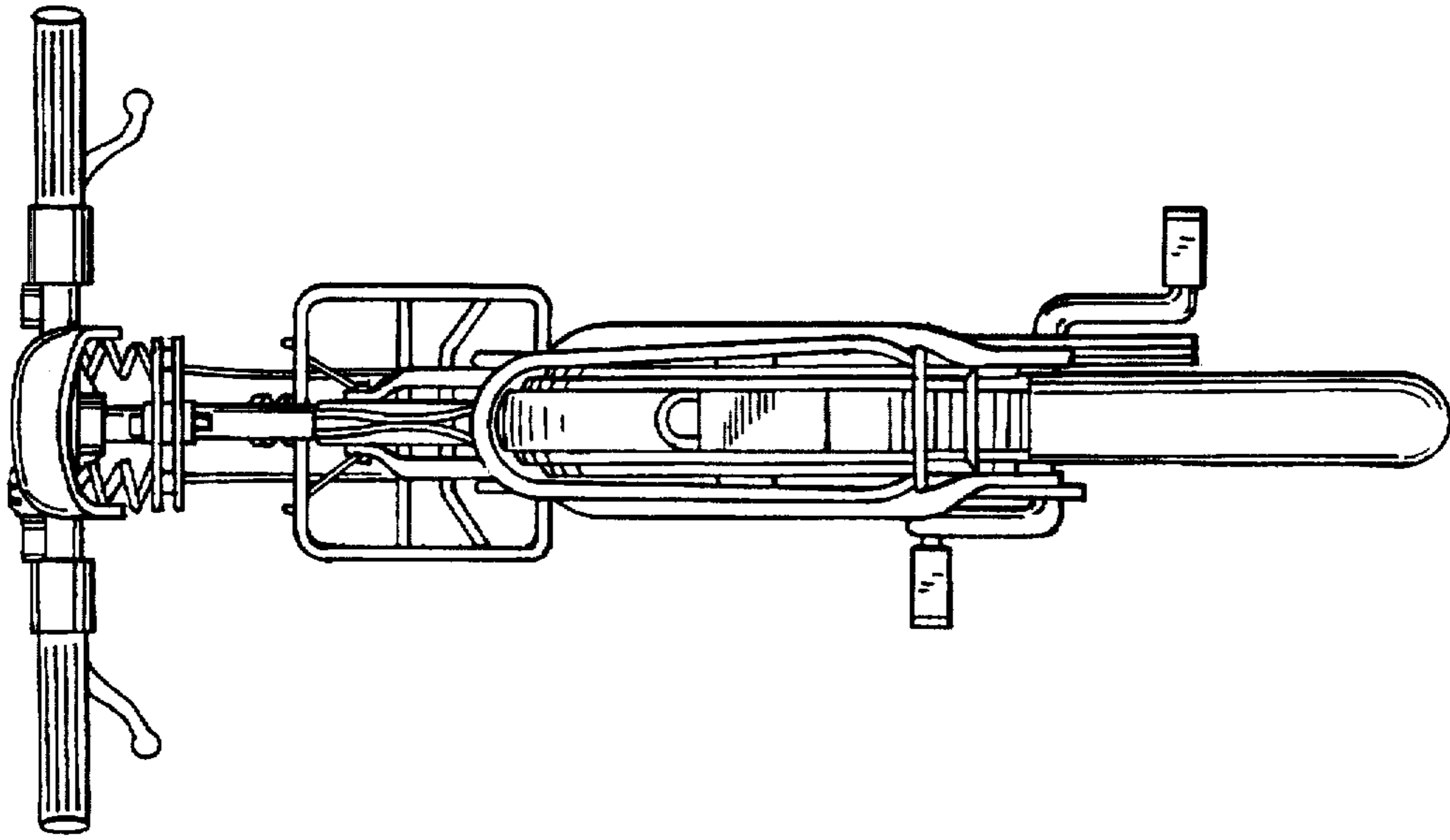


FIG. 7

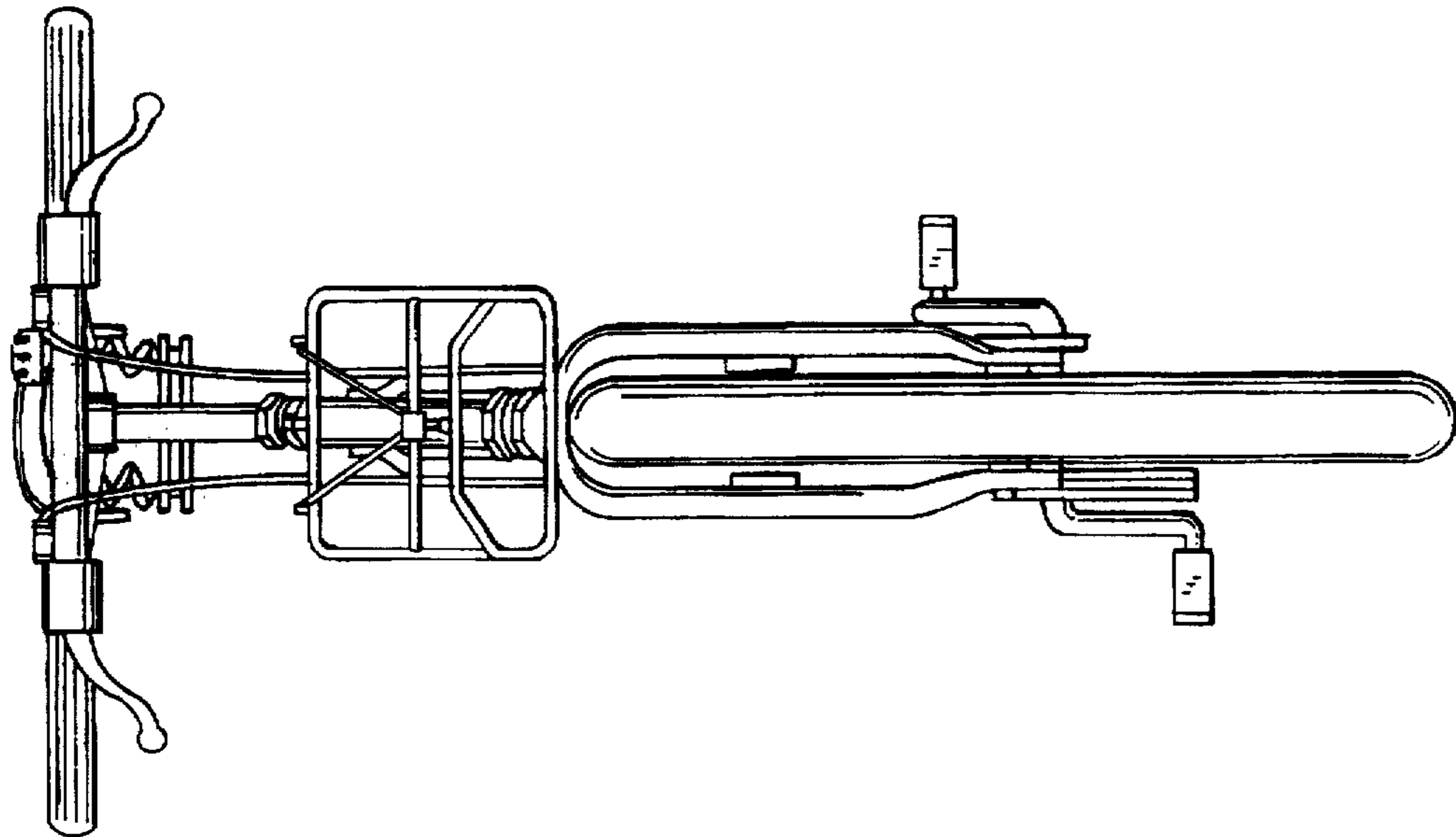


FIG. 6