



US00D386722S

United States Patent [19]
Dunphy

[11] **Patent Number: Des. 386,722**

[45] **Date of Patent: **Nov. 25, 1997**

[54] **TRUCK BODY**

4,951,599 8/1990 Rudolph et al. 298/11
5,580,134 12/1996 Allwine 298/11

[76] **Inventor: Scott Dunphy, P.O. Box 392, Island Falls, Me. 04747**

Primary Examiner—Melody N. Brown
Attorney, Agent, or Firm—Harold H. Dutton, Jr.

[**] **Term: 14 Years**

[57] **CLAIM**

[21] **Appl. No.: 57,486**

The ornamental design for a truck body, as shown and described.

[22] **Filed: Jul. 25, 1996**

DESCRIPTION

[51] **LOC (6) Cl. 12-08**

[52] **U.S. Cl. D12/93; D12/15**

[58] **Field of Search D12/93, 94, 97, D12/98; 414/477, 480, 346; 298/11, 30, 31, 32, 23 C, 23 M; 296/56, 57.1, 52, 51**

FIG. 1 is a perspective view of a truck body showing my new design;

FIG. 2 is a right view thereof; and the left view is a mirror image thereof;

FIG. 3 is a top view thereof;

FIG. 4 is a bottom view thereof;

FIG. 5 is a front view thereof; and,

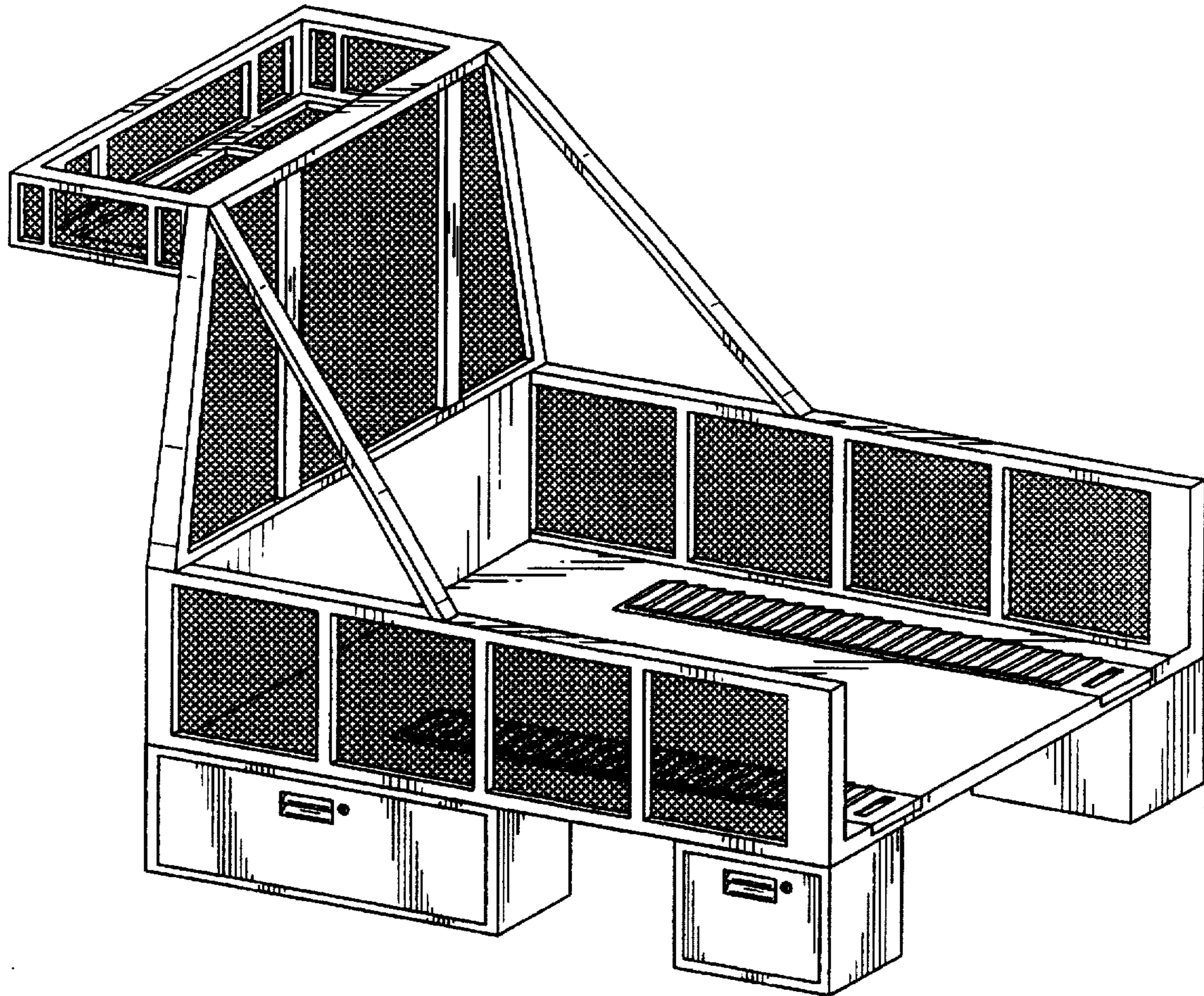
FIG. 6 is a rear view thereof with the tailgate in closed position.

[56] **References Cited**

U.S. PATENT DOCUMENTS

D. 268,830	5/1983	Sutela	D12/93
D. 284,274	6/1986	Shoup	D12/94
D. 289,748	5/1987	Proeschl	D12/15

1 Claim, 5 Drawing Sheets



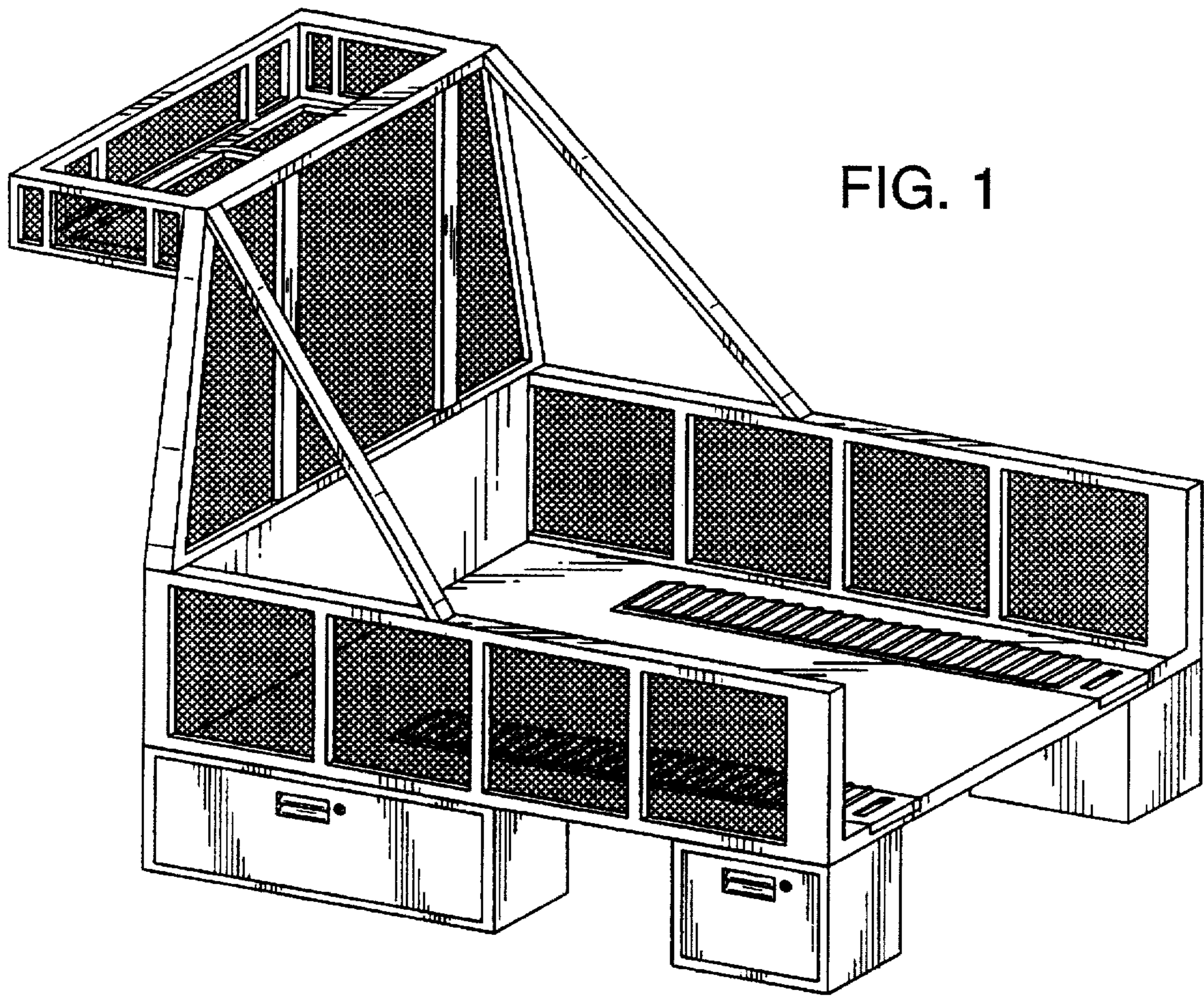
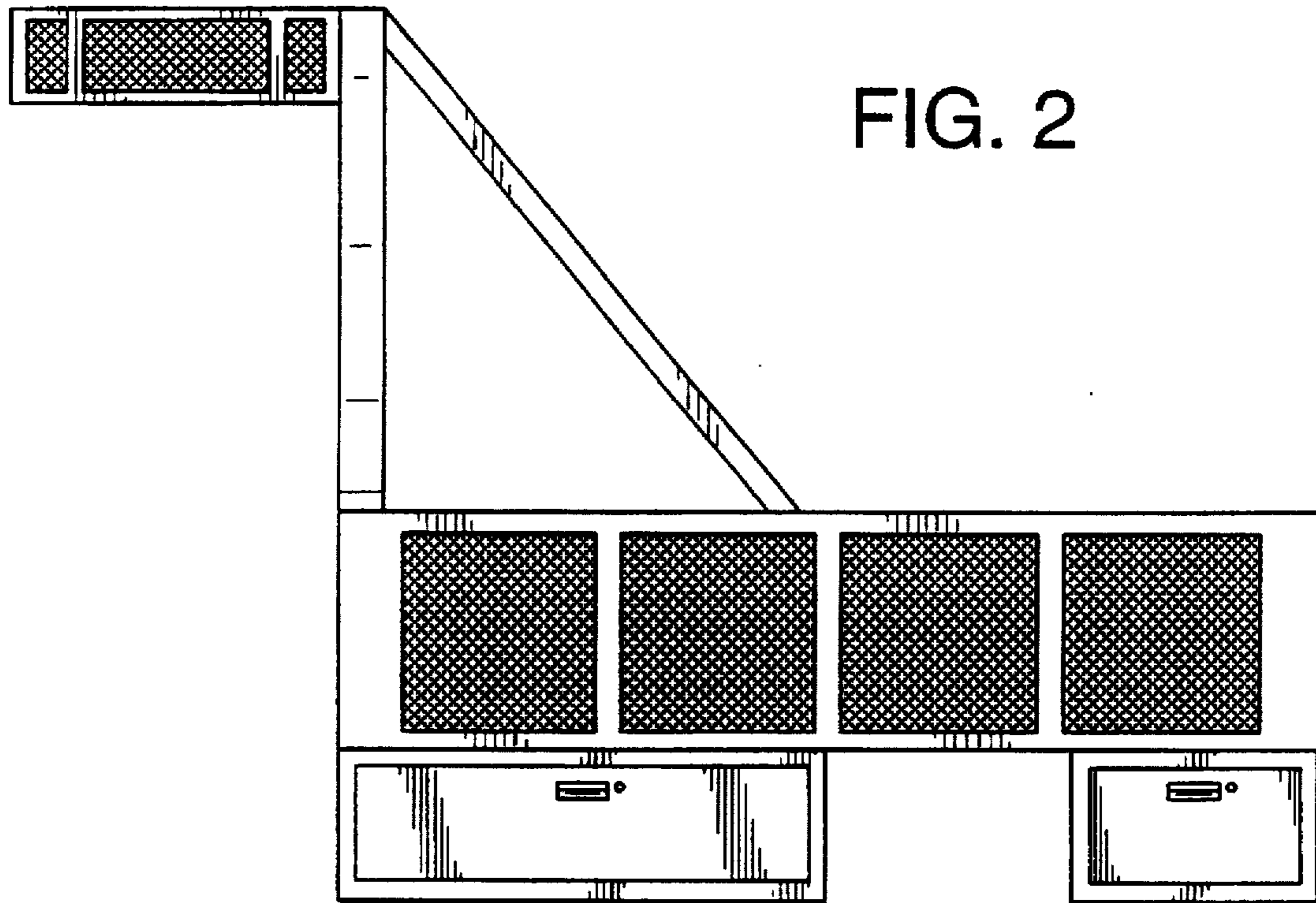


FIG. 1



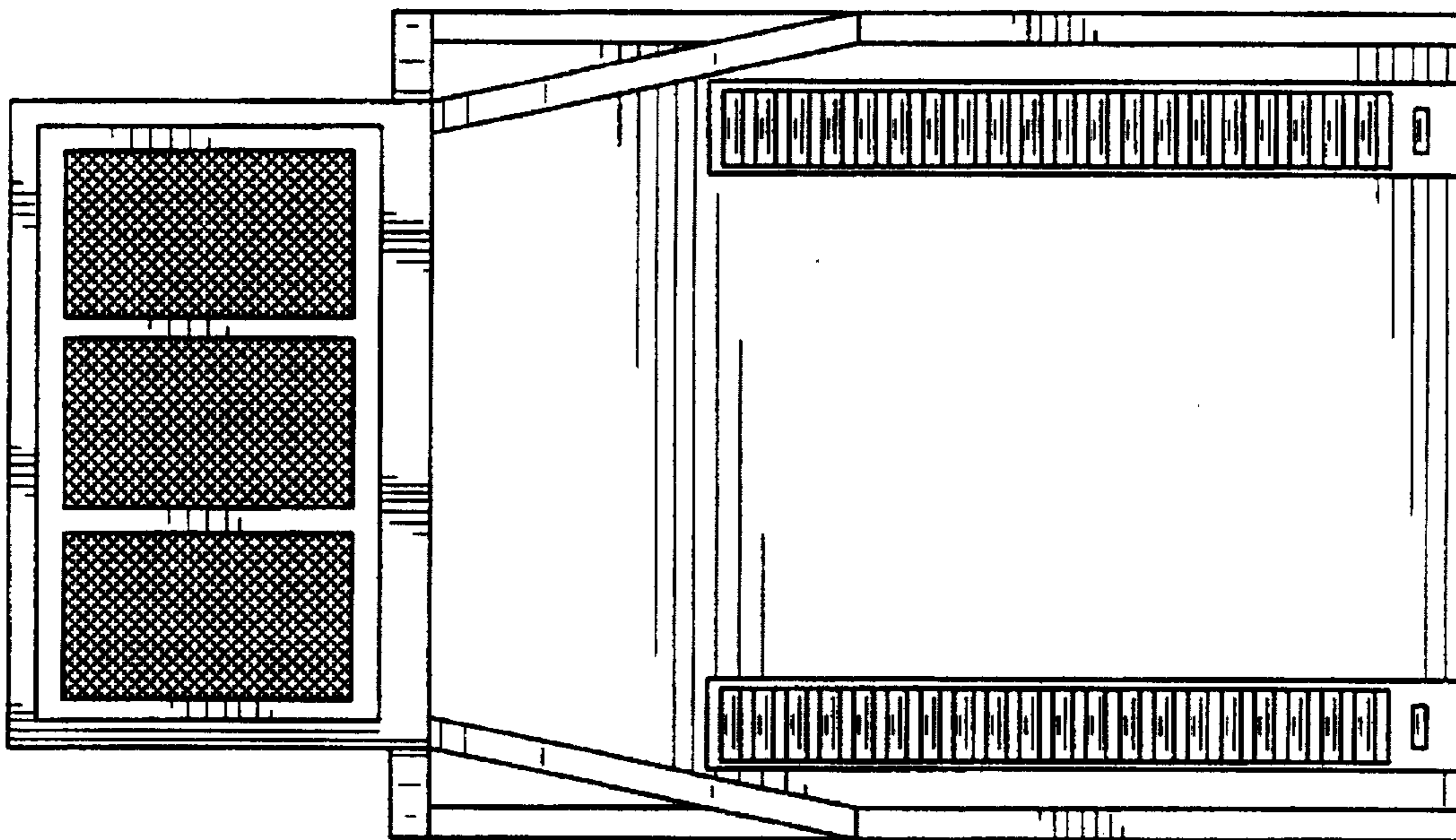


FIG. 3

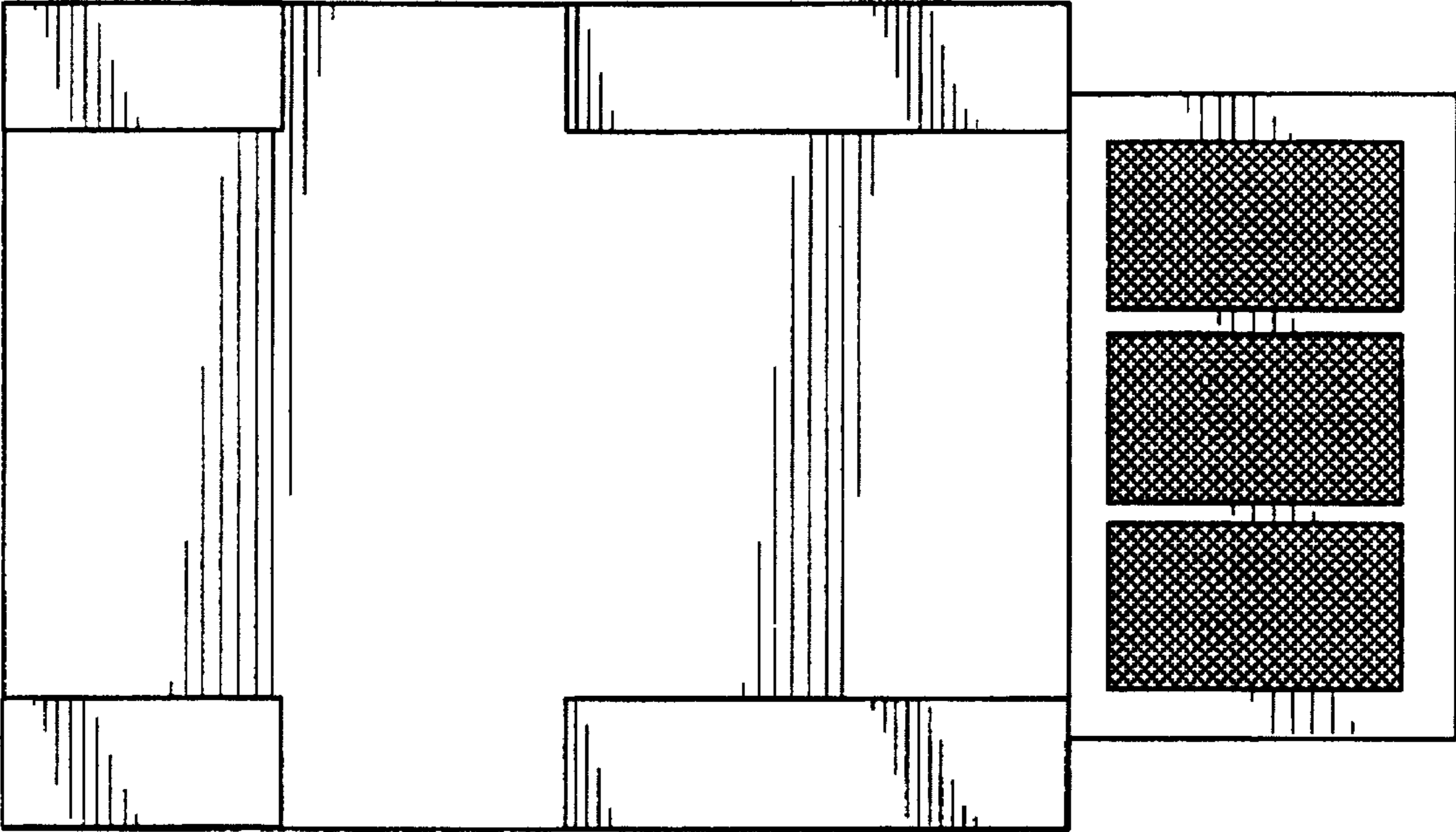


FIG. 4

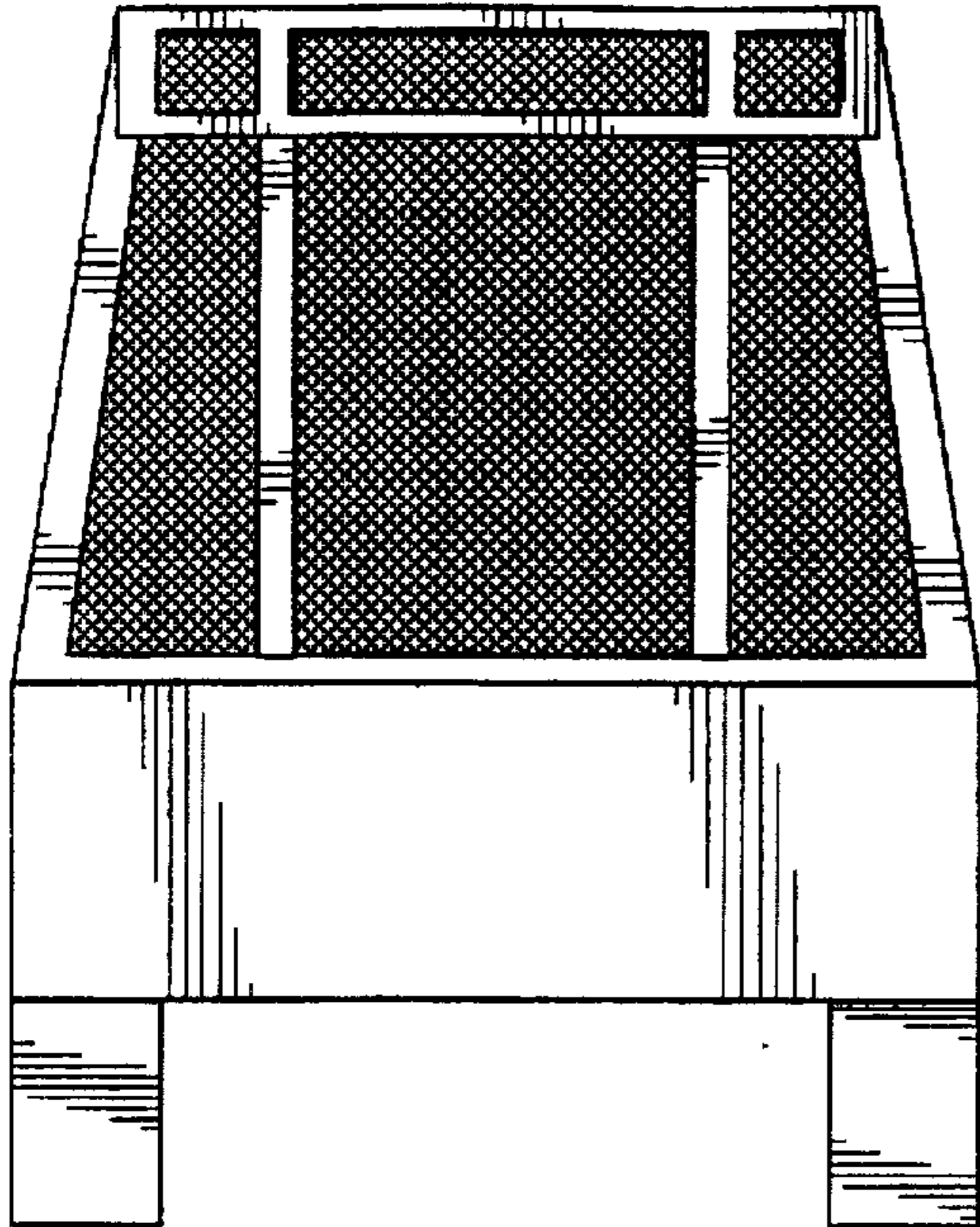


FIG. 5

FIG. 6

