



US00D386720S

United States Patent [19]
Yaguramaki

[11] **Patent Number:** **Des. 386,720**
[45] **Date of Patent:** ****Nov. 25, 1997**

[54] **SLIDE FASTENER SLIDER**

D. 305,106 12/1989 Aoki D11/221
2,497,740 2/1950 Poux 24/415

[75] **Inventor:** **Iwao Yaguramaki**, Namerikawa, Japan

Primary Examiner—Ralf Seifert
Attorney, Agent, or Firm—Hill, Steadman & Simpson

[73] **Assignee:** **YKK Corporation**, Tokyo, Japan

[**] **Term:** **14 Years**

[57] **CLAIM**

[21] **Appl. No.:** **59,779**

The ornamental design for “slide fastener slider”, as shown.

[22] **Filed:** **Sep. 16, 1996**

DESCRIPTION

[30] **Foreign Application Priority Data**

FIG. 1 is a front elevational view of a slide fastener showing my new design;

Mar. 15, 1996 [JP] Japan 8-7132

FIG. 2 is a right side elevational view;

[51] **LOC (6) Cl.** **02-07**

FIG. 3 is a top plan view;

[52] **U.S. Cl.** **D11/221**

FIG. 4 is a bottom plan view;

[58] **Field of Search** D11/200, 221;
24/381, 385, 415-417, 427-431; 70/456;
D8/395

FIG. 5 is a rear elevational view;

FIG. 6 is a cross-sectional view taken along the line 6—6 of FIG. 1; and,

FIG. 7 is a cross sectional view taken along the line 7—7 of FIG. 1.

[56] **References Cited**

U.S. PATENT DOCUMENTS

D. 291,670 9/1987 Takabatake D11/221

1 Claim, 2 Drawing Sheets

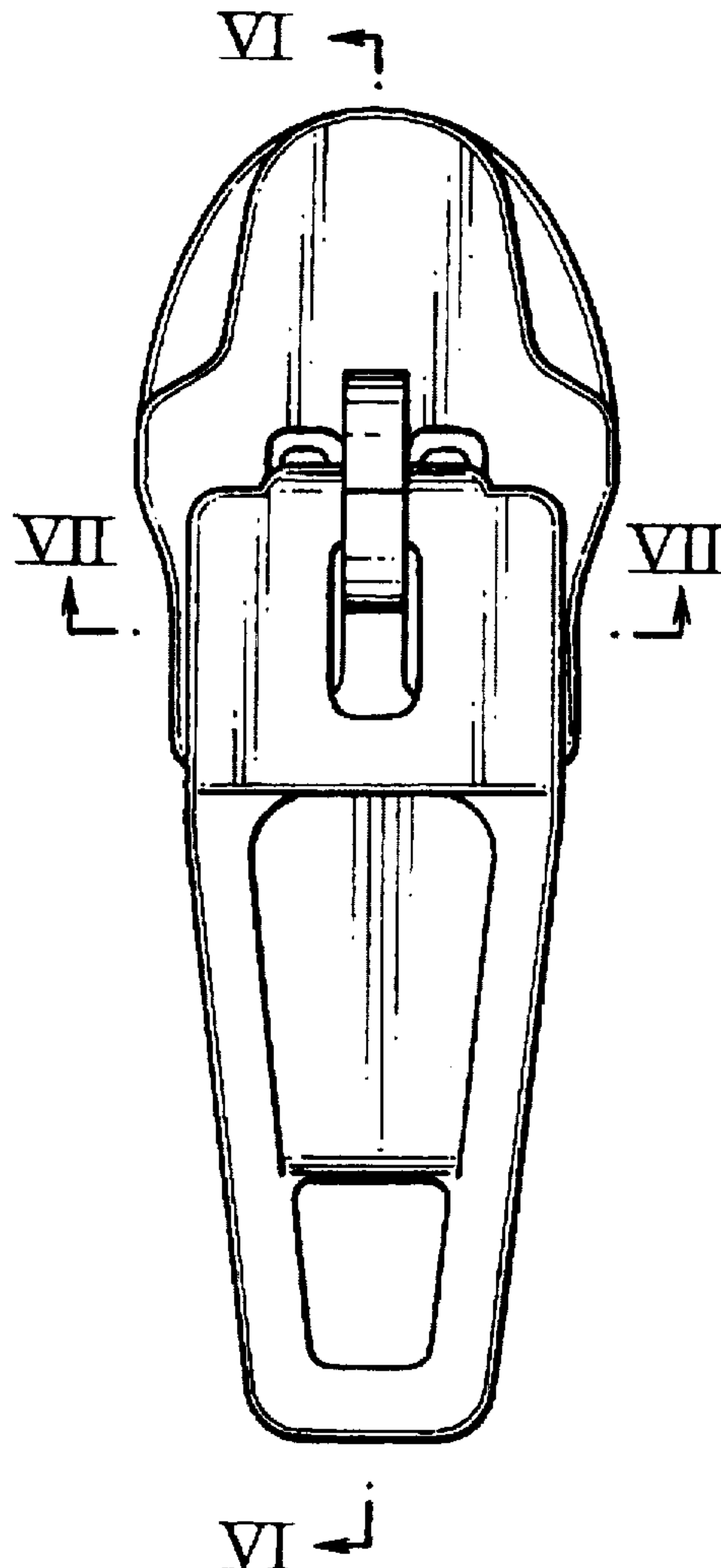


FIG. 1

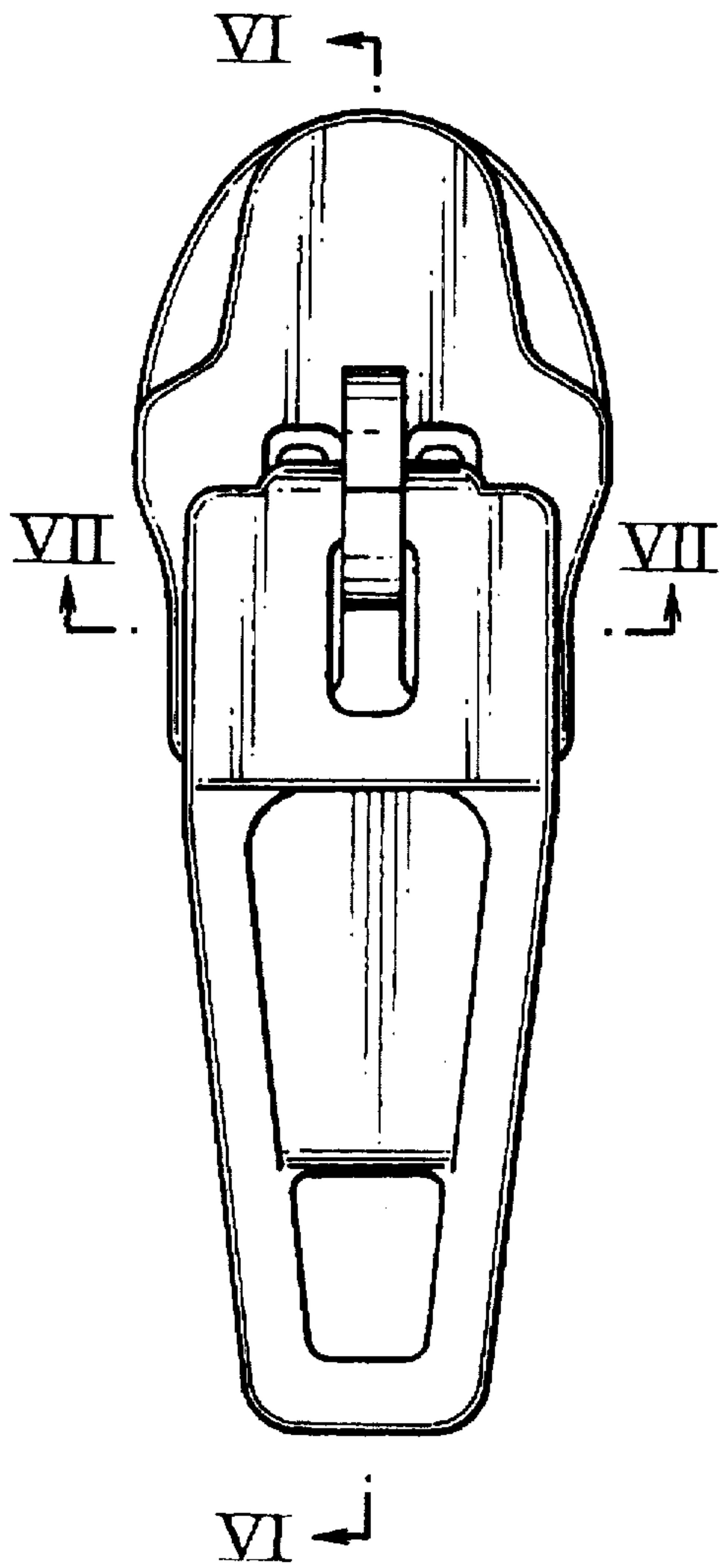


FIG. 2

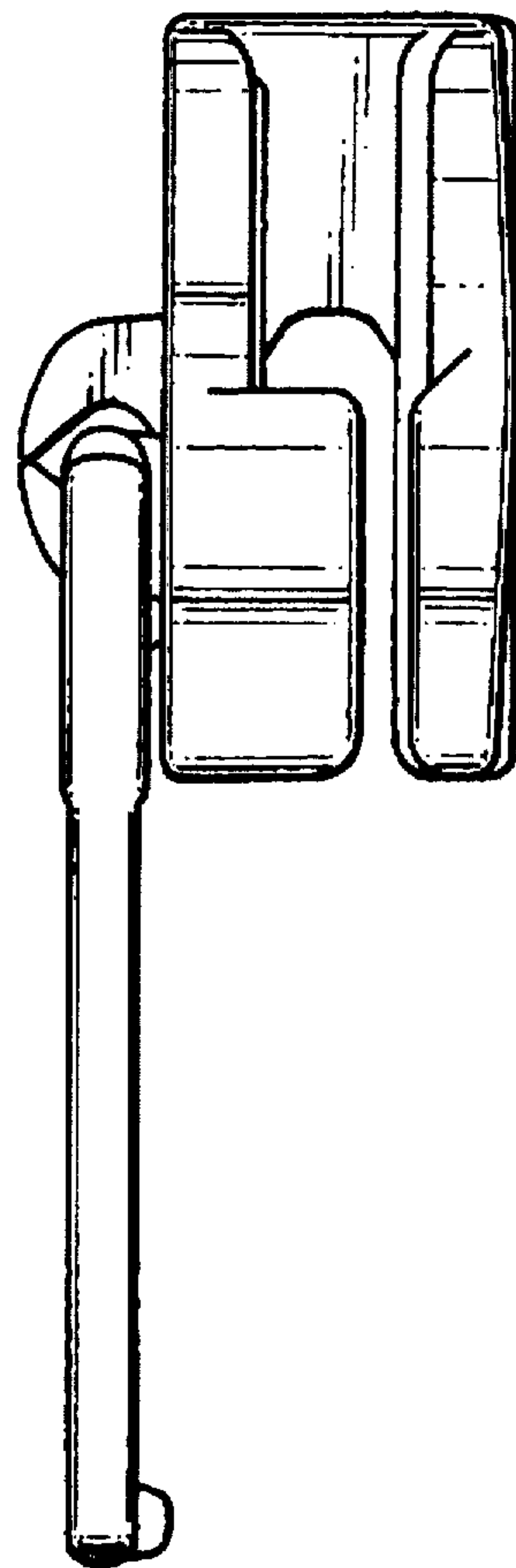


FIG. 3

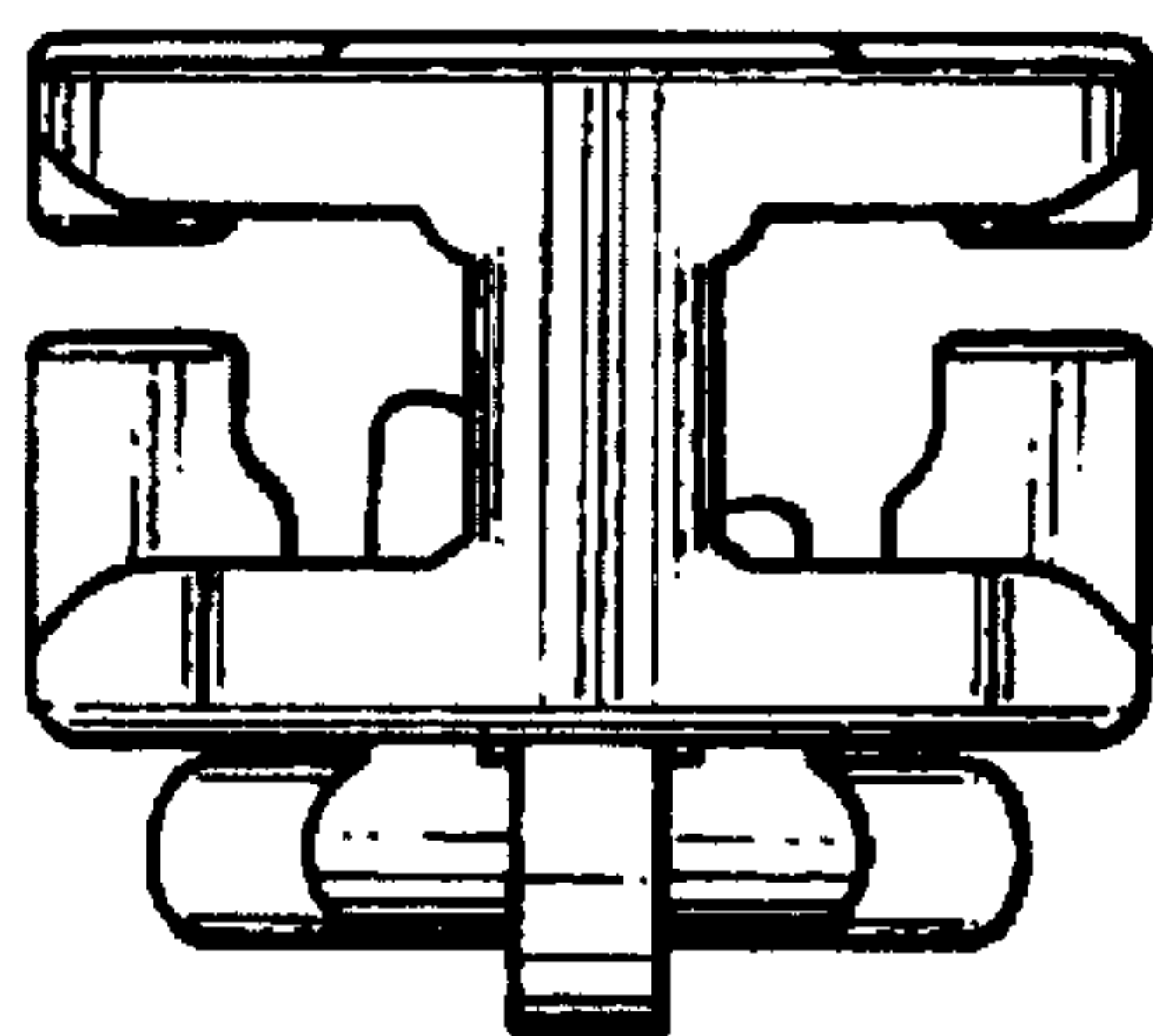


FIG. 4

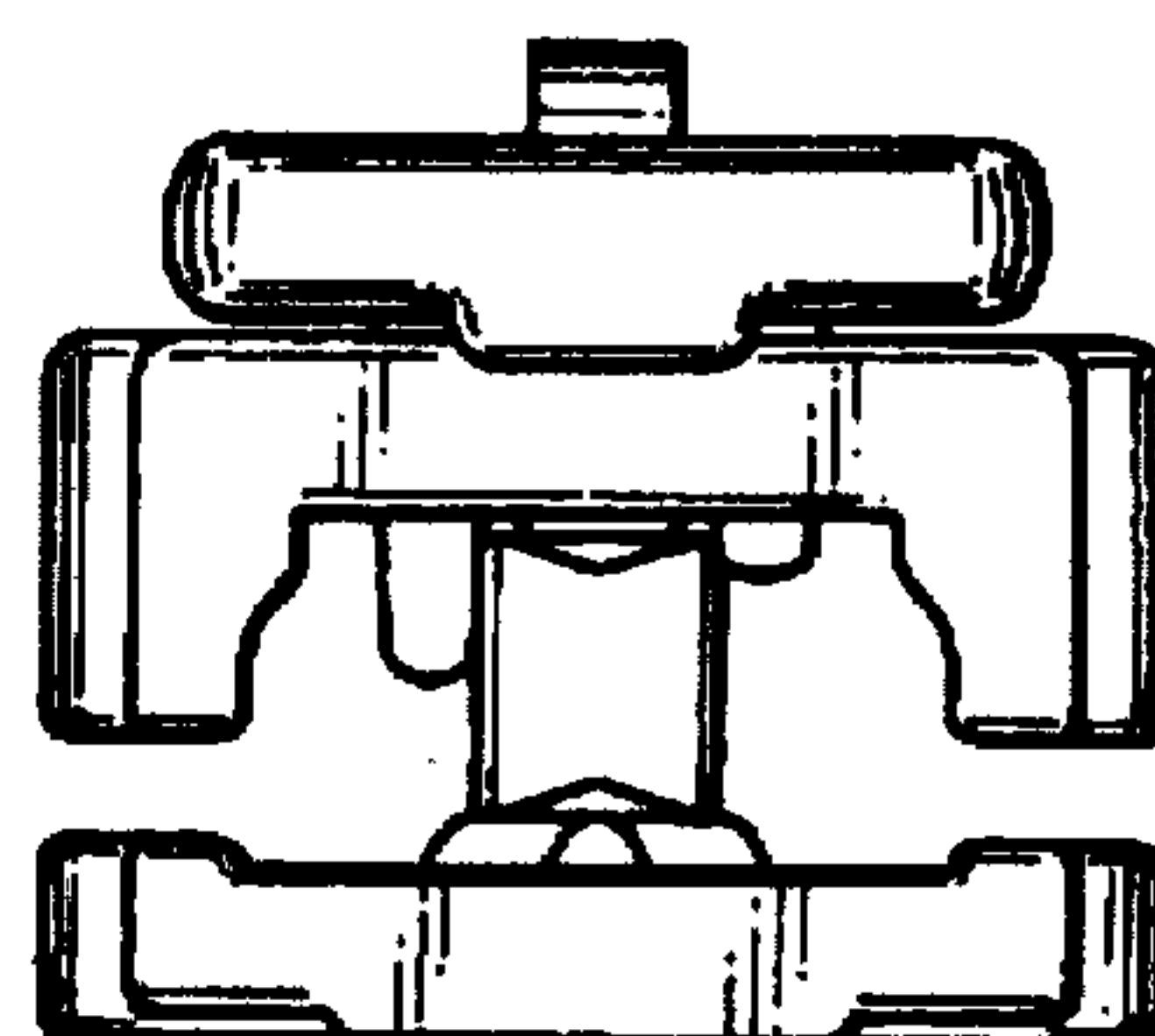


FIG. 5

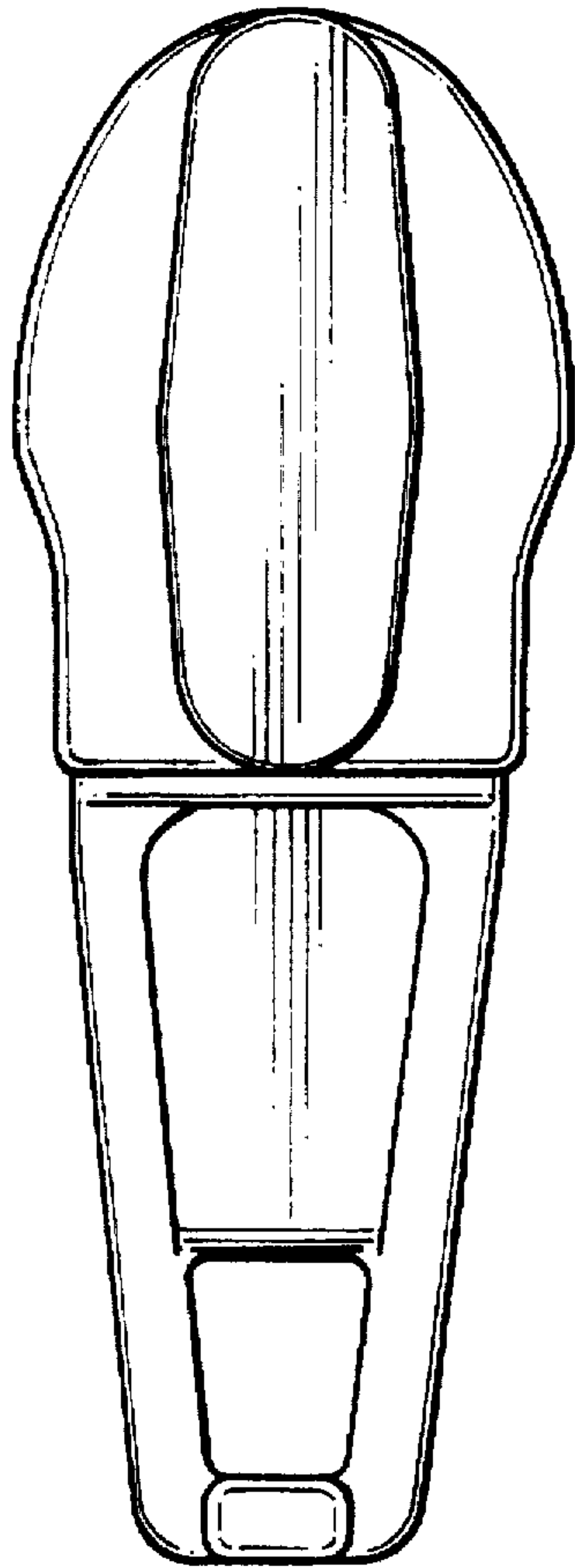


FIG. 6

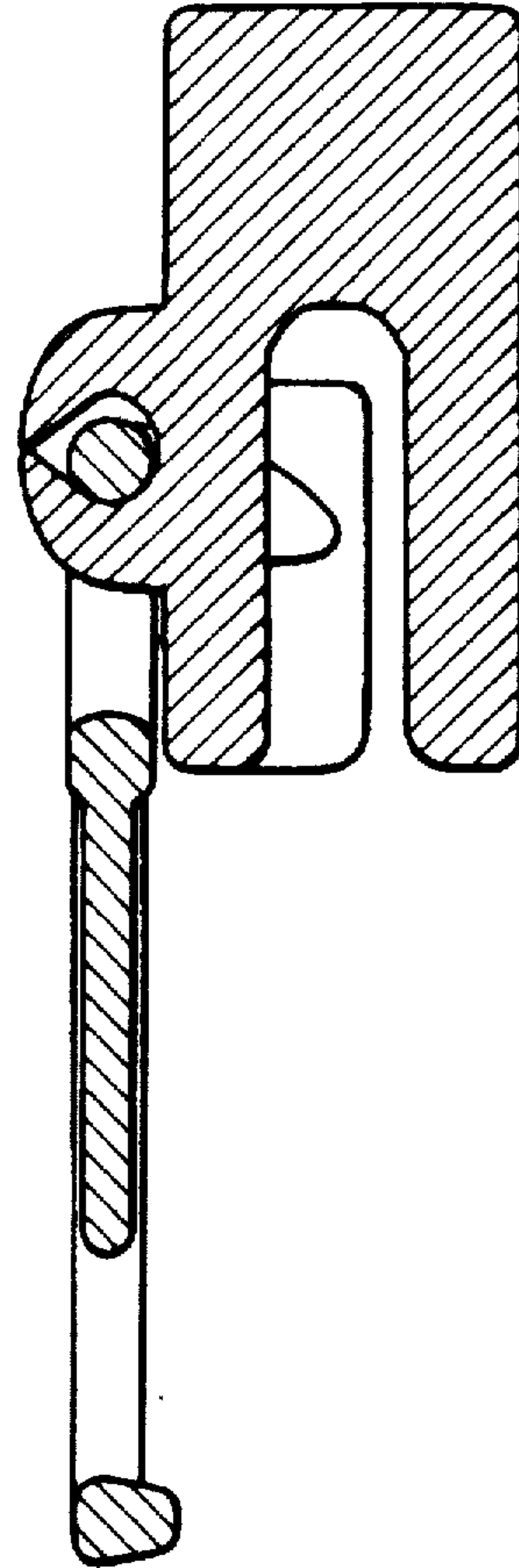


FIG. 7

