



US00D386715S

United States Patent [19]

Graham et al.

[11] Patent Number: **Des. 386,715**

[45] Date of Patent: ****Nov. 25, 1997**

[54] **MULTILOBED BOUQUET HOLDER**

[76] Inventors: **Kimberley D. J. Graham; Gene A. Duguay**, both of 2317 North Rice Lake Road, R.R. #6, Peterborough, Ontario, Canada, K9J 6X7

[**] Term: **14 Years**

[21] Appl. No.: **52,098**

[22] Filed: **Mar. 22, 1996**

[30] **Foreign Application Priority Data**

Sep. 22, 1995 [CA] Canada 1995-2119

[51] LOC (6) Cl. **11-02**

[52] U.S. Cl. **D11/143; D11/147; D11/164**

[58] Field of Search D11/143, 144, D11/146, 147, 164; D6/403, 556; 47/66, 41.01, 41.1, 41.11-41.15; 206/423; 248/27.8

[56] **References Cited**

U.S. PATENT DOCUMENTS

- D. 226,213 1/1973 Meyer D11/147
- D. 247,616 3/1978 Meyer D11/146
- D. 349,663 8/1994 Spicer D11/164
- 4,204,365 5/1980 Hirvi 47/41.12 X
- 4,566,221 1/1986 Kossin 47/41.12

- 5,070,644 12/1991 Hasty 47/41.12
- 5,414,957 5/1995 Kenney 47/41.12
- 5,454,189 10/1995 Graham et al. 47/41.12

FOREIGN PATENT DOCUMENTS

1151128 5/1969 United Kingdom .

OTHER PUBLICATIONS

Florists' Review dated Dec. 22, 1977, p. 46.

Primary Examiner—Caron D. Veynar
Attorney, Agent, or Firm—Barrigar & Moss

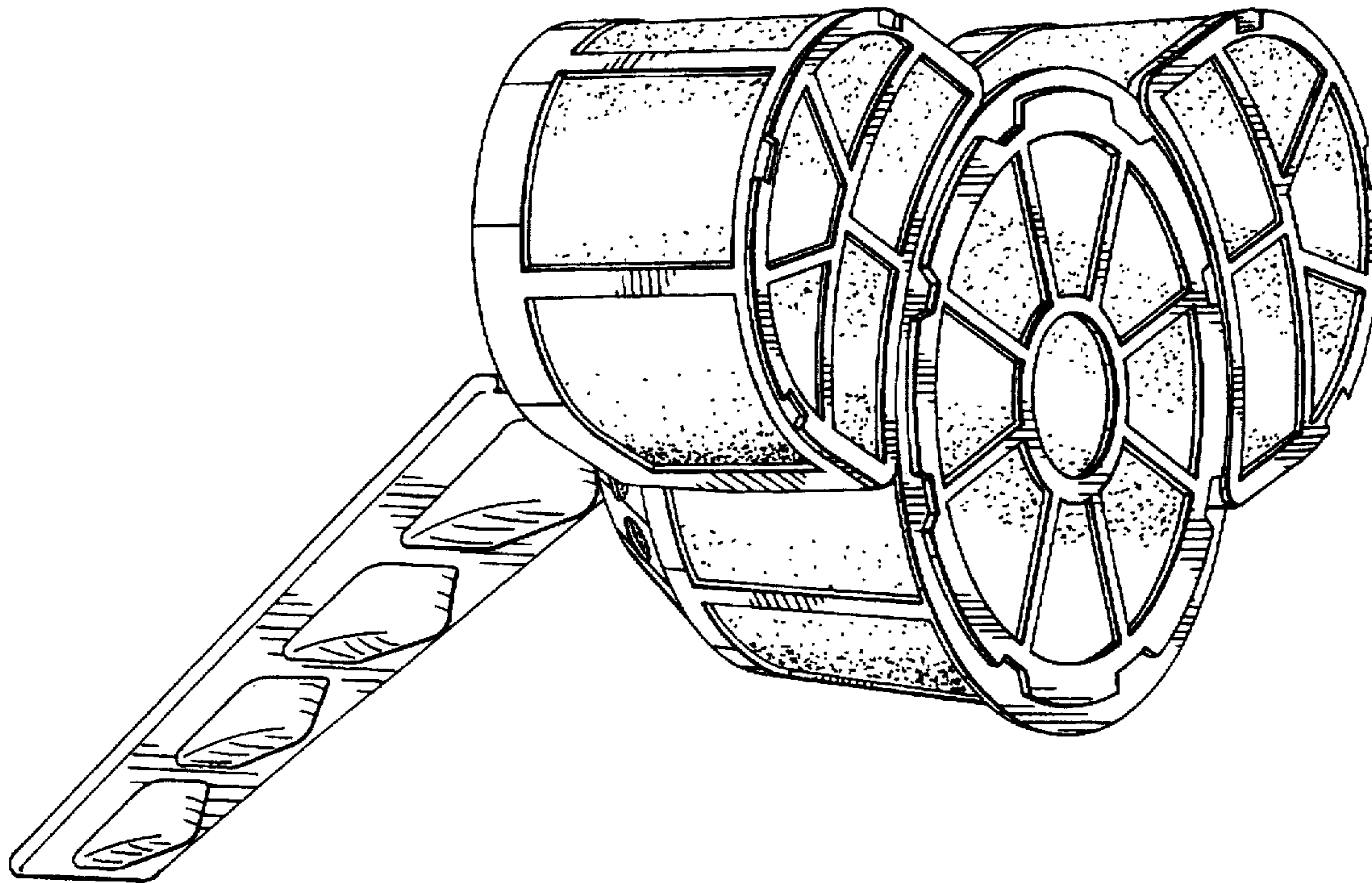
[57] **CLAIM**

The ornamental design for a multilobed bouquet holder, as shown and described.

DESCRIPTION

FIG. 1 is a front and side perspective view of a multilobed bouquet holder showing our new design;
 FIG. 2 is a front view thereof;
 FIG. 3 is a rear view thereof;
 FIG. 4 is a side view thereof, the opposite side being a mirror image of the side shown in FIG. 4;
 FIG. 5 is a top view thereof; and,
 FIG. 6 is a bottom view thereof.

1 Claim, 5 Drawing Sheets



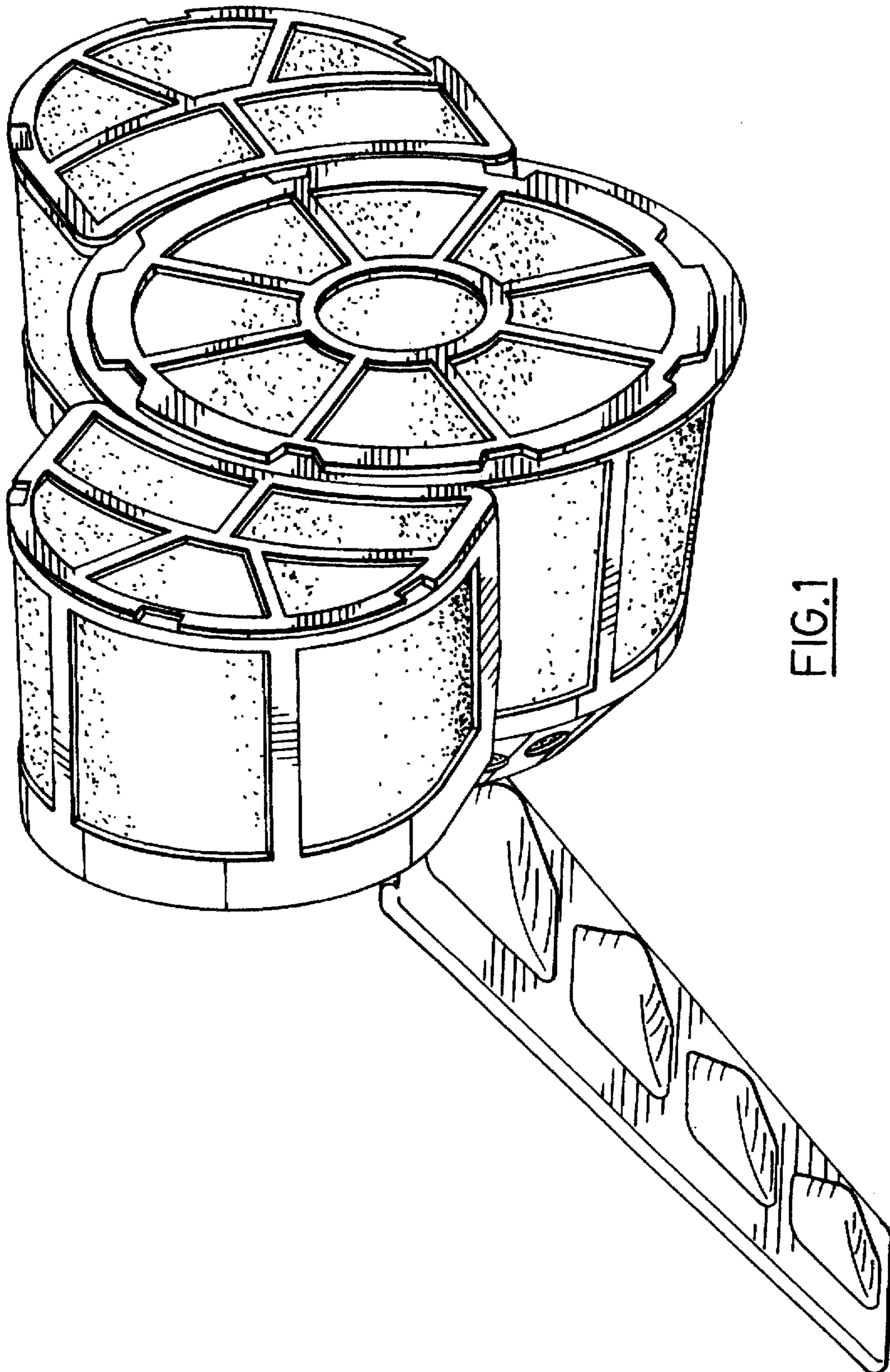


FIG. 1

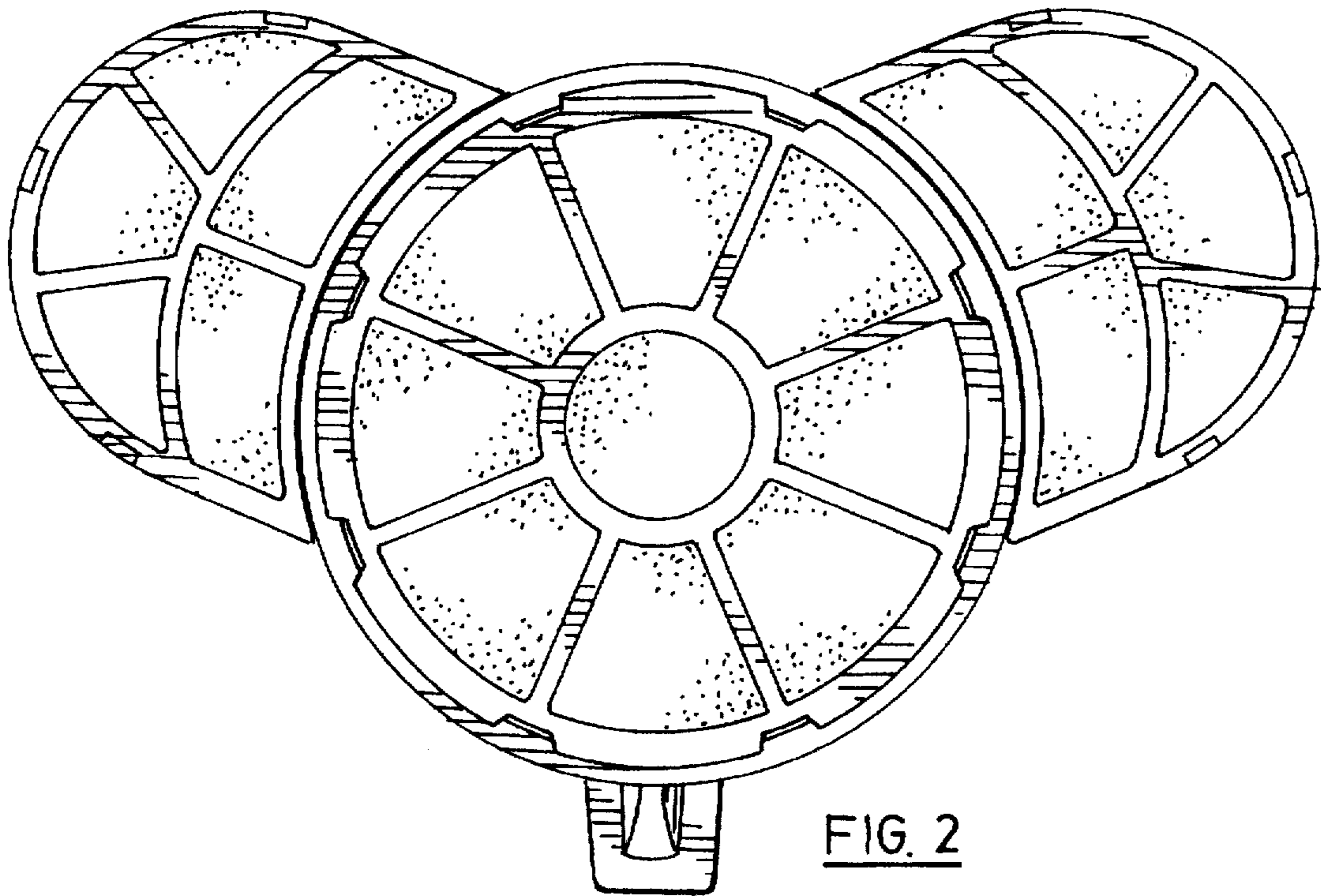


FIG. 2

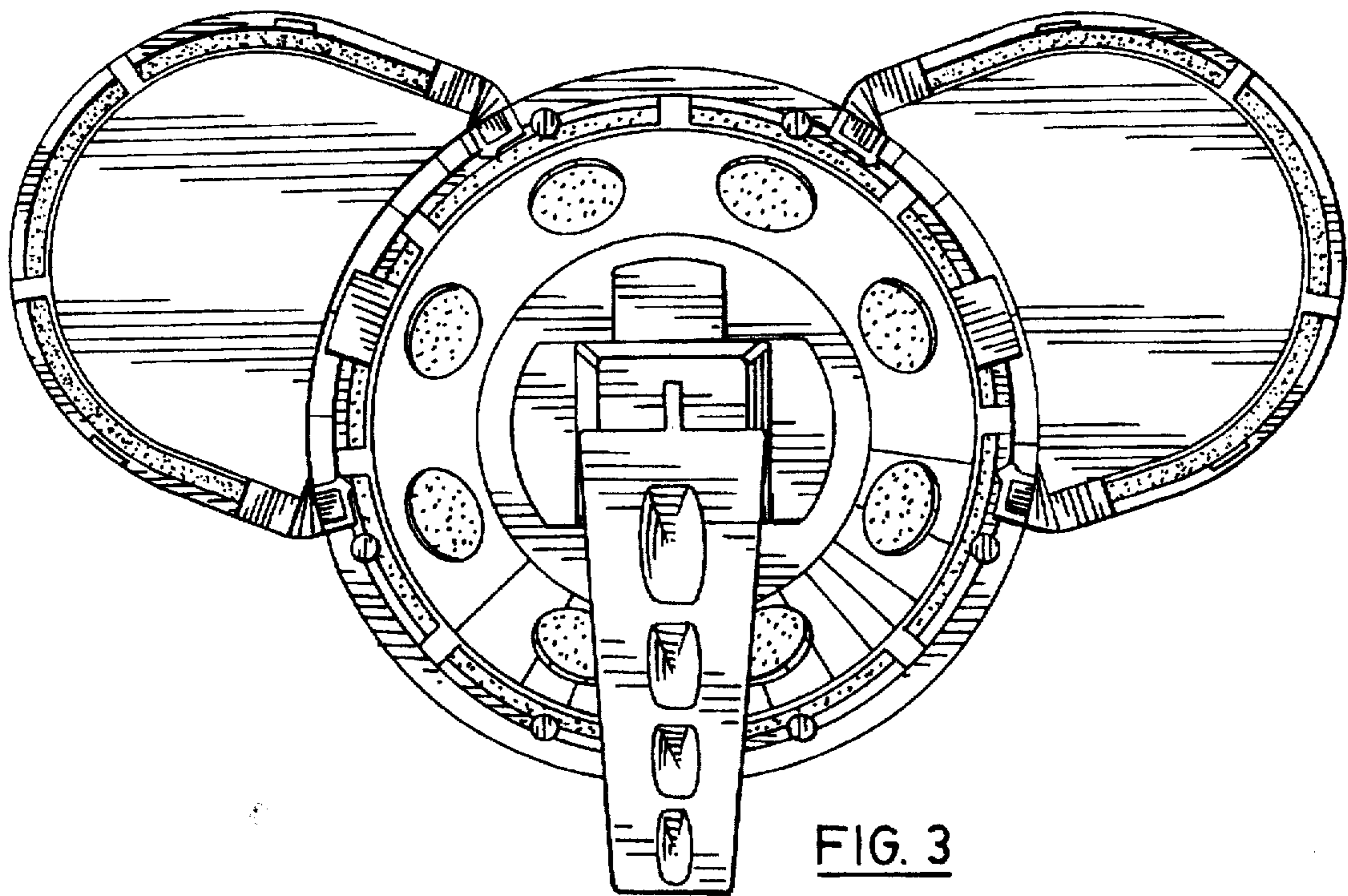


FIG. 3

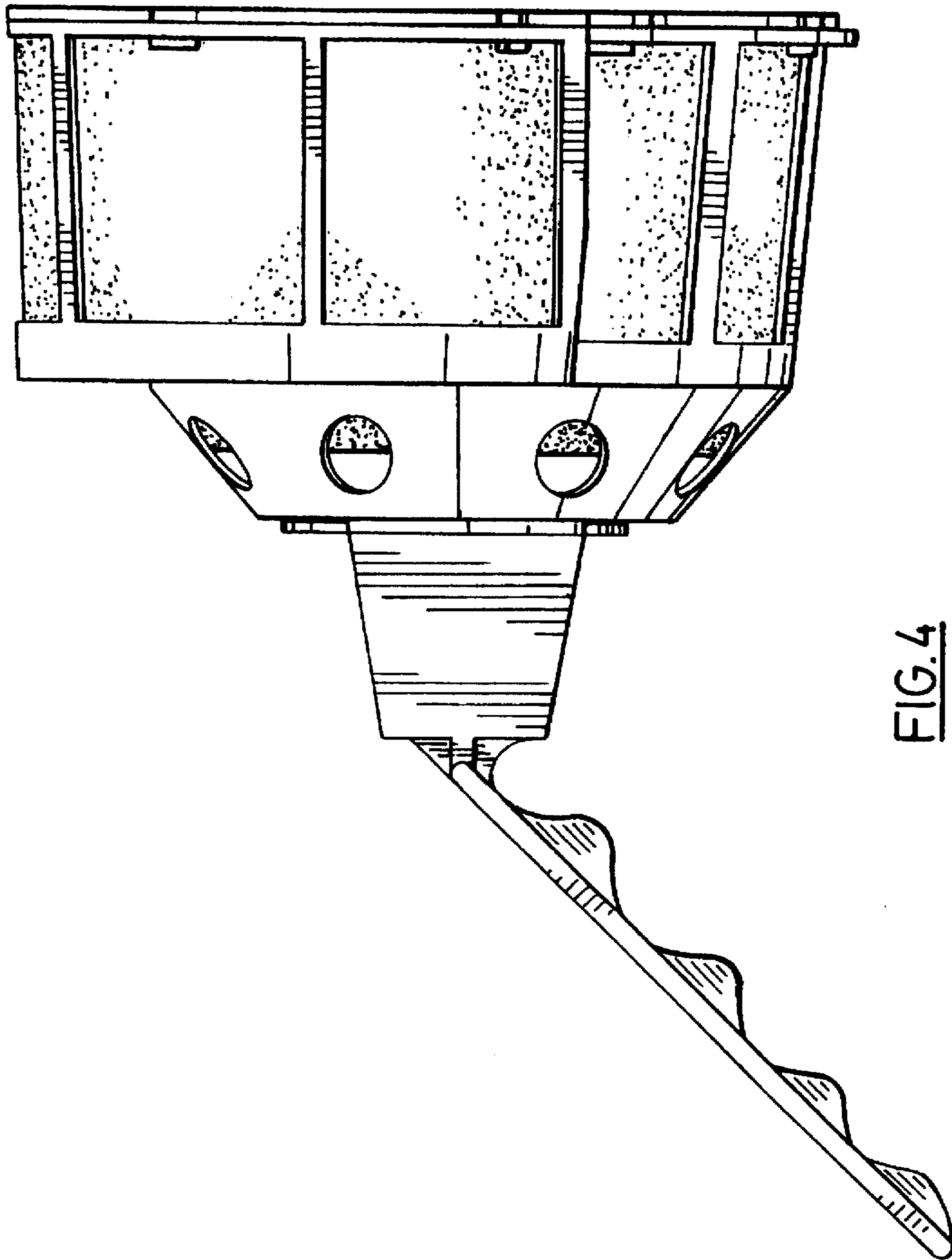


FIG. 4

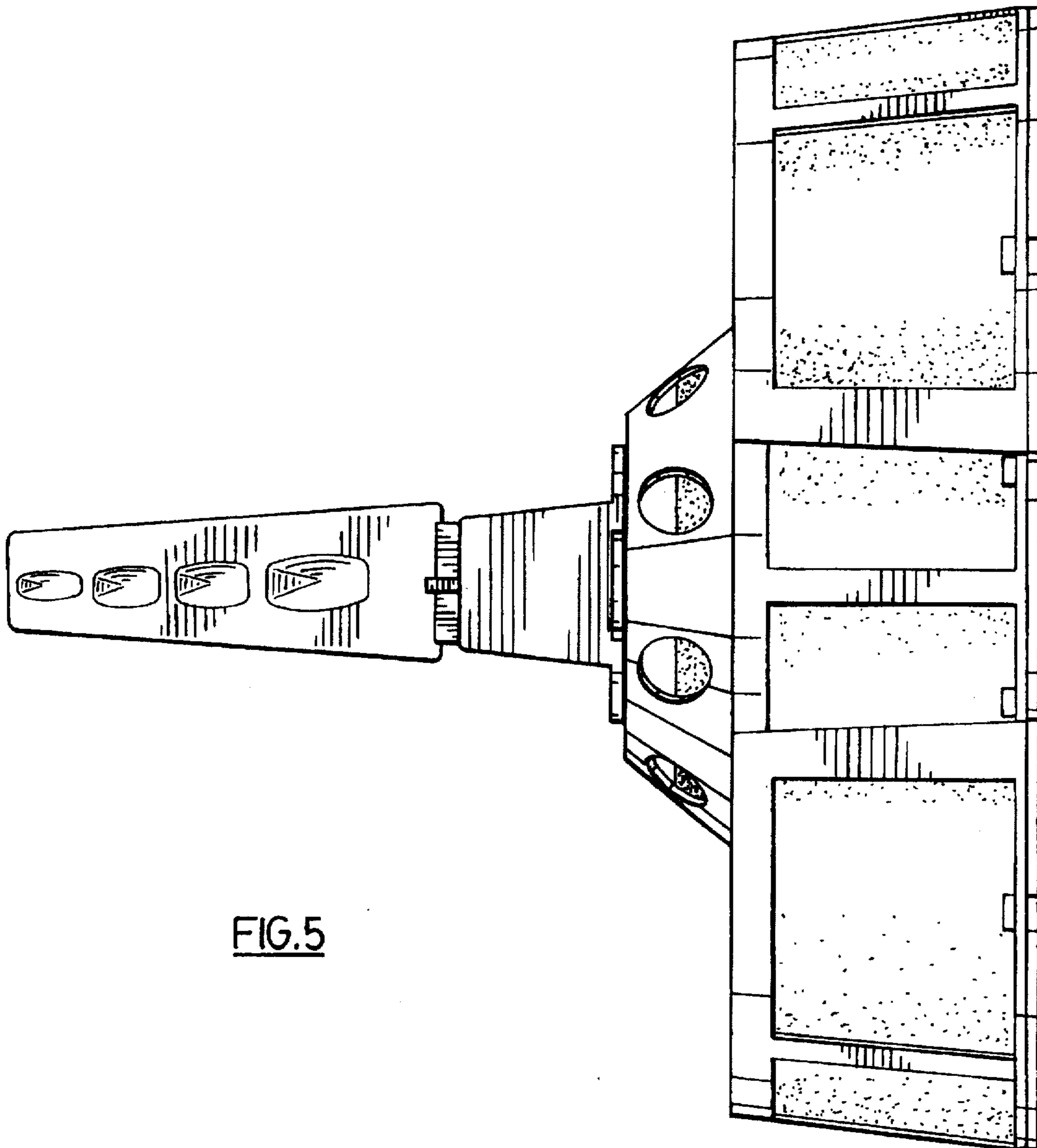


FIG.5

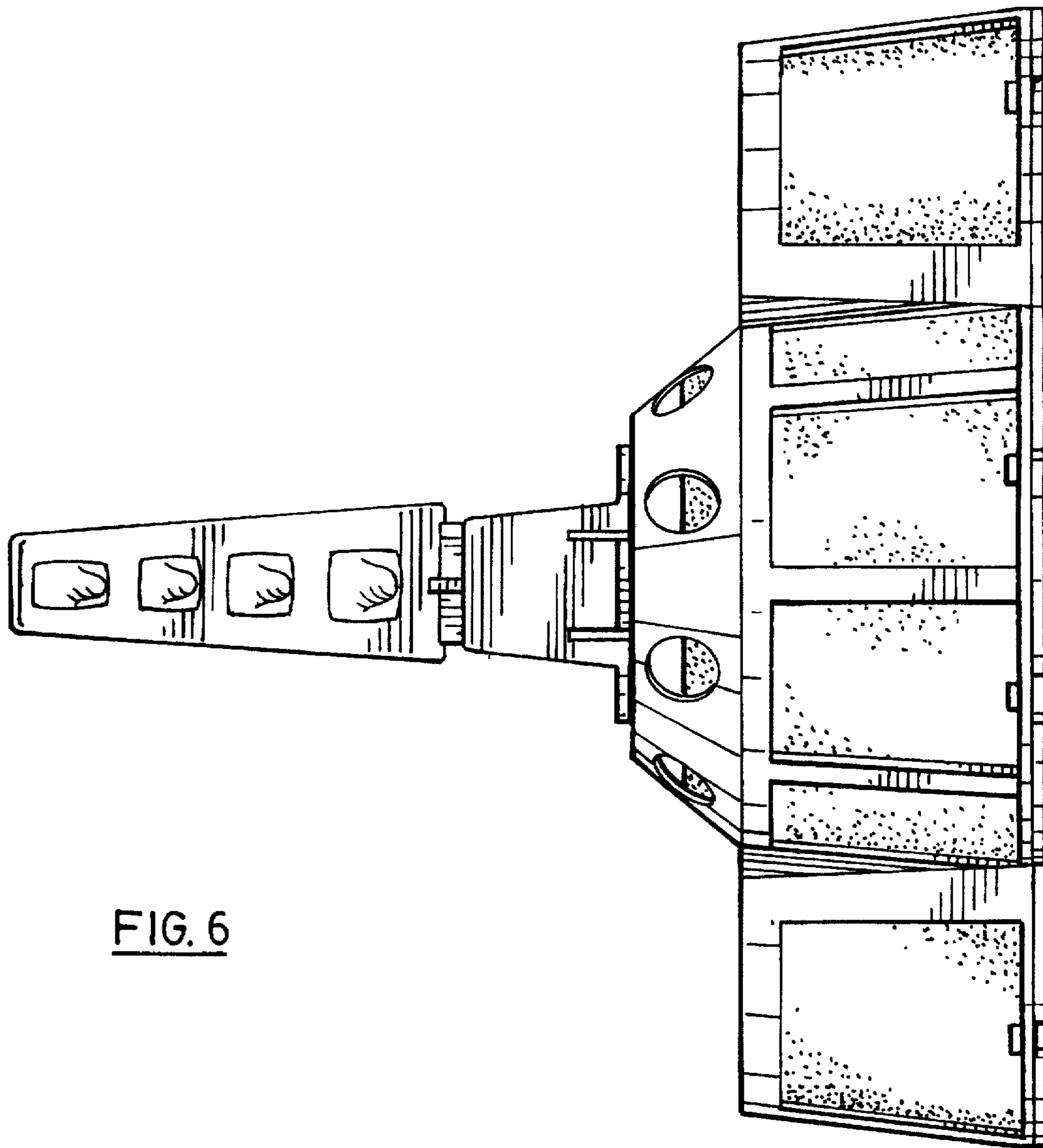


FIG. 6