



US00D386708S

United States Patent [19]
Sang

[11] **Patent Number: Des. 386,708**
[45] **Date of Patent: **Nov. 25, 1997**

[54] **BEZEL RING FOR A WATCH**
[75] **Inventor: Daniel Lai Kong Sang, Shatin, Hong Kong**
[73] **Assignee: Timex Corporation, Middlebury, Conn.**
[**] **Term: 14 Years**
[21] **Appl. No.: 56,597**
[22] **Filed: Jul. 3, 1996**
[51] **LOC (6) Cl. 10-02**
[52] **U.S. Cl. D10/128**
[58] **Field of Search 10/1-40, 122-132;
368/280-282, 276-277, 285, 294-295**

D. 364,572 11/1995 Goto D10/39
D. 366,426 1/1996 Kojima D10/39
D. 369,750 5/1996 Riley D10/30
D. 377,151 1/1997 Takeichi D10/39

Primary Examiner—Nelson C. Holtje
Attorney, Agent, or Firm—Paul A. Juhasz

[57] **CLAIM**

The ornamental design for a “bezel ring for a watch”, as shown and described.

DESCRIPTION

FIG. 1 is a perspective elevational view of a “bezel ring for a watch”;
FIG. 2 is a top plan view thereof;
FIG. 3 is a side elevational view thereof; the other side being a mirror image is not shown;
FIG. 4 is an end elevational view thereof; the other end being a mirror image is not shown; and,
FIG. 5 is a bottom plan view thereof.

[56] **References Cited**

U.S. PATENT DOCUMENTS

D. 323,126 1/1992 Kawashima D10/37
D. 329,386 9/1992 Burgener D10/30
D. 353,105 12/1994 Houlihan D10/30

1 Claim, 2 Drawing Sheets

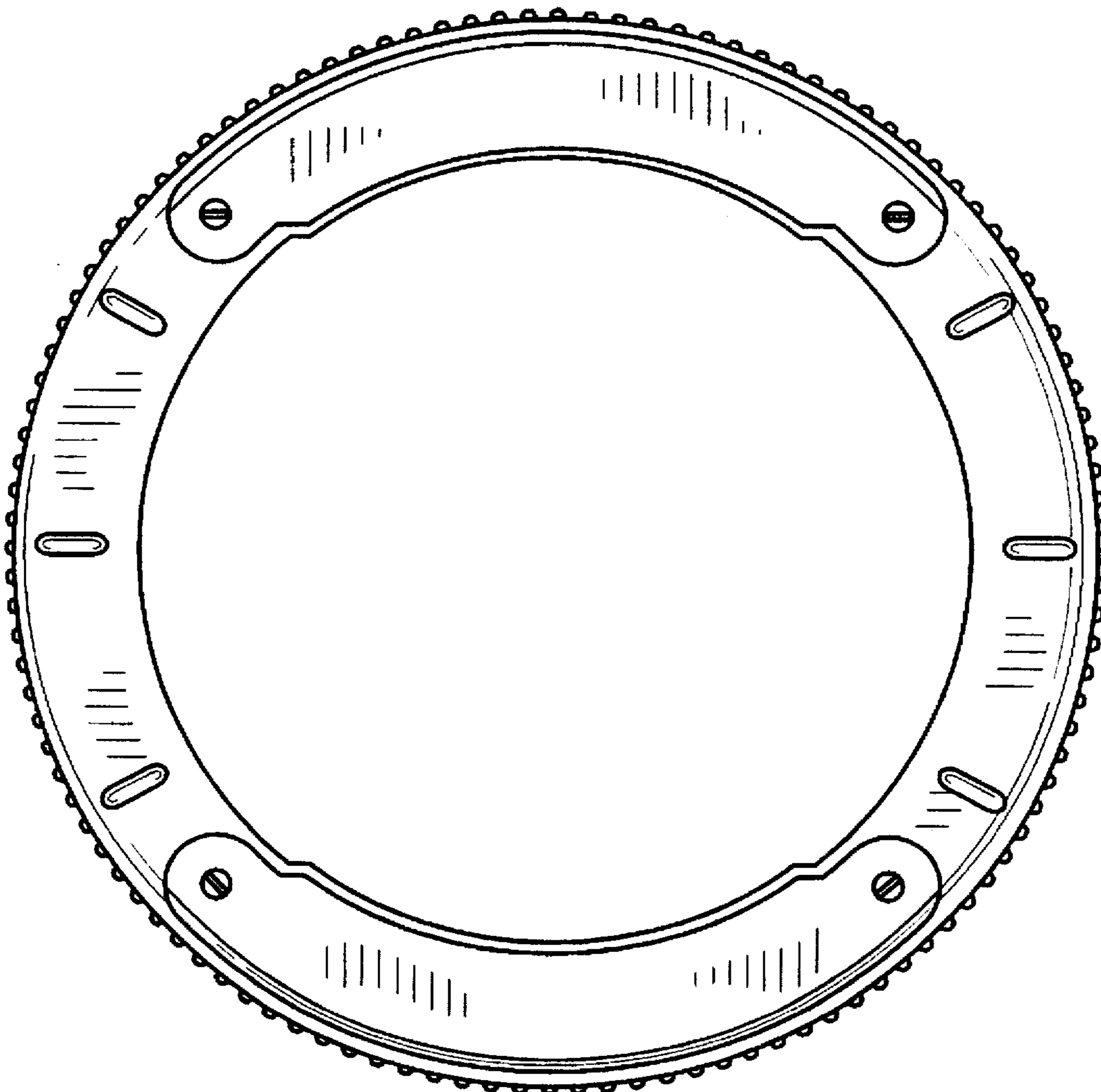


FIG. 1

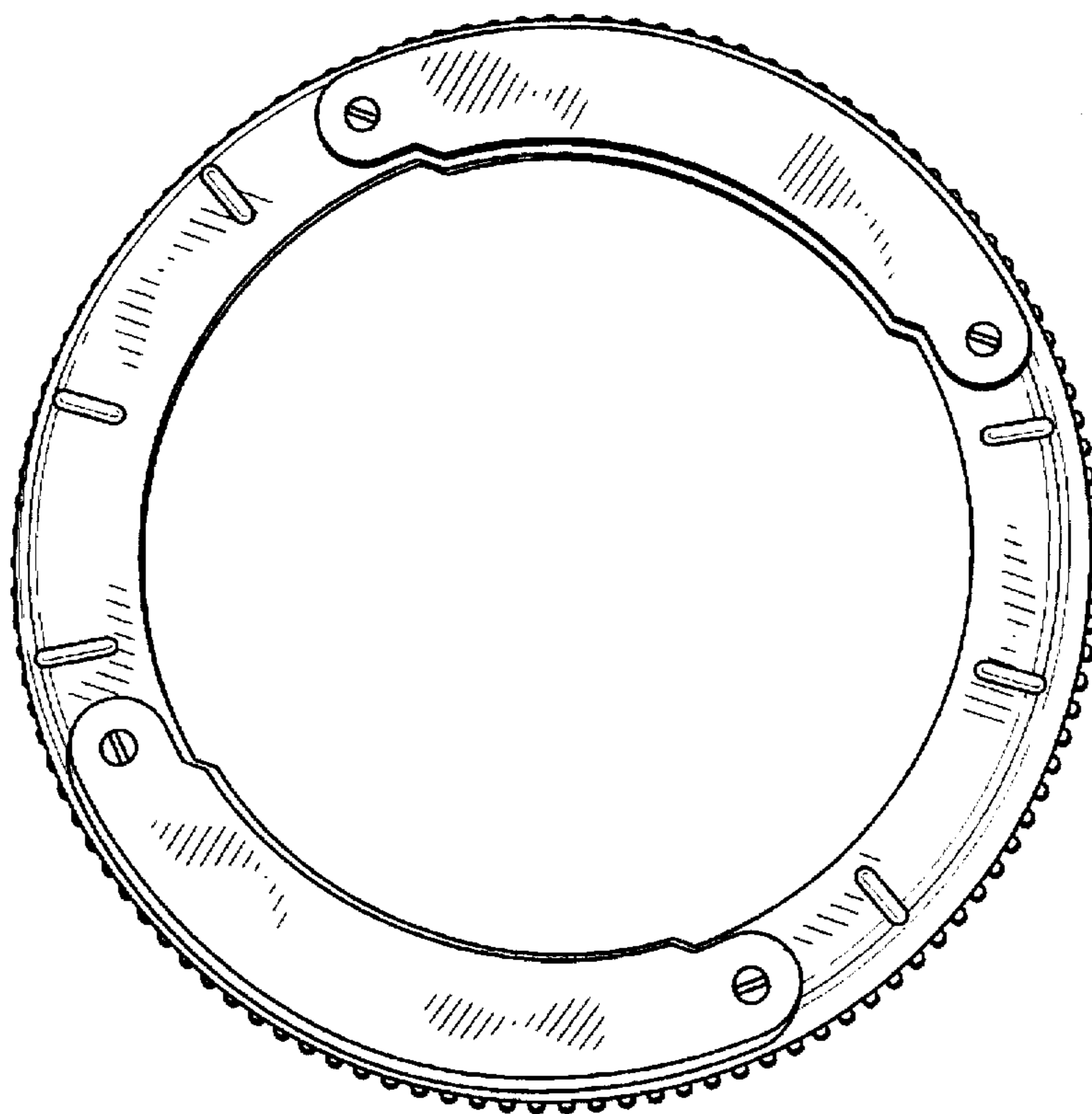


FIG. 3



FIG. 4



FIG. 2

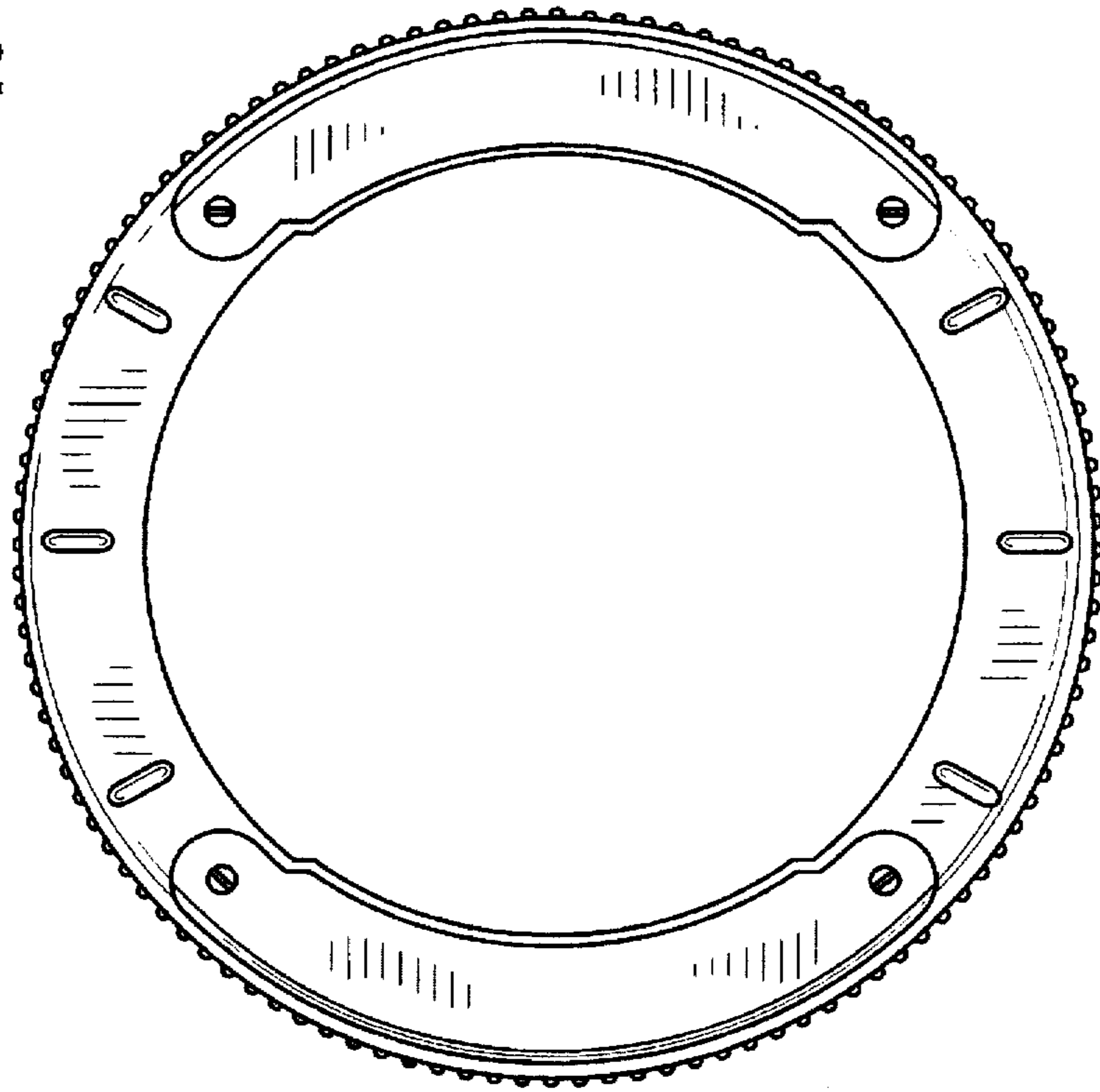


FIG. 5

