



US00D386705S

United States Patent [19]
Morgan

[11] **Patent Number: Des. 386,705**
[45] **Date of Patent: **Nov. 25, 1997**

[54] **COOLANT CONTAINER SAFETY CONE**

D. 295,026 4/1988 Lin D10/113

[76] **Inventor: Edward D. Morgan, 144 New London Tpke., Wyoming, R.I. 02898**

Primary Examiner—Marcus A. Jackson
Attorney, Agent, or Firm—Harold H. Dutton, Jr.; W. Charles L. Jamison; Diane S. Liebman

[**] **Term: 14 Years**

[57] **CLAIM**

[21] **Appl. No.: 43,695**

The ornamental design for a coolant container safety cone, as shown and described.

[22] **Filed: Sep. 11, 1995**

DESCRIPTION

[51] **LOC (6) Cl. 10-05**

[52] **U.S. Cl. D10/113**

[58] **Field of Search** D10/109, 111, D10/113, 121; 404/6, 7, 8, 9, 10, 11, 12, 13, 14, 15, 16; 116/63 P, 63 C, 63 T

FIG. 1 is a front perspective view of a coolant container safety cone showing my new design; FIG. 2 is a rear view thereof; FIG. 3 is a right side view thereof; FIG. 4 is a left side view thereof; FIG. 5 is a top view thereof; and, FIG. 6 is a bottom view thereof.

[56] **References Cited**

U.S. PATENT DOCUMENTS

D. 218,719 9/1970 Peters D10/111

1 Claim, 3 Drawing Sheets

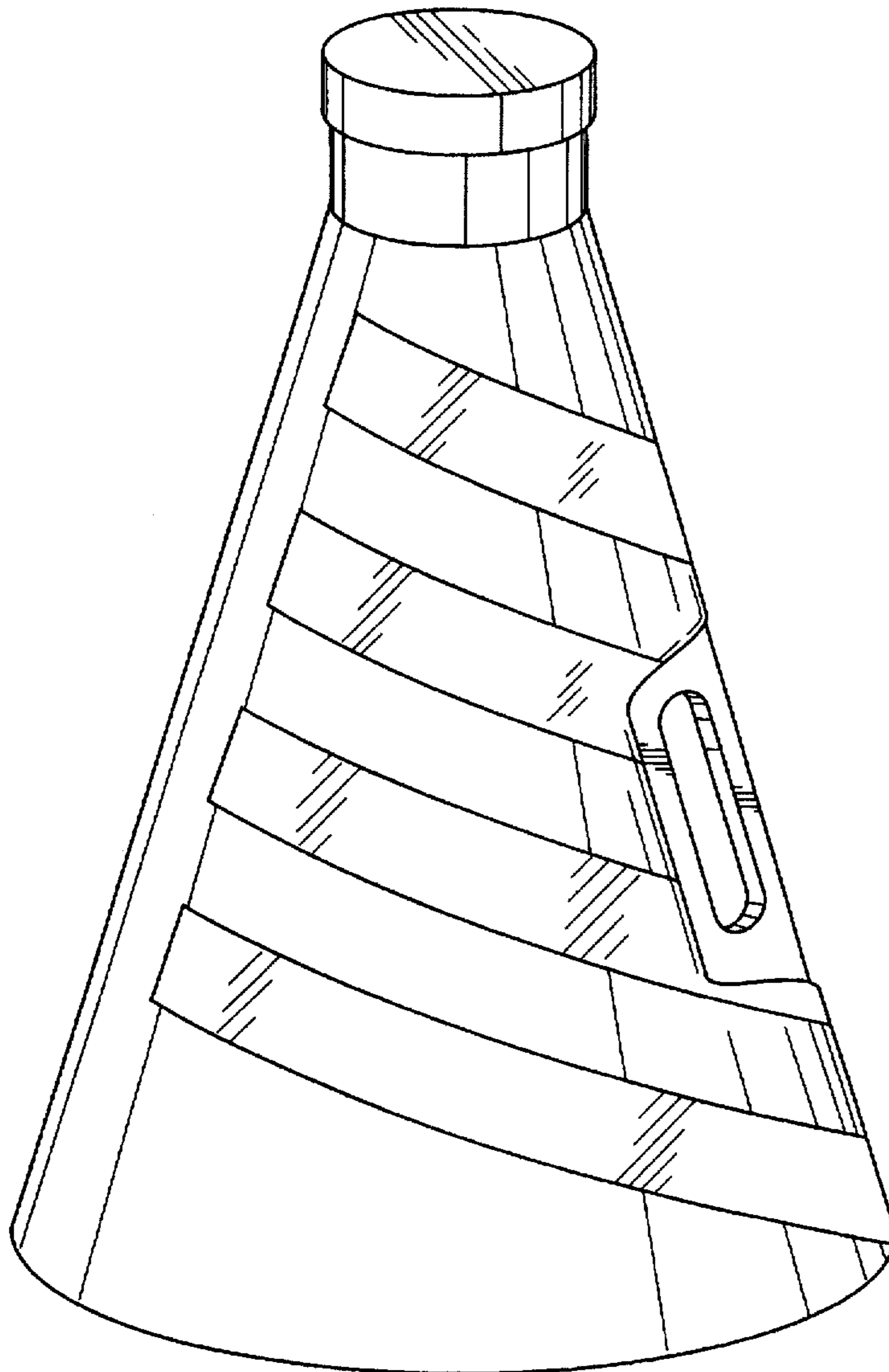
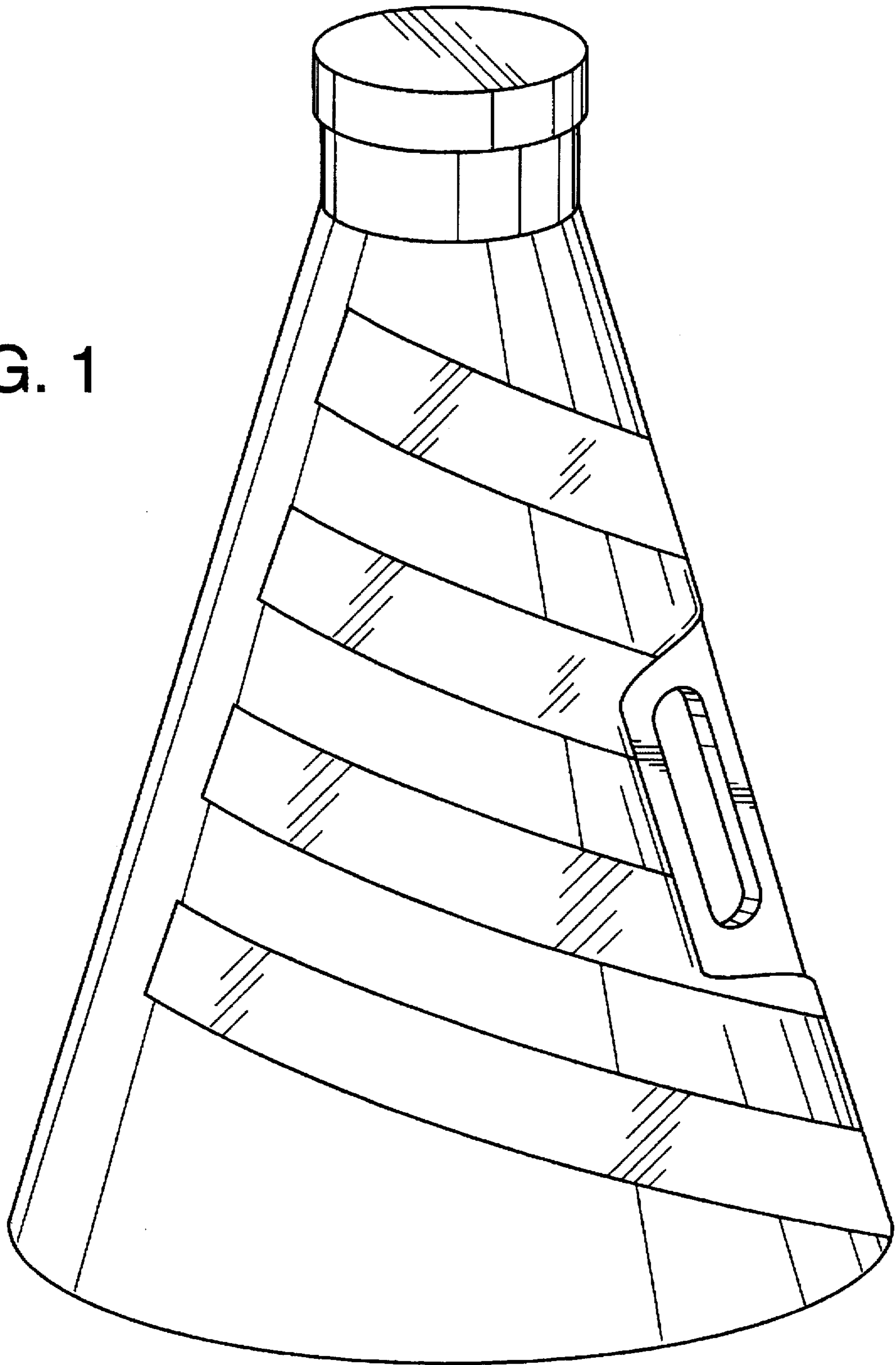


FIG. 1



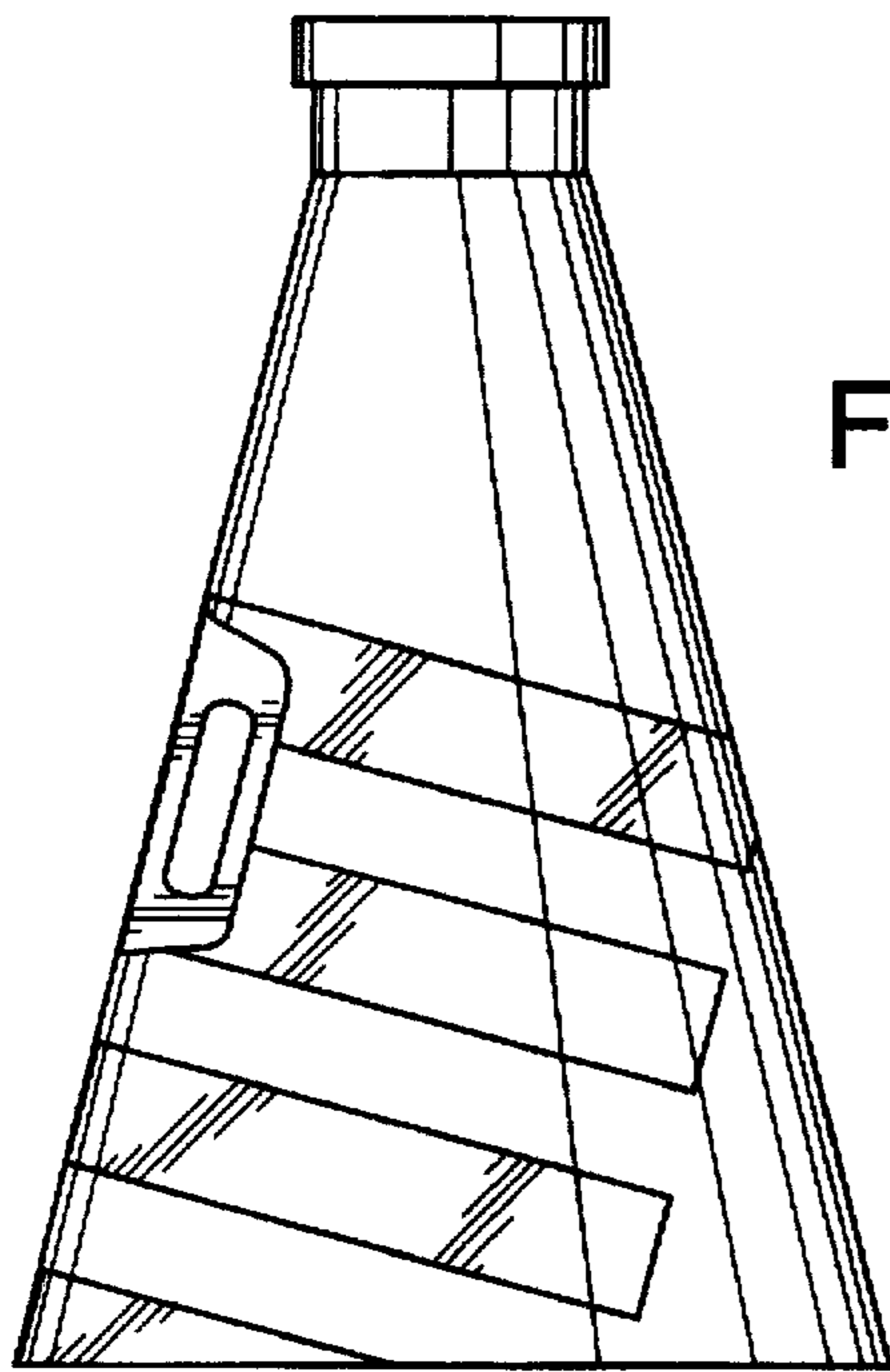


FIG. 2

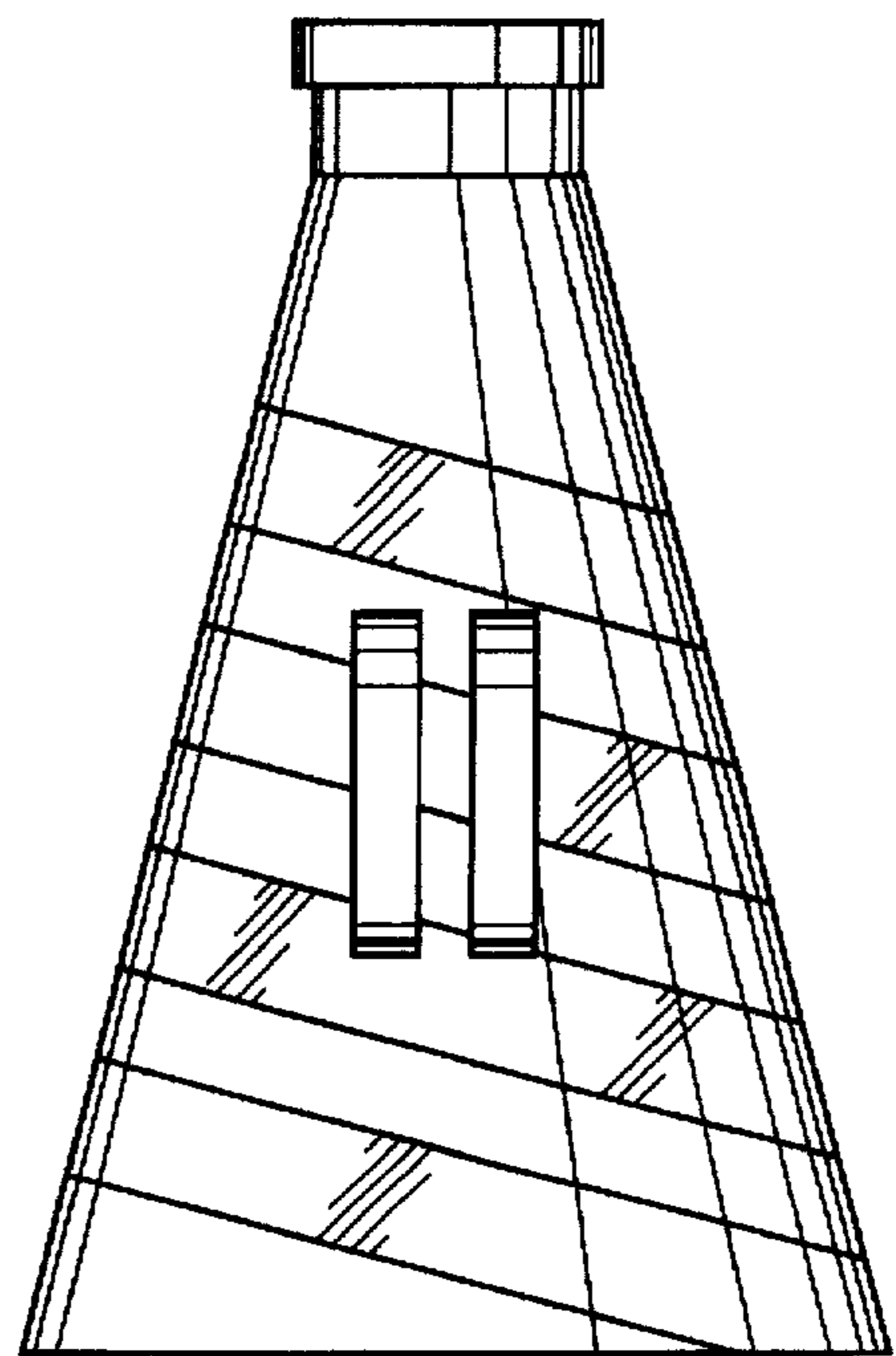
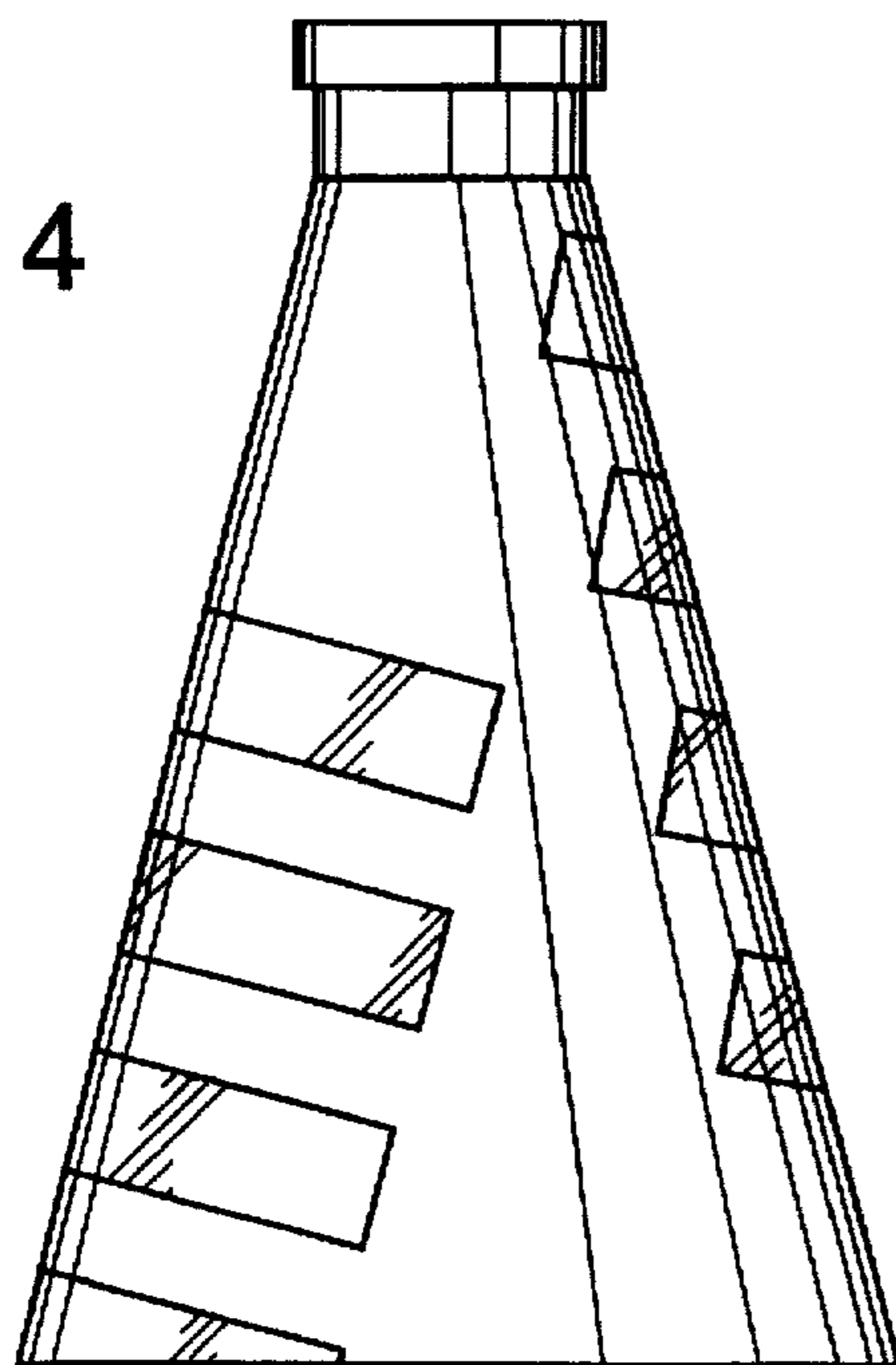


FIG. 3

FIG. 4



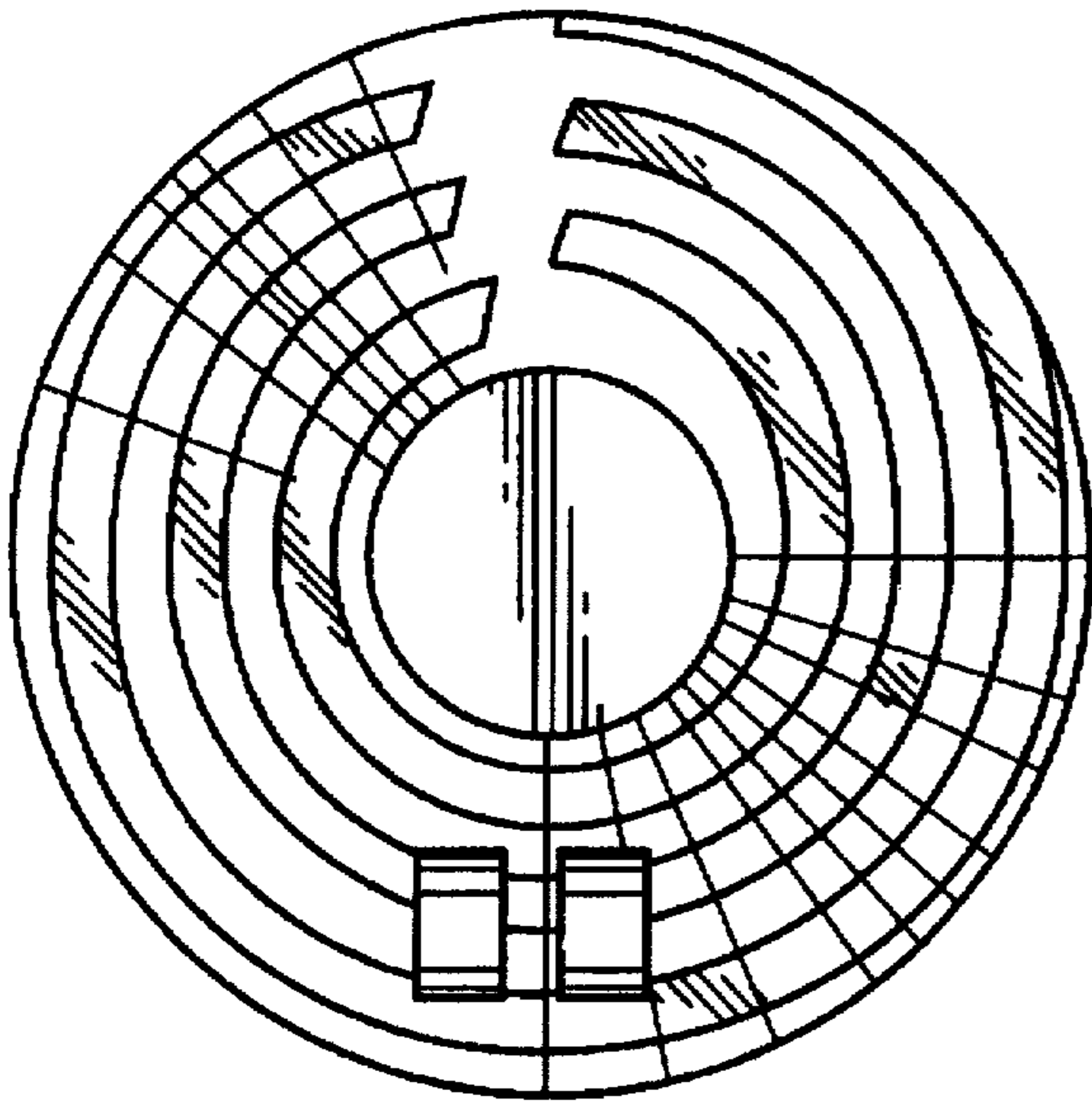


FIG. 5

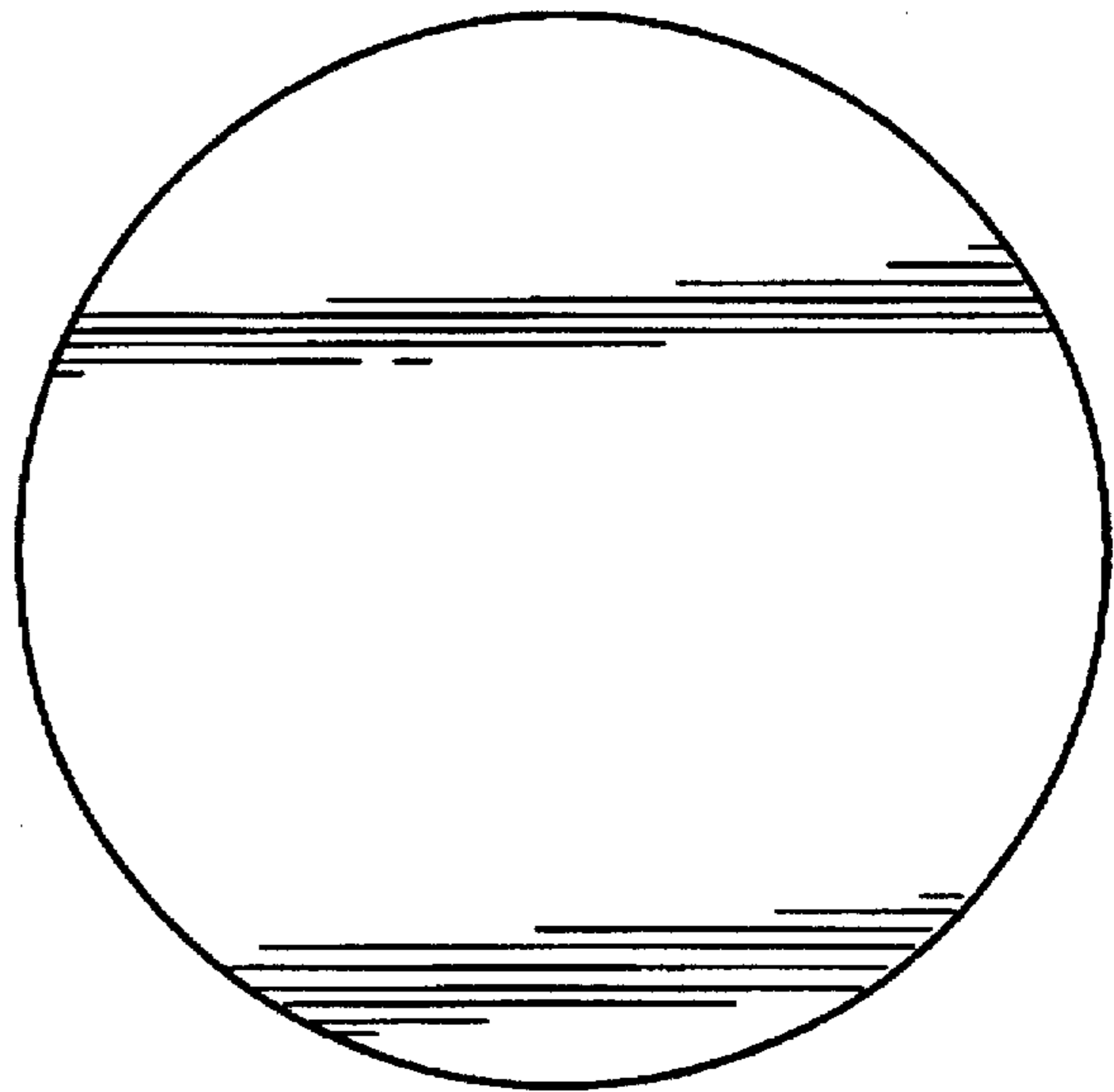


FIG. 6