



US00D386704S

United States Patent [19]
Chang

[11] **Patent Number: Des. 386,704**

[45] **Date of Patent: **Nov. 25, 1997**

[54] **ANTI-BURGLAR POCKET ALARM**

[76] **Inventor: Gin-Sung Chang**, No. 229-21,
Kuang-Ming Rd., Chien-Chu Tsun,
Wu-Jih Hsiang, Taichung Hsien, Taiwan

[**] **Term: 14 Years**

[21] **Appl. No.: 56,446**

[22] **Filed: Jun. 28, 1996**

[51] **LOC (6) Cl. 10-05**

[52] **U.S. Cl. D10/106**

[58] **Field of Search** D10/104, 106,
D10/116, 121; 340/540, 541, 542, 543,
544, 545, 546, 547, 551, 571, 572, 573,
689

[56] **References Cited**

U.S. PATENT DOCUMENTS

D. 283,806 5/1986 Harris D10/106

D. 311,349 10/1990 Walsh D10/106
D. 325,356 4/1992 Kin Man Tse D10/106
D. 355,863 2/1995 Collins D10/106
D. 356,517 3/1995 Chui Zak Sang D10/106
D. 362,816 10/1995 Yuen D10/106

Primary Examiner—Marcus A. Jackson
Attorney, Agent, or Firm—Ladas & Parry

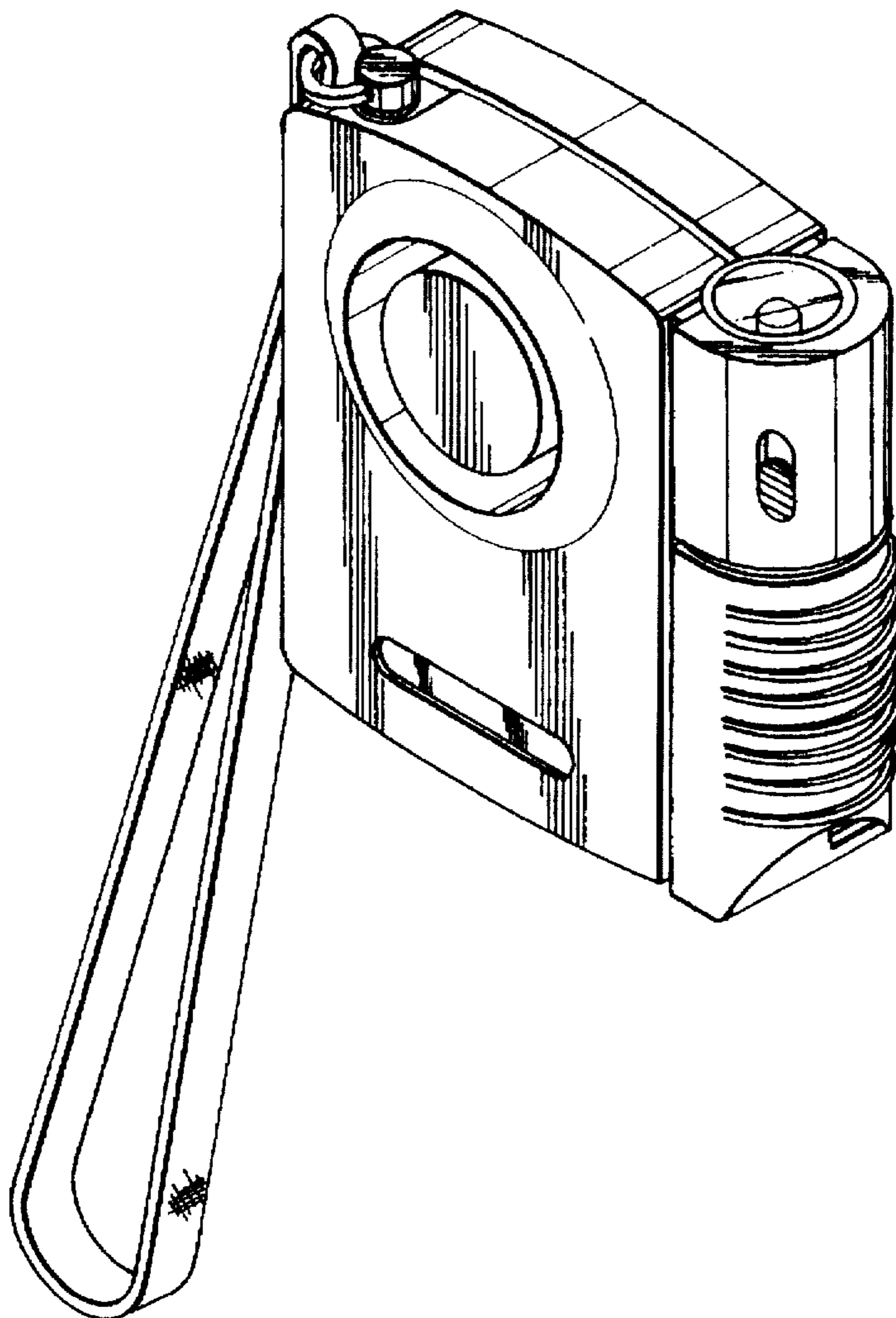
[57] **CLAIM**

The ornamental design for an anti-burglar pocket alarm, as shown and described.

DESCRIPTION

FIG. 1 is a perspective view of an anti-burglar pocket alarm showing my new design;
FIG. 2 is a front elevational view thereof;
FIG. 3 is a rear elevational view thereof;
FIG. 4 is a left side elevational view thereof;
FIG. 5 is a right side elevational view thereof;
FIG. 6 is a top plan view thereof; and,
FIG. 7 is a bottom plan view thereof.

1 Claim, 4 Drawing Sheets



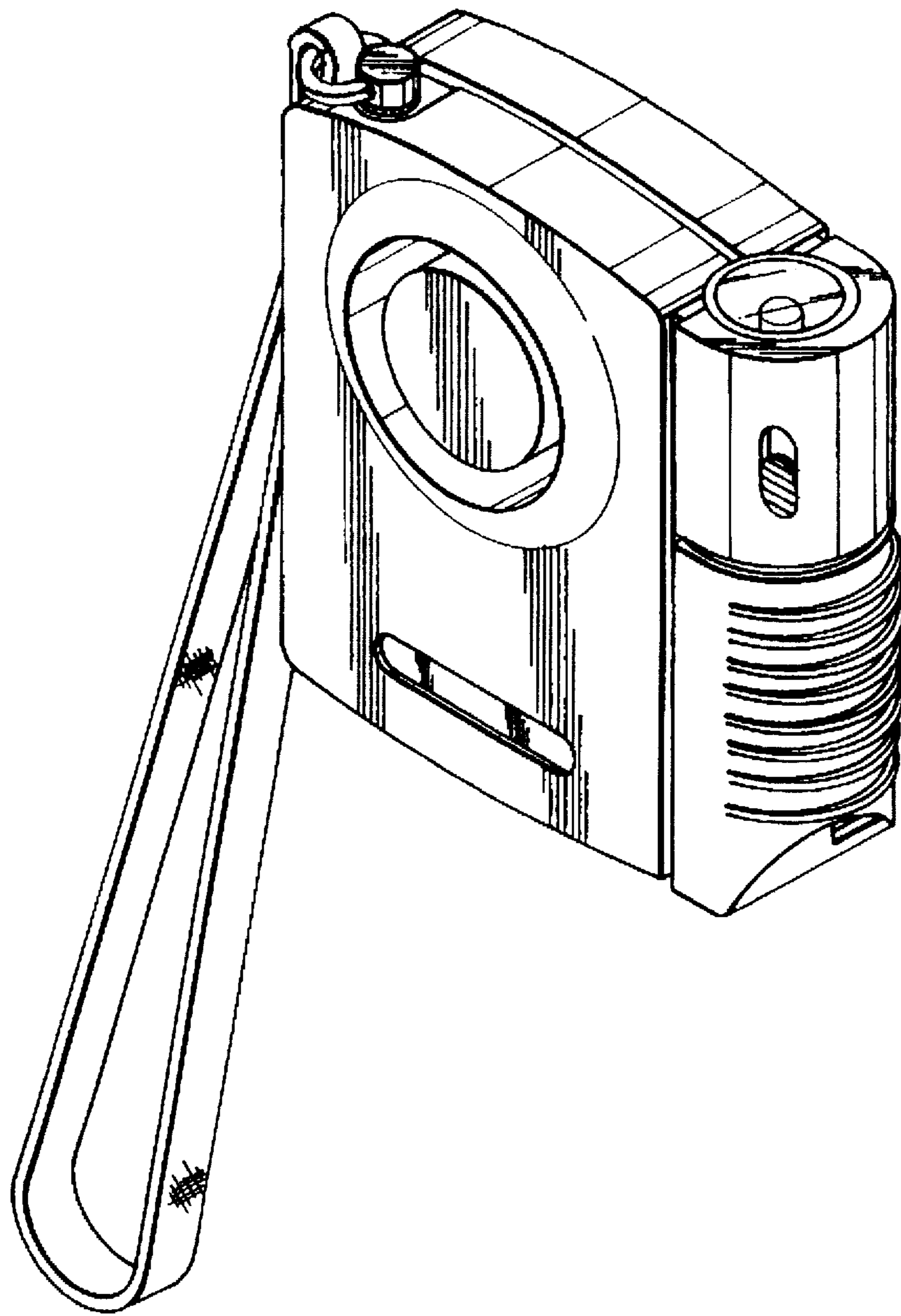


FIG. 1

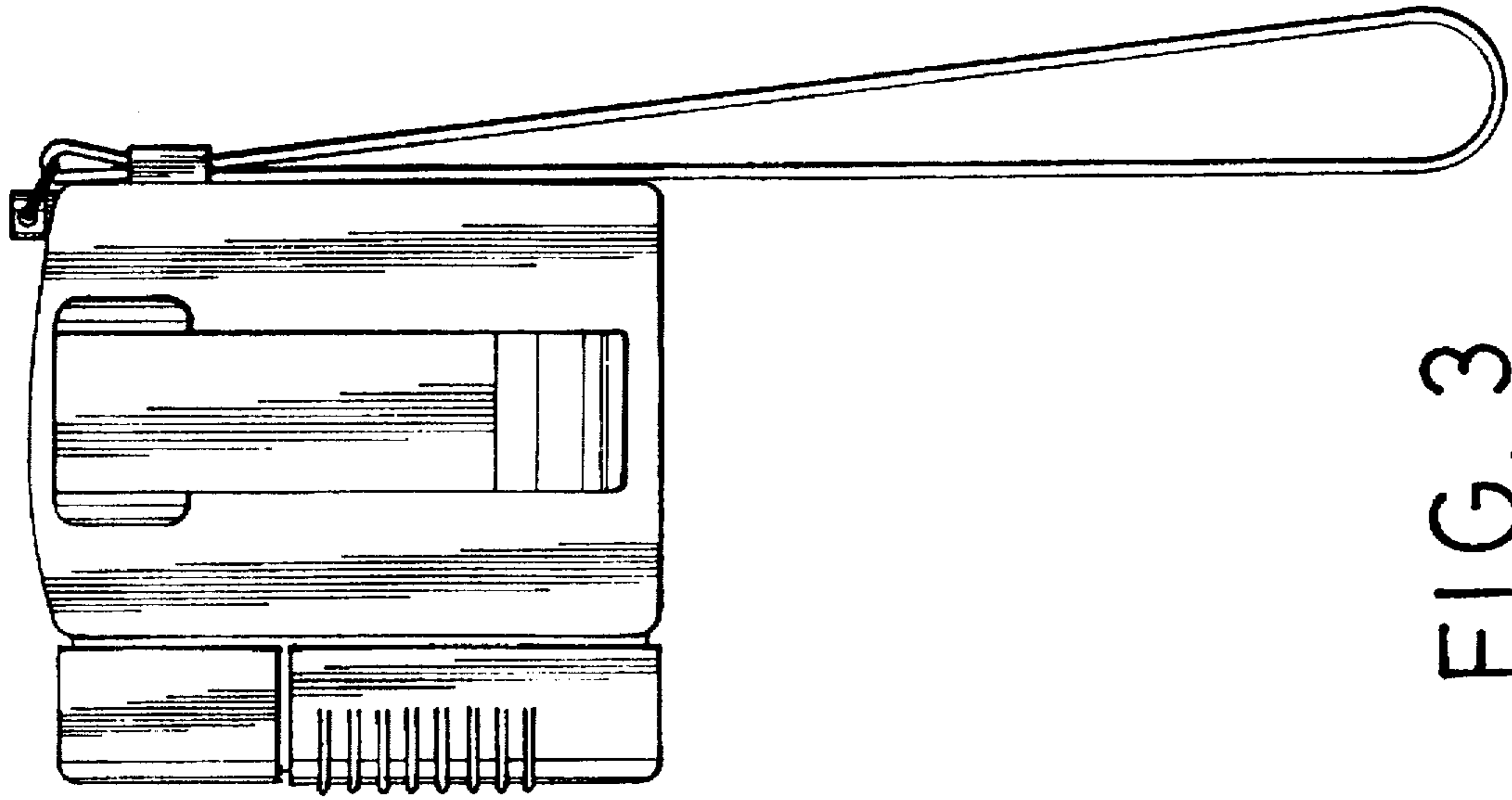


FIG. 2

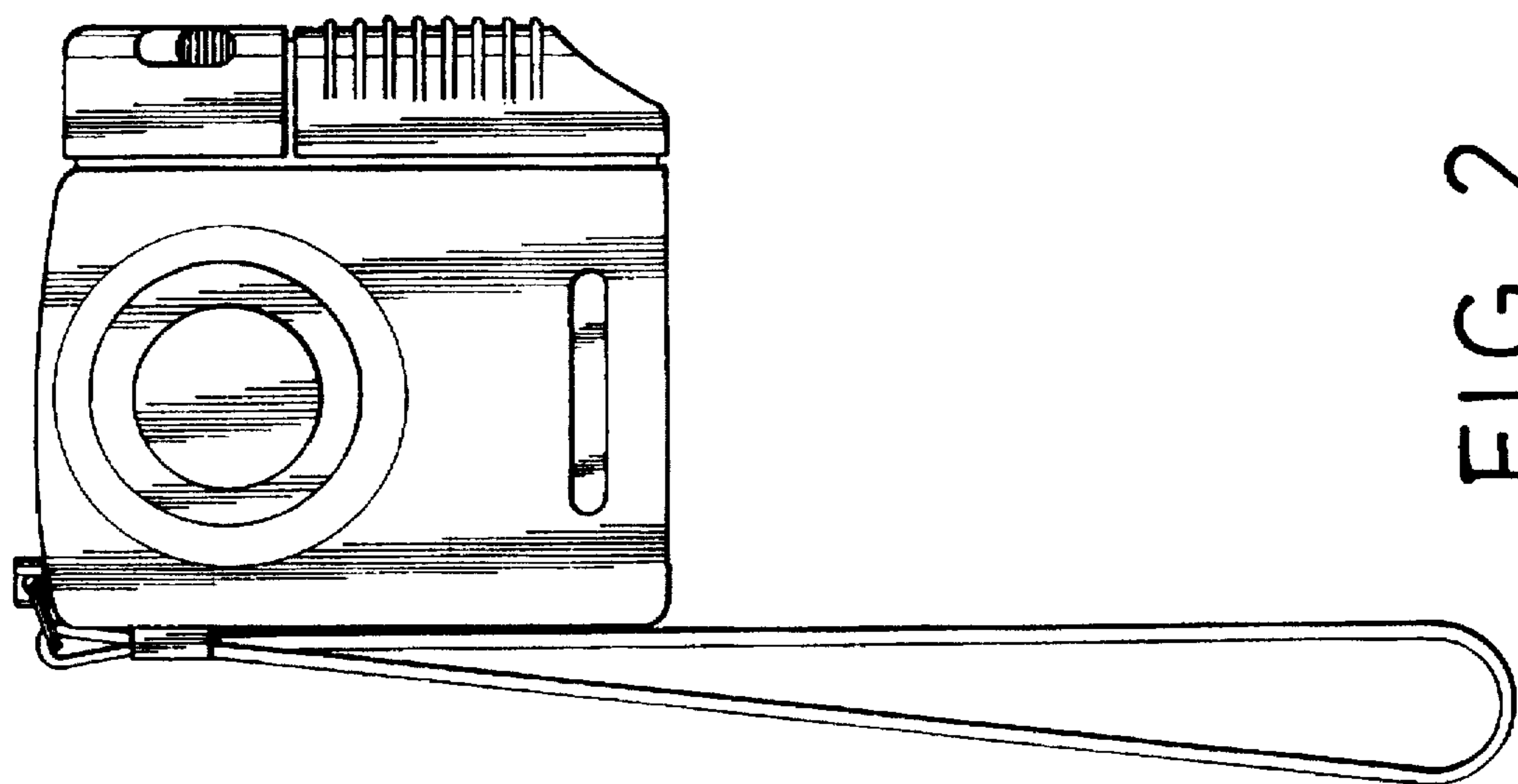


FIG. 3

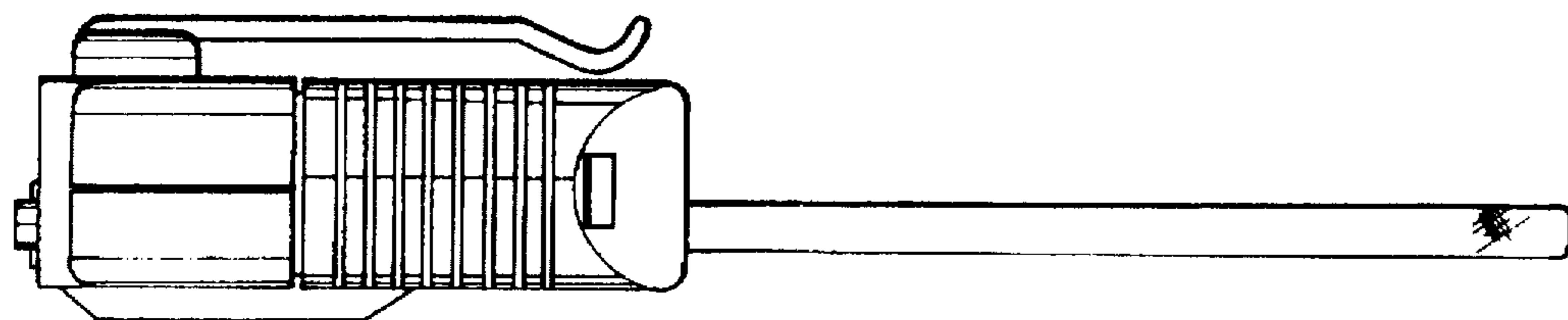


FIG. 5

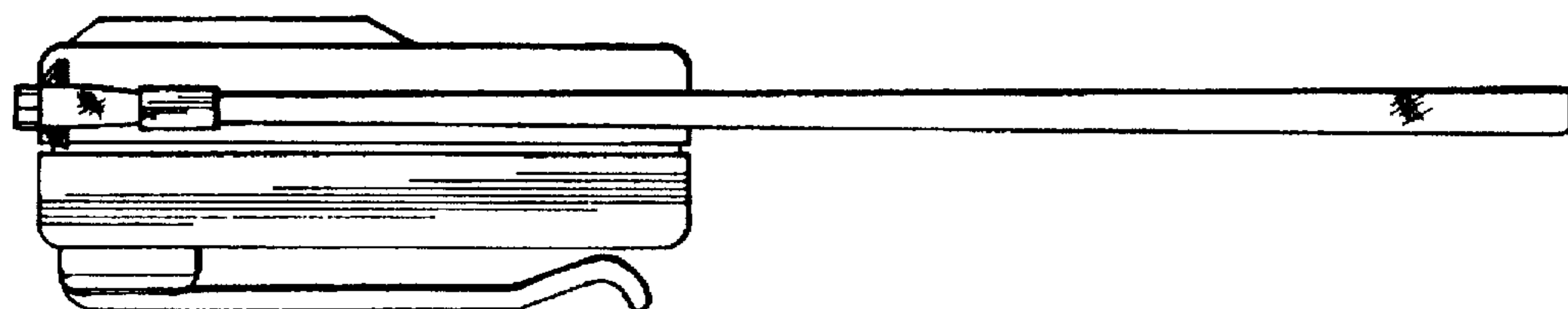


FIG. 4

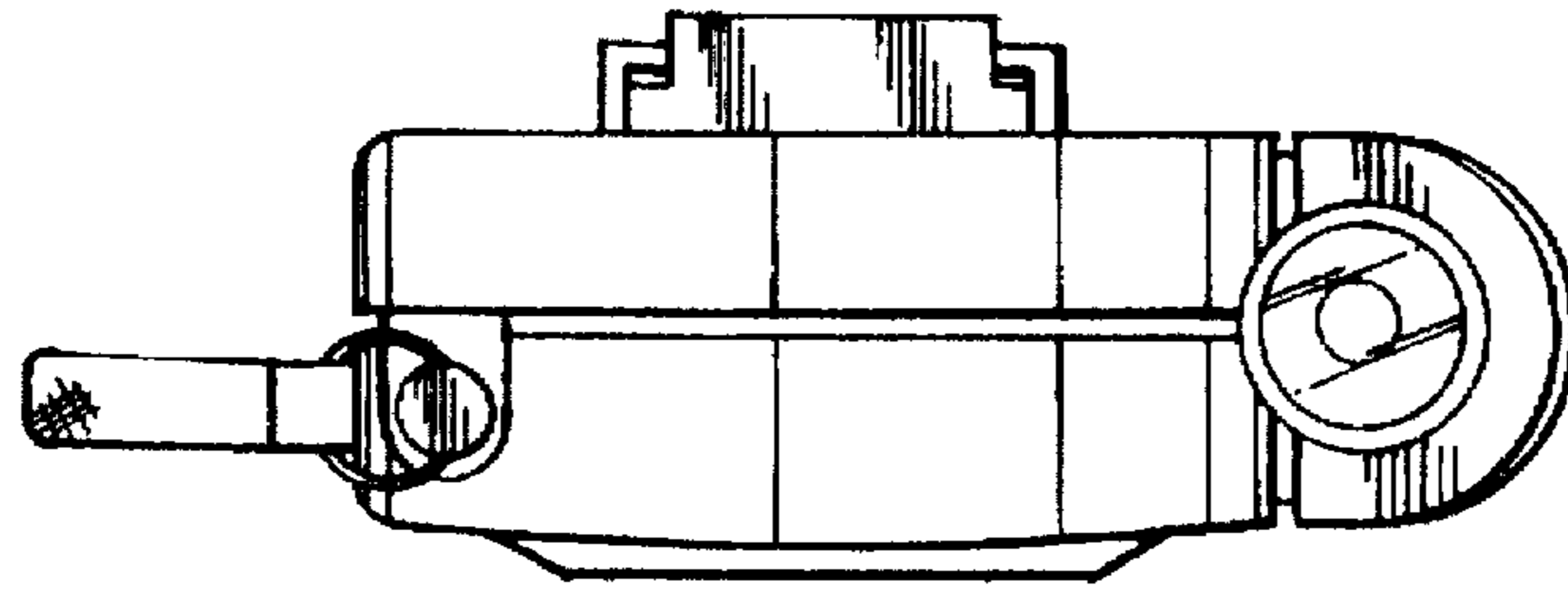


FIG. 6

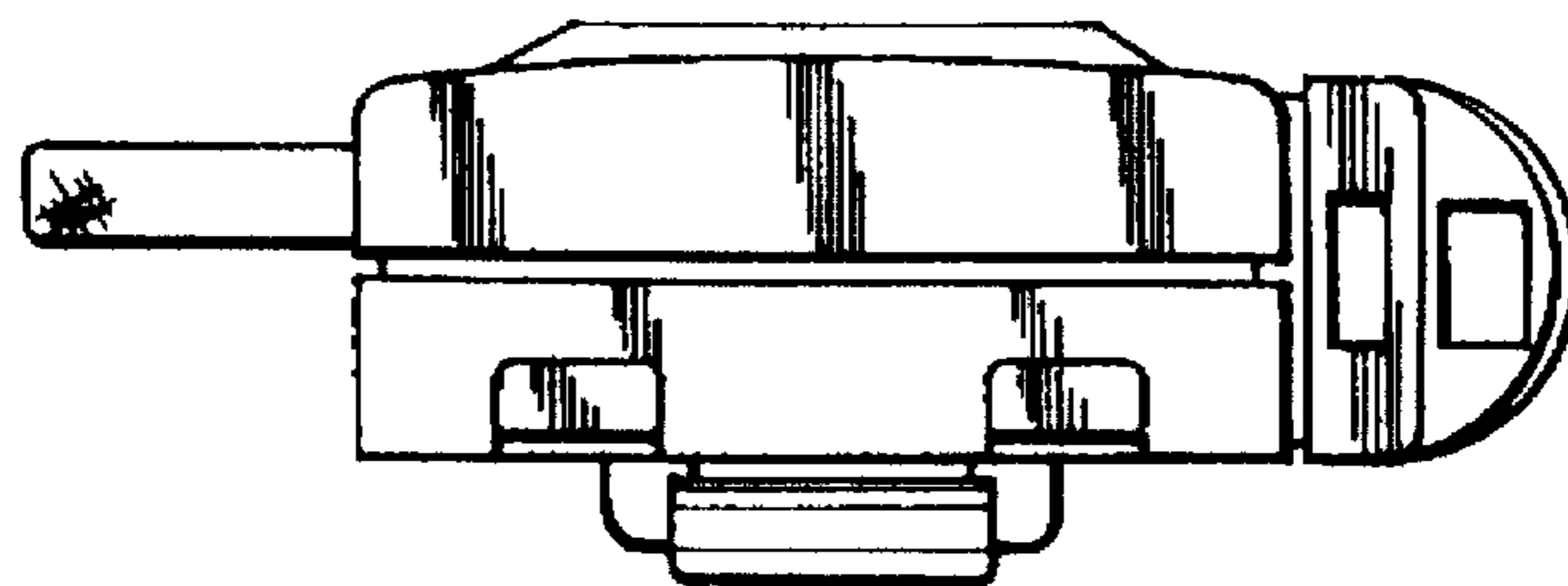


FIG. 7