



US00D386702S

United States Patent [19]

Nagai et al.

[11] Patent Number: Des. 386,702

[45] Date of Patent: **Nov. 25, 1997

[54] **FRAME FOR PRESSURIZED FLUID-OPERATING DEVICES**

[75] Inventors: **Shigekazu Nagai; Koji Sugano**, both of Ibaraki-ken, Japan

[73] Assignee: **SMC Kabushiki Kaisha**, Tokyo, Japan

[**] Term: **14 Years**

[21] Appl. No.: **37,755**

[22] Filed: **Apr. 18, 1995**

[30] **Foreign Application Priority Data**

Oct. 19, 1994 [JP] Japan 6-31726

[51] LOC (6) Cl. **10-04**

[52] U.S. Cl. **D10/94; D10/85; D25/124**

[58] Field of Search **D10/85, 94; D23/233, D23/235, 249; D25/119, 120, 60, 61; 52/2.11, 2.16, 2.18; 137/861, 884, 560, 271; 417/124**

[56] **References Cited**

U.S. PATENT DOCUMENTS

- D. 370,423 6/1996 Nagai et al. D10/94
- D. 370,424 6/1996 Nagai et al. D10/94
- D. 373,738 9/1996 Nagai et al. D60/94

Primary Examiner—Antoine Duval Davis
Attorney, Agent, or Firm—Oblon, Spivak, McClelland, Maier & Neustadt, P.C.

[57] **CLAIM**

The ornamental design for a frame for pressurized fluid-operating devices, as shown.

DESCRIPTION

FIG. 1 is a top plan view of a frame for pressurized fluid-operating devices, showing our new design;

FIG. 2 is a front view thereof;

FIG. 3 is a right side view thereof; and,

FIG. 4 is a perspective view thereof.

1 Claim, 3 Drawing Sheets

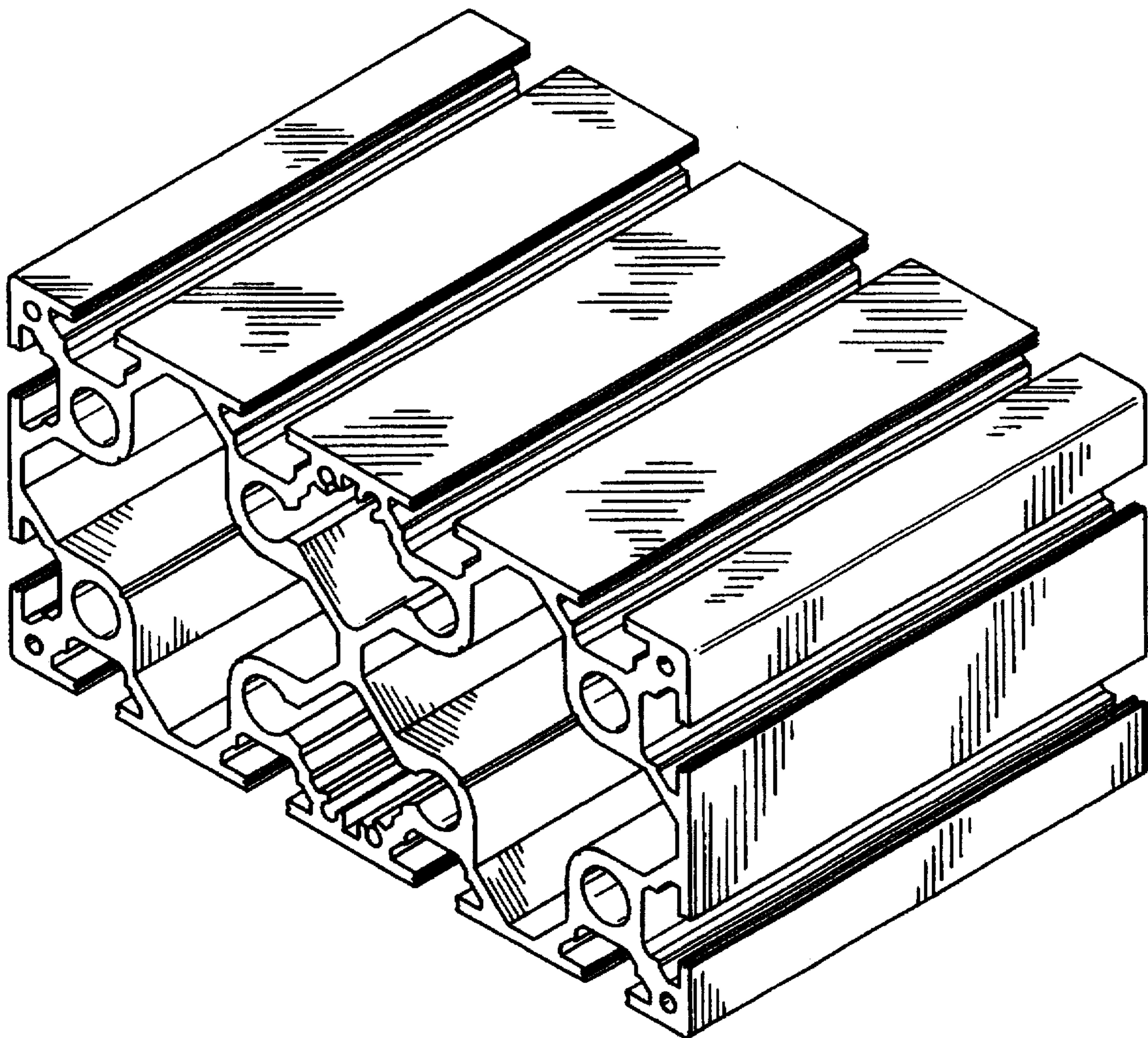


FIG.1

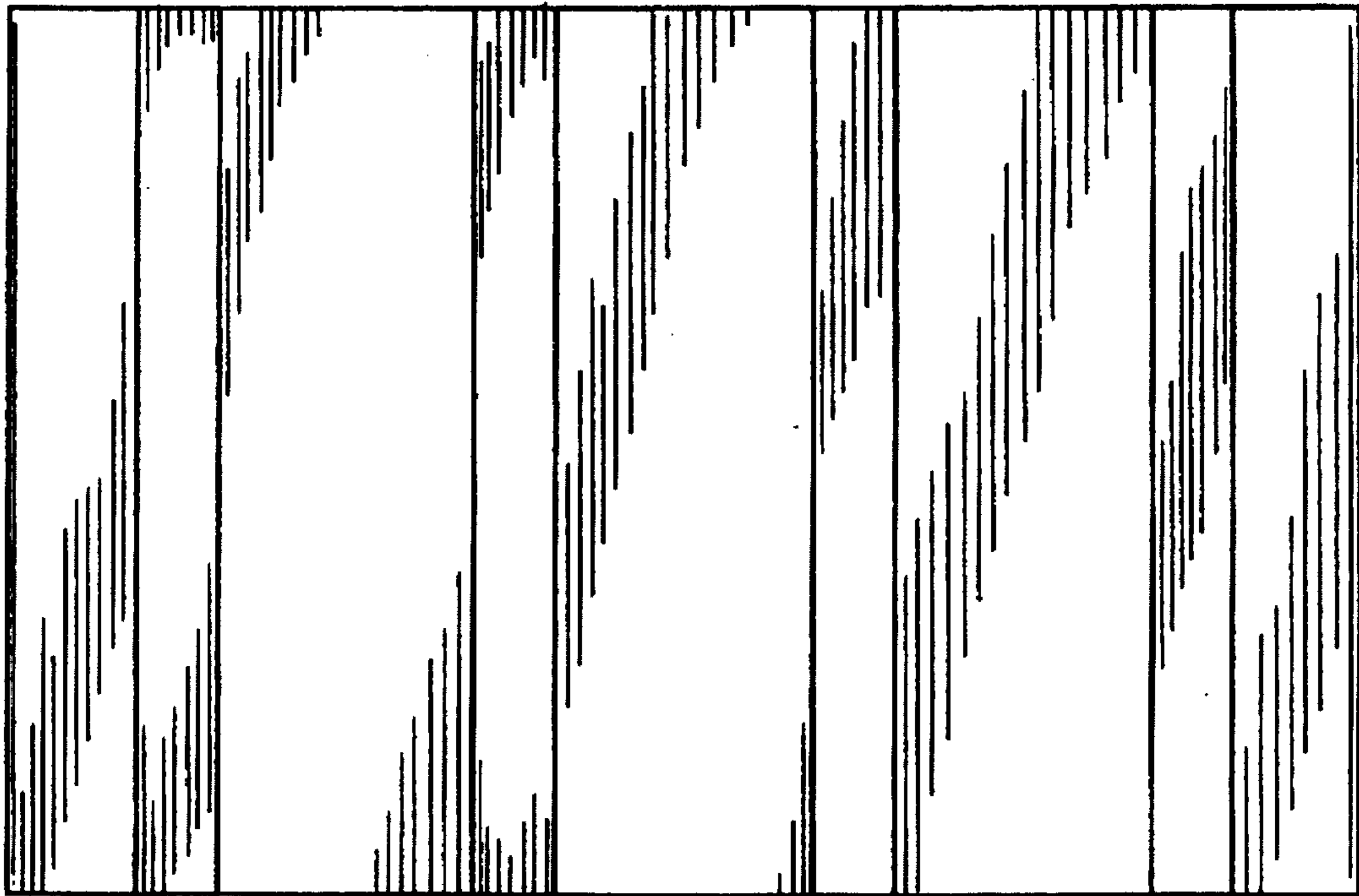


FIG. 2

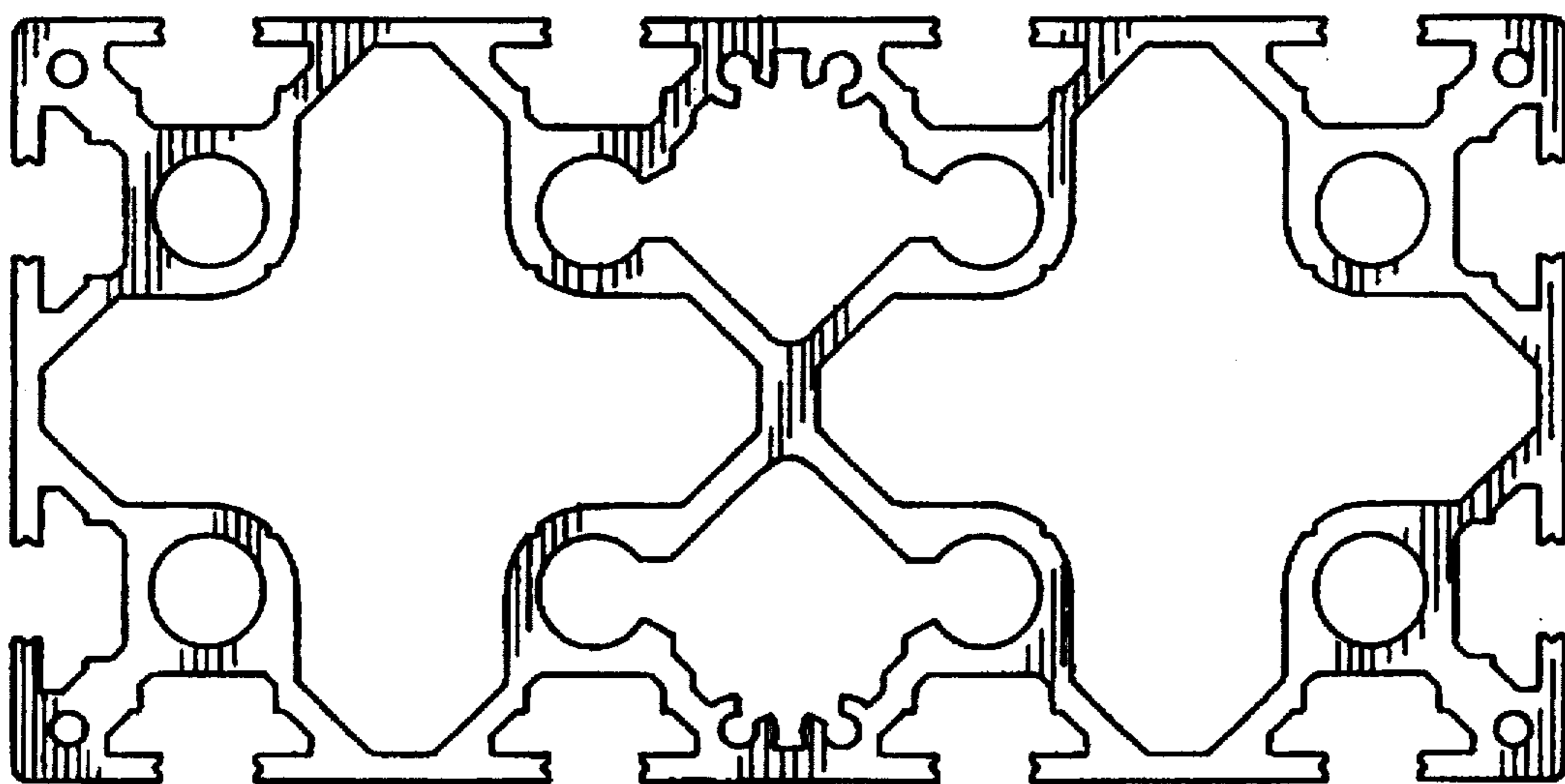


FIG. 3

