



US00D386700S

United States Patent [19] Wright

[11] Patent Number: **Des. 386,700**
[45] Date of Patent: ****Nov. 25, 1997**

[54] **GAS SENSOR**
[75] Inventor: **Daniel Casey Wright, Schaumburg, Ill.**
[73] Assignee: **J & N Enterprises, Inc., Valparaiso, Ind.**
[**] Term: **14 Years**

3,460,125 8/1969 Liebermann et al. 340/242
3,786,675 1/1974 Delatorre et al. 73/27 R
4,369,647 1/1983 Shigemori et al. 73/27 R
4,665,385 5/1987 Henderson 340/539
5,214,412 5/1993 Gavlak et al. 340/632

Primary Examiner—Antoine Duval Davis
Attorney, Agent, or Firm—Marshall, O'Toole, Gerstein,
Murray & Borun

[21] Appl. No.: **57,493**
[22] Filed: **Jul. 26, 1996**
[51] LOC (6) Cl. **10-04**
[52] U.S. Cl. **D10/78; D10/96; D10/81**
[58] Field of Search D10/46, 78, 81,
D10/96; 73/23.21, 31.06, 40.5 R, 40.7,
25.03, 431; 324/455; 340/599-603, 628,
632, 633, 634; 422/84

[57] CLAIM

The ornamental design for a gas sensor, as shown and described.

DESCRIPTION

FIG. 1 is a perspective view of an upper side of a gas sensor in accordance with the invention;
FIG. 2 is a perspective view of a lower side of the gas sensor of FIG. 1;
FIG. 3 is a front view of the gas sensor;
FIG. 4 is a right side view of the gas sensor;
FIG. 5 is a rear view of the gas sensor;
FIG. 6 is a left side view of the gas sensor;
FIG. 7 is a top view of the gas sensor; and,
FIG. 8 is a bottom view of the gas sensor.

[56] References Cited

U.S. PATENT DOCUMENTS

D. 242,531 11/1976 Guimond D10/46
D. 242,602 12/1976 Melvin et al. D10/46
D. 298,110 10/1988 Kawano D10/46
D. 312,218 11/1990 Hill D10/78
D. 319,596 9/1991 Krolopp D10/81
3,311,455 3/1967 Robinson 23/255

1 Claim, 4 Drawing Sheets

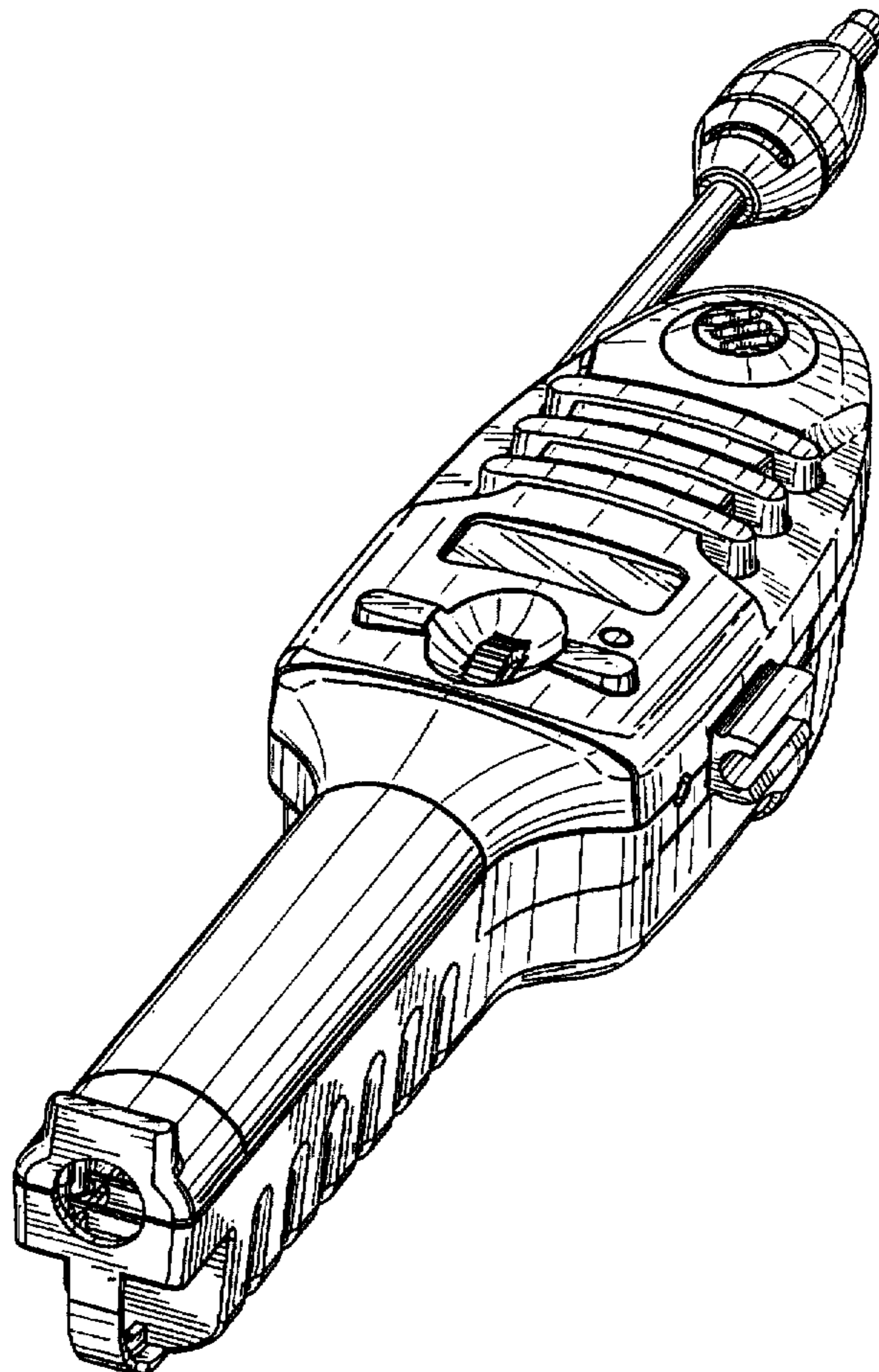


FIG. 1

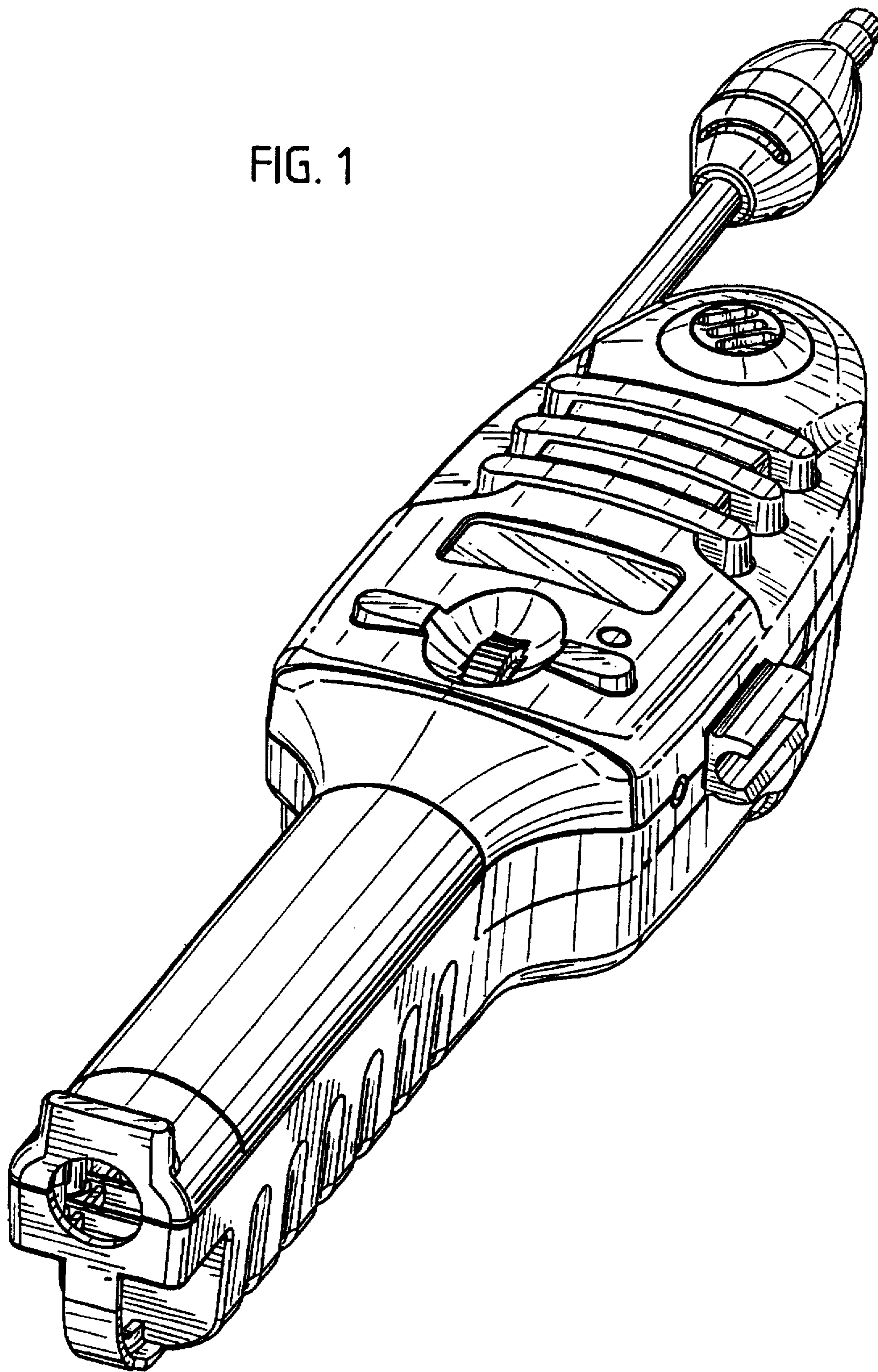


FIG. 2

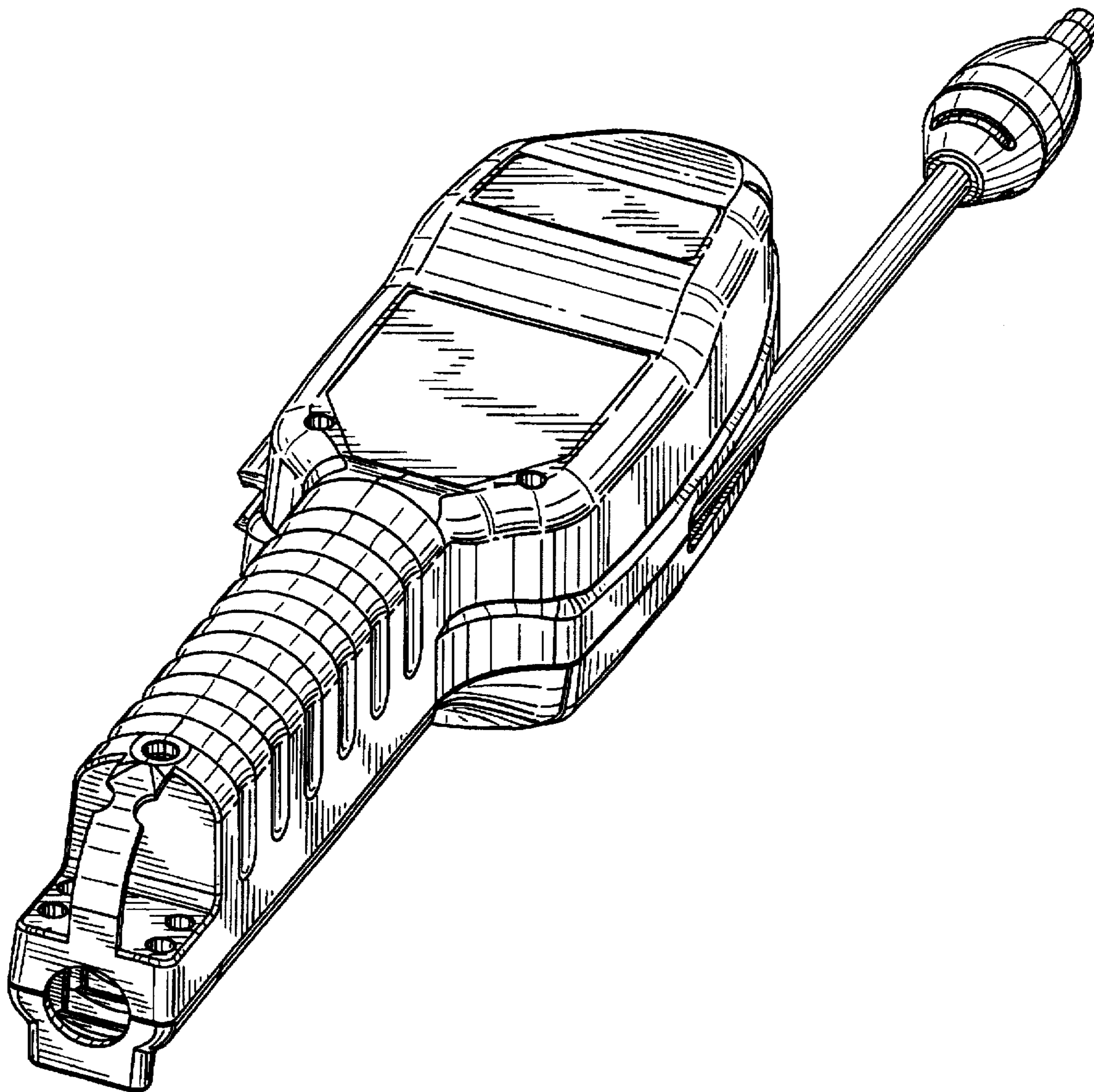


FIG. 3

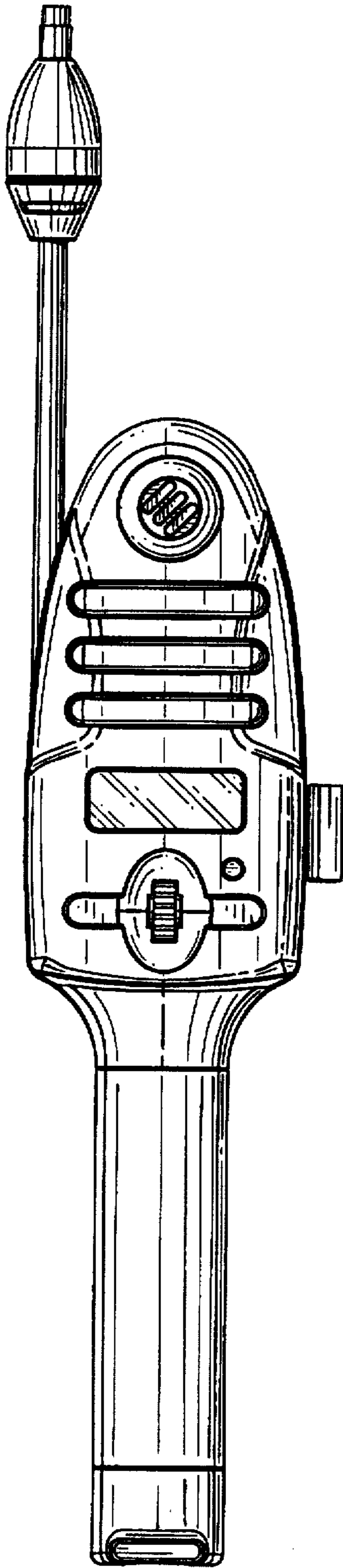


FIG. 4

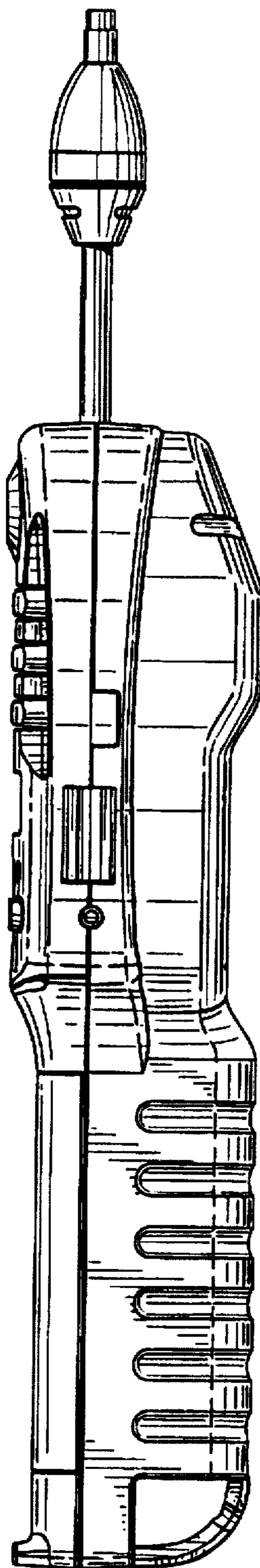


FIG. 5

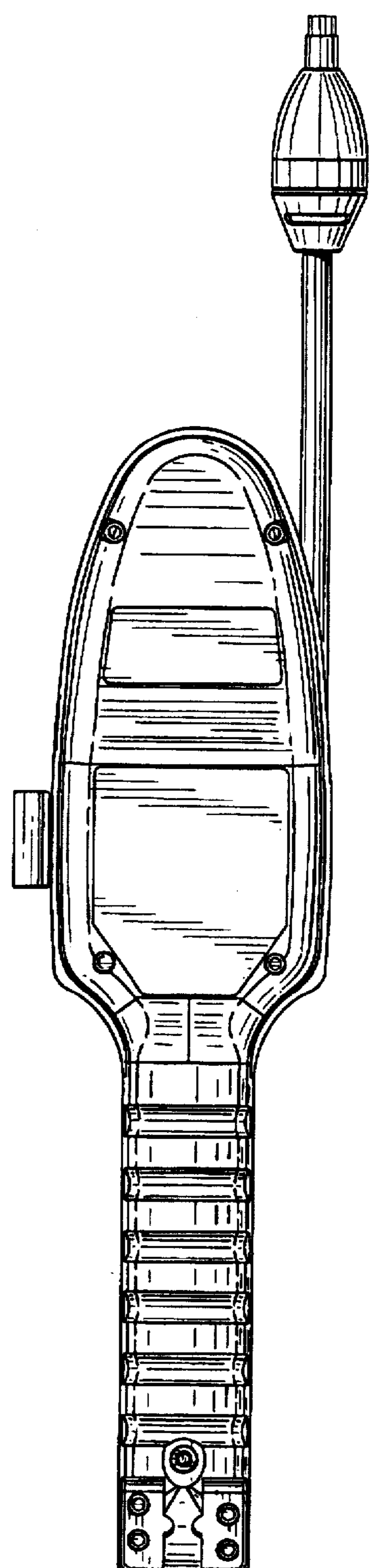


FIG. 6

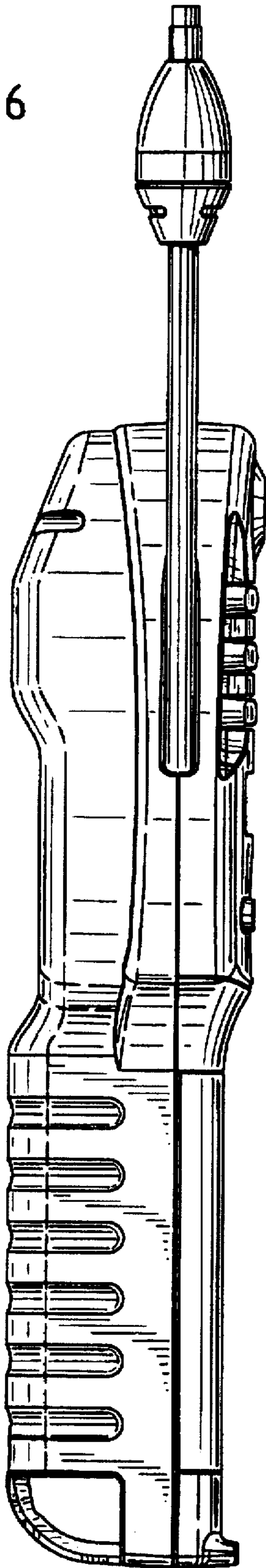


FIG. 7

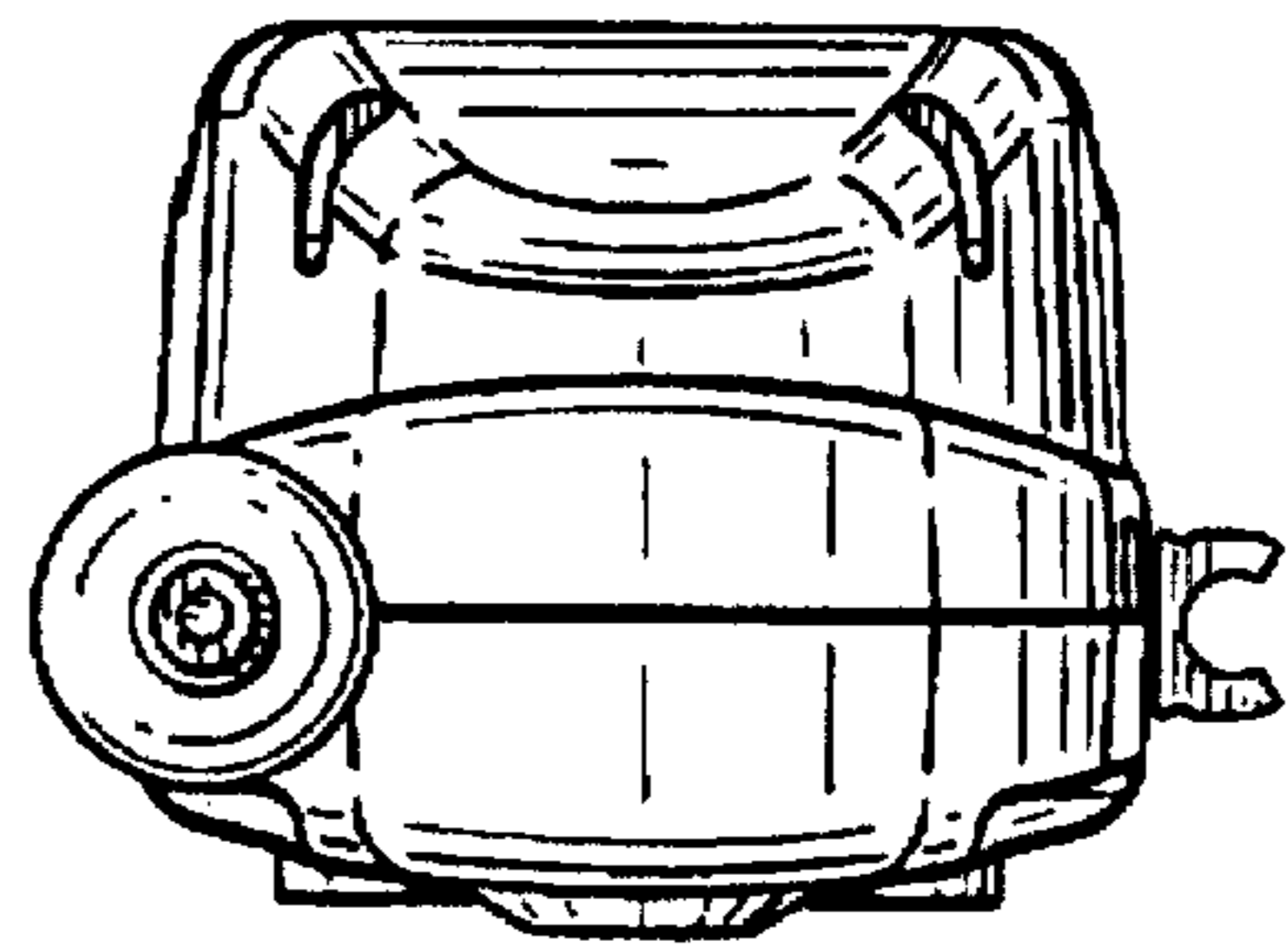


FIG. 8

