



US00D386686S

United States Patent [19]

[11] Patent Number: **Des. 386,686**

Alico et al.

[45] Date of Patent: ****Nov. 25, 1997**

[54] **PAPERBOARD BOX THAT CONVERTS INTO A COPYHOLDER**

5,301,800 4/1994 Kenney 206/45.25 X

[76] Inventors: **Robert J. Alico; Judith M. Alico**, both of 808 Spindletree Ave., Naperville, Ill. 60565-2878

FOREIGN PATENT DOCUMENTS

177095 8/1905 Germany 248/459

[**] Term: **14 Years**

Primary Examiner—Sandra L. Morris
Assistant Examiner—Nanda Bondade

[21] Appl. No.: **56,804**

[57] CLAIM

[22] Filed: **Jul. 9, 1996**

The ornamental design for a paperboard box that converts into a copyholder, as shown and described.

[51] LOC (6) Cl. **09-07**

DESCRIPTION

[52] U.S. Cl. **D9/433; D9/432; D19/88; D19/91**

FIG. 1 is a plan view of a blank for paperboard box that converts into a copyholder showing our new design; FIG. 2 is a fully closed front perspective view thereof; FIG. 3 is a partially open front perspective view, thereof; FIG. 4 is a fully open perspective view thereof; FIG. 5 is a front perspective view thereof, showing the folding of the bottom panel; FIG. 6 is a front perspective view thereof, showing the folding and inserting details of the tab into the slot; and, FIG. 7 is a front perspective view thereof, showing the fully folded copyholder.

[58] **Field of Search** D9/346, 414, 415, D9/430-433; D19/35, 88, 91; 206/45.21, 45.25, 760; 229/103.2, 103.3, 150; 248/441.1, 459, 460

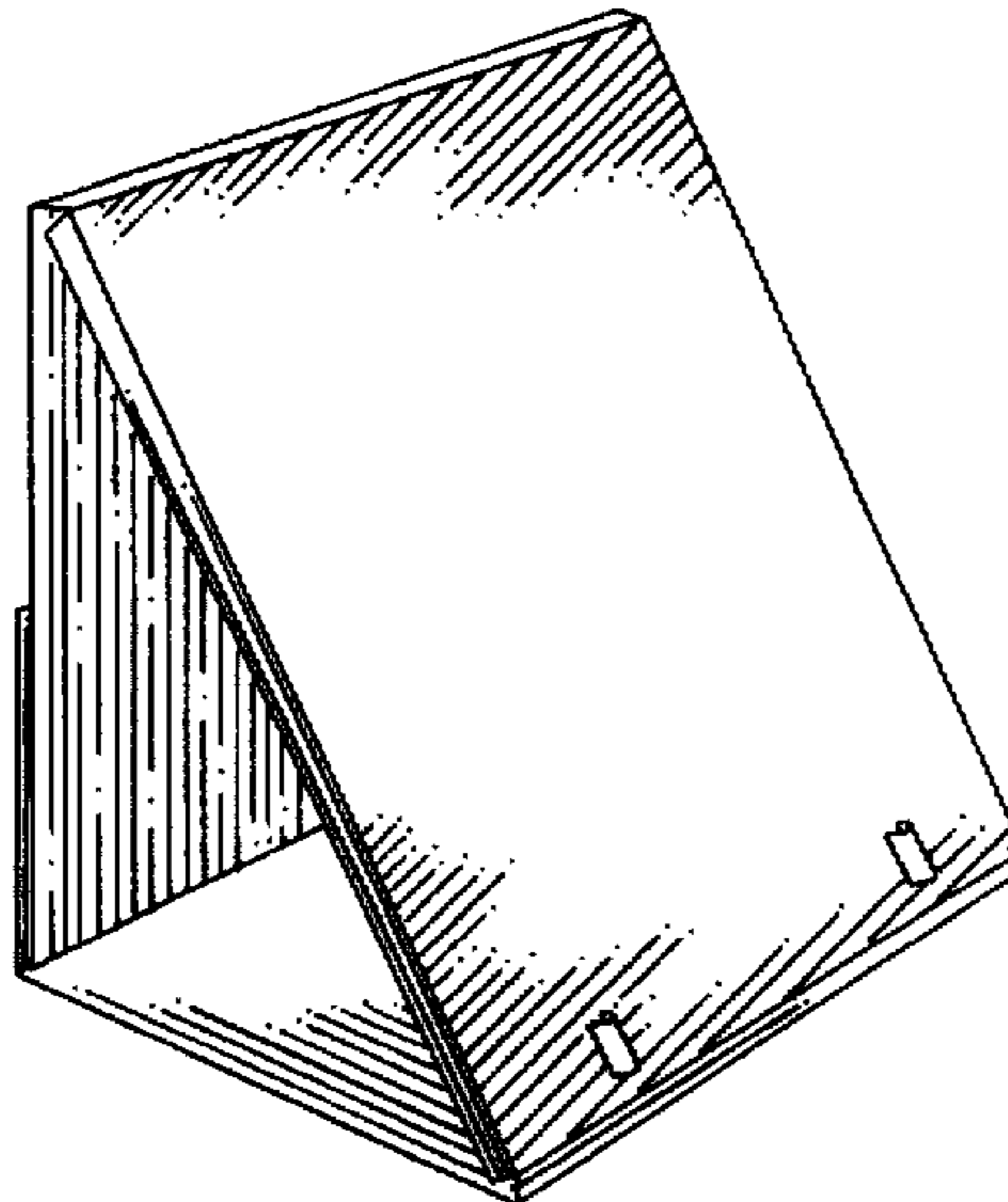
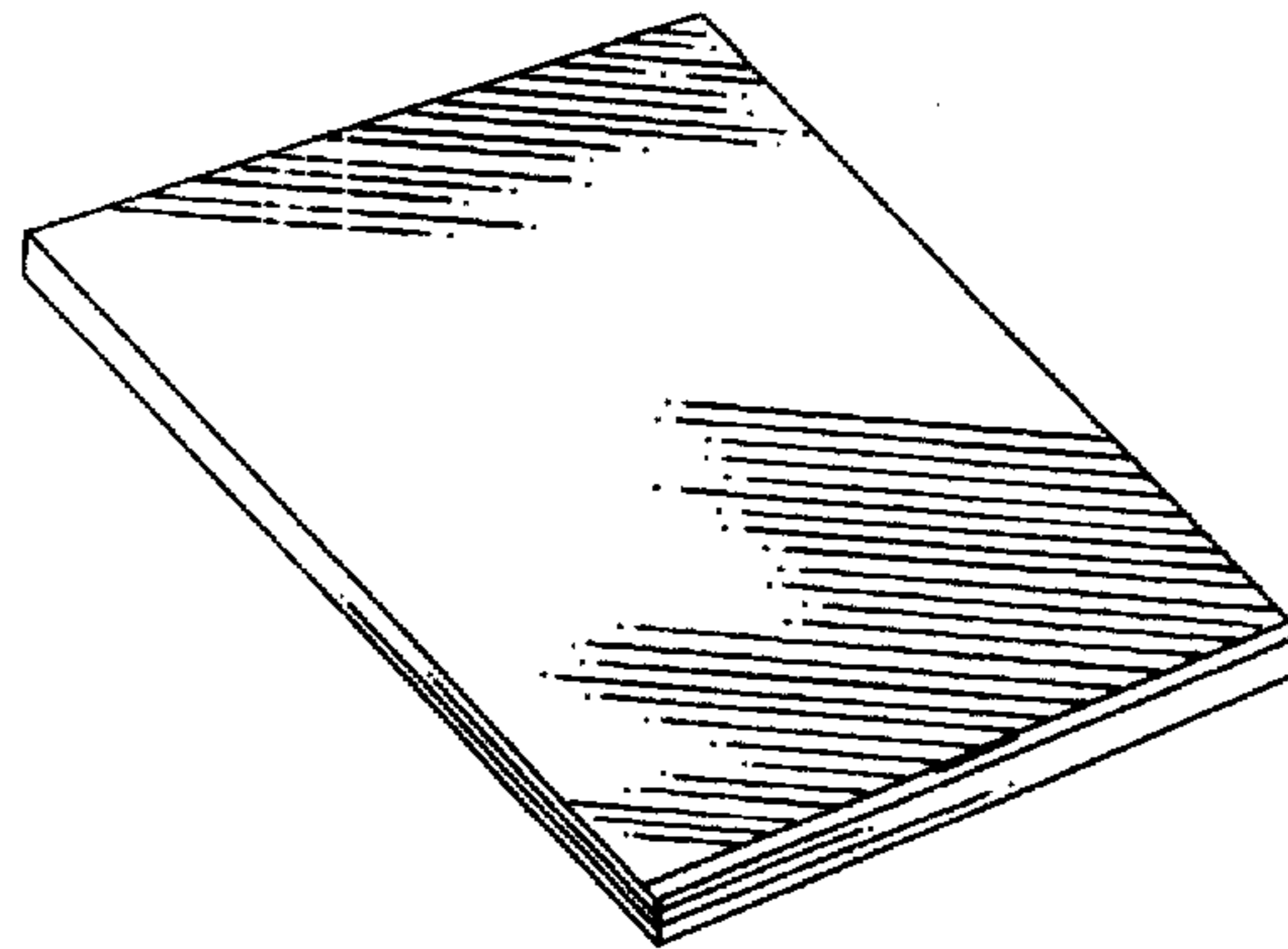
The broken lines shown on FIGS. 1, 4, 5 and 6 represent fold lines.

[56] References Cited

U.S. PATENT DOCUMENTS

964,556	7/1910	Rogers	229/103.2	X
3,656,613	4/1972	LaFrance et al.	206/45.21	
4,046,311	9/1977	Voytko	229/150	X
4,607,817	8/1986	Aquino	248/459	
4,651,871	3/1987	Joyce	206/760	

1 Claim, 3 Drawing Sheets



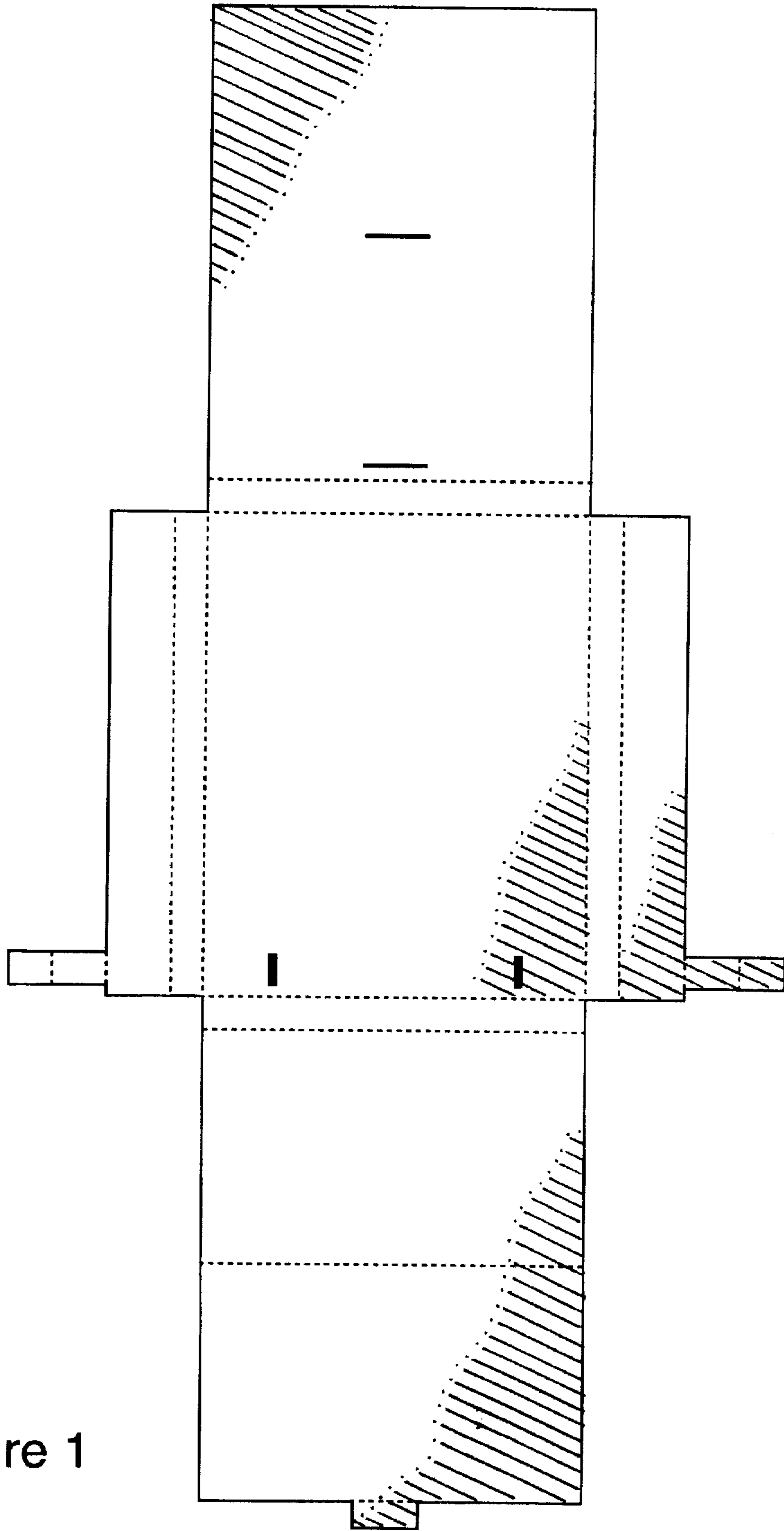


Figure 1

Figure 2

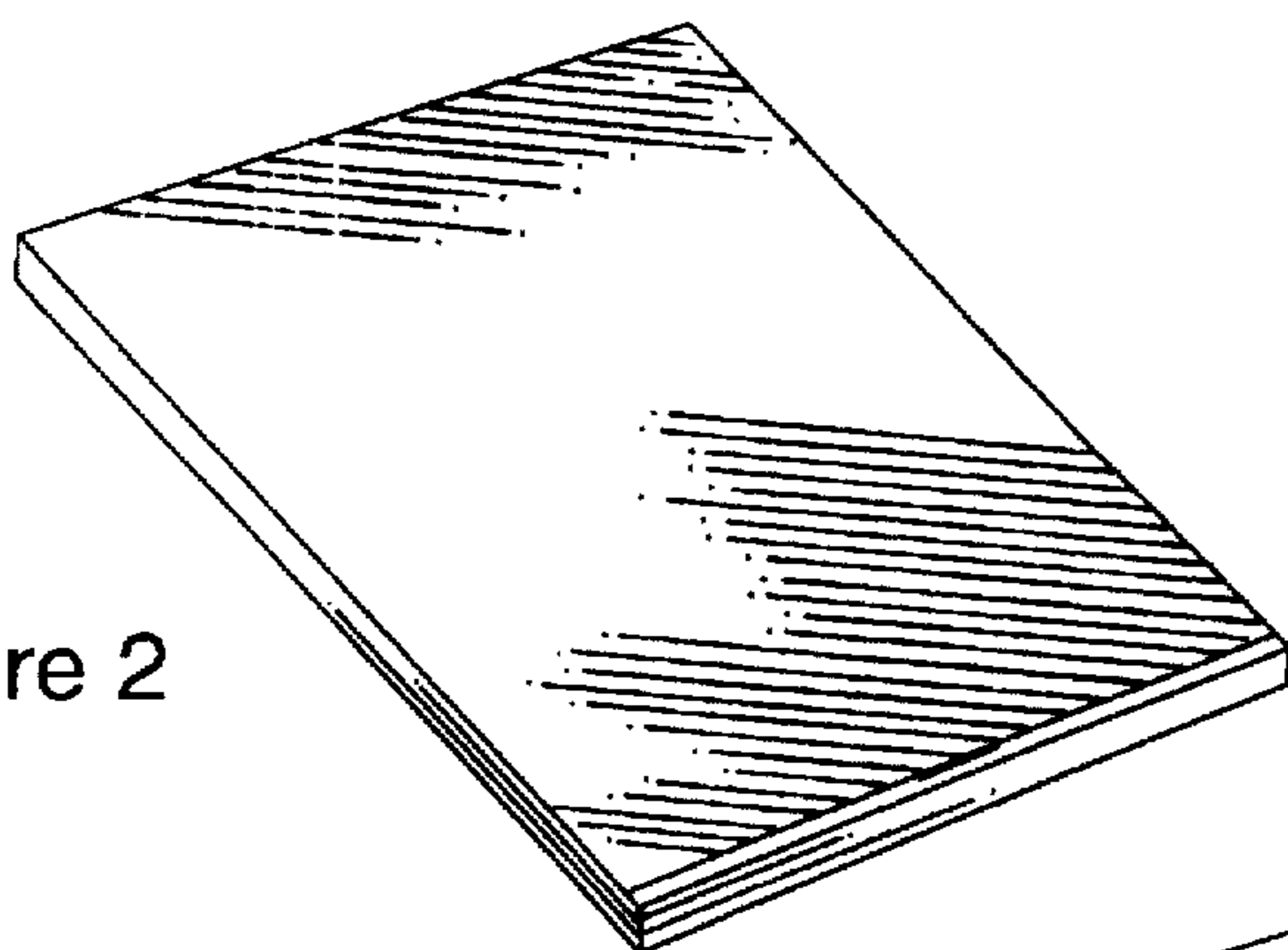


Figure 3

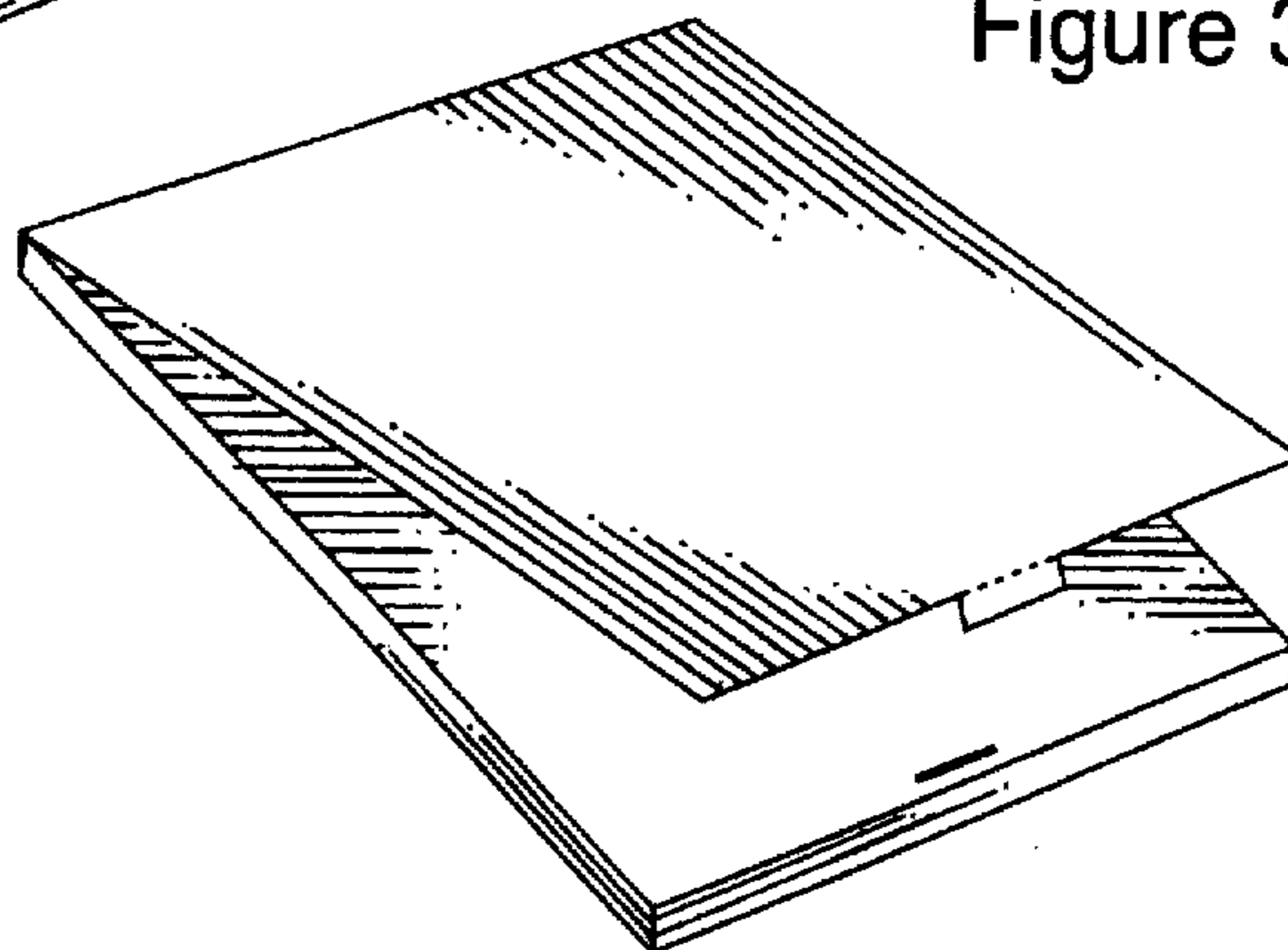
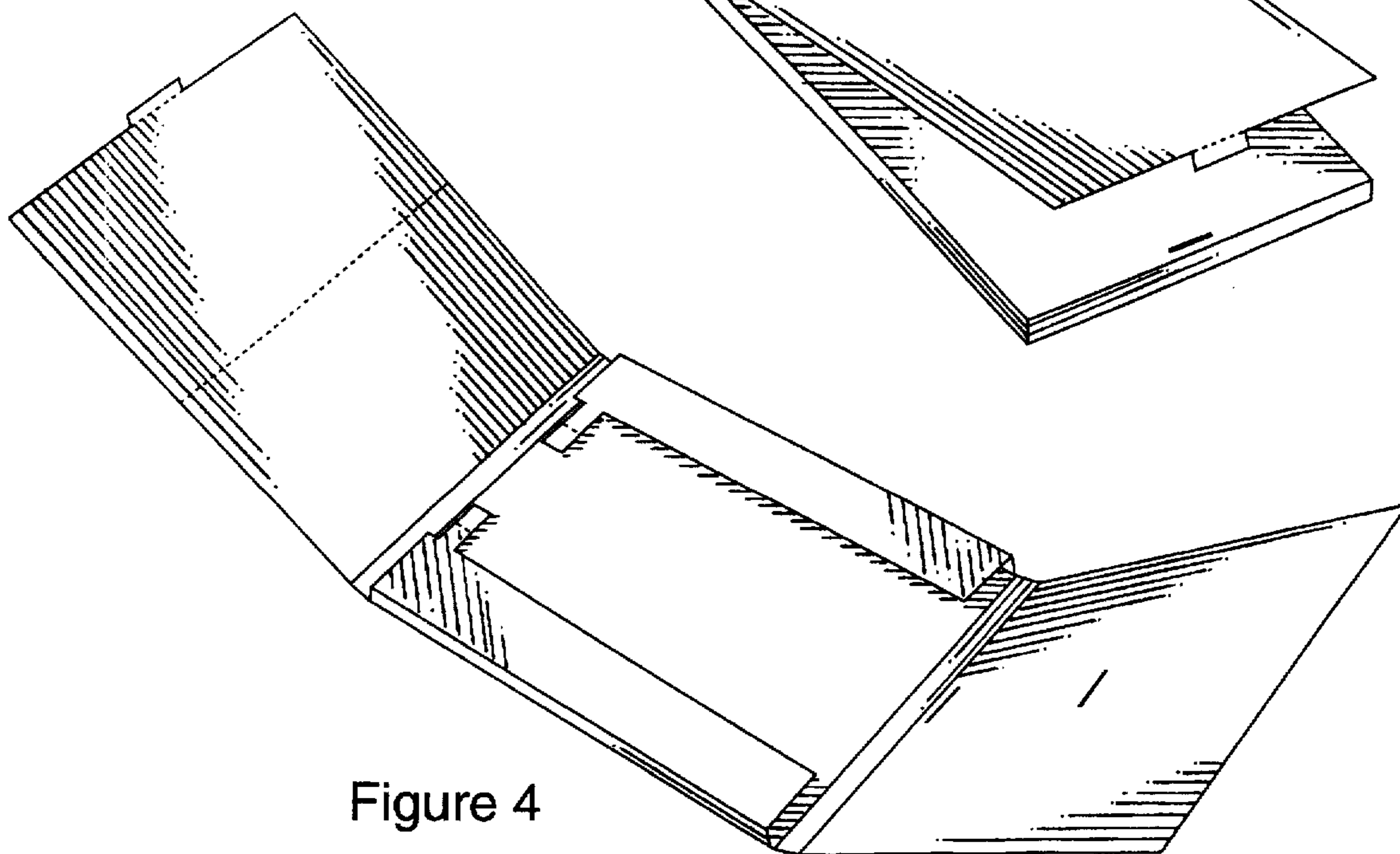


Figure 4



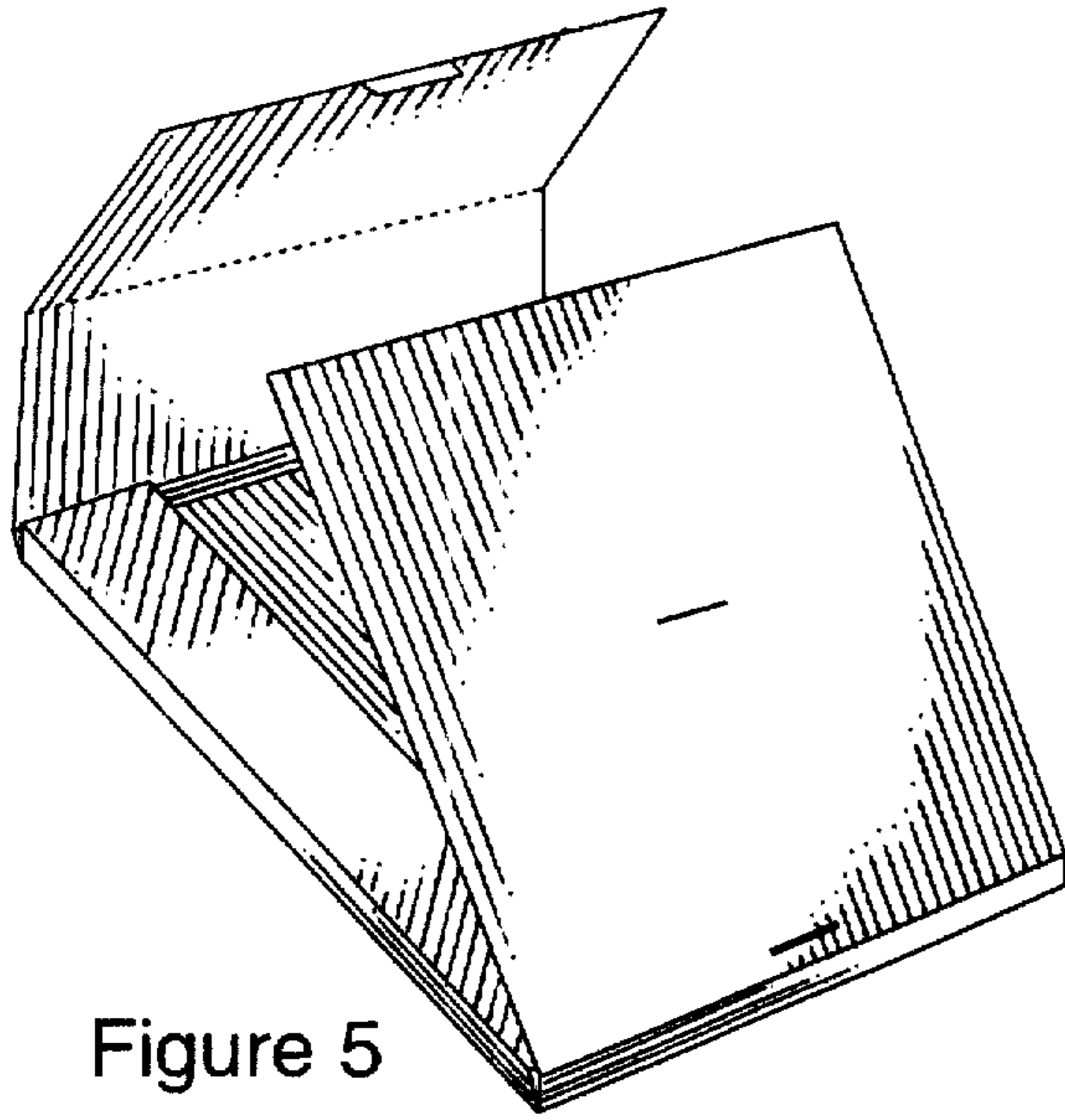


Figure 5

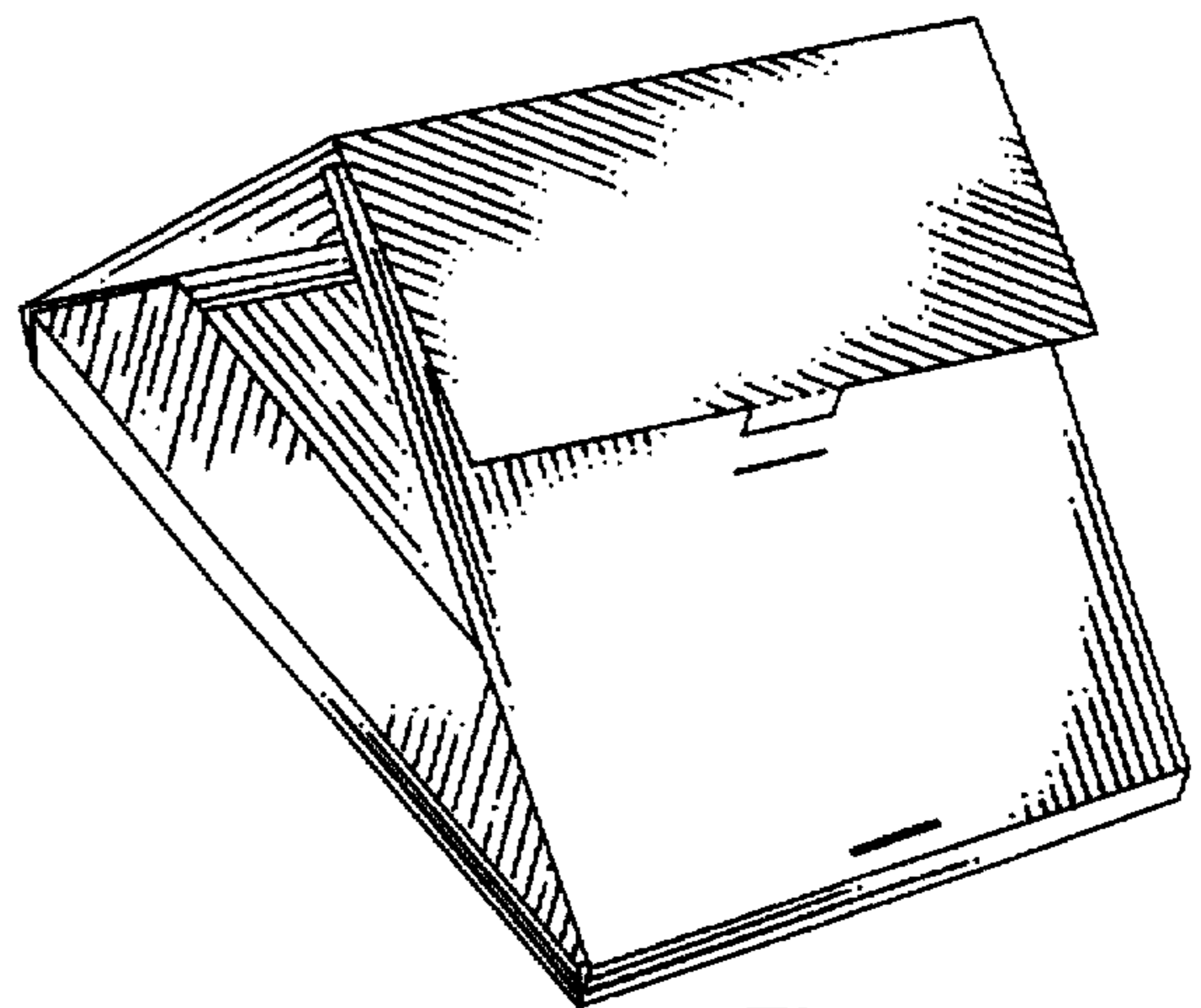


Figure 6

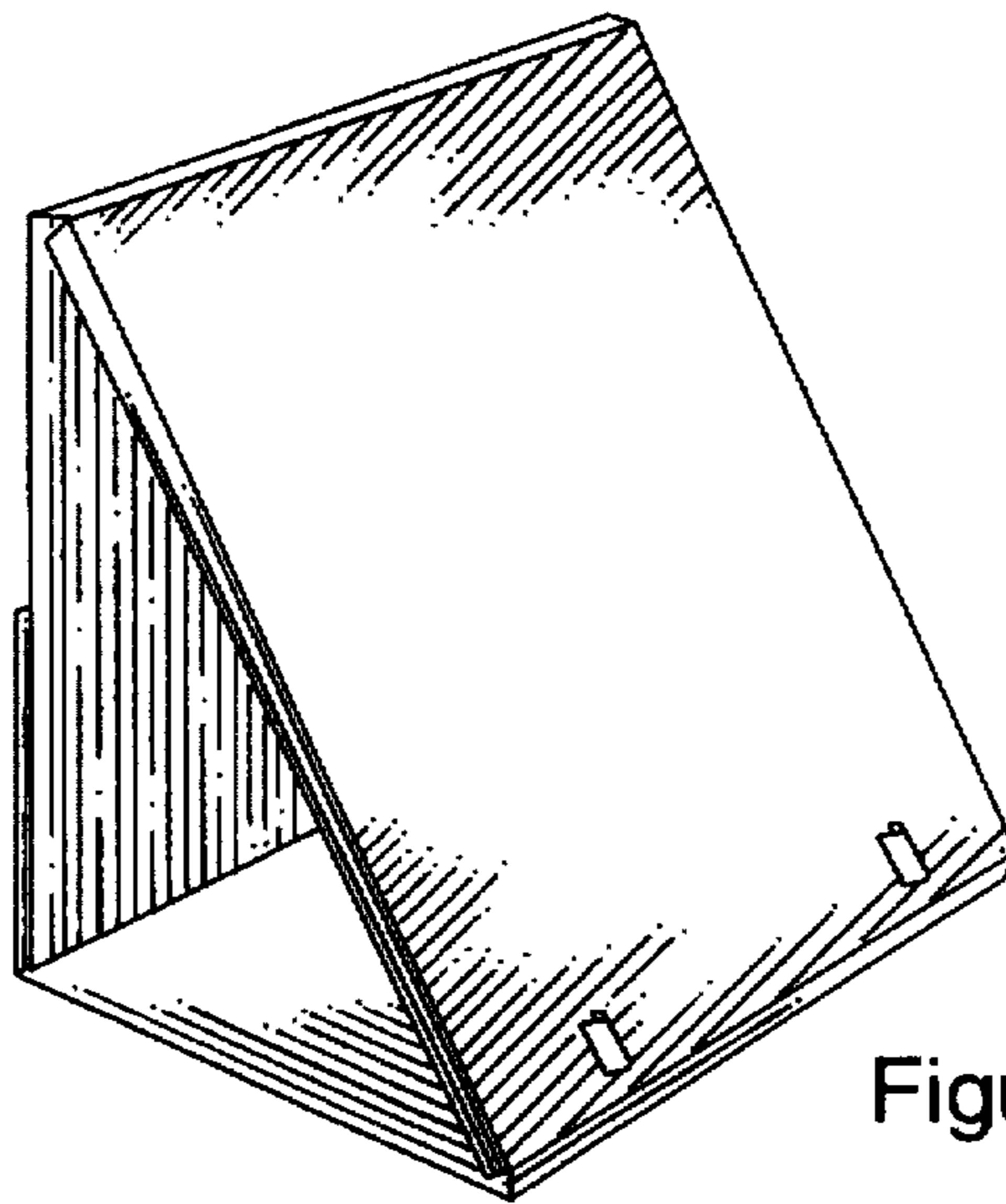


Figure 7