



US00D386684S

United States Patent [19] Marogil

[11] Patent Number: **Des. 386,684**
[45] Date of Patent: ****Nov. 25, 1997**

[54] **ANTISEPTIC SPRAY NOZZLE AND GUARD**

[76] Inventor: **Joseph B. Marogil**, 1720 Michigan
N.E., Grand Rapids, Mich. 49503

[**] Term: **14 Years**

[21] Appl. No.: **57,072**

[22] Filed: **Jul. 16, 1996**

[51] LOC (6) Cl. **09-07**

[52] U.S. Cl. **D9/448; D24/130**

[58] Field of Search **D9/447, 448; D23/227,
D23/229; D24/110-115, 129, 130; 128/200.14;
222/383.1, 394; 239/399; 604/301**

[56] **References Cited**

U.S. PATENT DOCUMENTS

- D. 344,133 2/1994 Stamler .
- D. 345,016 3/1994 Stamler .
- D. 351,905 10/1994 Lee, Jr. D24/130
- D. 353,537 12/1994 Starrett D9/448 X
- D. 356,361 3/1995 Feldt D23/227
- D. 373,955 9/1996 Boxer et al. D9/448
- 3,314,426 4/1967 Carroll .
- 3,648,696 3/1972 Keith .
- 4,623,336 11/1986 Pedicano D24/130 X
- 4,692,140 9/1987 Olson .

- 4,769,003 9/1988 Stamler .
- 4,898,588 2/1990 Roberts .
- 5,197,876 3/1993 Coston .
- 5,224,940 7/1993 Dann et al. .
- 5,496,290 3/1996 Ackerman .

Primary Examiner—B. J. Bullock
Assistant Examiner—Cathron B. Matta
Attorney, Agent, or Firm—Varnum, Riddering, Schmidt &
Howlett LLP

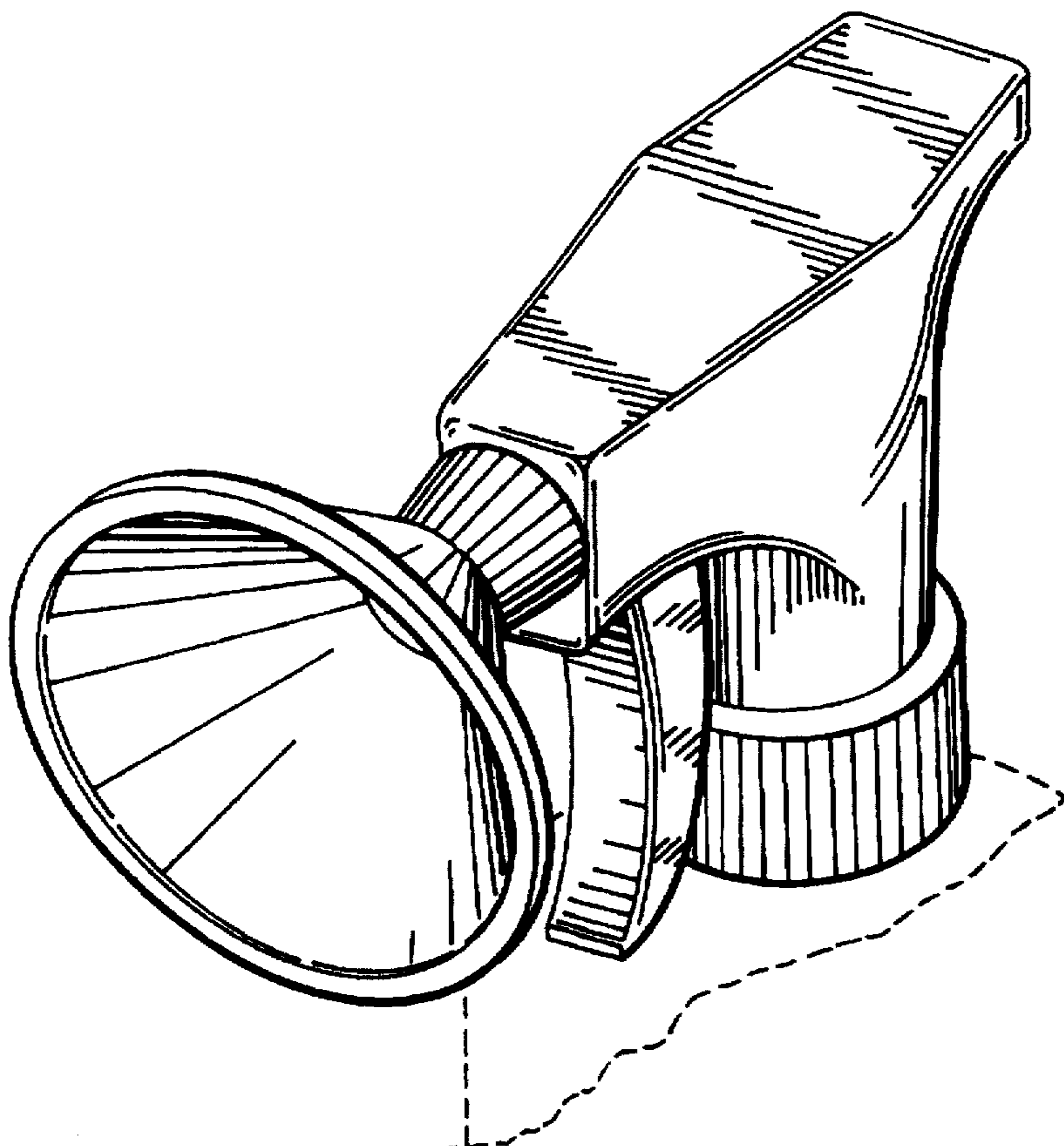
[57] **CLAIM**

The ornamental design for an antiseptic spray nozzle and guard, as shown and described.

DESCRIPTION

FIG. 1 is a perspective view of an antiseptic spray nozzle and guard which embodies my design;
FIG. 2 is a left side view thereof;
FIG. 3 is a right side view thereof;
FIG. 4 is a top view thereof;
FIG. 5 is a bottom view thereof; and,
FIG. 6 is a front elevational view thereof, the back side being a mirror image thereof.
The portion of the bottle shown in broken lines in FIGS. 1—6 is shown for illustrative purposes only and forms no part of the claimed design.

1 Claim, 3 Drawing Sheets



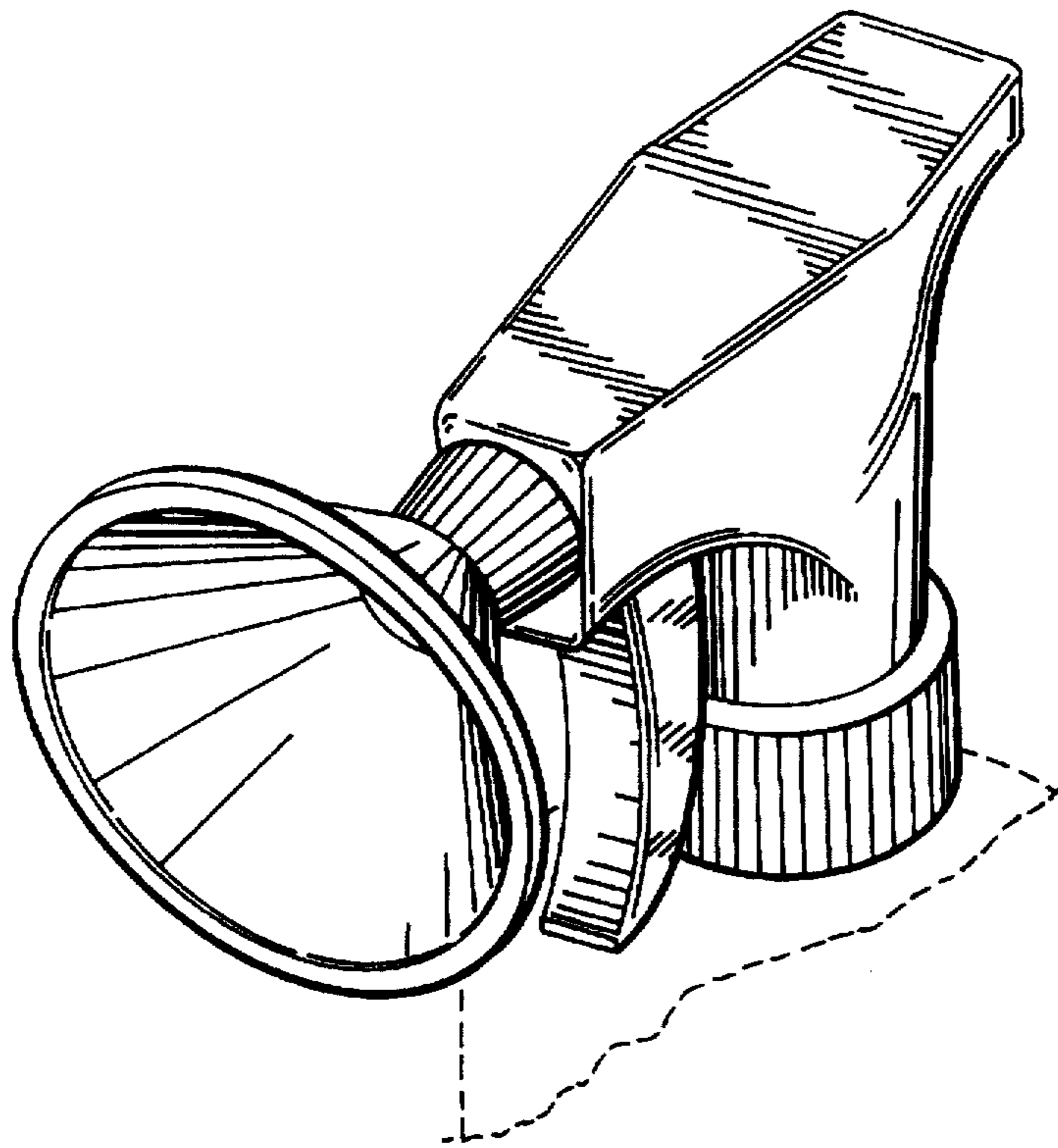


Fig. 1

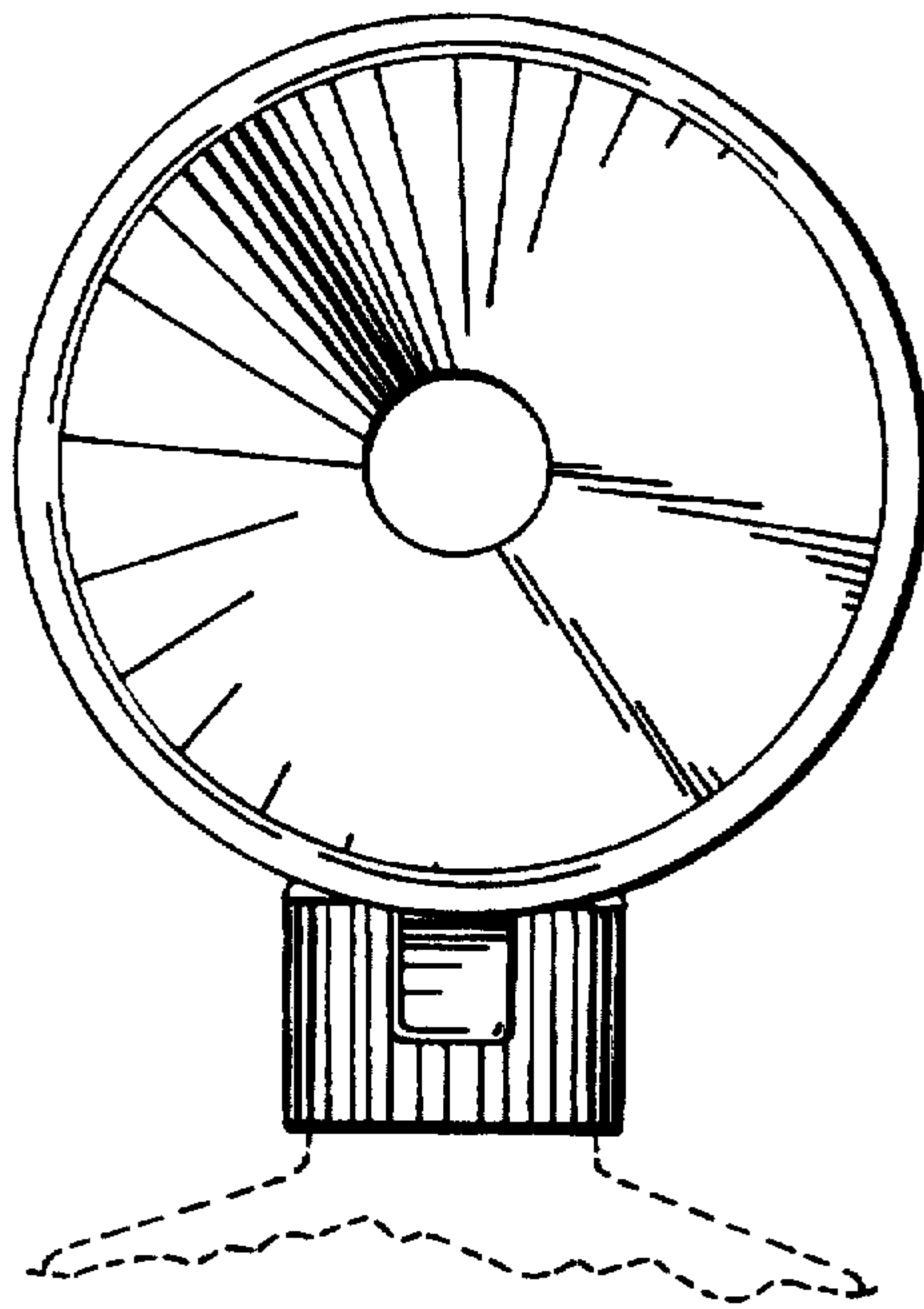


Fig. 2

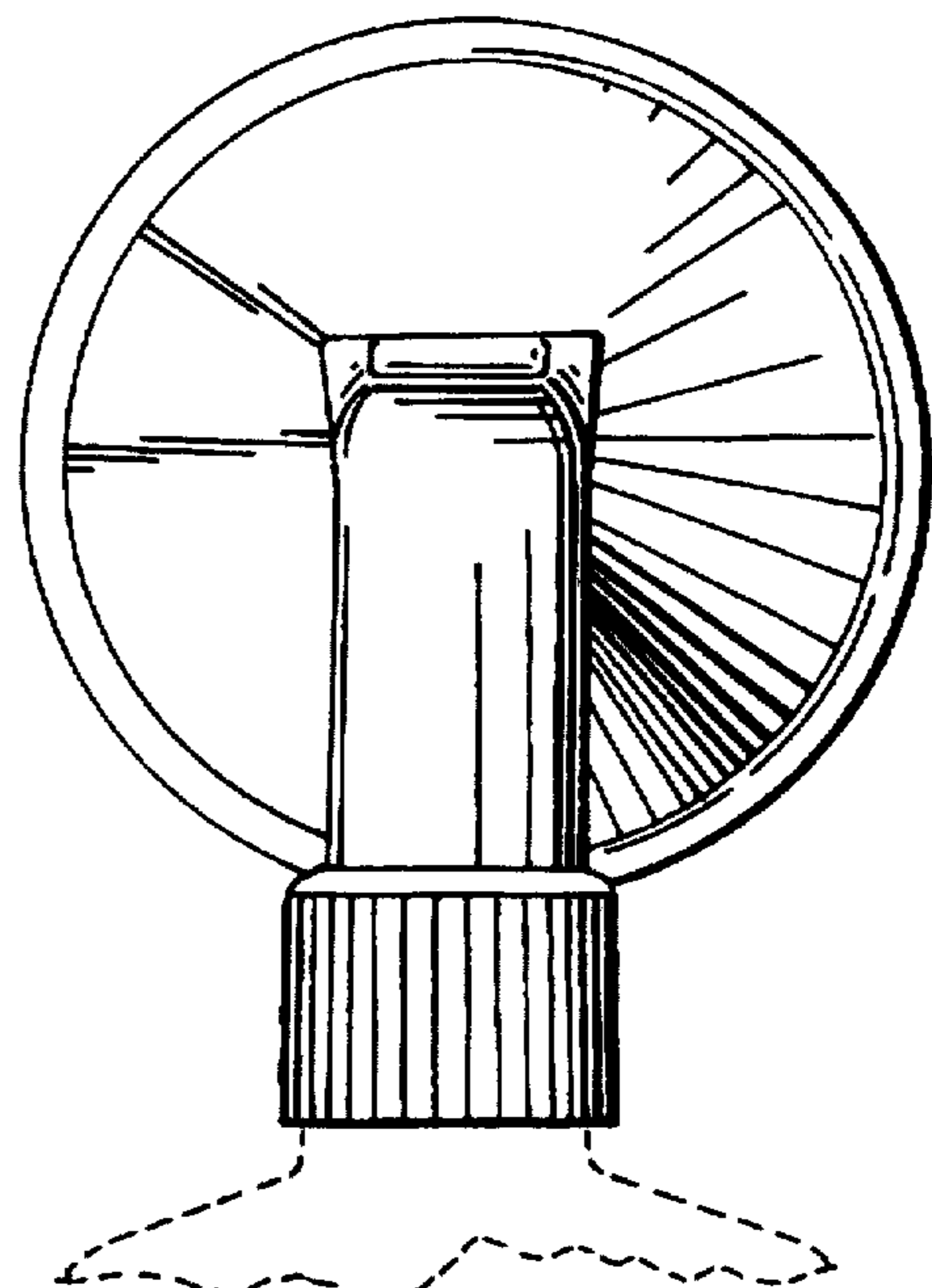


Fig. 3

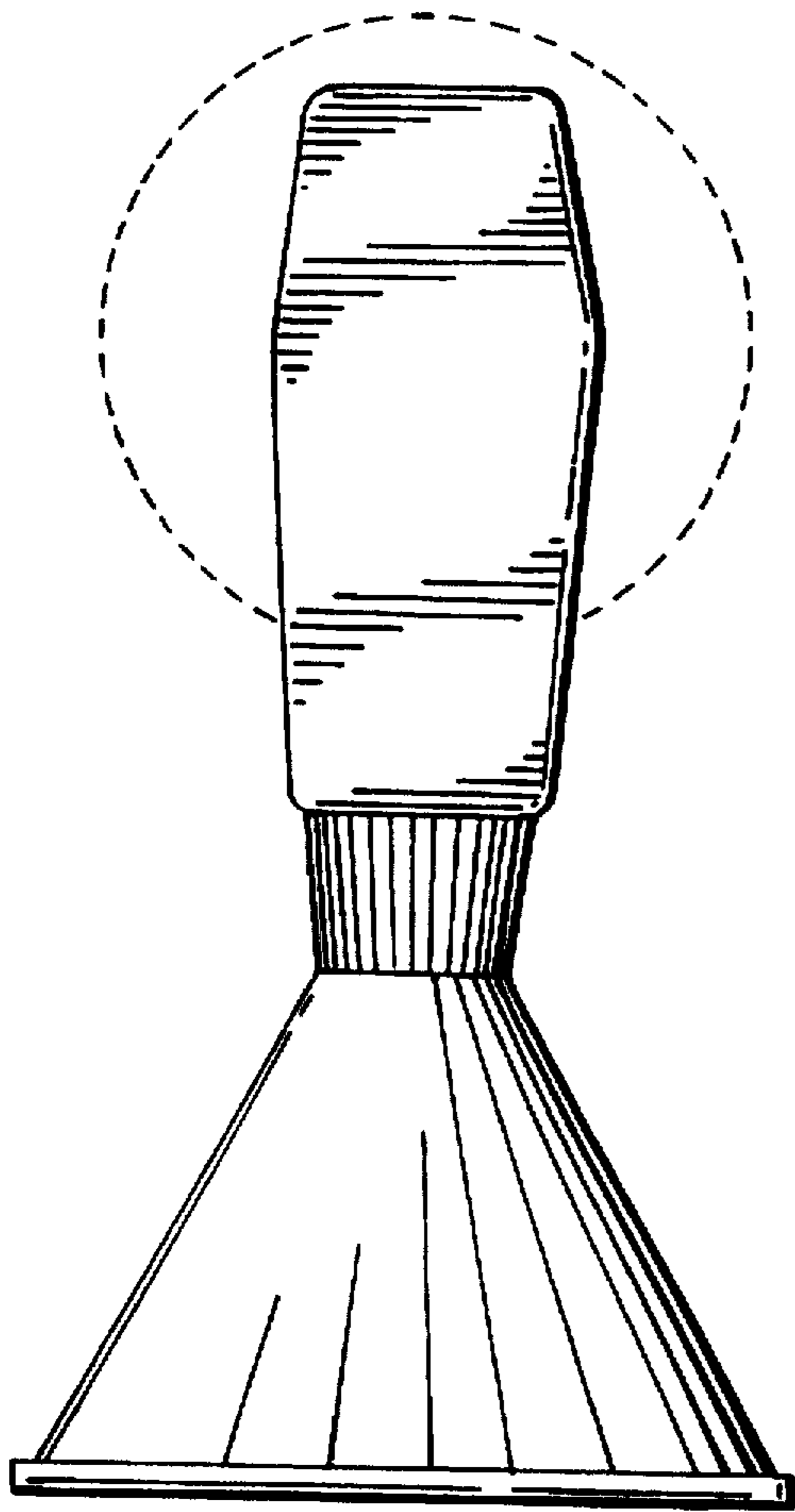


Fig. 4

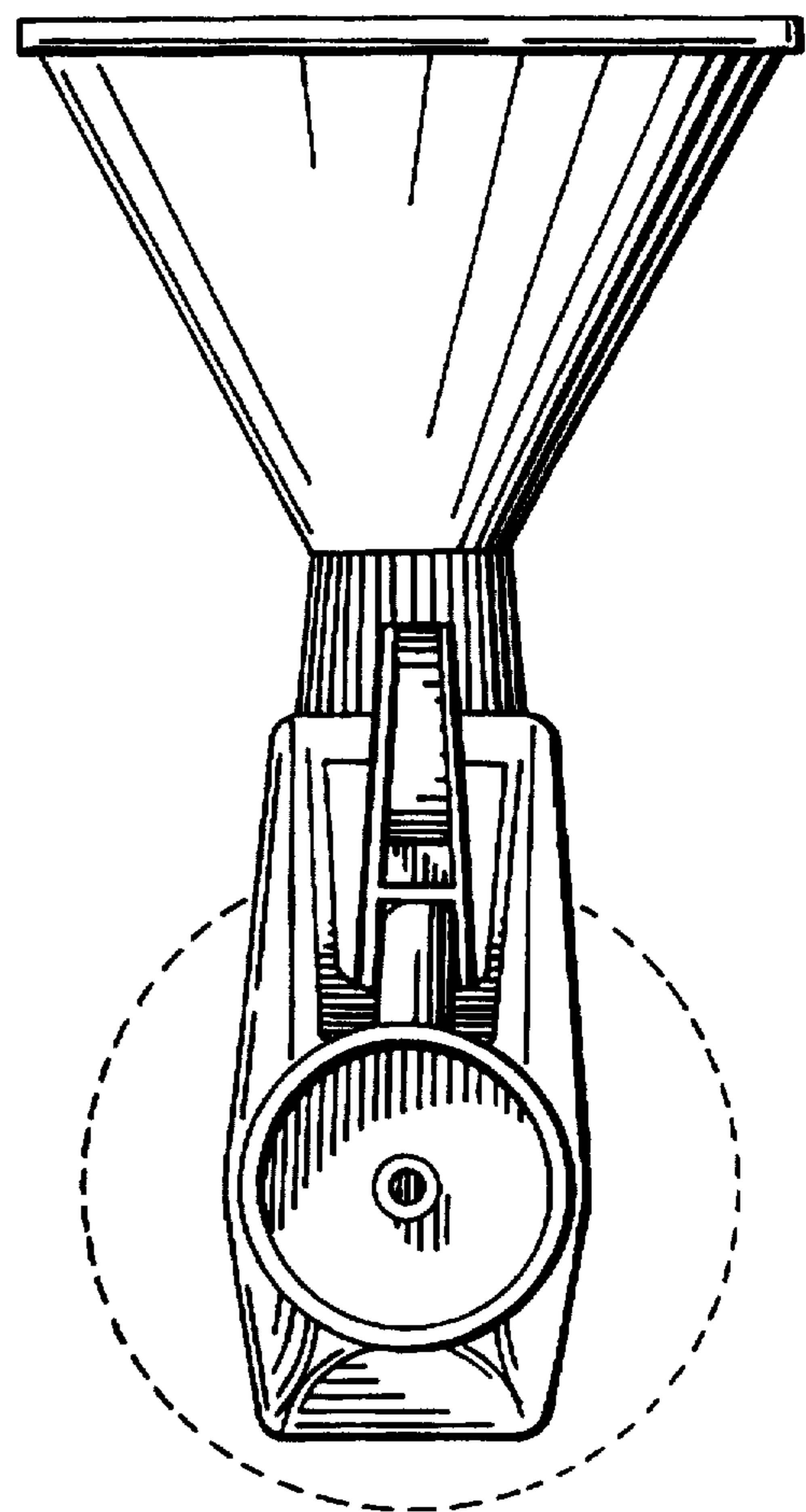


Fig. 5

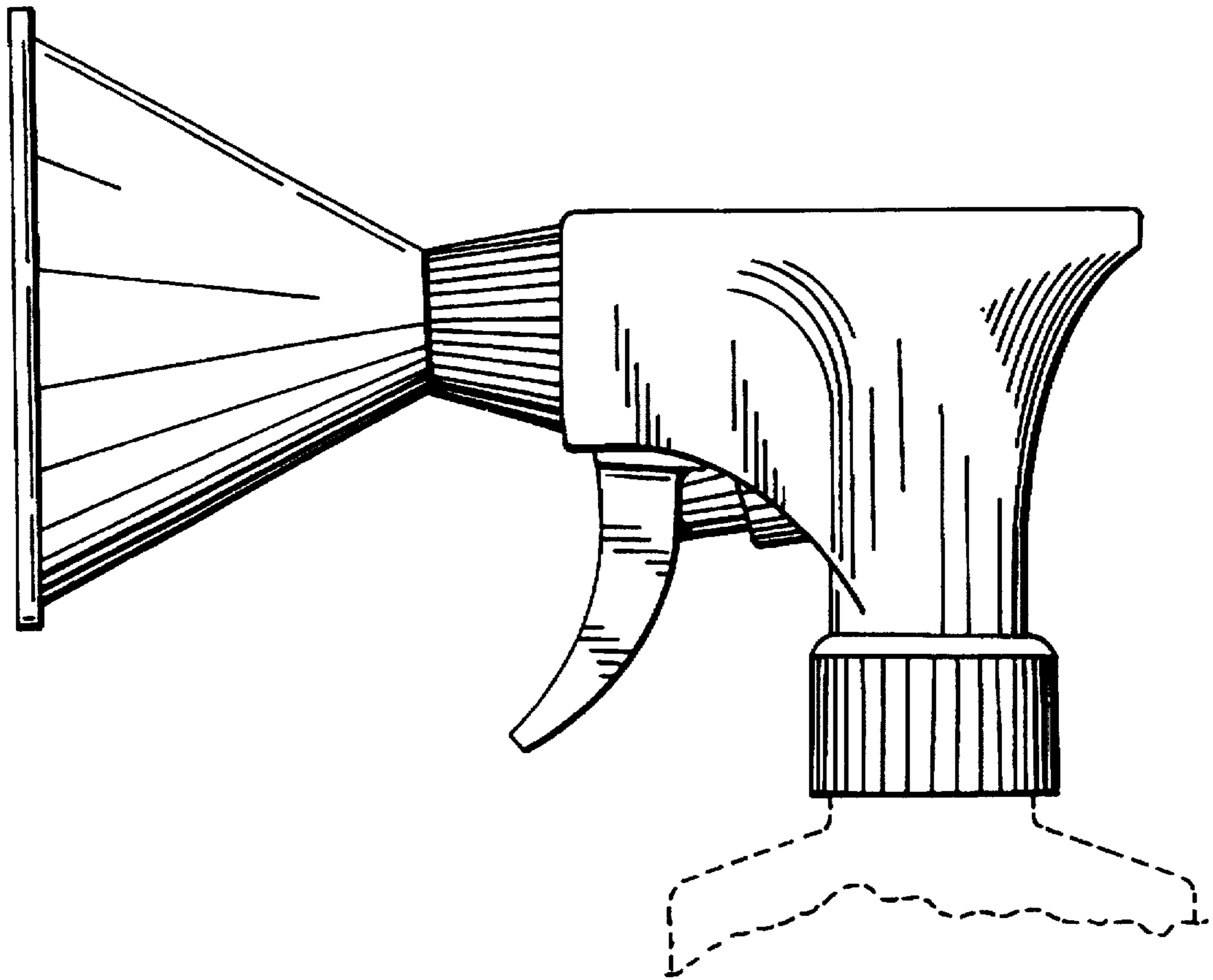


Fig. 6