



US00D386683S

United States Patent [19] Wong

[11] Patent Number: **Des. 386,683**
[45] Date of Patent: ****Nov. 25, 1997**

[54] CLOSURE
[75] Inventor: **Kon Euan Wong, Box Hill, Australia**
[73] Assignee: **Bayly Design Associates Pty. Ltd.,
Victoria, Australia**
[**] Term: **14 Years**

D. 345,073 3/1994 Carlson D7/300.1
D. 359,451 6/1995 Dees D9/454 X
2,387,573 10/1945 Ganson D24/197 X
4,828,137 5/1989 Batson et al. 220/270
5,207,783 5/1993 Burton 215/256
5,373,955 12/1994 Marino 215/256

FOREIGN PATENT DOCUMENTS

2255083 10/1992 United Kingdom 215/256

[21] Appl. No.: **40,357**
[22] Filed: **Jun. 15, 1995**
[30] Foreign Application Priority Data

Dec. 16, 1994 [AU] Australia 4201/94

[51] LOC (6) CL **09-07**
[52] U.S. Cl. **D9/443; D9/445**
[58] Field of Search D9/434.5, 443,
D9/454; D7/300.1, 391; D24/197-199;
215/256; 220/270; 222/541.1, 541.5, 541.6,
541.9

Primary Examiner—James Gandy
Assistant Examiner—Cathron B. Matta
Attorney, Agent, or Firm—Ladas & Parry

[57] CLAIM

The ornamental design for closure, as shown and described.

DESCRIPTION

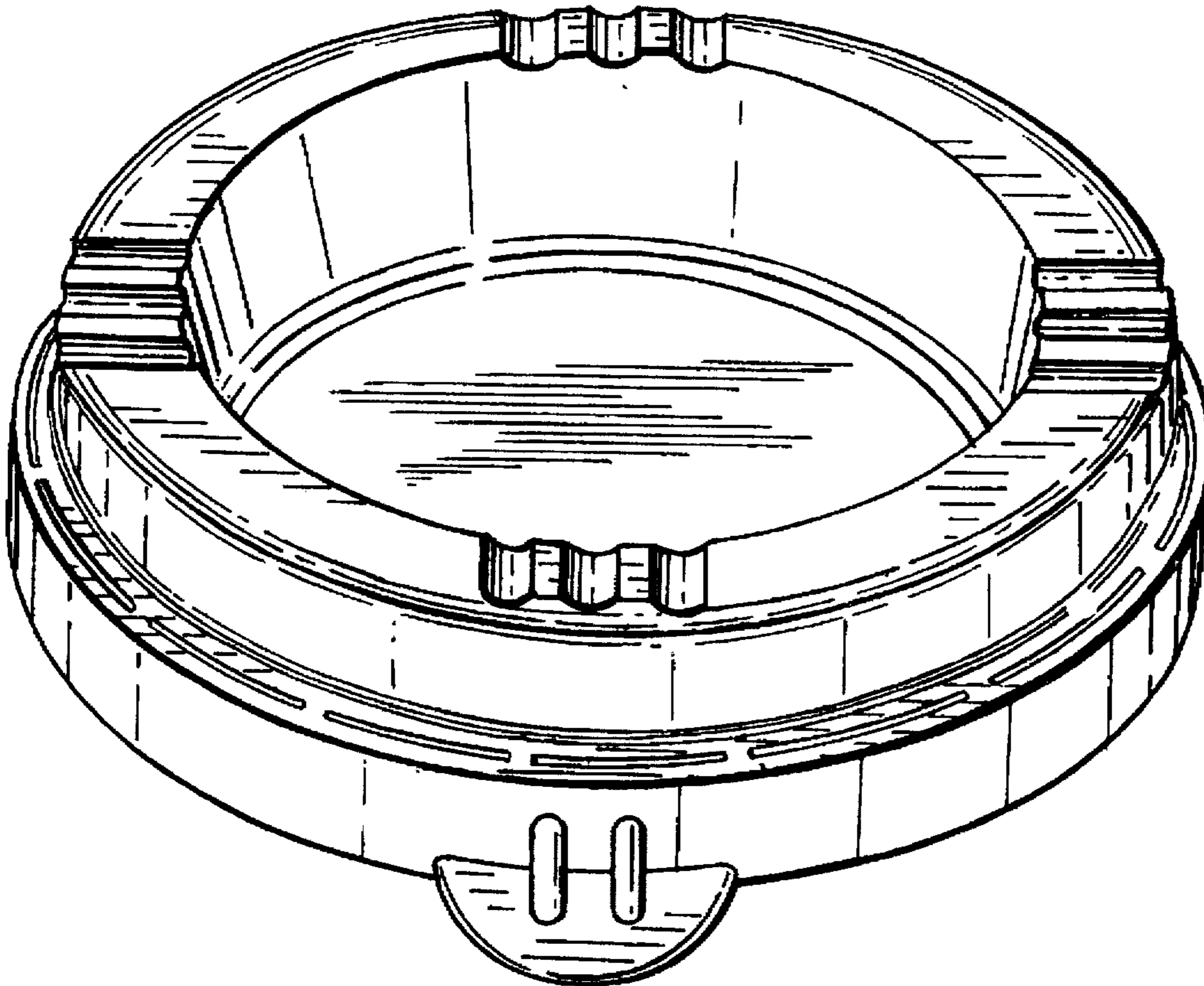
FIG. 1 is a top and front perspective view of a closure showing my new design;
FIG. 2 is a top view thereof, shown at a reduced scale, the dashed lines representing a frangible line;
FIG. 3 is a front view thereof, shown at a reduced scale, the rear view (not shown) being substantially the same except for omission of the tab; and,
FIG. 4 is a left side view thereof, shown at a reduced scale, the right side view being a mirror image.

[56] References Cited

U.S. PATENT DOCUMENTS

D. 320,559 10/1991 Olson D9/454 X
D. 335,424 5/1993 Chang D7/391

1 Claim, 1 Drawing Sheet



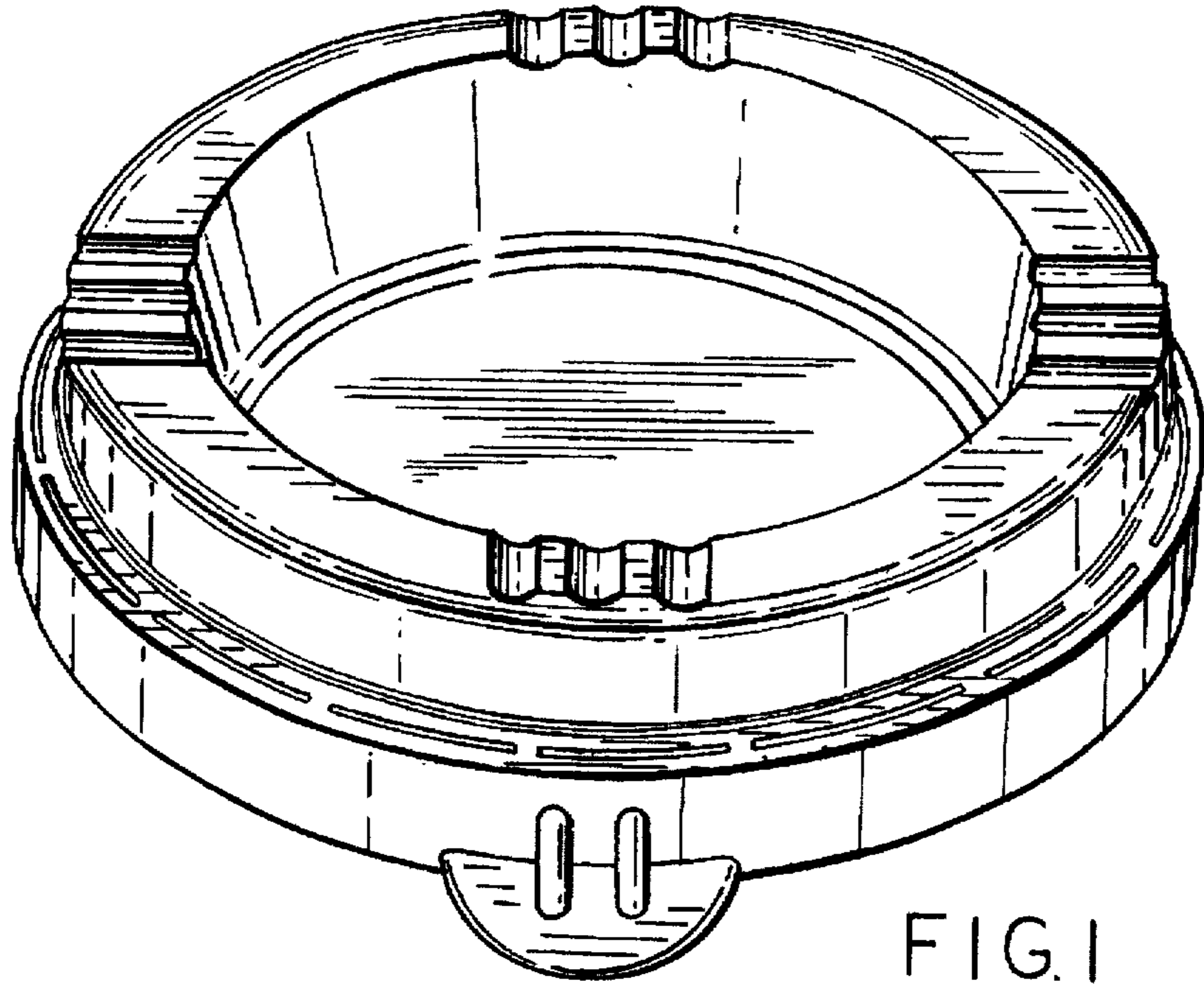


FIG. 1



FIG. 4

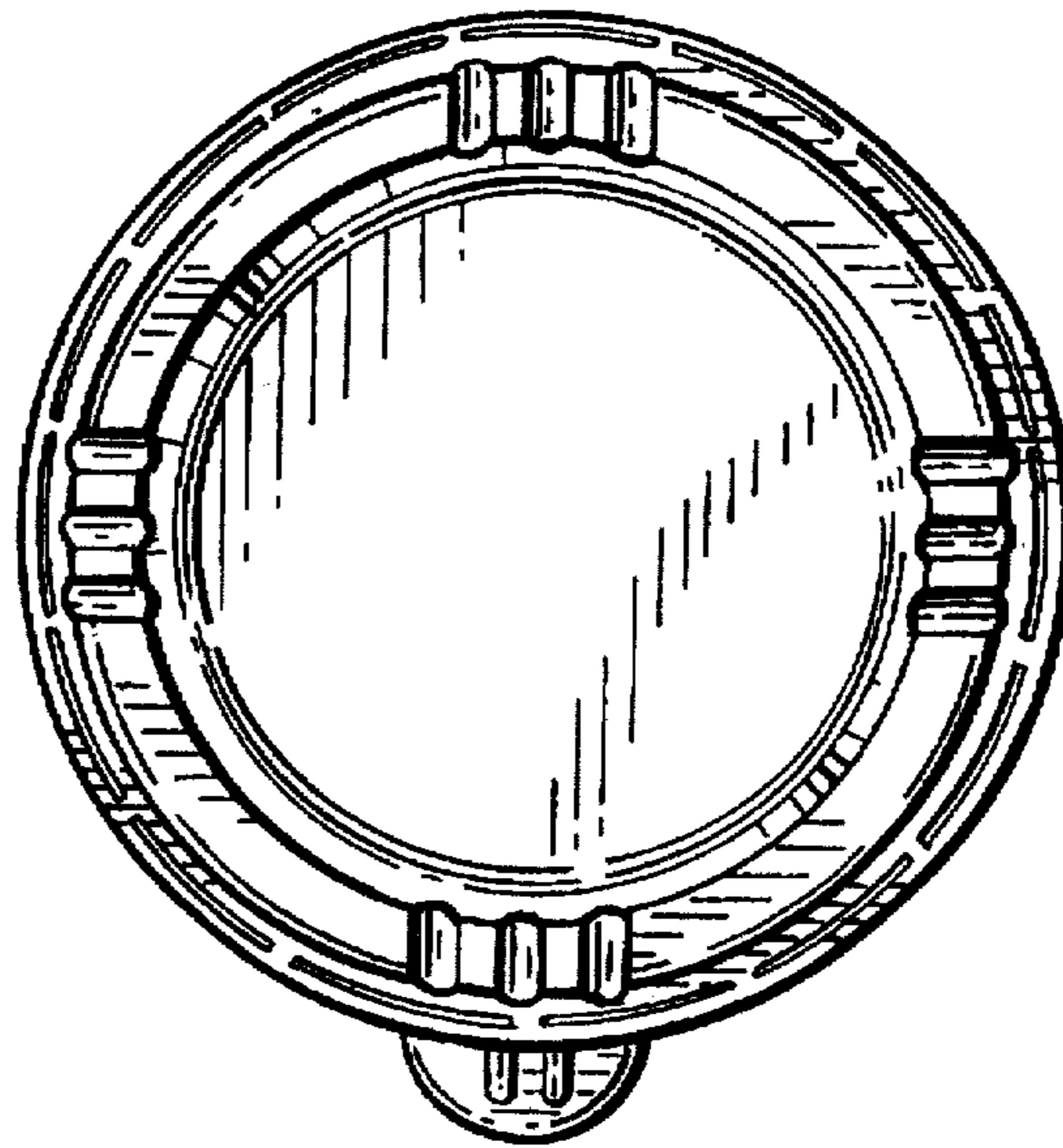


FIG. 2

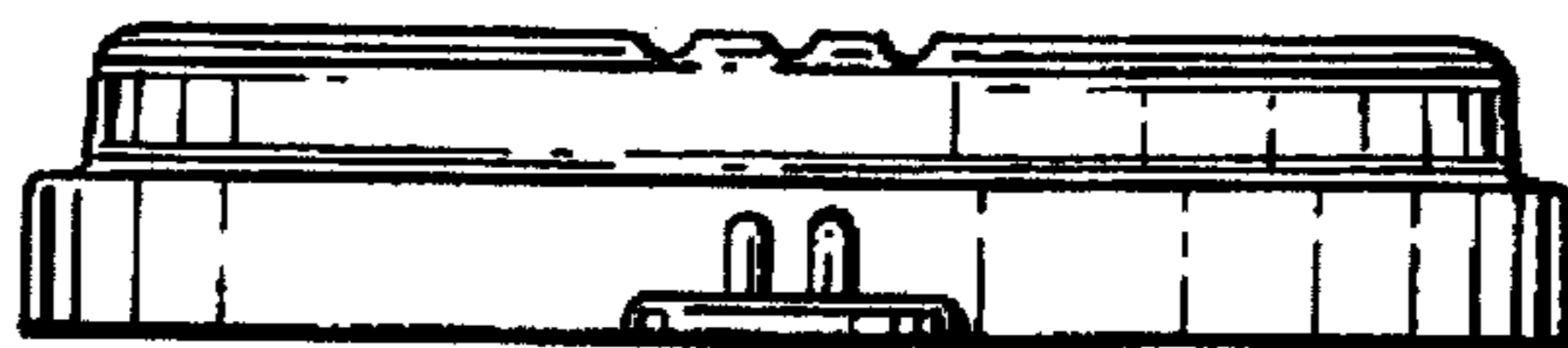


FIG. 3