



US00D386681S

United States Patent [19] Reil

[11] Patent Number: **Des. 386,681**

[45] Date of Patent: ****Nov. 25, 1997**

[54] **SNAP CLOSURE FOR DISPLAY PACKAGE**

[76] Inventor: **Vladimir Reil**, 32405 Nautilus Dr.,
Rancho Palos Verdes, Calif. 90274

[**] Term: **14 Years**

[21] Appl. No.: **52,770**

[22] Filed: **Apr. 12, 1996**

[51] LOC (6) Cl. **09-07**

[52] U.S. Cl. **D9/434**

[58] Field of Search D9/434, 456, 499,
D9/345, 418, 424, 25, 432; 206/461, 467,
468, 471; 220/306

[56] **References Cited**

U.S. PATENT DOCUMENTS

D. 291,178	8/1987	Toms	D9/424 X
D. 305,616	1/1990	Johnson	D9/345
D. 305,986	2/1990	Christiansen et al.	D9/424
4,362,252	12/1982	Graff	220/306 X
4,446,984	5/1984	Roth et al.	220/306 X
4,494,650	1/1985	Cullen	206/315.9
4,512,474	4/1985	Harding	206/461
5,076,459	12/1991	DeHart	220/306
5,143,218	9/1992	Braukmann	206/467
5,310,060	5/1994	Bitner et al.	206/807 X

Primary Examiner—James Gandy
Assistant Examiner—Cathron B. Matta
Attorney, Agent, or Firm—Cislo & Thomas LLP

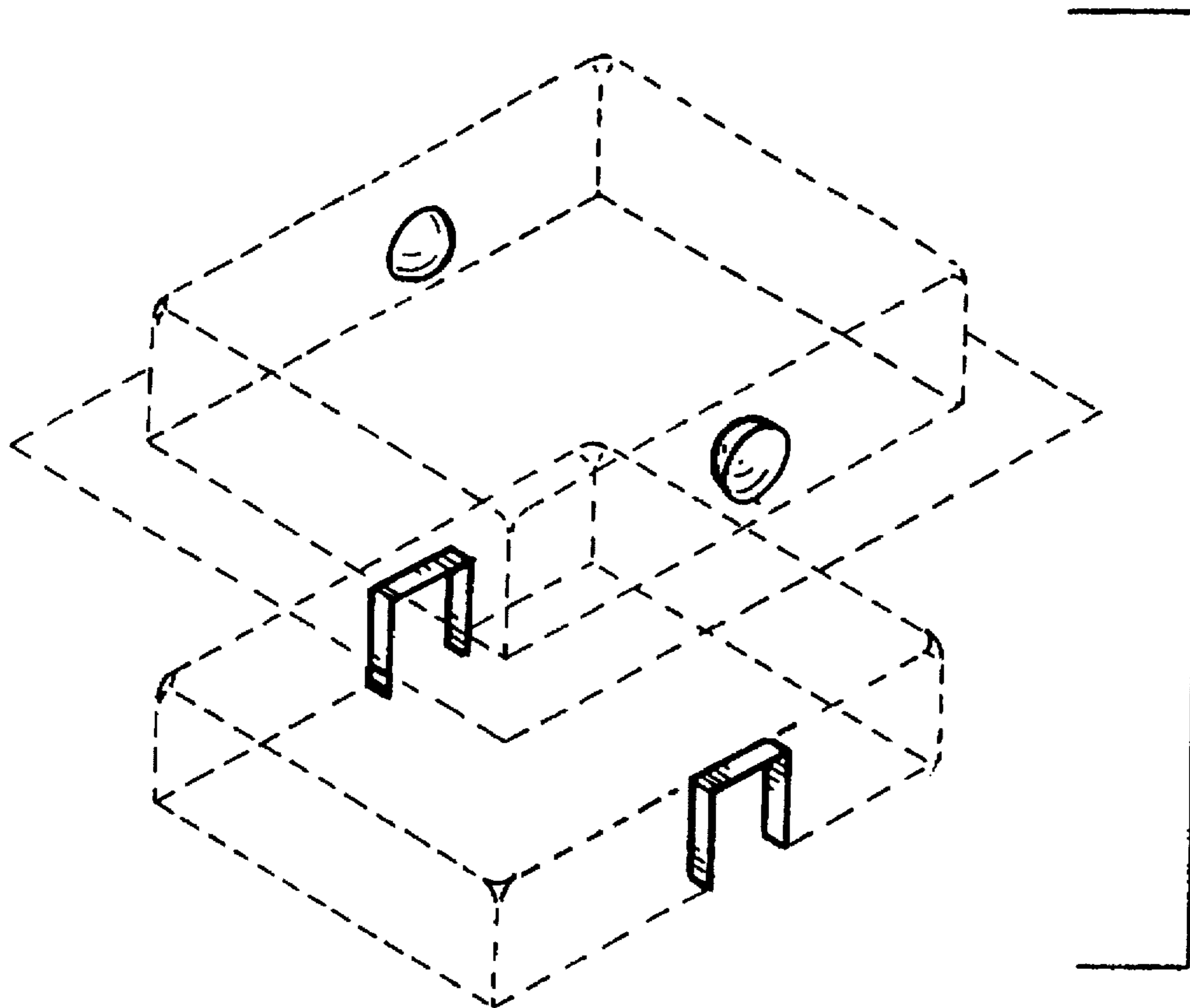
[57] **CLAIM**

The ornamental design for a snap closure for display pack-
age, as shown and described.

DESCRIPTION

FIG. 1 is an exploded perspective view of the snap closure
for display package with a two component blister pak shown
in broken line for illustrative purposes only and forming no
part of the claimed design;
FIG. 2 is a right side elevational view of the snap closure in
the closed position;
FIG. 3 is a left side elevational view of the snap closure in
the closed position;
FIG. 4 is a front view of the snap closure in the closed
position;
FIG. 5 is a back view of the snap closure in the closed
position;
FIG. 6 is a top view of the snap closure in the closed
position; and,
FIG. 7 is a bottom view of the snap closure in the closed
position.

1 Claim, 1 Drawing Sheet



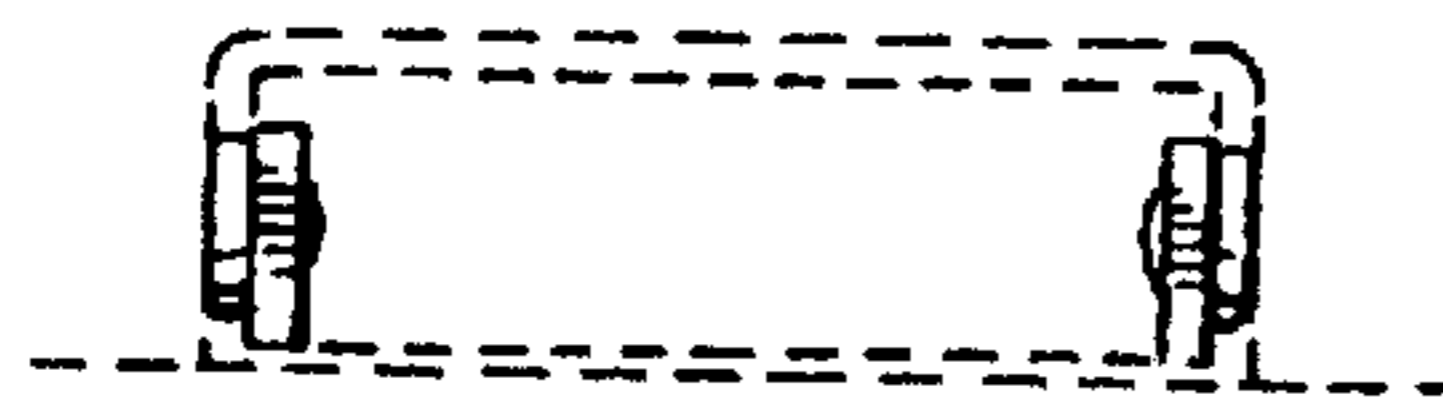
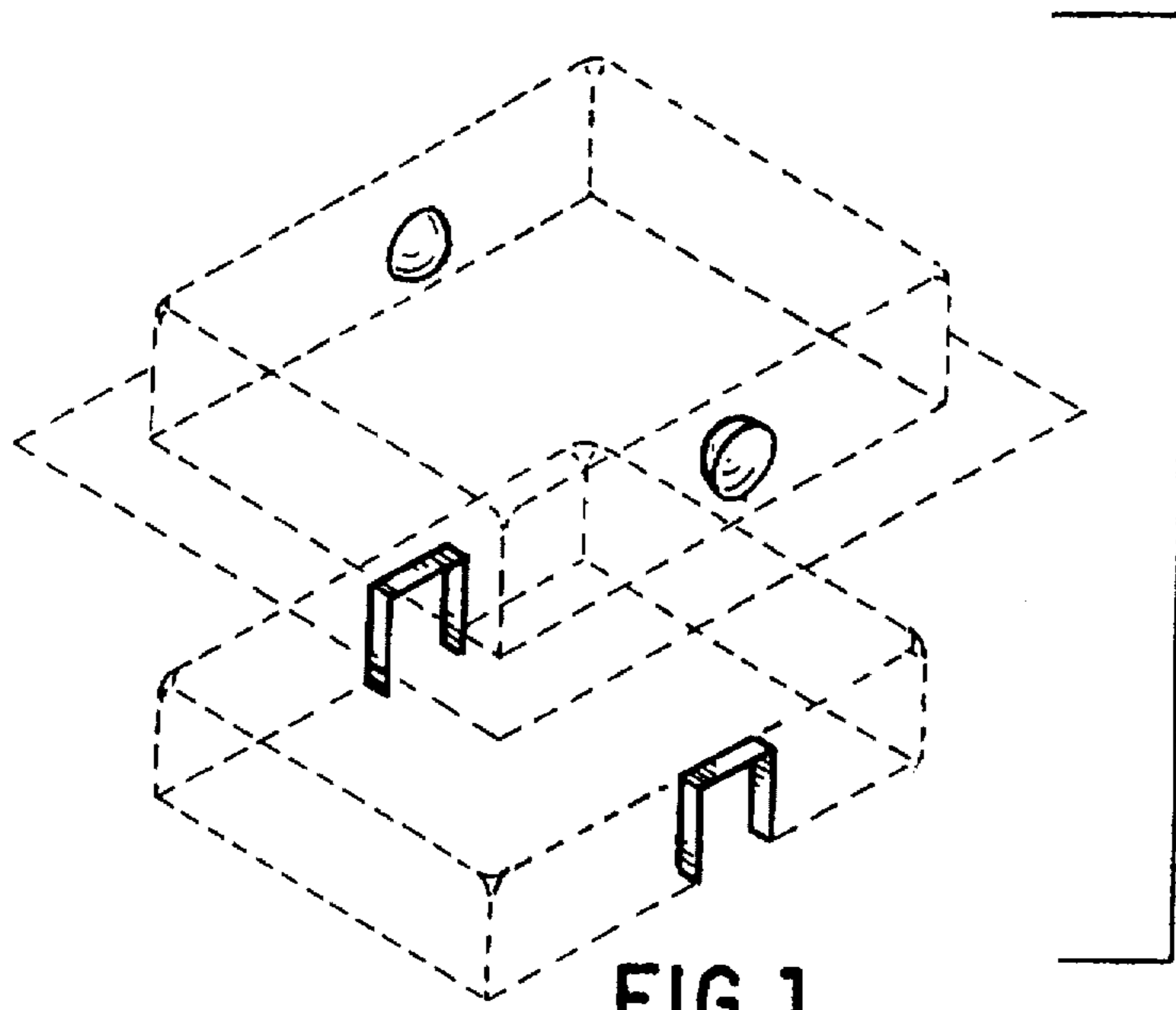


FIG. 2

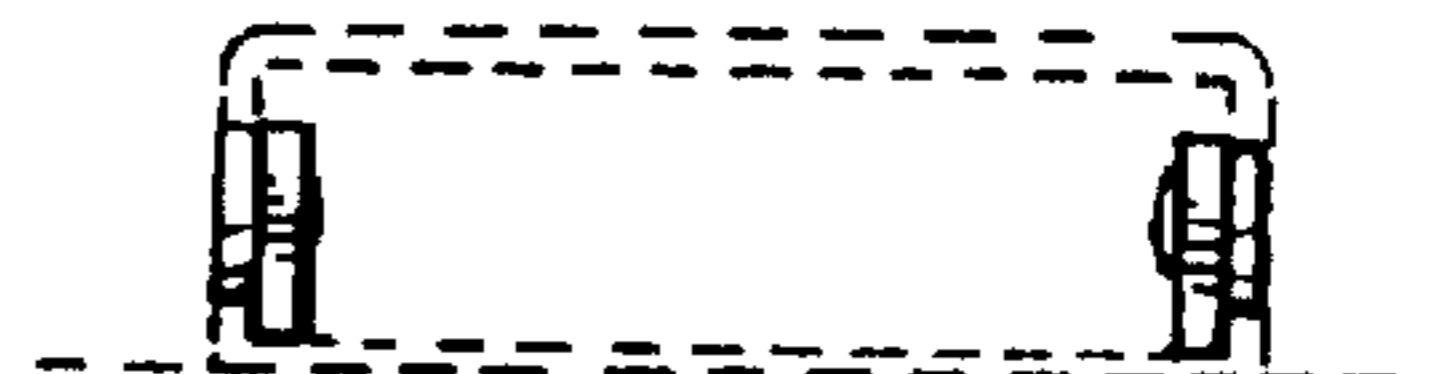


FIG. 3

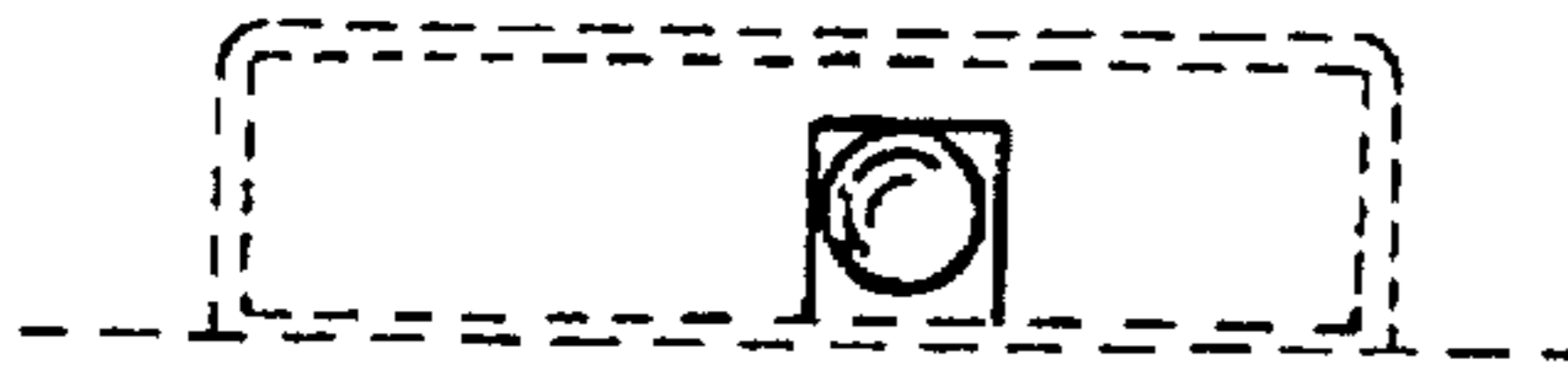


FIG. 4



FIG. 5

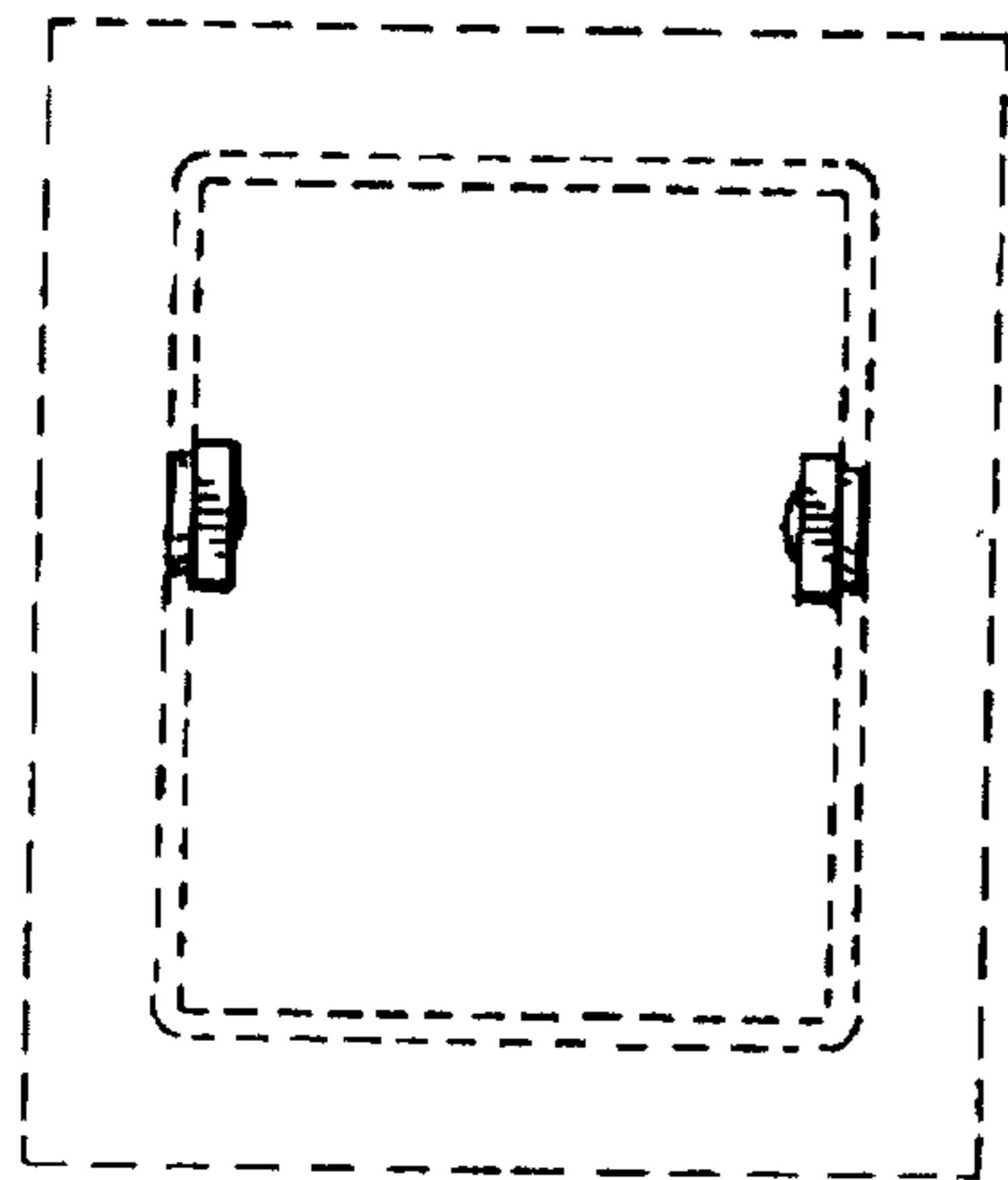


FIG. 6

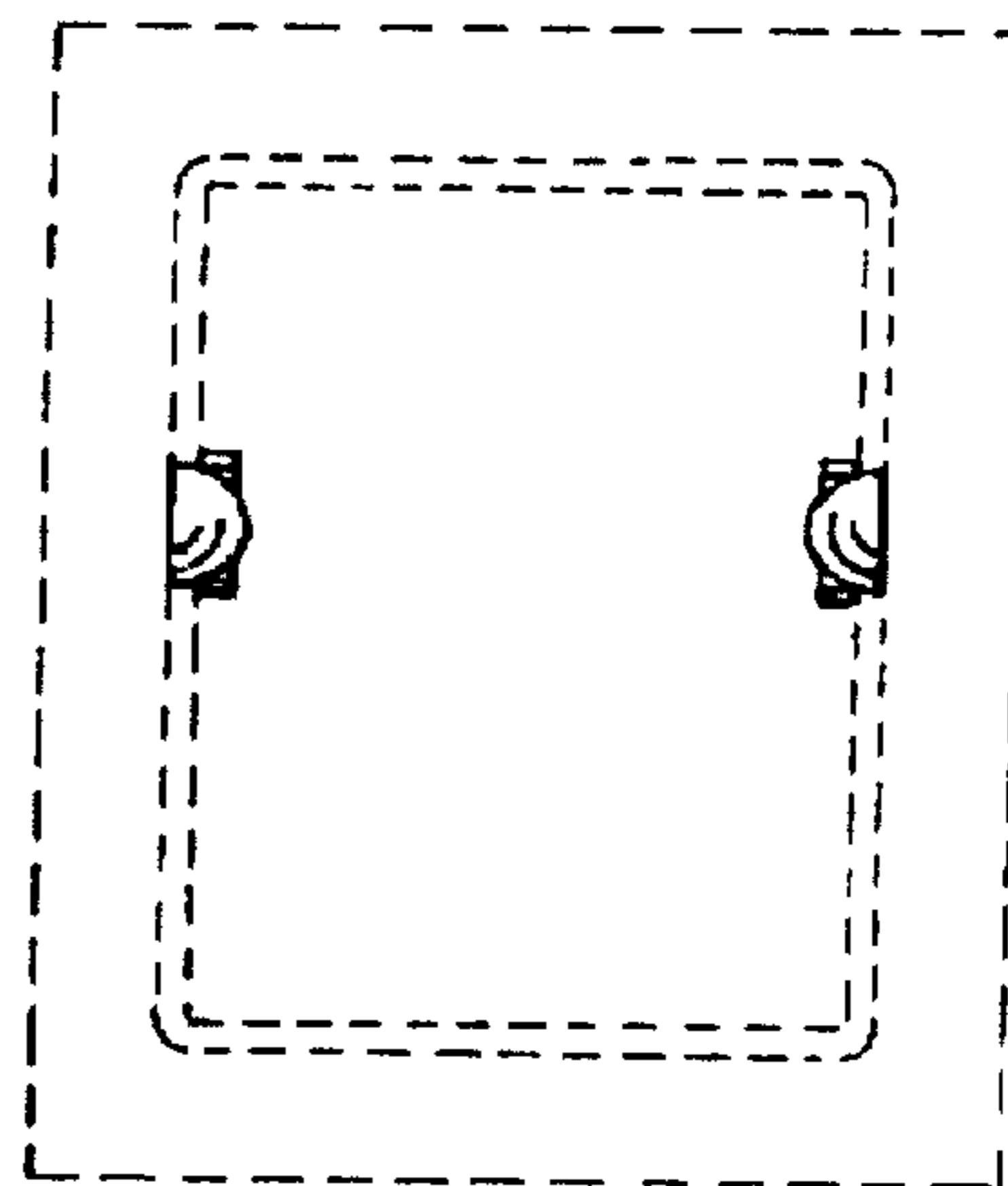


FIG. 7