



US00D386676S

United States Patent [19]
Hale

[11] **Patent Number: Des. 386,676**

[45] **Date of Patent: **Nov. 25, 1997**

[54] **CONTAINER ATTACHMENT**
[76] **Inventor: Gary Allen Hale, 51 Brook St., East Hartford, Conn. 06108**

2,961,668 11/1960 Hayes D21/168 X
3,263,236 8/1966 Humphrey D29/106 X
4,101,032 7/1978 Obidniak 206/457
4,824,414 4/1989 Goldblatt D21/177 X

[**] **Term: 14 Years**

*Primary Examiner—Phabhakar G. Deshmukh
Attorney, Agent, or Firm—St. Onge Steward Johnston & Reens LLC*

[21] **Appl. No.: 53,665**

[22] **Filed: Apr. 26, 1996**

[57] **CLAIM**

[51] **LOC (6) Cl. 09-03**

[52] **U.S. Cl. D9/316**

[58] **Field of Search D9/316, 307, 311, D9/319; D21/177, 168; D32/37; D99/37, 39, 40; D29/102, 106; D34/4; 206/457**

The ornamental design for a container attachment, as shown and described.

DESCRIPTION

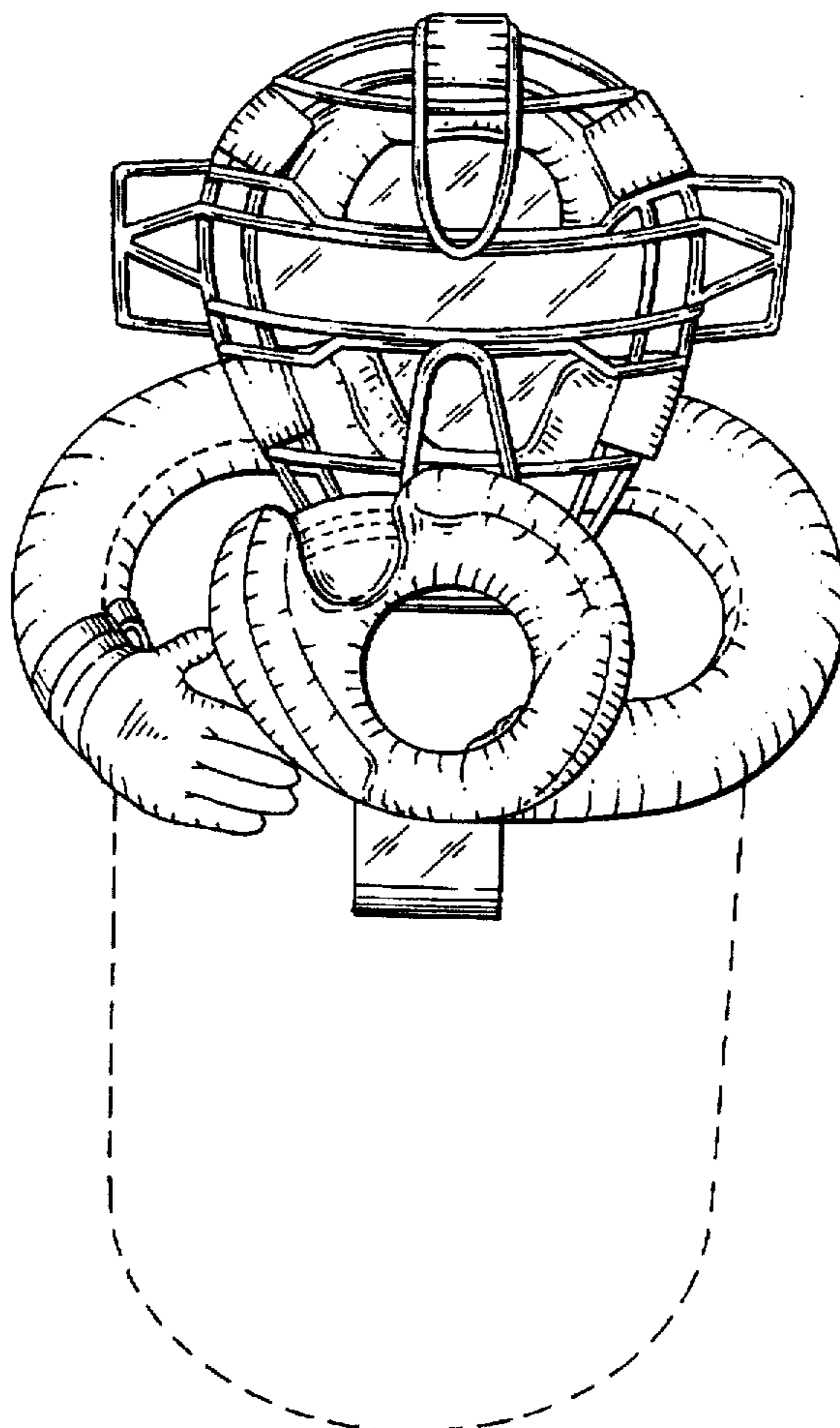
FIG. 1 is a perspective view of a container attachment showing my new design;
FIG. 2 is a front elevation view thereof;
FIG. 3 is a top plan view thereof;
FIG. 4 is a side elevation view thereof; and,
FIG. 5 is a rear elevation view thereof.
FIGS. 2-5 are shown exploded for ease of illustration. The broken line showing of the container in FIG. 1 is for illustrative purposes only and forms no part of the claimed design.

[56] **References Cited**

U.S. PATENT DOCUMENTS

D. 264,610 5/1982 Galbreath D21/166 X
D. 279,727 7/1985 Mitchell D21/168 X
D. 318,747 7/1991 Barker D29/106 X
D. 338,546 8/1993 Barker D29/106 X
D. 346,110 4/1994 Hale .
D. 346,111 4/1994 Hale .
D. 371,600 7/1996 Henry D21/168 X

1 Claim, 5 Drawing Sheets



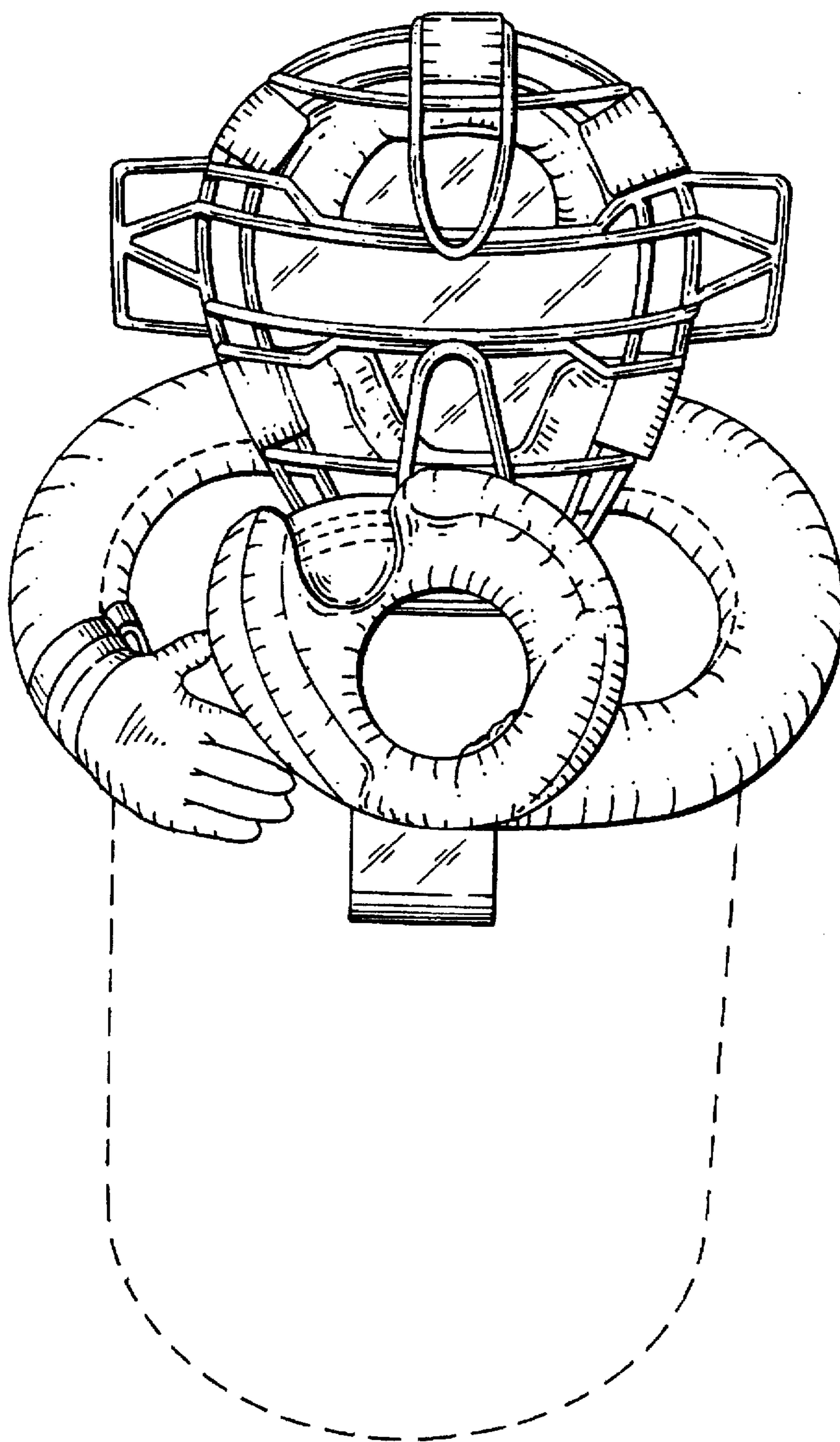


FIG. 1

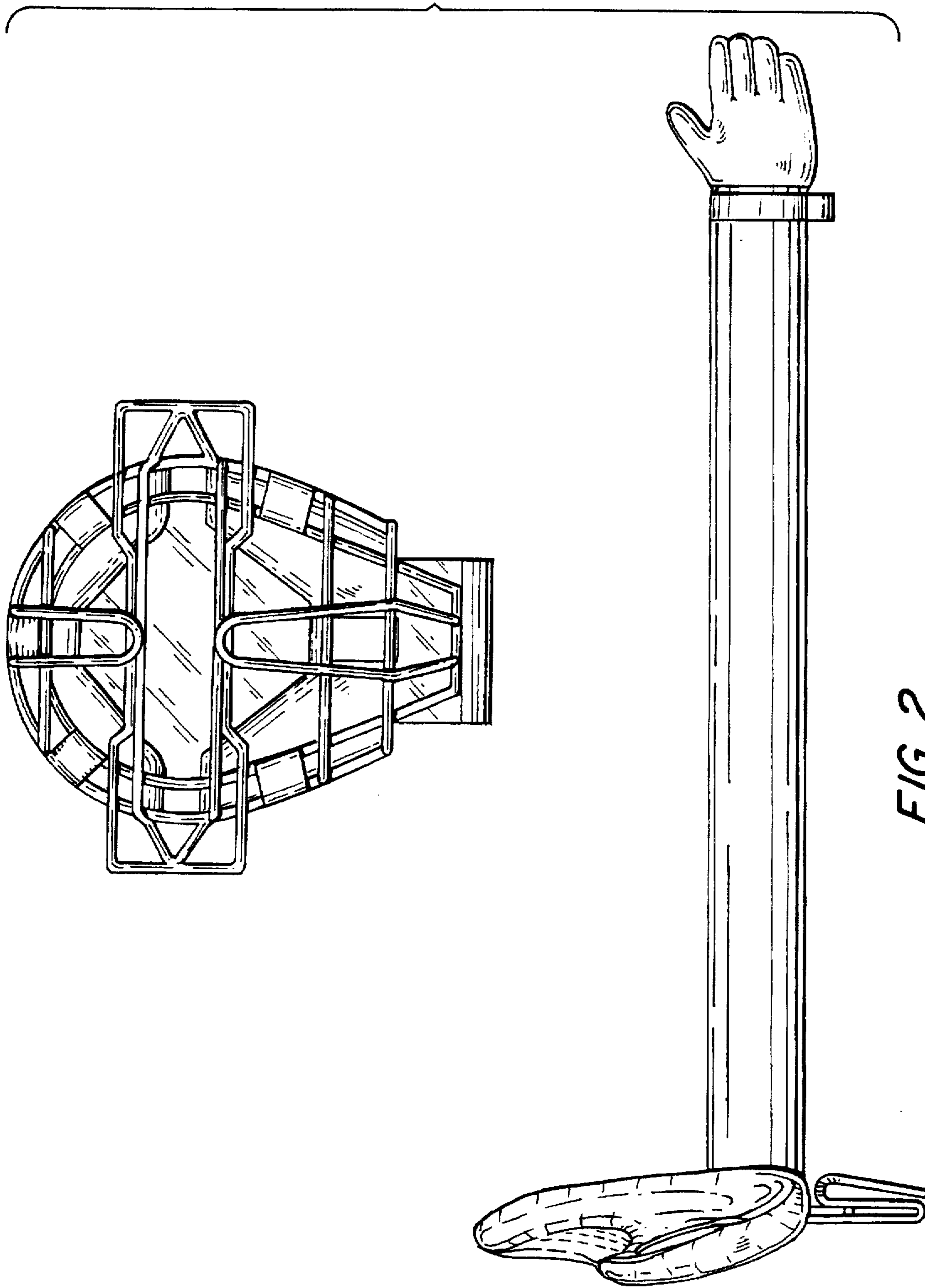


FIG. 2

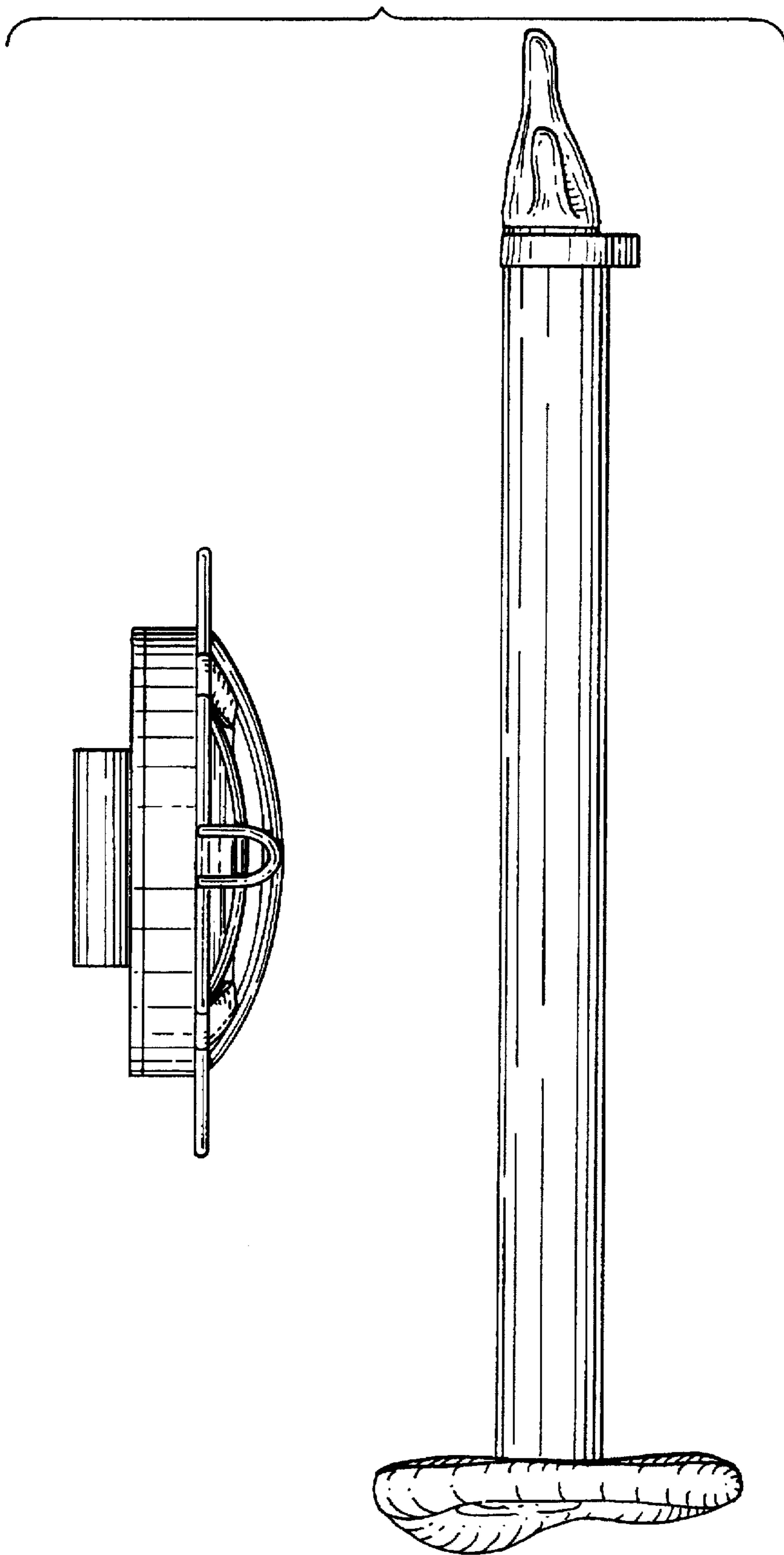


FIG. 3

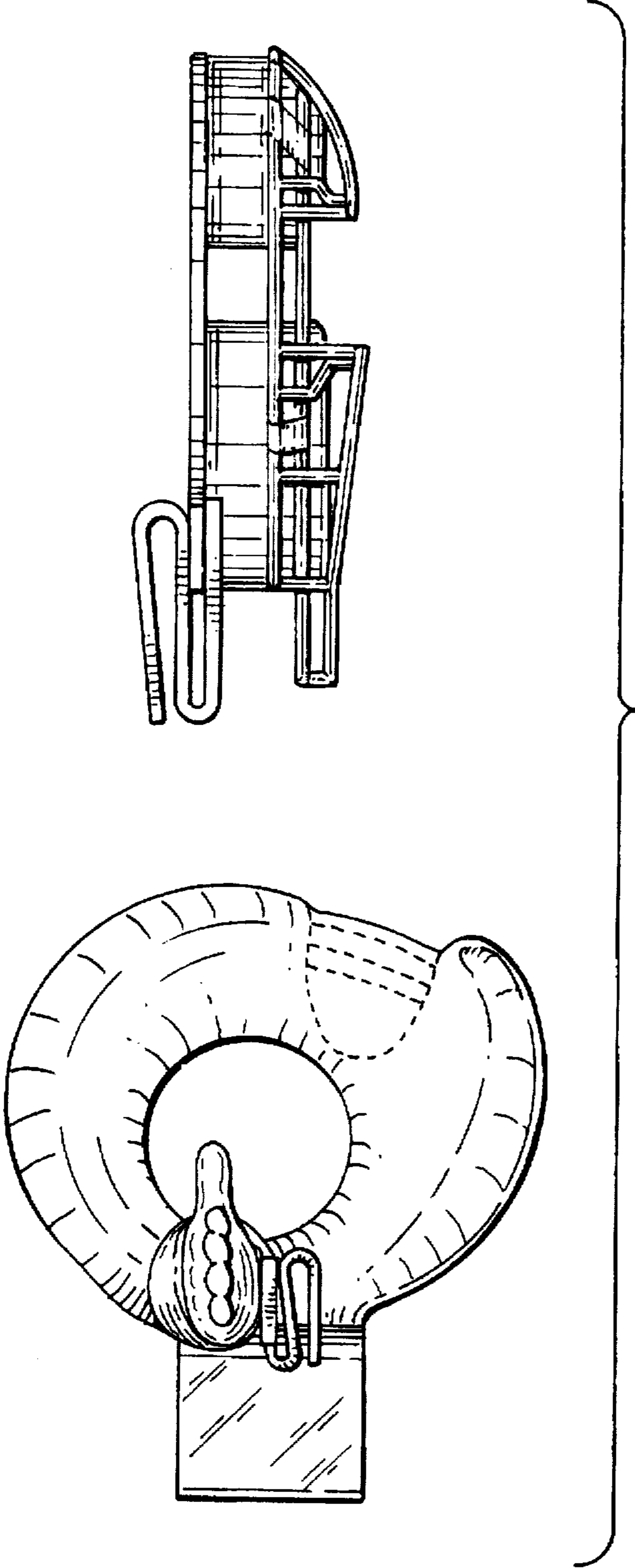


FIG. 4

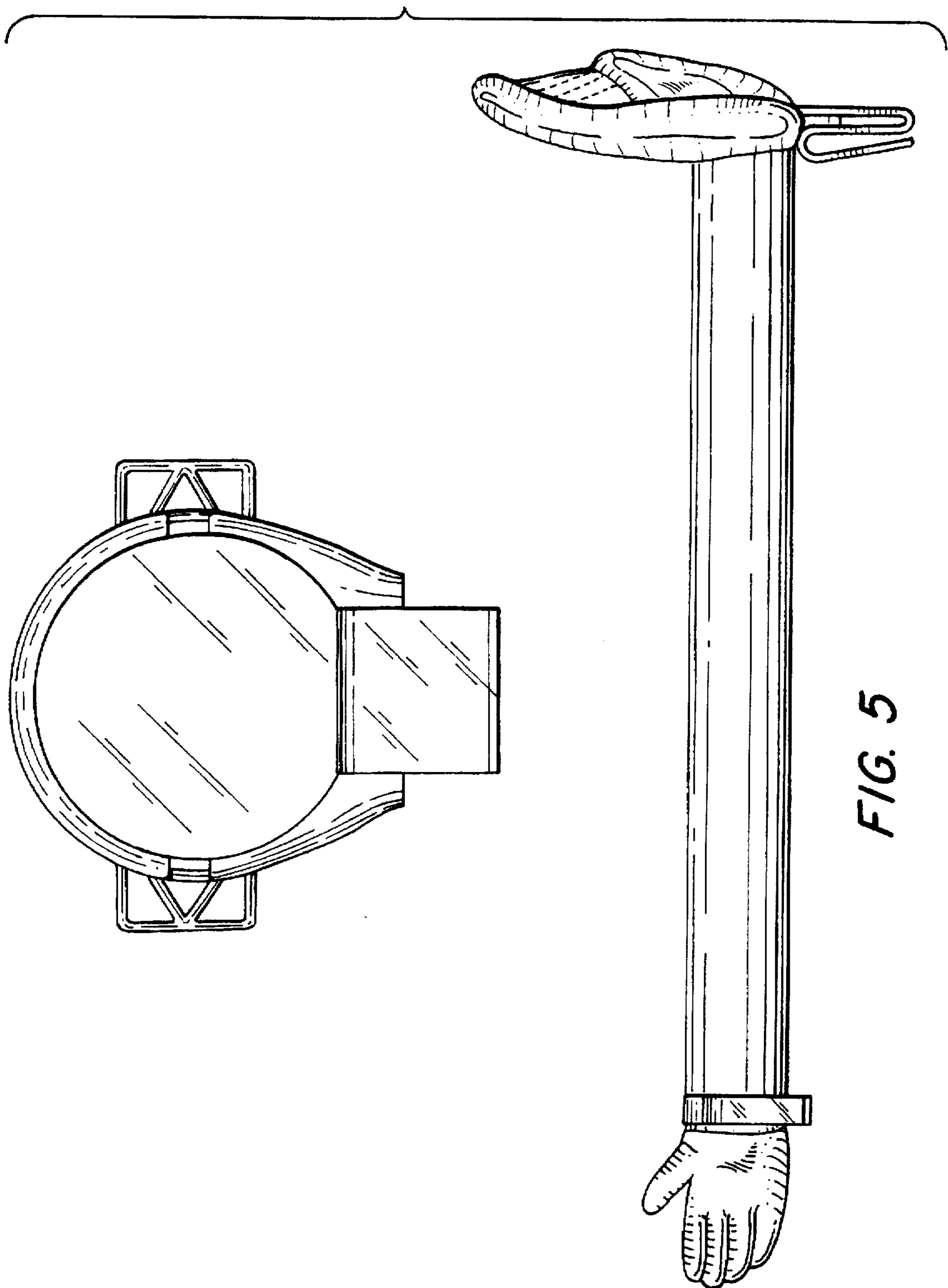


FIG. 5