



US00D386670S

United States Patent [19]
Phillips

[11] **Patent Number: Des. 386,670**
[45] **Date of Patent: **Nov. 25, 1997**

[54] **SUPPORT DEVICE FOR ELONGATE MEMBERS**

[75] **Inventor: Raymond John Phillips, Alton, United Kingdom**

[73] **Assignee: Speciality Holdings Limited, Tortolla, Virgin Islands (Br.)**

[**] **Term: 14 Years**

[21] **Appl. No.: 57,191**

[22] **Filed: Jul. 19, 1996**

[51] **LOC (6) Cl. 08-08**

[52] **U.S. Cl. D8/396; D8/380**

[58] **Field of Search D8/356, 373, 380, D8/382, 394-396; D23/265; 248/56, 71, 74.1; 24/20 R, 20 CW, 20 S**

[56] **References Cited**

U.S. PATENT DOCUMENTS

D. 273,763 5/1984 Sakaguchi D8/394 X
D. 295,723 5/1988 Shioda D8/380 X

D. 369,740 5/1996 Phillips D8/380 X
4,285,486 8/1981 Von Osten et al. D8/373 X
4,478,381 10/1984 Pittion et al. 248/71
4,728,071 3/1988 Salacuse D8/396 X
4,961,554 10/1990 Smowton 248/74.1 X
5,024,405 6/1991 McGuire 248/71 X
5,102,399 4/1992 Chu 248/74.1 X

Primary Examiner—Catherine Tuttle
Attorney, Agent, or Firm—H. Jay Spiegel

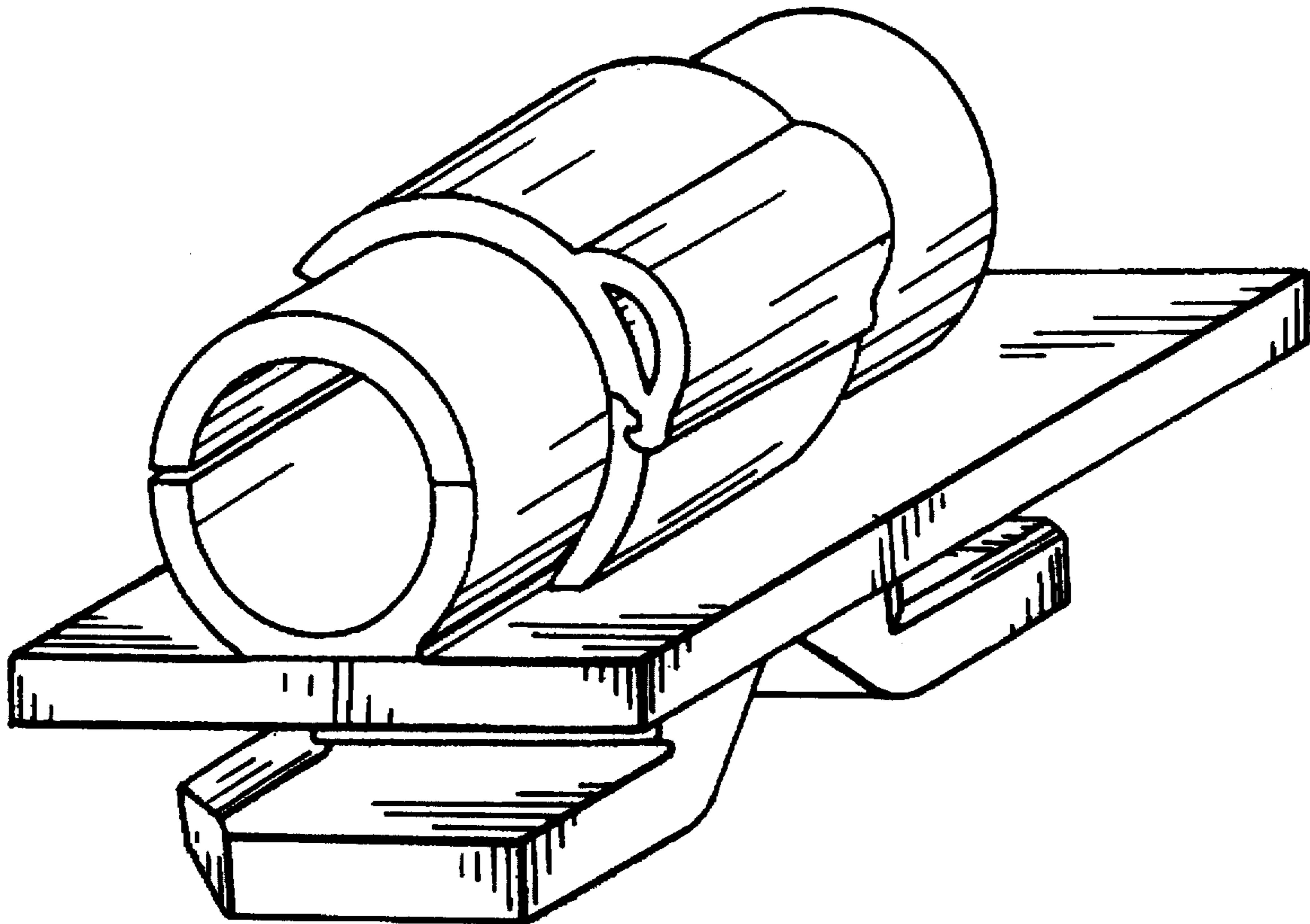
[57] **CLAIM**

The ornamental design for a support device for elongate members, as shown and described.

DESCRIPTION

FIG. 1 shows a top view of my claimed design;
FIG. 2 shows a right side view of my claimed design;
FIG. 3 shows a left side view of my claimed design;
FIG. 4 shows a bottom view of my claimed design;
FIG. 5 shows a front view of my claimed design;
FIG. 6 shows a rear view of my claimed design; and,
FIG. 7 shows a perspective view of my claimed design.

1 Claim, 2 Drawing Sheets



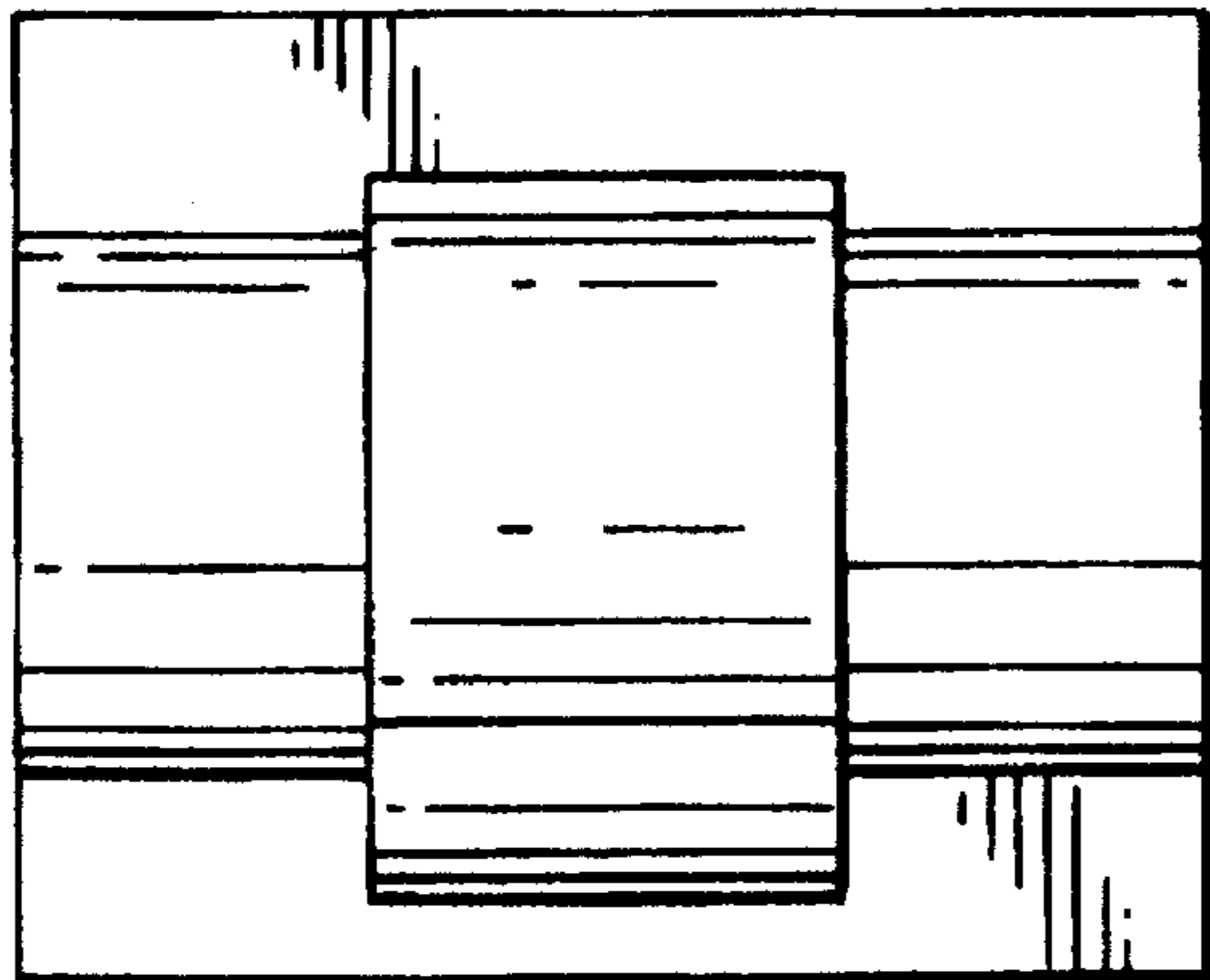


FIG. 1

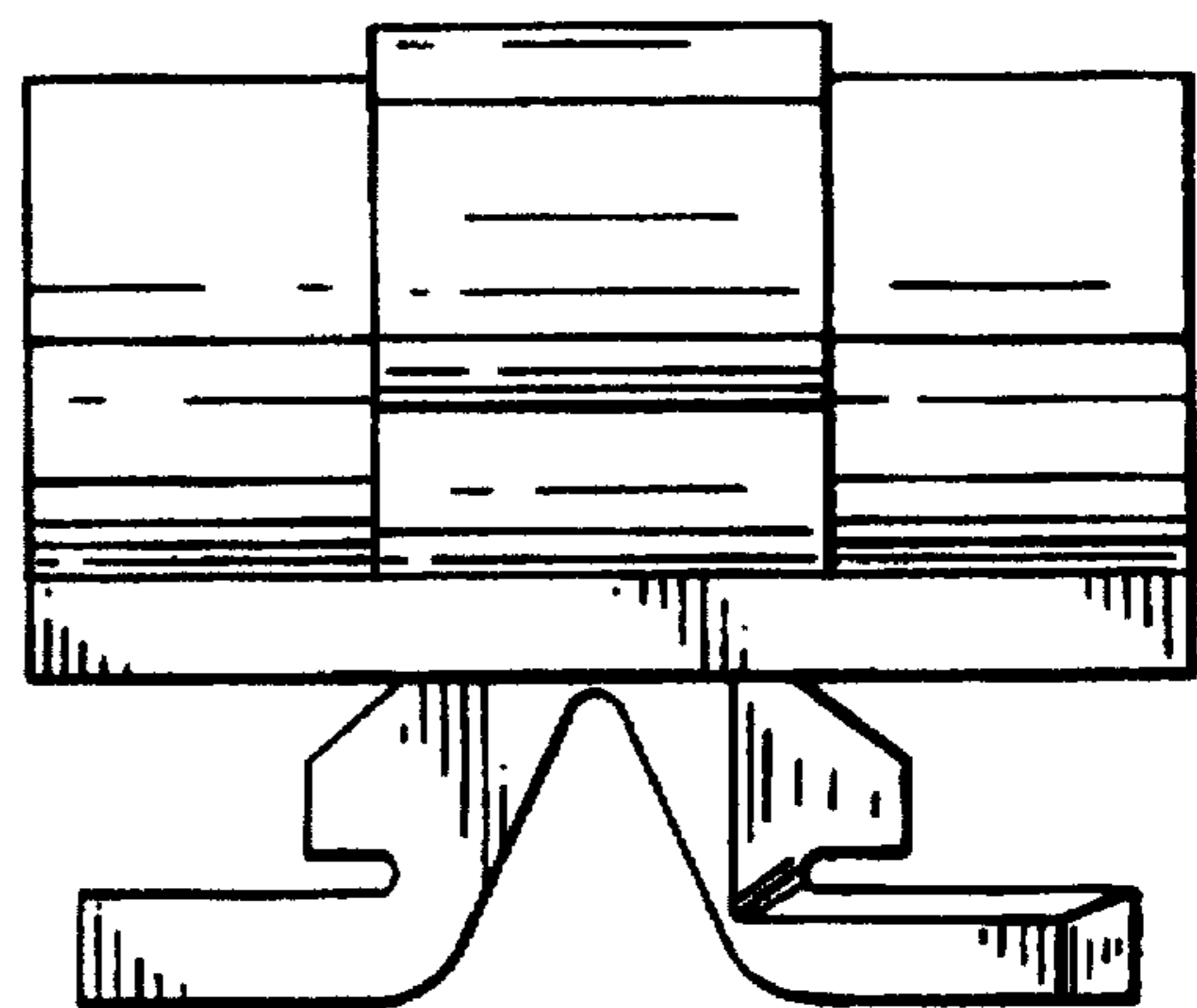


FIG. 2

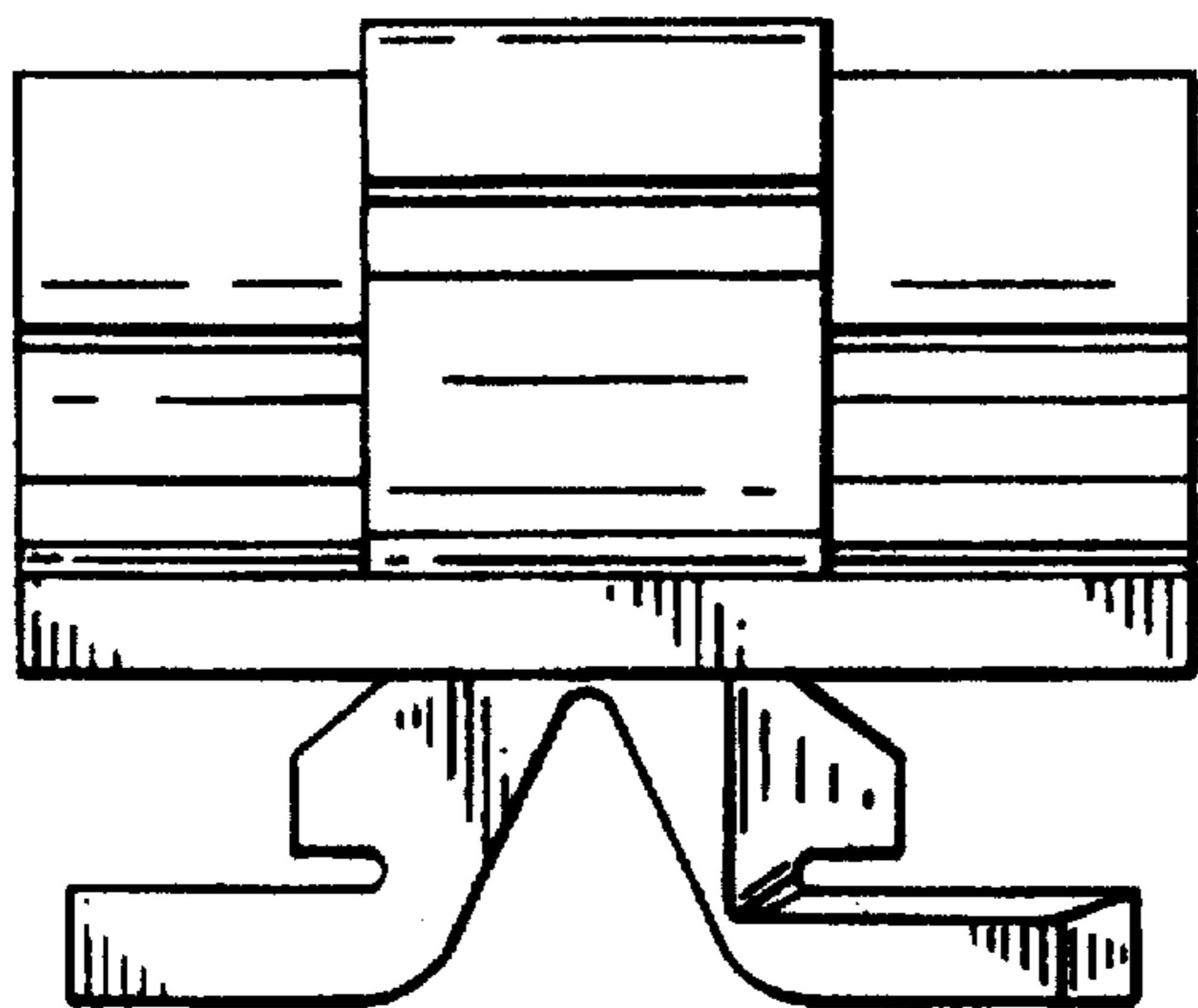
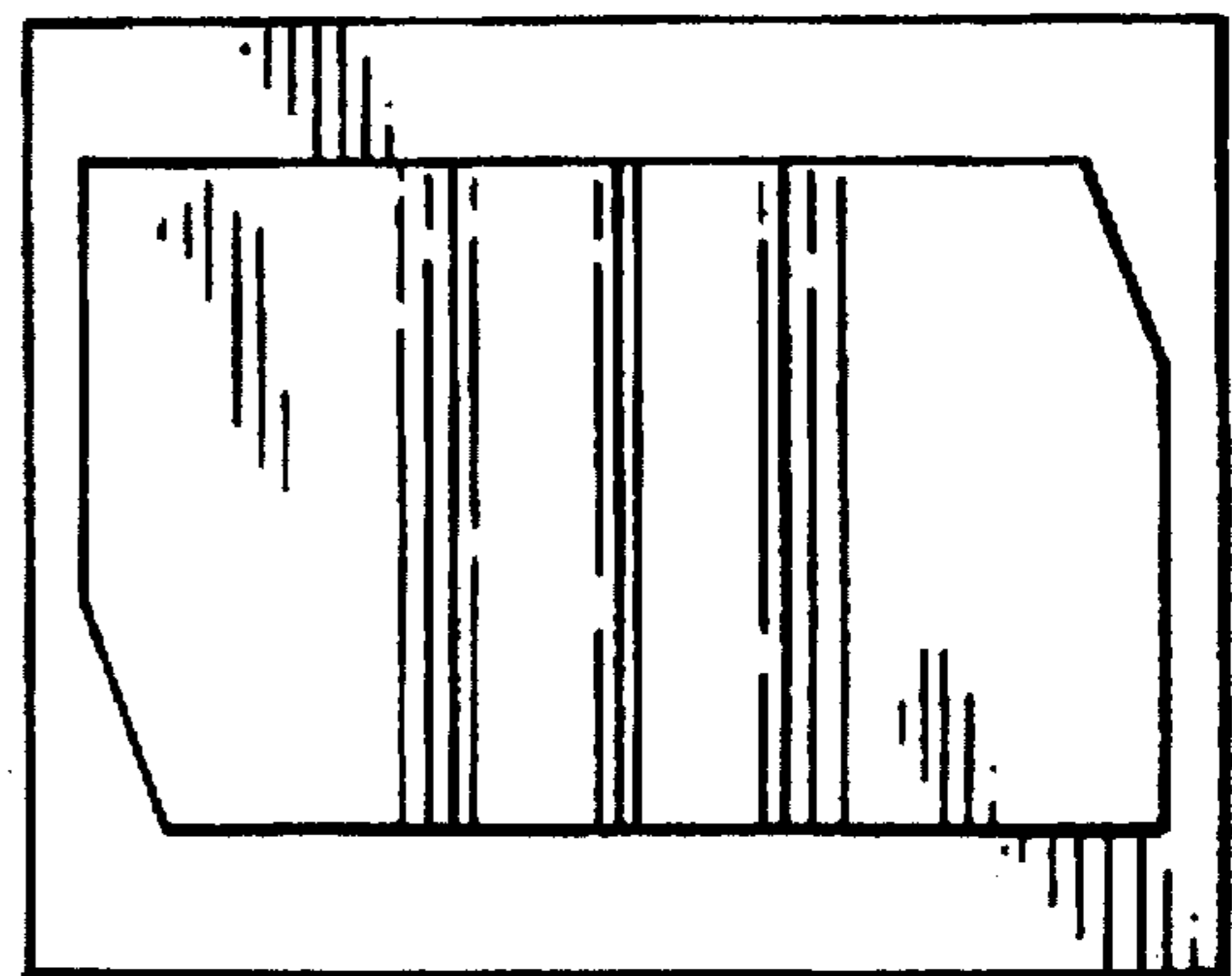


FIG. 3

FIG. 4



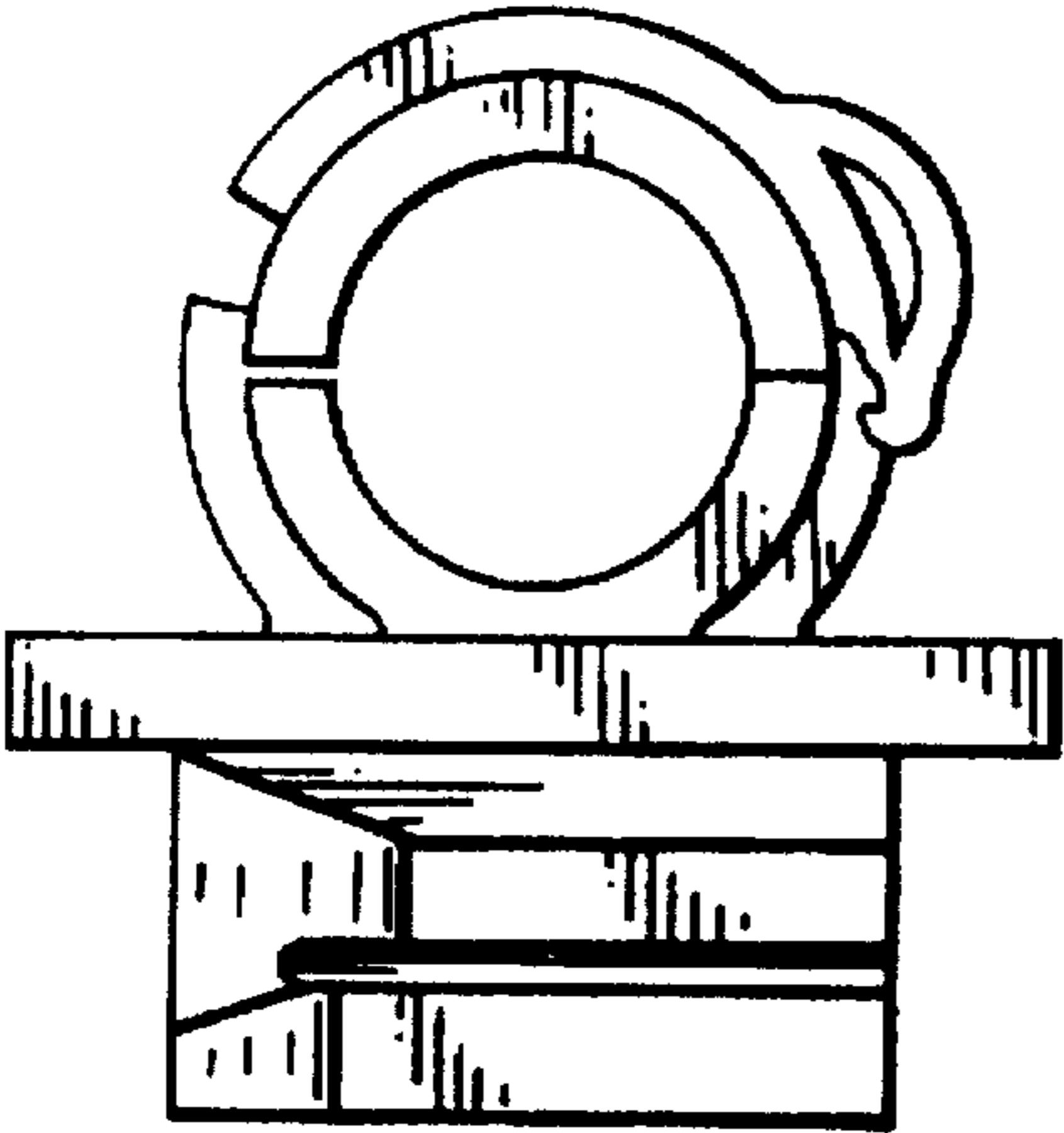


FIG. 5

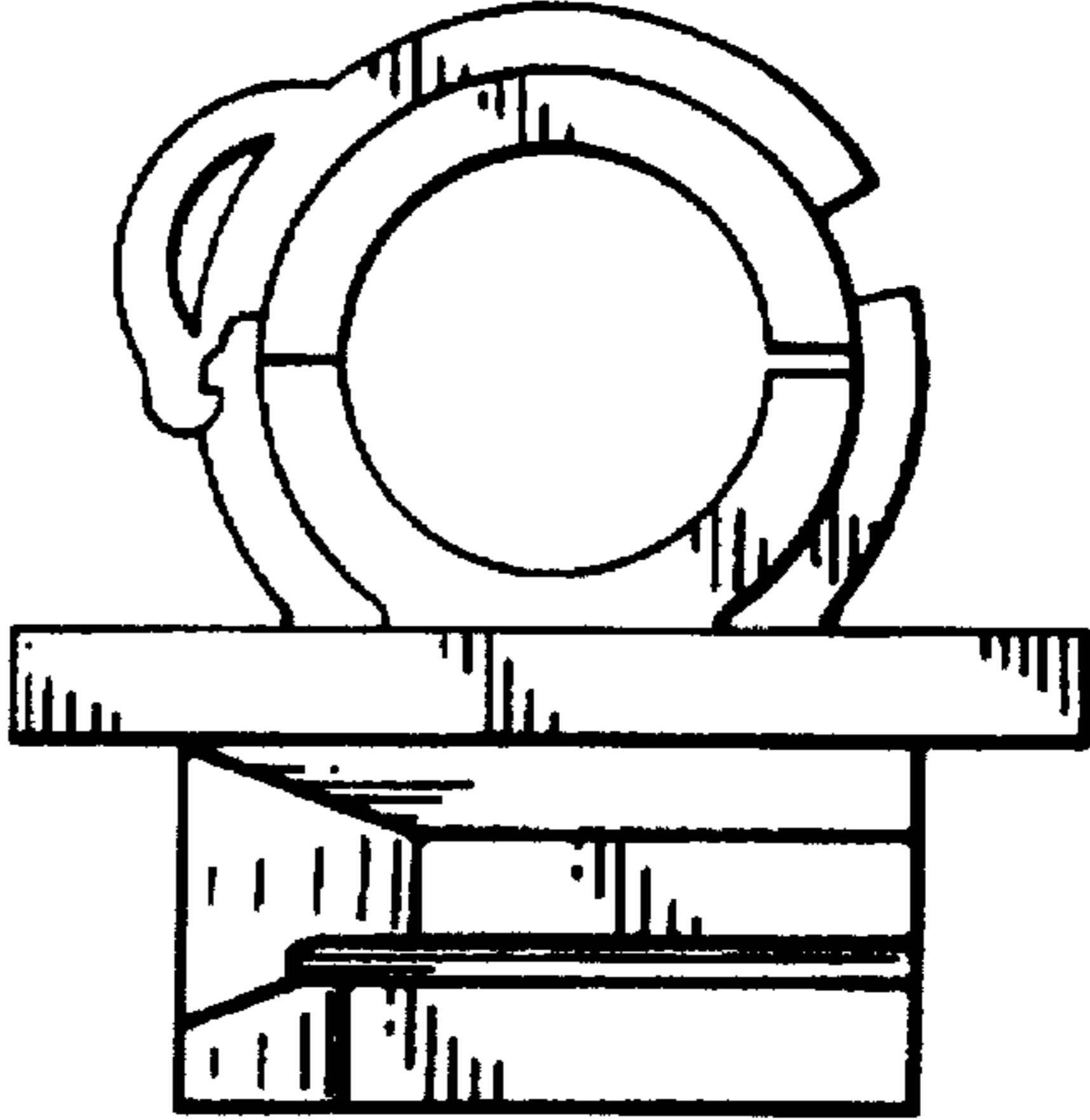


FIG. 6

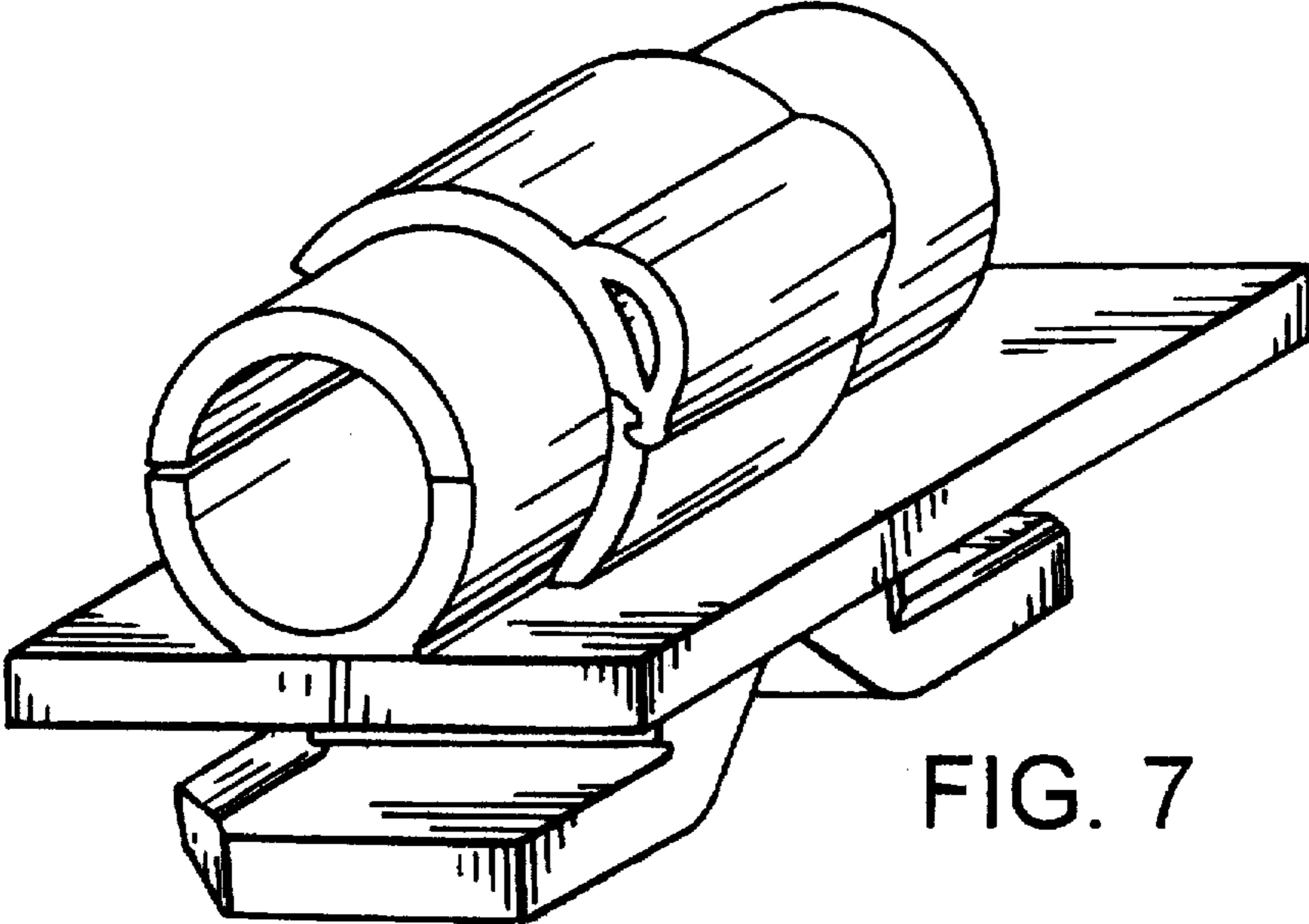


FIG. 7