



US00D386665S

United States Patent [19]

Doughty et al.

[11] Patent Number: Des. 386,665

[45] Date of Patent: **Nov. 25, 1997

[54] HANDLE

[75] Inventors: **Frederic C. Doughty**, S. Pasadena;
Darren M. Mark, Castaic, both of Calif.

[73] Assignee: **Emhart Inc.**, Newark, Del.

[**] Term: 14 Years

[21] Appl. No.: 44,301

[22] Filed: Sep. 22, 1995

[51] LOC (6) Cl. 08-06

[52] U.S. Cl. D8/307; D23/250

[58] Field of Search D8/300, 307, 310,
D8/312, 311; D23/250, 254; 116/110 R,
121

[56] References Cited

U.S. PATENT DOCUMENTS

| | | | | |
|------------|---------|-------------|-------|----------|
| D. 66,978 | 4/1925 | Martin | | D8/307 |
| D. 176,447 | 12/1955 | Cohen | . | |
| D. 265,233 | 6/1982 | Ronvik | | D8/310 X |
| D. 267,187 | 12/1982 | Ronvik | | D8/310 X |
| D. 276,838 | 12/1984 | Hill et al. | | D8/307 X |
| D. 279,403 | 6/1985 | Doman | | D8/312 X |
| D. 287,270 | 12/1986 | Yost | | D8/312 X |
| D. 292,731 | 11/1987 | Gomez | . | |
| D. 298,564 | 11/1988 | Paul | | D8/307 X |

| | | | | |
|------------|--------|--------------------|-------|----------|
| D. 300,652 | 4/1989 | Kohler, Jr. et al. | | D8/312 X |
| D. 306,552 | 3/1990 | Paul | | D8/301 |
| D. 328,559 | 8/1992 | Wilson | | D8/312 |
| 3,301,580 | 1/1967 | Greitzer | | 16/121 X |

OTHER PUBLICATIONS

Acme Hardware Co., Inc 1965 p. 63 top left.
National Brass Builders Hardware bottom right No. 734 p. 51.
Tmmco 1980, p. 50 bottom right No. 7409 p. 50.
Kwee-Ver 1965 p.28 top left.

Primary Examiner—Paula A. Mortimer
Attorney, Agent, or Firm—J. Bruce Hoofnagle

[57] CLAIM

The ornamental design for handle, as shown and described.

DESCRIPTION

FIG. 1 is a front perspective view of a handle showing our new design;
FIG. 2 is a top plan view thereof;
FIG. 3 is a rear elevational view thereof, the front elevational view is a mirror image;
FIG. 4 is a right side elevational view thereof, the left side is a mirror image;
FIG. 5 is a bottom plan view thereof; and,
FIG. 6 is a cross-sectional view taken in the direction of line 6—6 of FIG. 1.

1 Claim, 3 Drawing Sheets

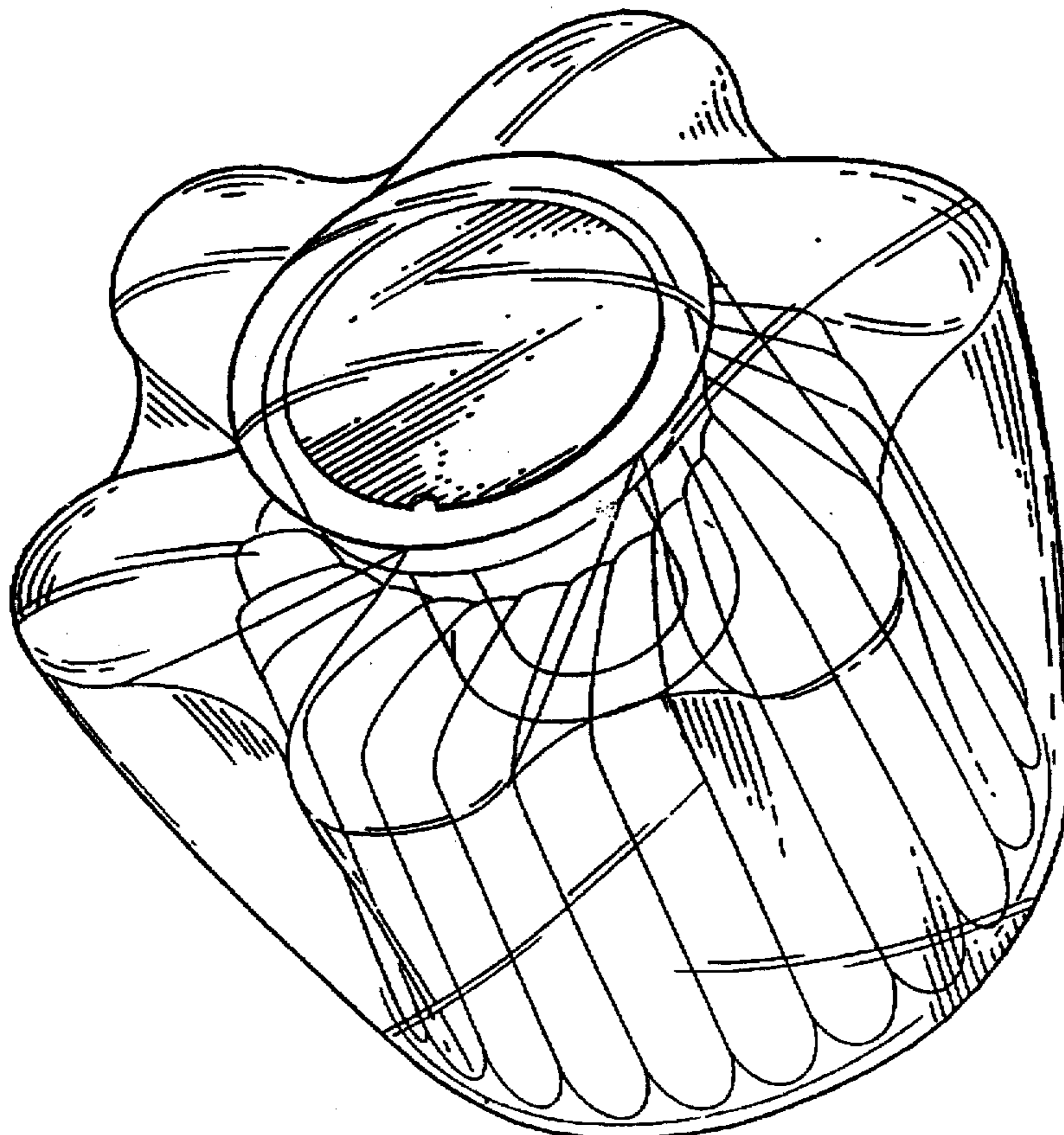


FIG. 1

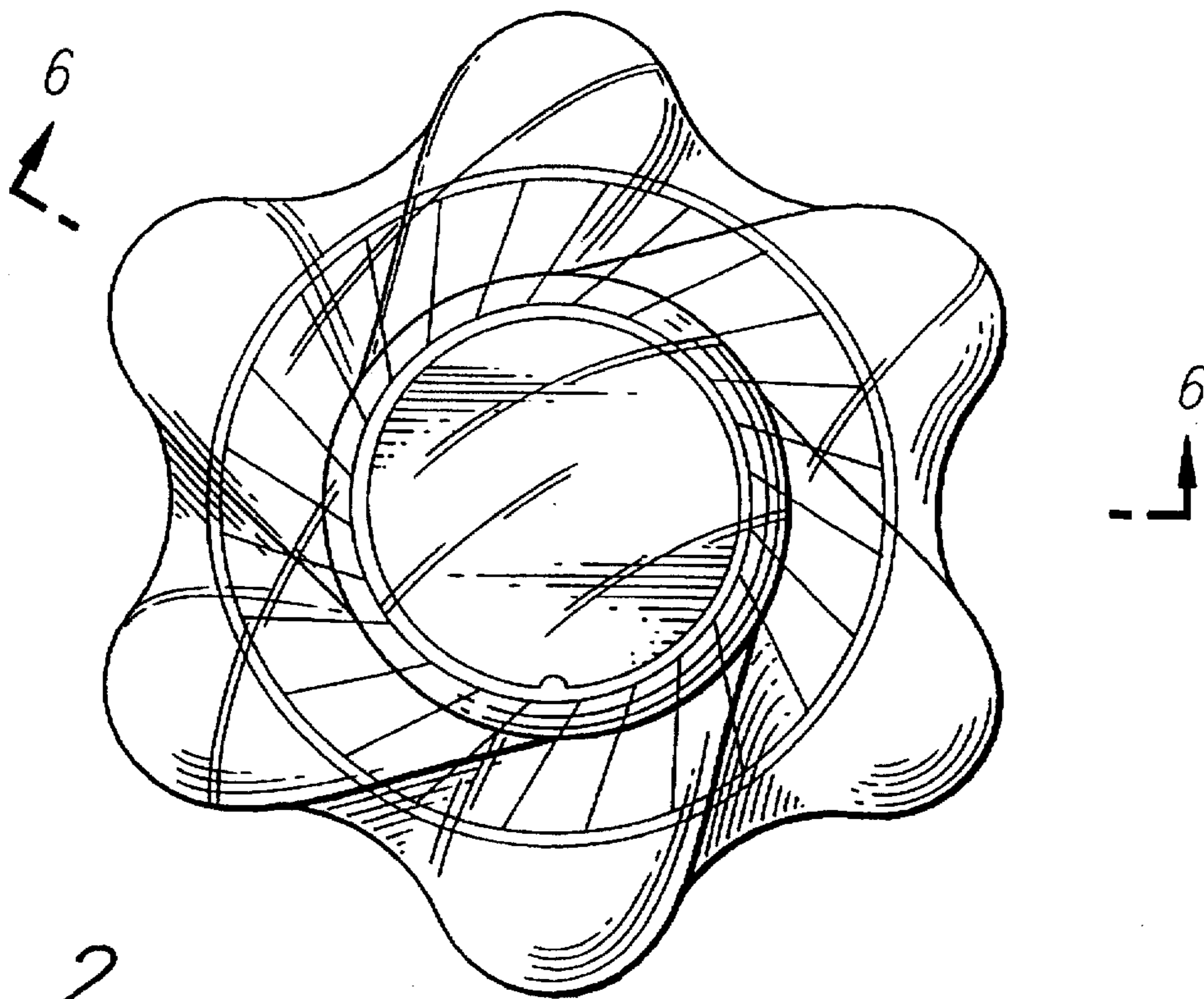
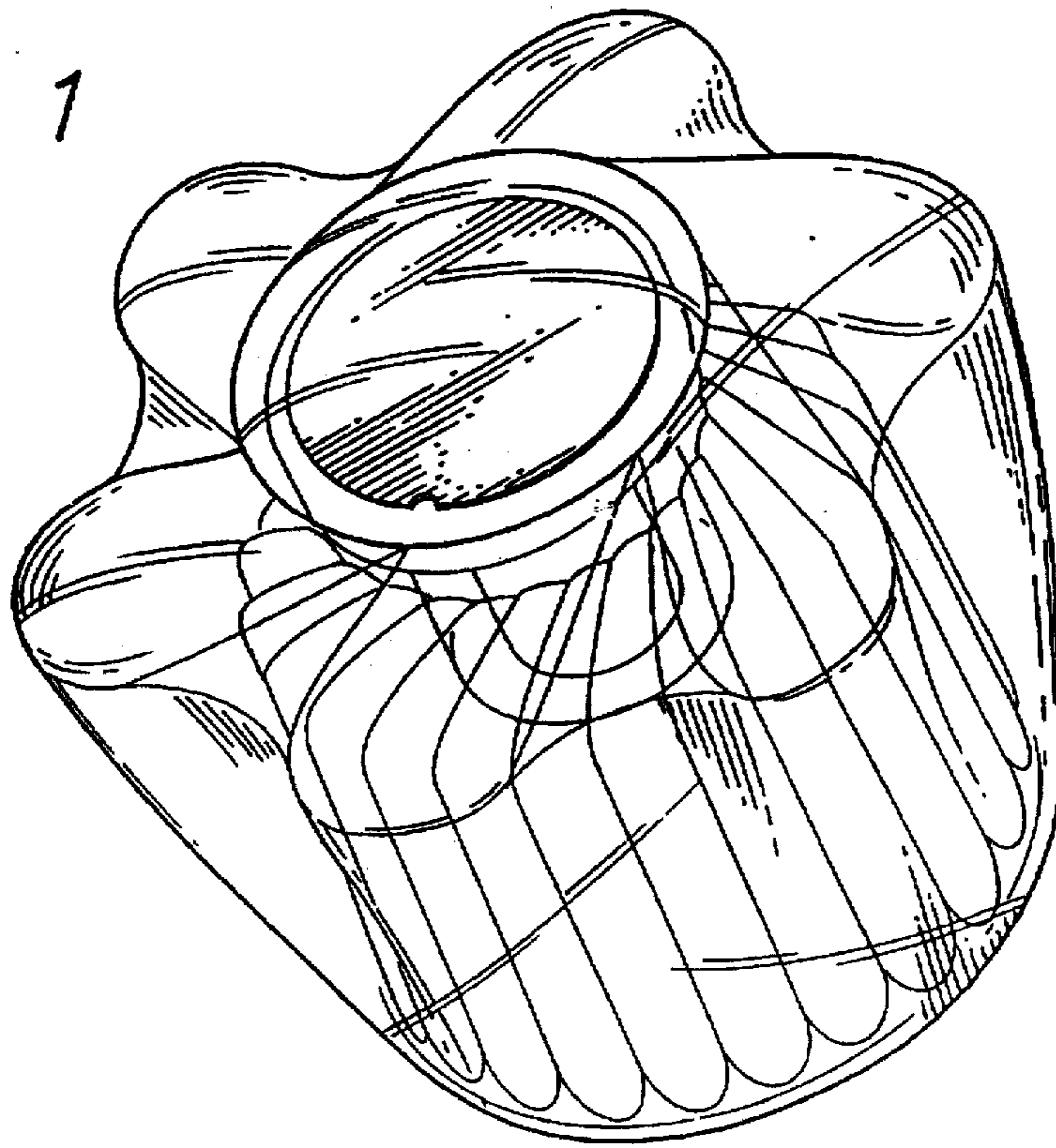


FIG. 2

FIG. 3

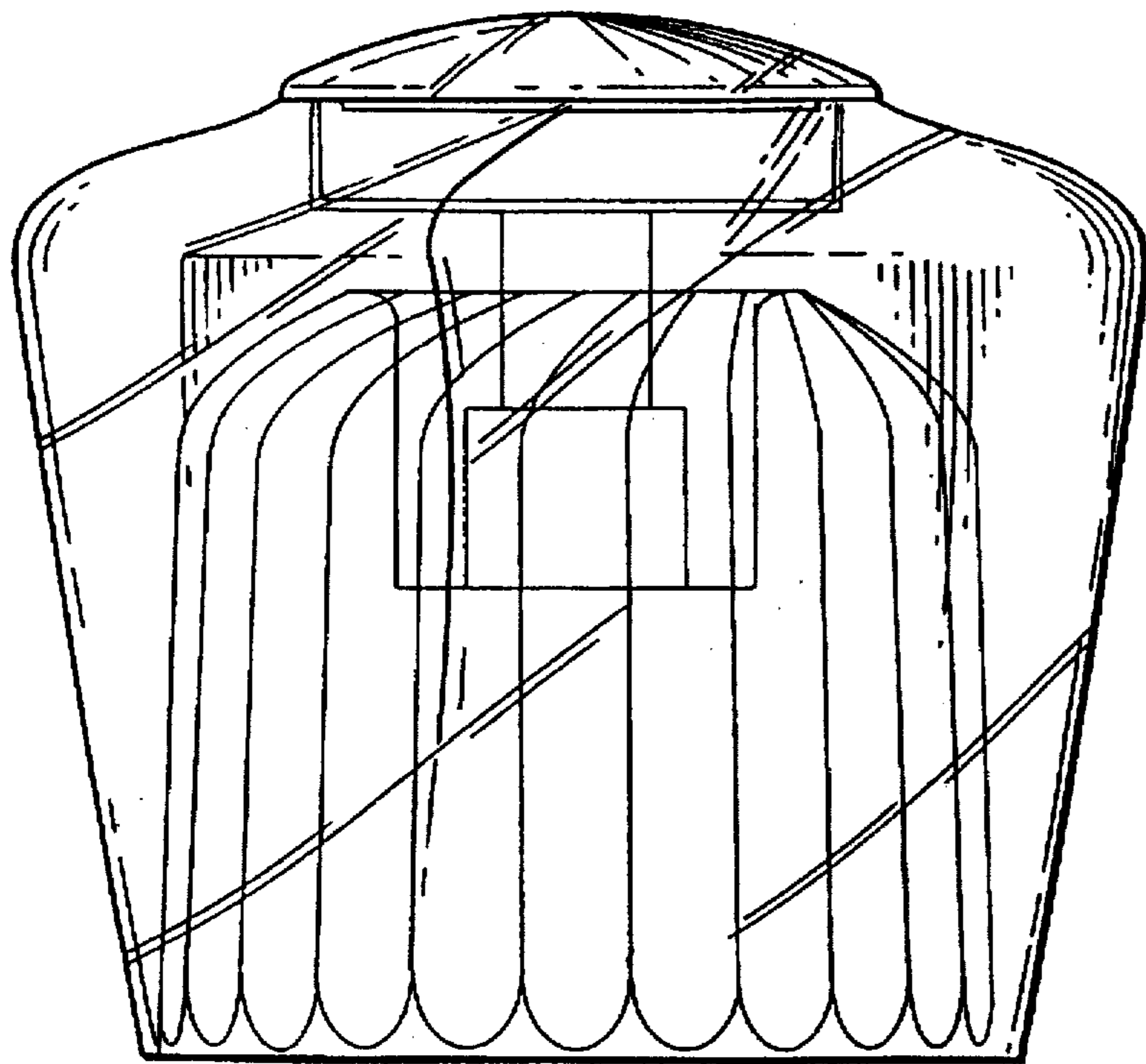
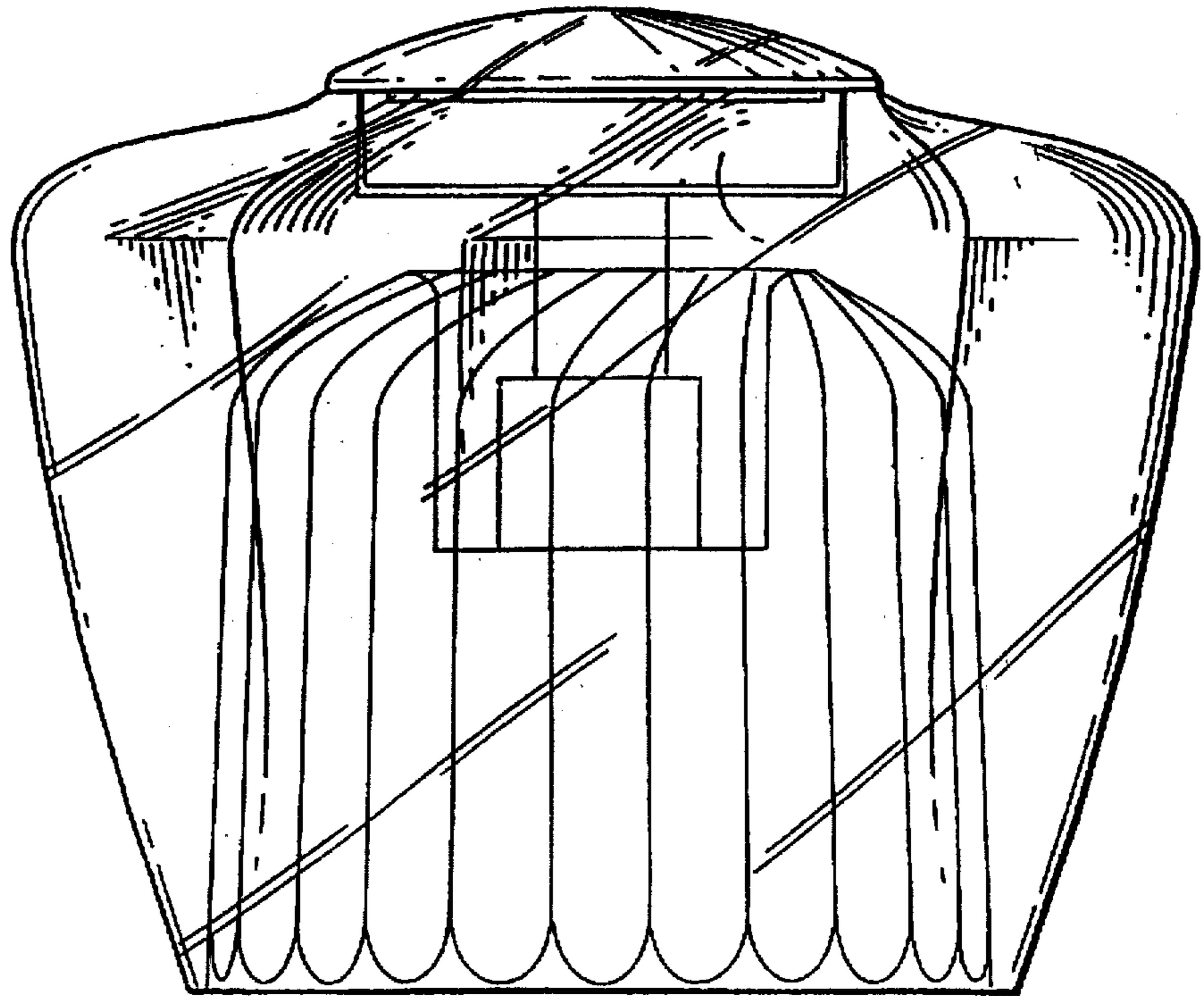


FIG. 4

FIG. 5

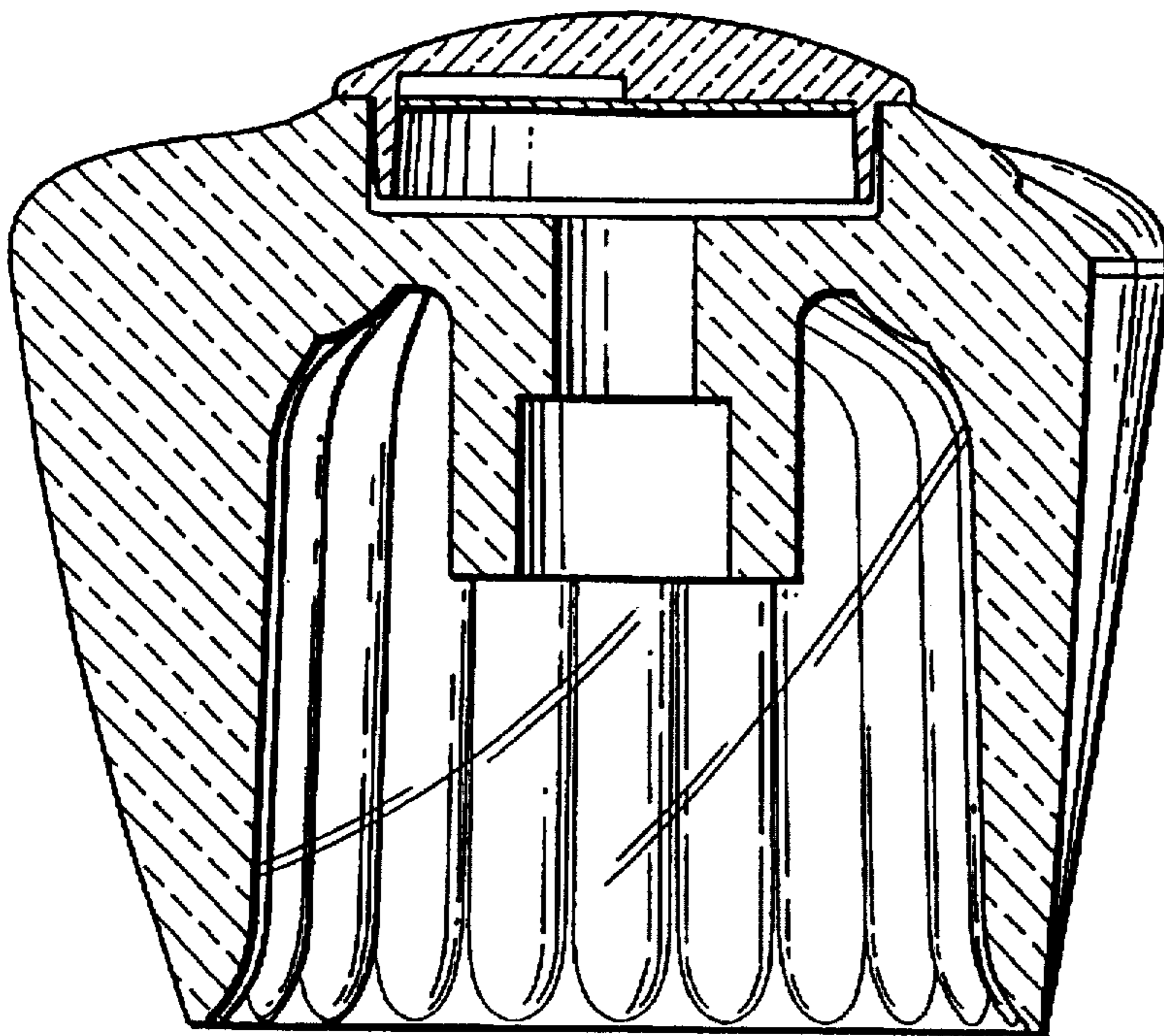
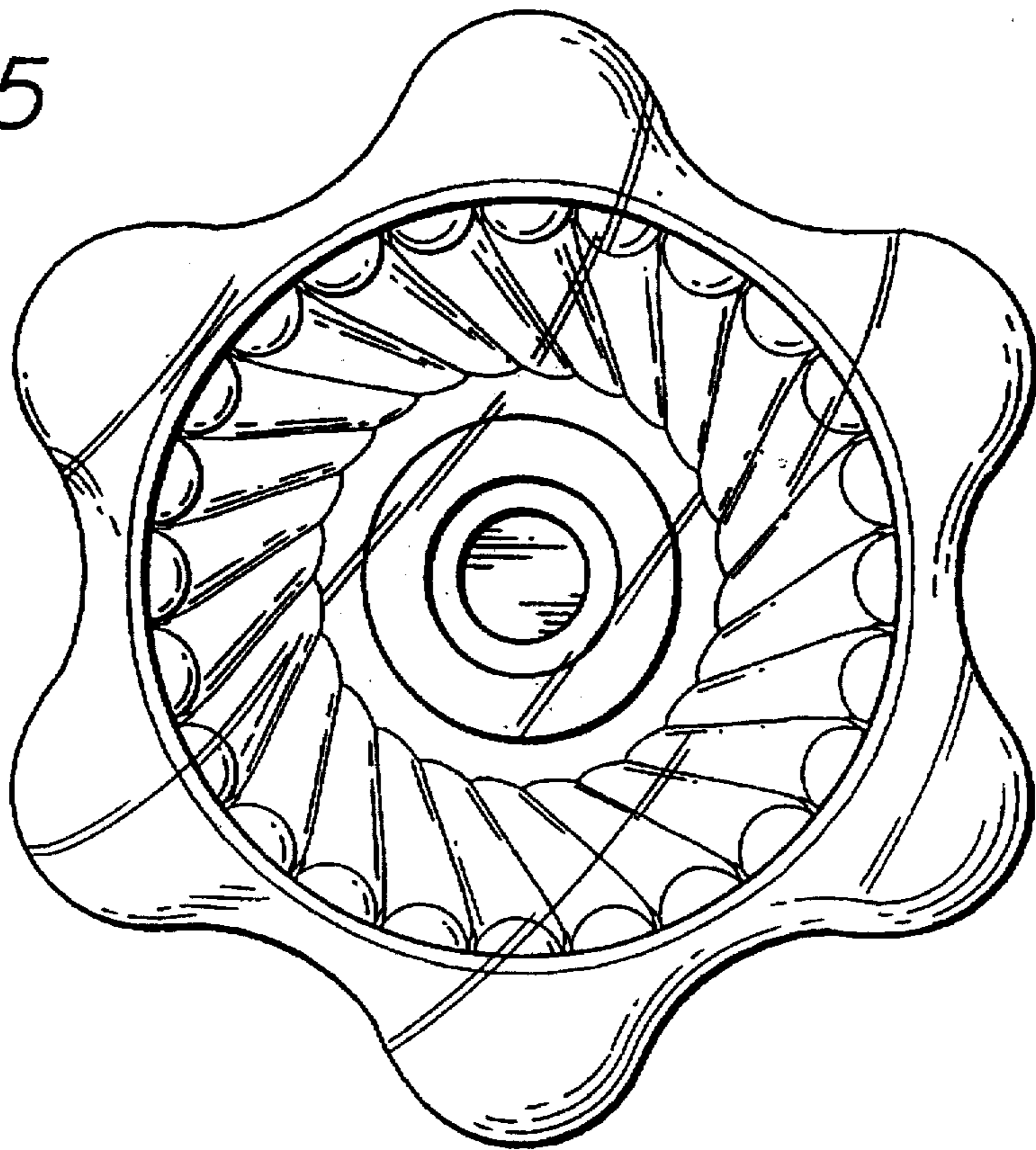


FIG. 6