



US00D386663S

United States Patent [19]

Kehres et al.

[11] Patent Number: **Des. 386,663**

[45] Date of Patent: ****Nov. 25, 1997**

[54] **VINYL SIDING CUTTER**

[76] Inventors: **Gregory L. Kehres**, R.R.1, Box 356A;
Harry R. Delaney, R.R. 1, Box 382E,
both of Northumberland, Pa. 17857

[**] Term: **14 Years**

[21] Appl. No.: **58,964**

[22] Filed: **Aug. 29, 1996**

[51] LOC (6) Cl. **08-05**

[52] U.S. Cl. **D8/51**

[58] Field of Search D8/51, 98; 83/607,
83/608, 609, 584, 558

[56] **References Cited**

U.S. PATENT DOCUMENTS

D. 363,013	10/1995	Hunter	D8/98
2,254,374	9/1941	Laukhuff	83/607
3,792,636	2/1974	Pottern	83/607

4,494,430 1/1985 Bautista et al. 83/607

5,044,243 9/1991 Aizawa 83/607

5,249,495 10/1993 Renk 83/607

Primary Examiner—Philip S. Hyder

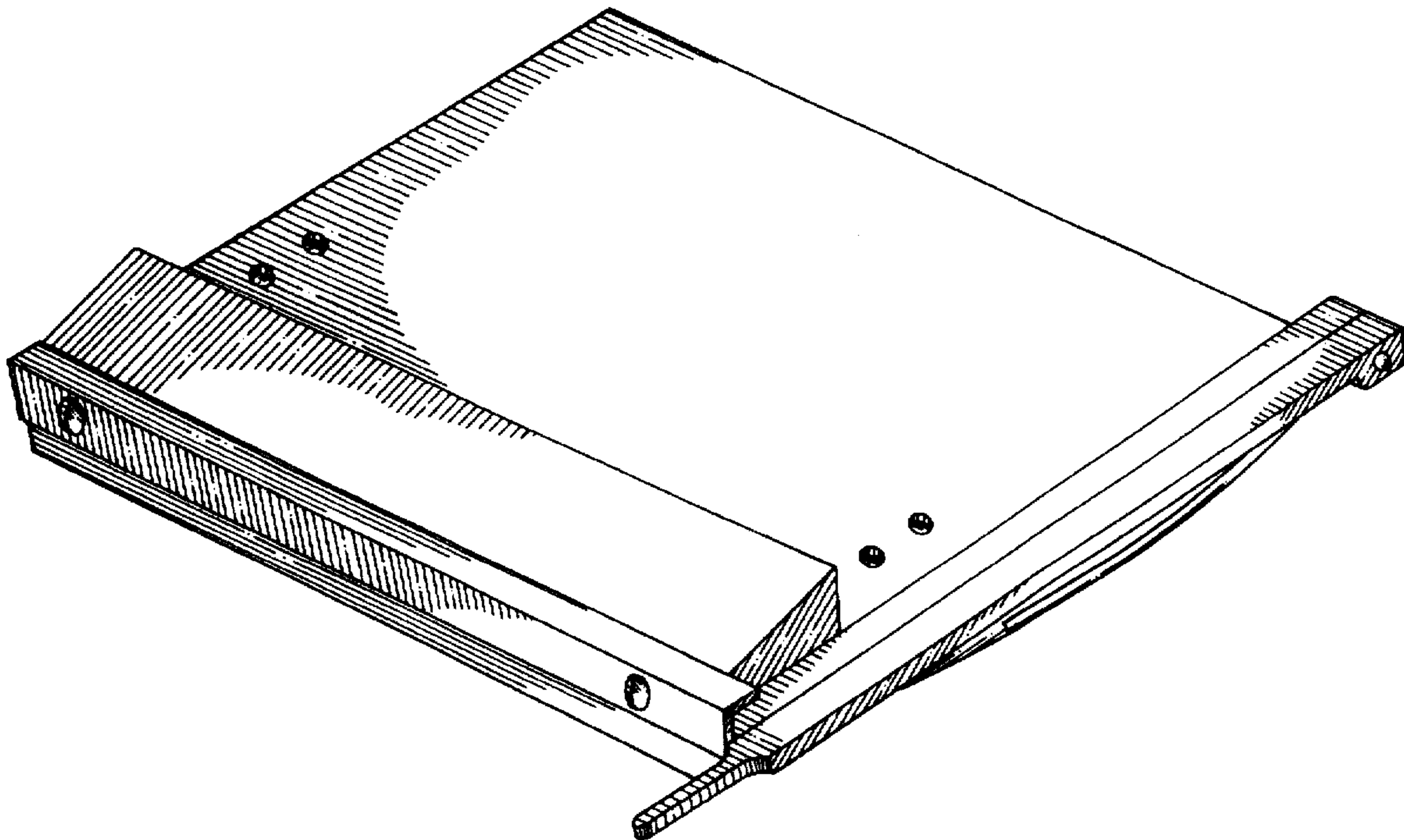
[57] **CLAIM**

The ornamental design for a vinyl siding cutter, as shown and described.

DESCRIPTION

FIG. 1 is an isometric view of the vinyl siding cutter showing our new design;
FIG. 2 is a top plan view thereof;
FIG. 3 is a bottom plan view thereof;
FIG. 4 is a right side view thereof;
FIG. 5 is a left side view thereof;
FIG. 6 is a front elevational view thereof; and,
FIG. 7 is a rear elevational view thereof.

1 Claim, 4 Drawing Sheets



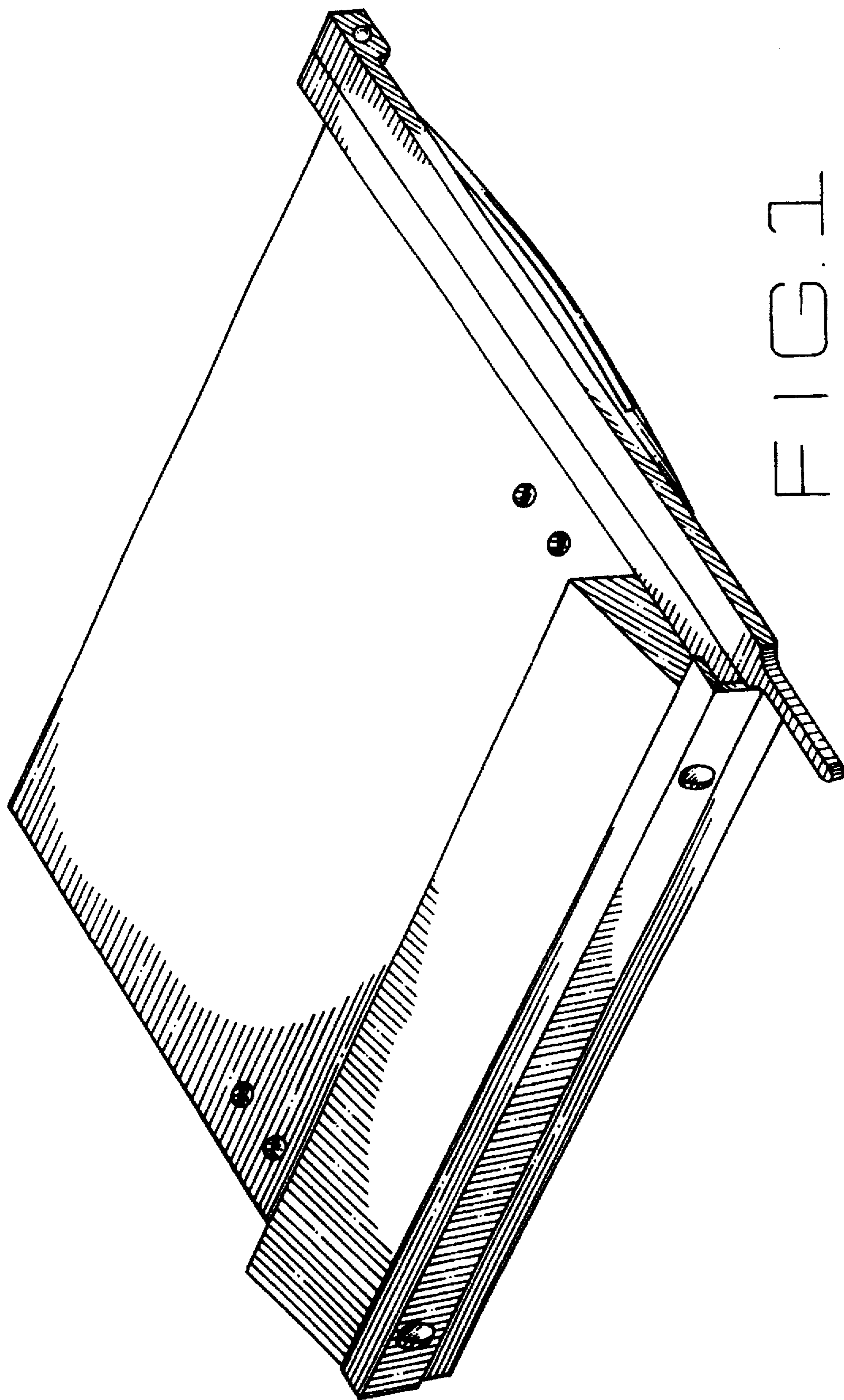


FIG. 1

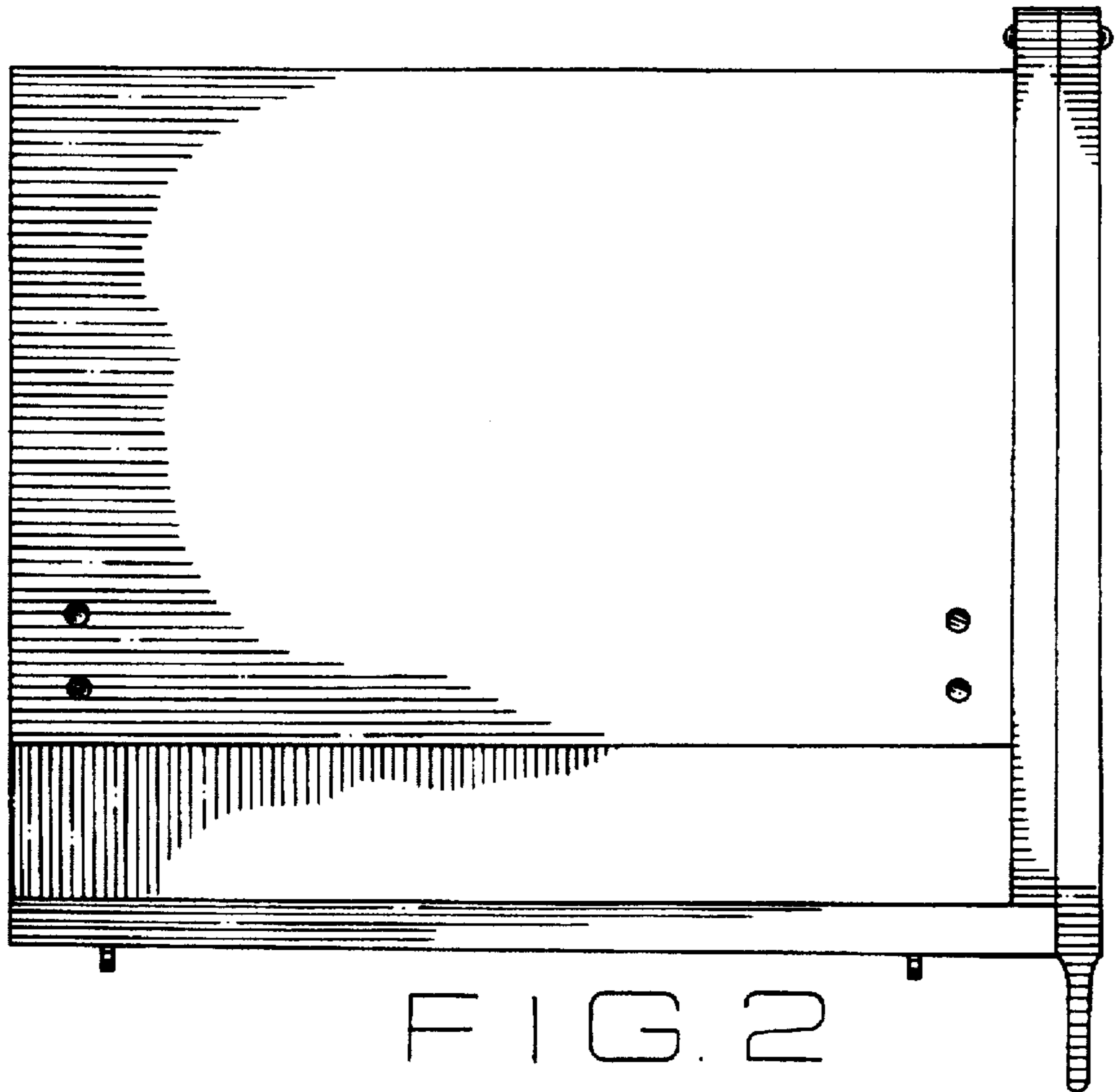


FIG. 2

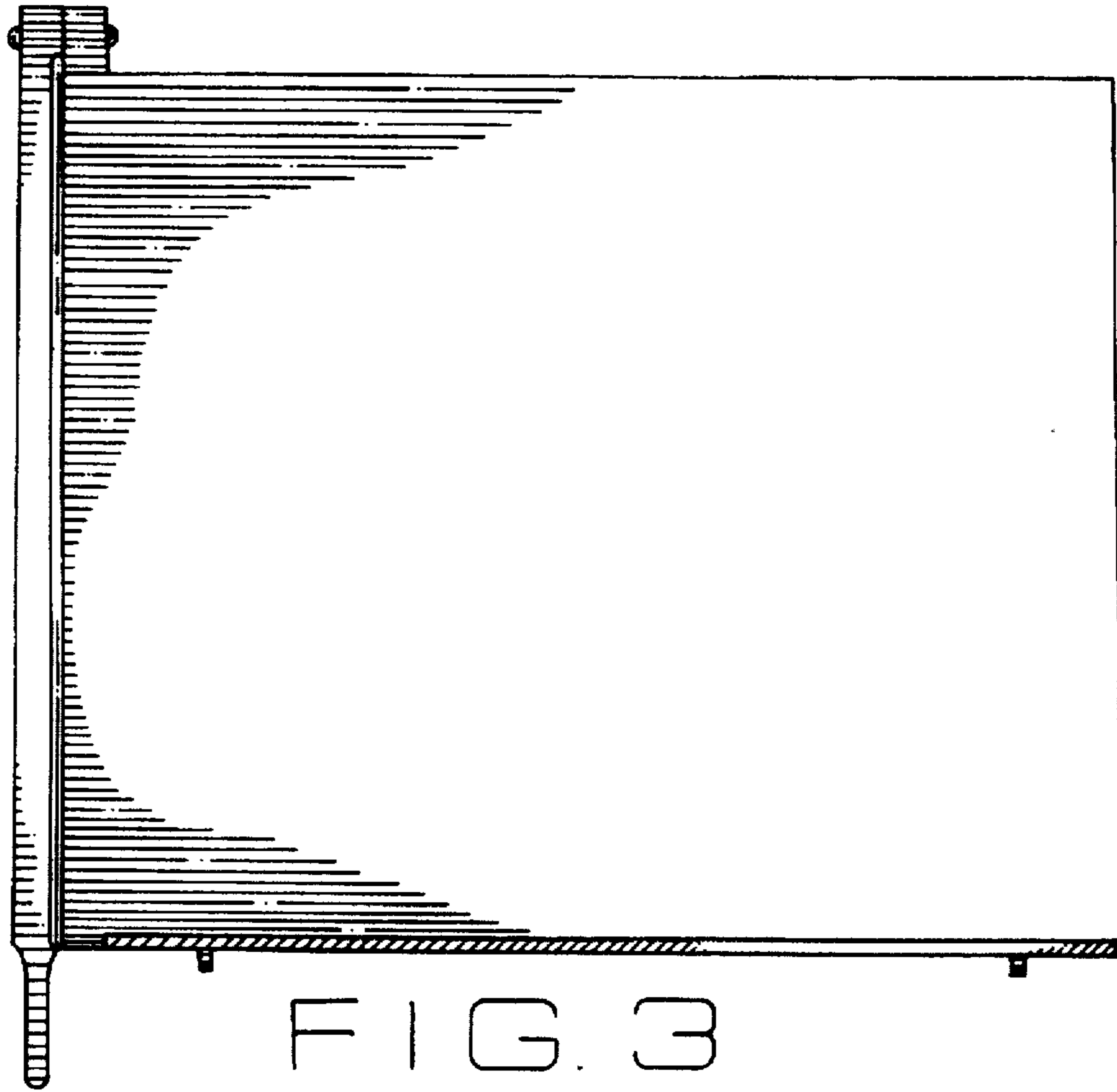


FIG. 3

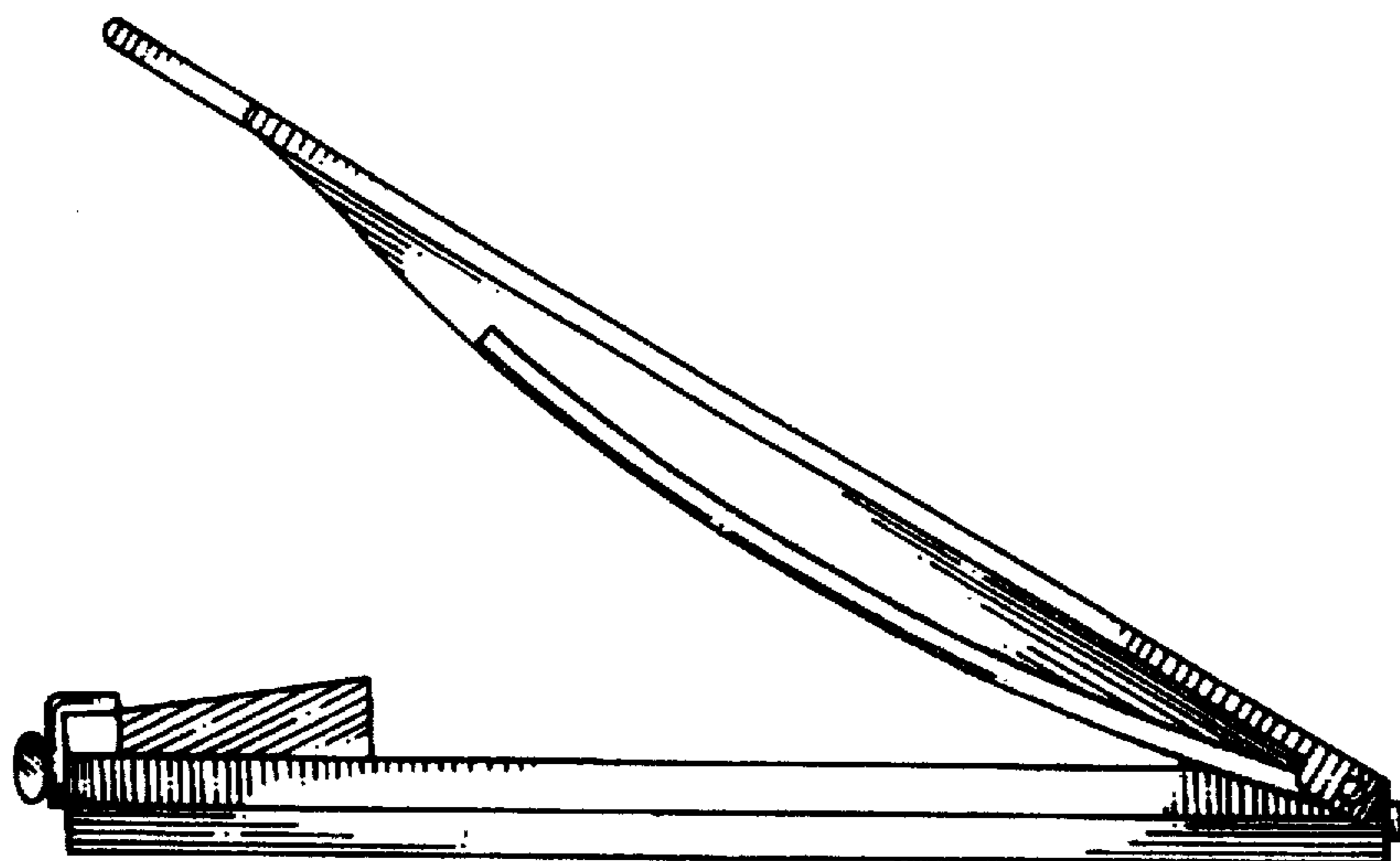


FIG. 4

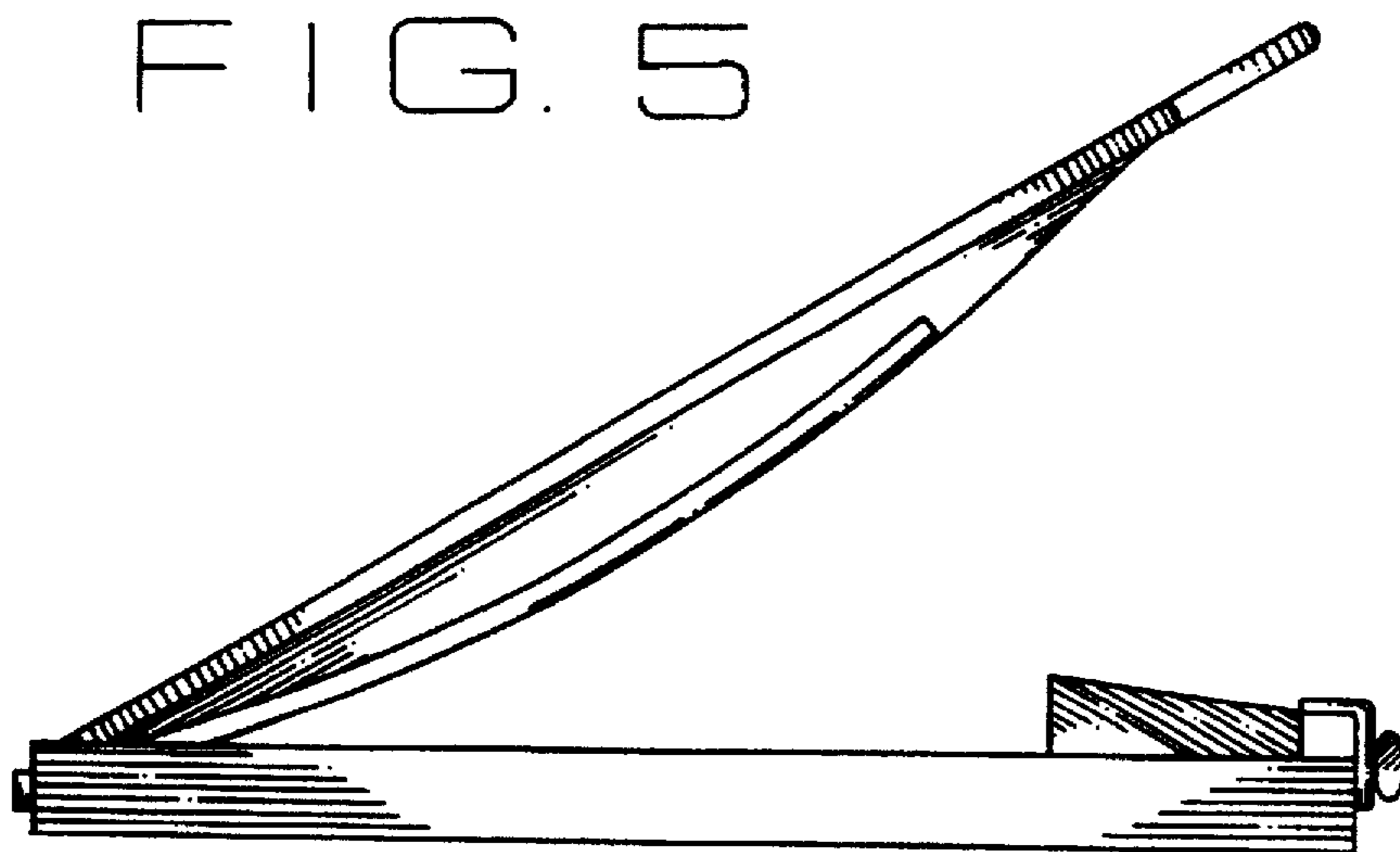


FIG. 5

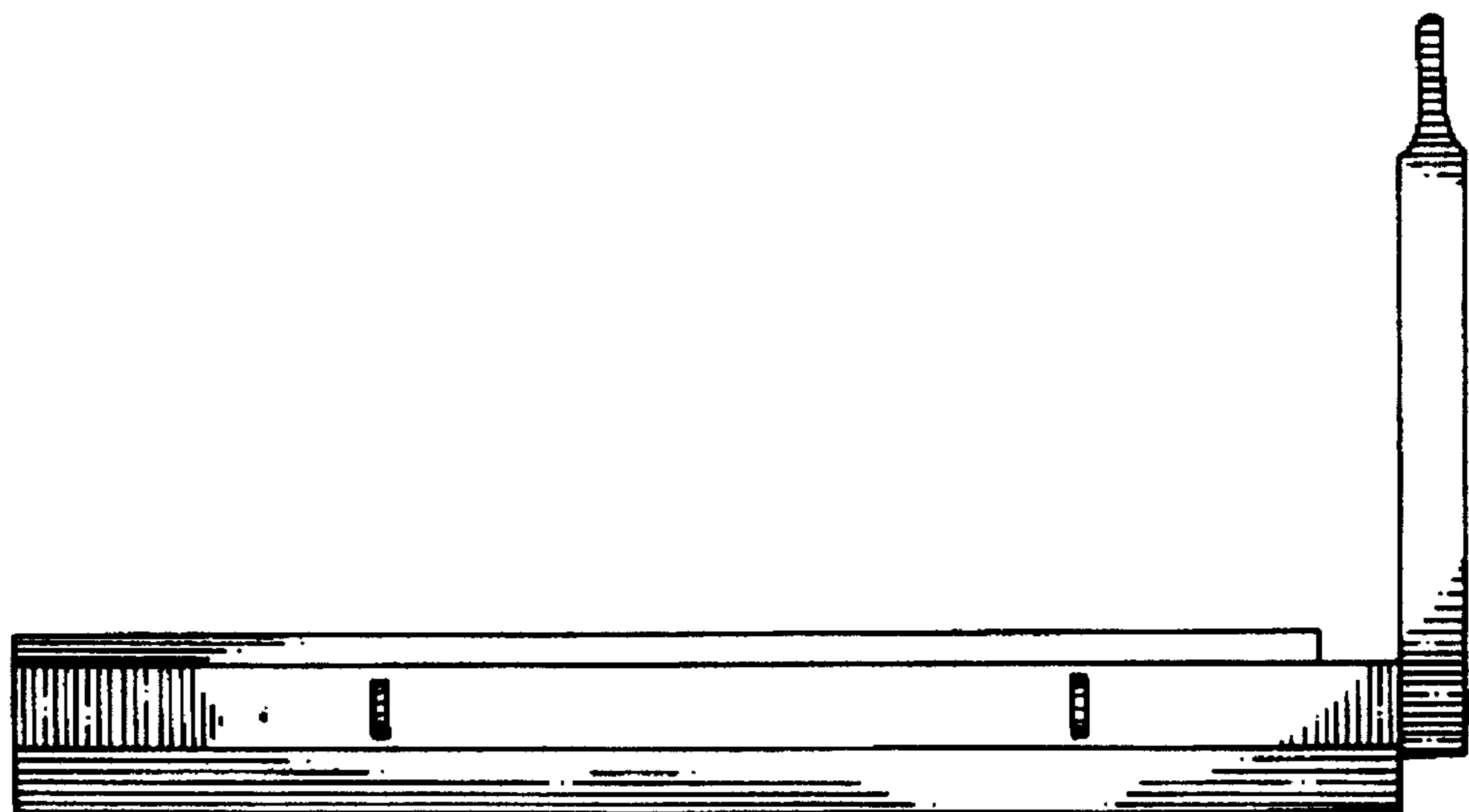


FIG. 6

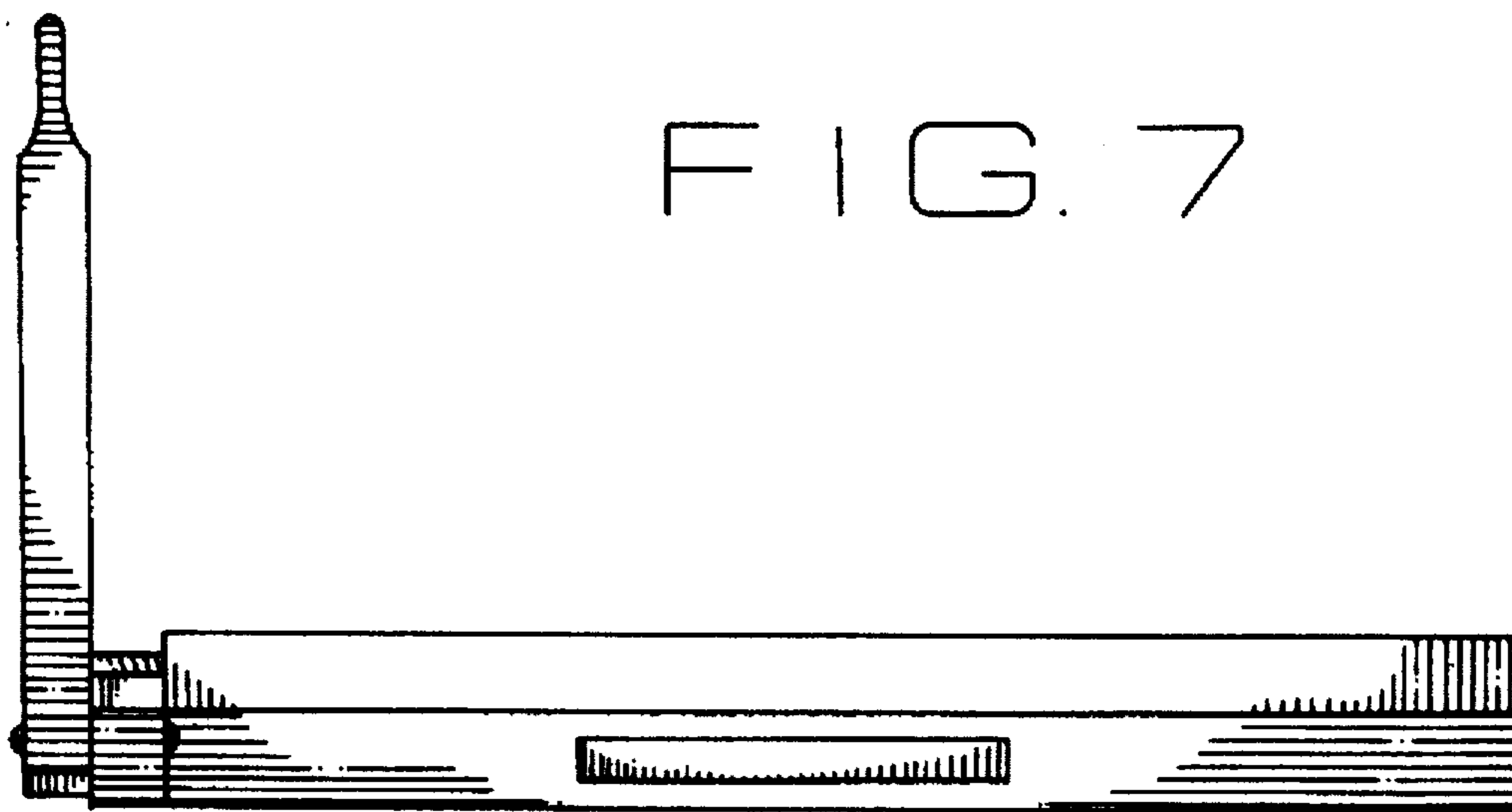


FIG. 7