



US00D386662S

# United States Patent [19]

Tozawa et al.

[11] Patent Number: Des. 386,662

[45] Date of Patent: \*\*Nov. 25, 1997

## [54] PORTABLE ELECTRIC SCREWDRIVER

[75] Inventors: **Katsumi Tozawa; Naohiro Hayakawa; Norifumi Niwa; Hiroshi Fujimoto**, all of Anjo, Japan

[73] Assignee: **Makita Corporation**, Anjo, Japan

[\*\*] Term: **14 Years**

[21] Appl. No.: **56,979**

[22] Filed: **Jul. 12, 1996**

### [30] Foreign Application Priority Data

Jan. 16, 1996	[JP]	Japan	.....	8-755
Jun. 19, 1996	[JP]	Japan	.....	8-18349
Jun. 19, 1996	[JP]	Japan	.....	8-18350

[51] LOC (6) Cl. .... **08-04**

[52] U.S. Cl. .... **D8/68**

[58] Field of Search ..... D8/68; 81/54, 81/57, 57.11, 57.13, 57.14, 57.37, 57.43, 60; 173/48, 90, 91, 93, 96, 170, 216, 217; 408/124, 125

### [56] References Cited

#### U.S. PATENT DOCUMENTS

D. 296,655	7/1988	Yonezawa et al.	.....	D8/68
D. 320,917	10/1991	Fushiya et al.	.....	D8/68
D. 340,394	10/1993	Okumura	.....	D8/68
D. 345,090	3/1994	Okumura	.....	D8/68
D. 359,215	6/1995	Zurwelle	.....	D8/68
D. 360,814	8/1995	Kimata	.....	D8/68
D. 362,167	9/1995	Zurwelle	.....	D8/68
5,360,073	11/1994	Akazawa	.....	173/217 X
5,524,512	6/1996	Wolfe	.....	81/57.14 X

## FOREIGN PATENT DOCUMENTS

894180 12/1993 Japan .

Primary Examiner—Antoine Duval Davis  
Attorney, Agent, or Firm—Lahive & Cockfield, LLP

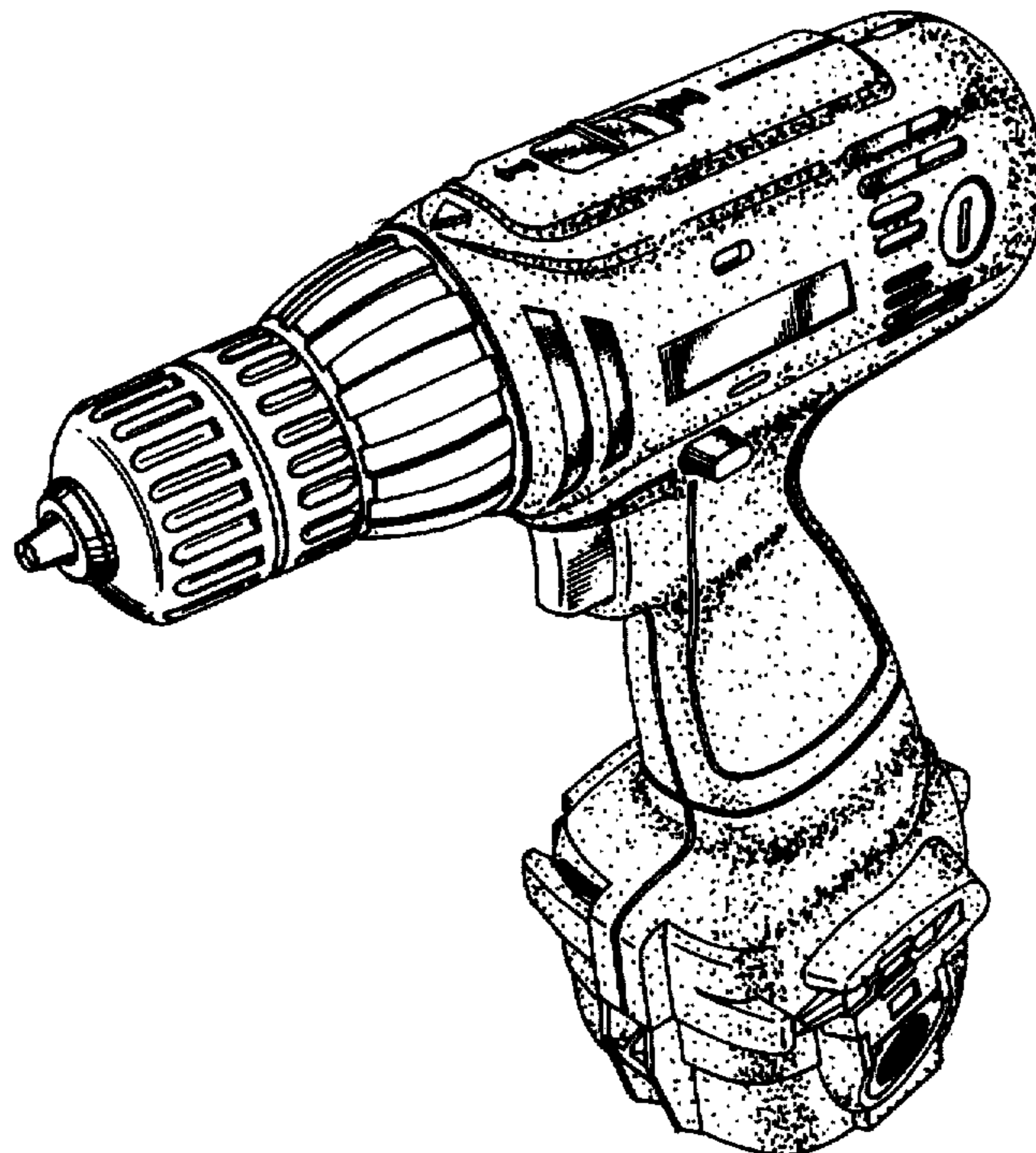
### [57] CLAIM

The ornamental design for a portable electric screwdriver, as shown and described.

### DESCRIPTION

FIG. 1 is a perspective view of a portable electric screwdriver showing my new design;  
 FIG. 2 is a right side elevational view thereof;  
 FIG. 3 is a left side elevational view thereof;  
 FIG. 4 is a front elevational view thereof;  
 FIG. 5 is a rear elevational view thereof;  
 FIG. 6 is top plan view thereof;  
 FIG. 7 is bottom plan view thereof;  
 FIG. 8 is a perspective view of a second embodiment of a portable electric screwdriver showing my new design;  
 FIG. 9 is a right side elevational view thereof;  
 FIG. 10 is a left side elevational view thereof;  
 FIG. 11 is a front elevational view thereof;  
 FIG. 12 is a rear elevational view thereof;  
 FIG. 13 is top plan view thereof;  
 FIG. 14 is bottom plan view thereof;  
 FIG. 15 is a perspective view of a third embodiment of a portable electric screwdriver showing my new design;  
 FIG. 16 is a right side elevational view thereof;  
 FIG. 17 is a left side elevational view thereof;  
 FIG. 18 is a front elevational view thereof;  
 FIG. 19 is a rear elevational view thereof;  
 FIG. 20 is top plan view thereof; and,  
 FIG. 21 is bottom plan view thereof.

1 Claim, 15 Drawing Sheets



*FIG. 1*

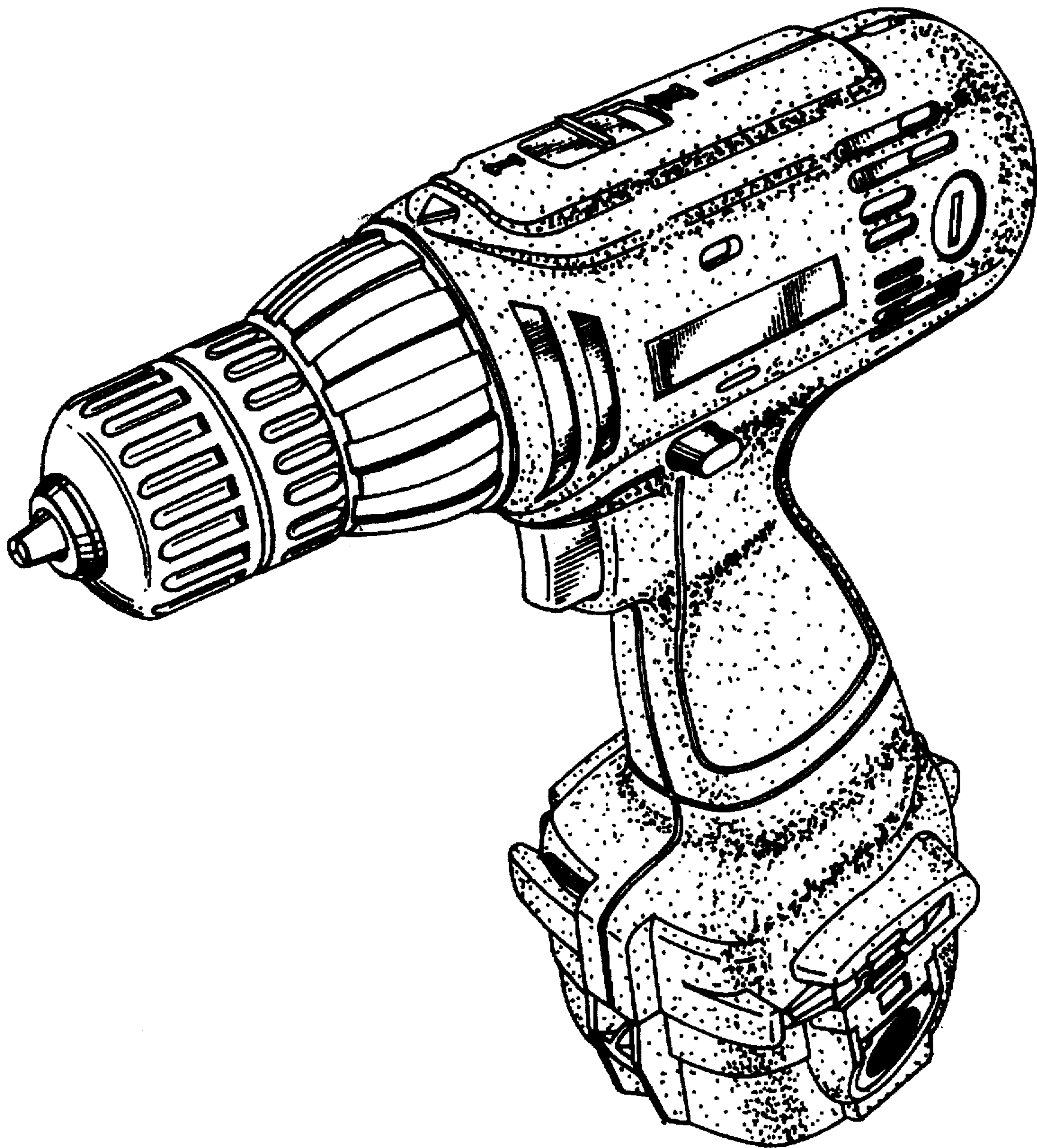




FIG. 2

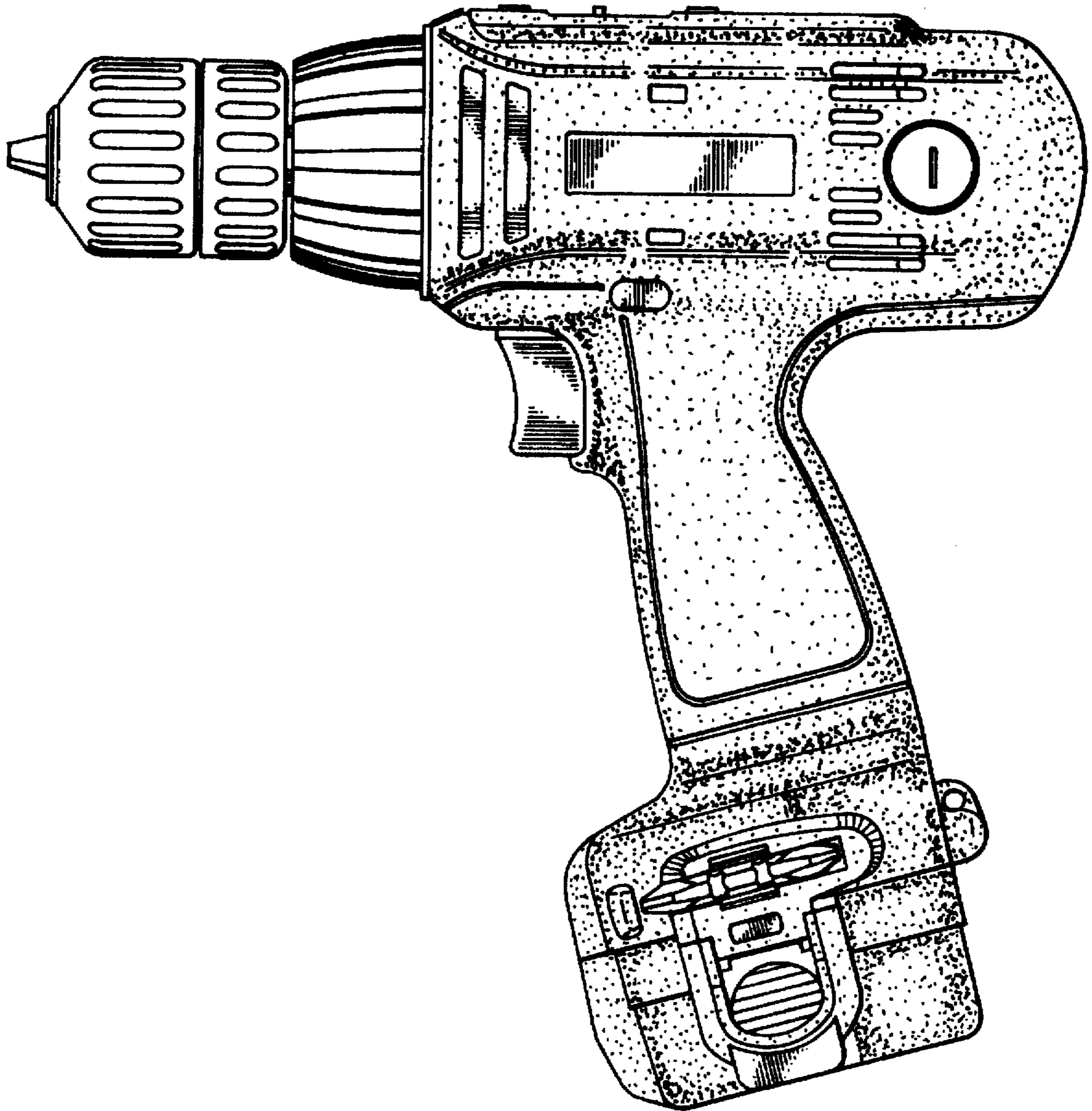


FIG. 3

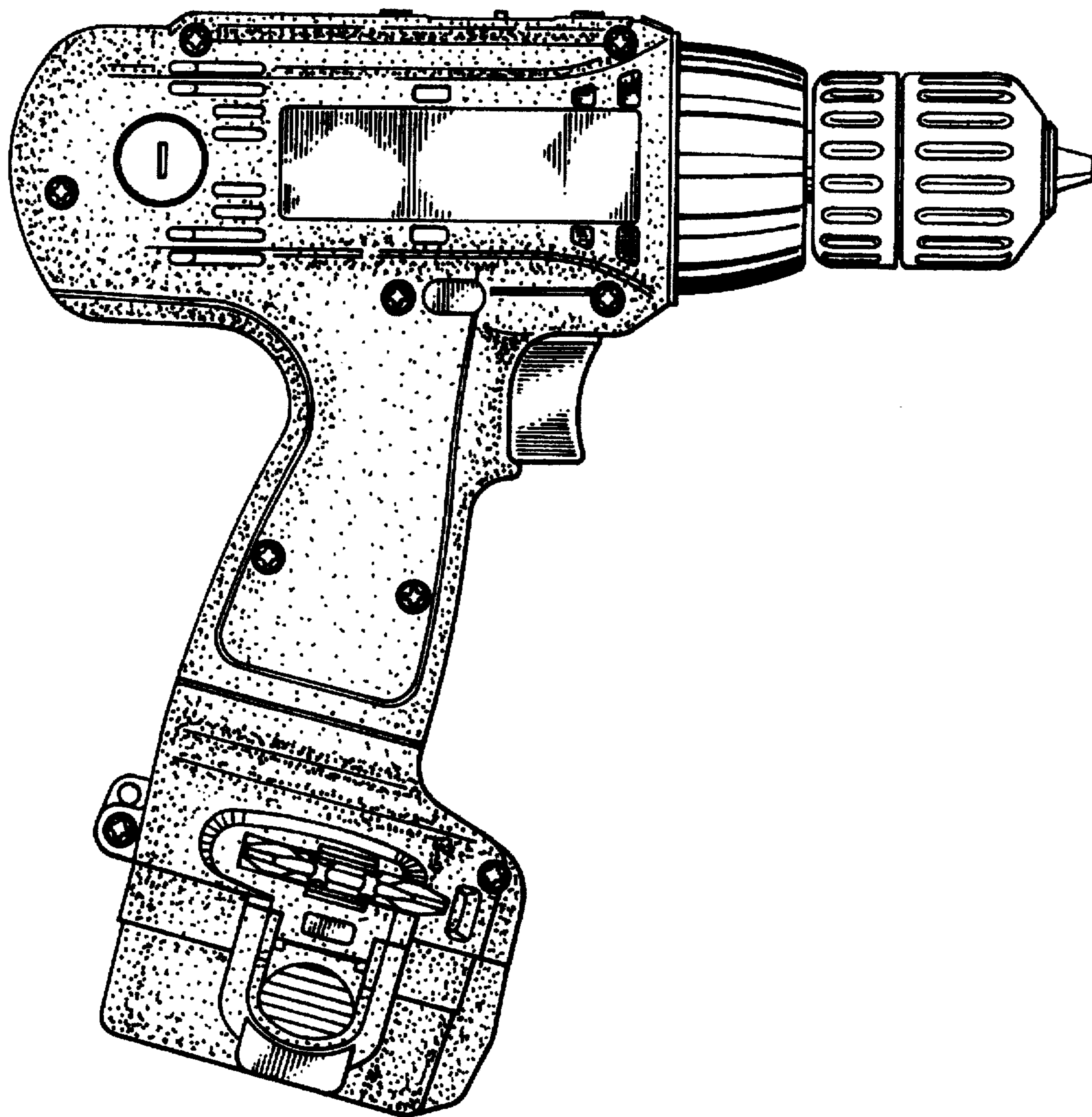


FIG. 4

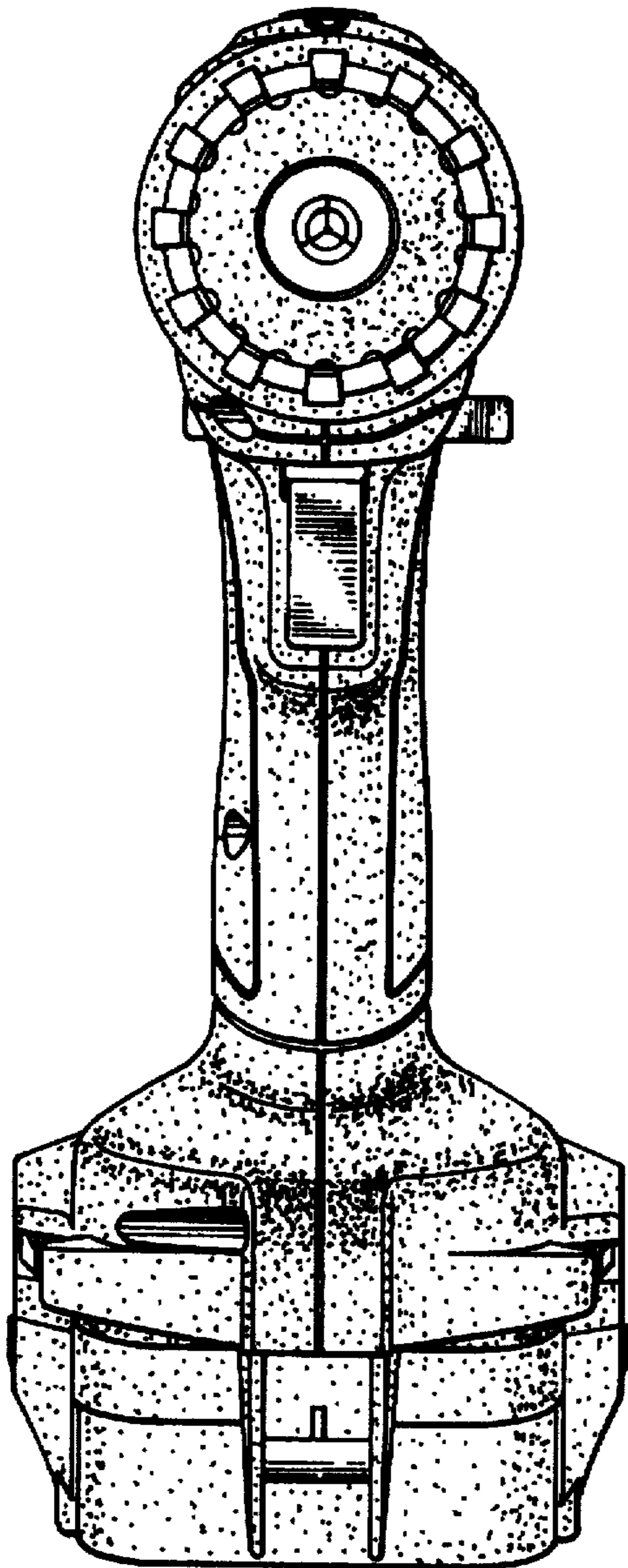


FIG. 5

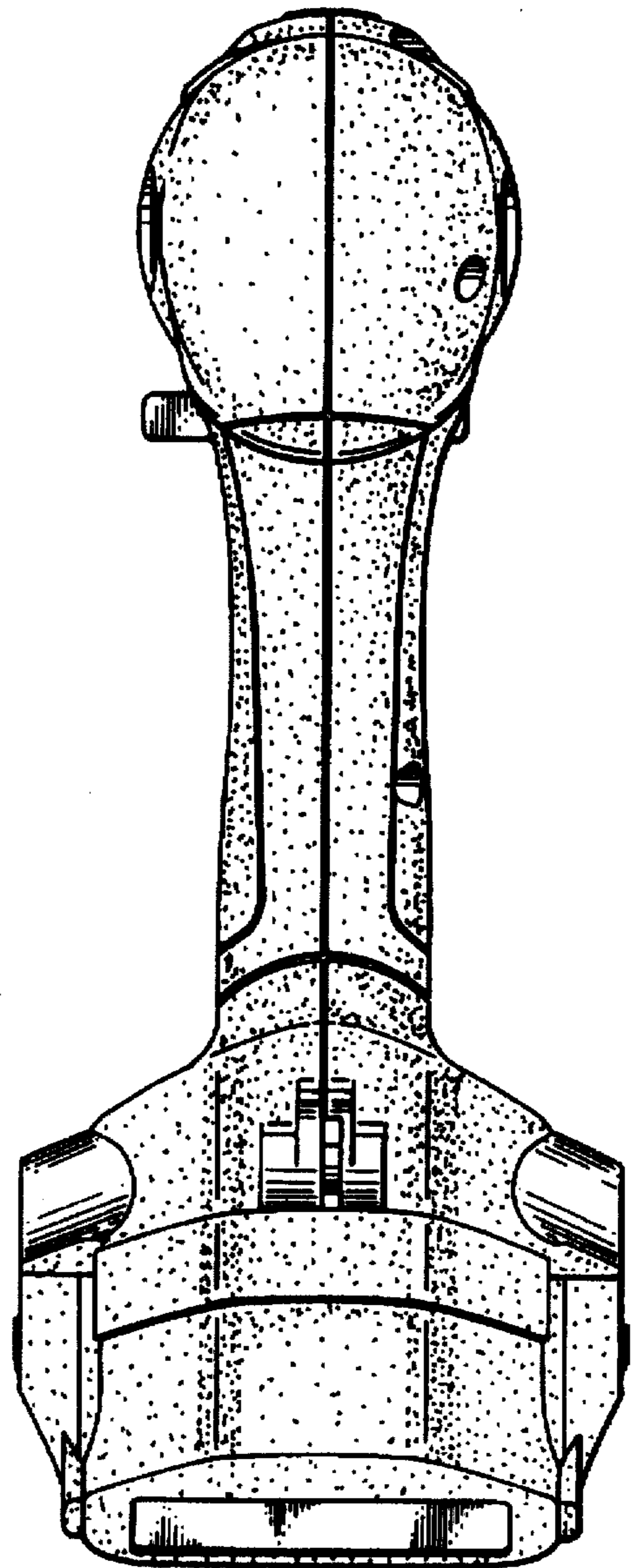




FIG. 6

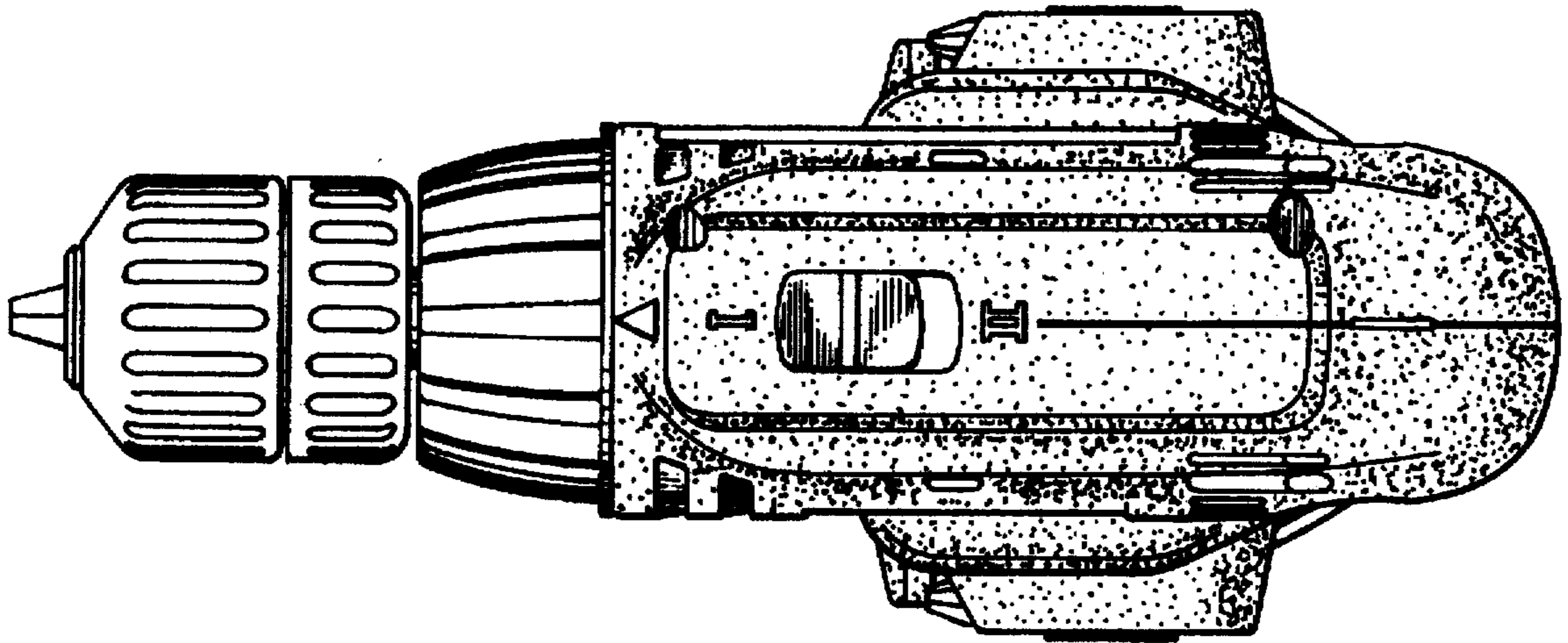


FIG. 7

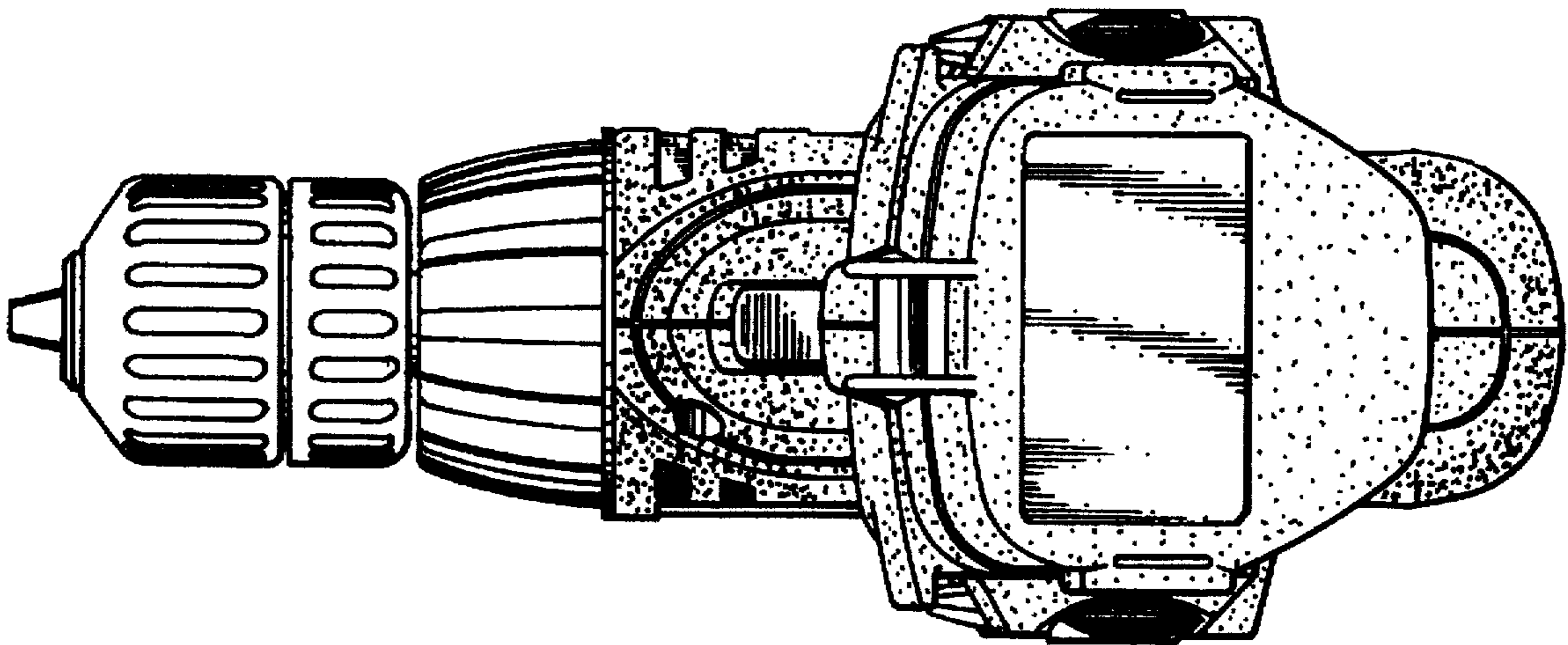


FIG. 8

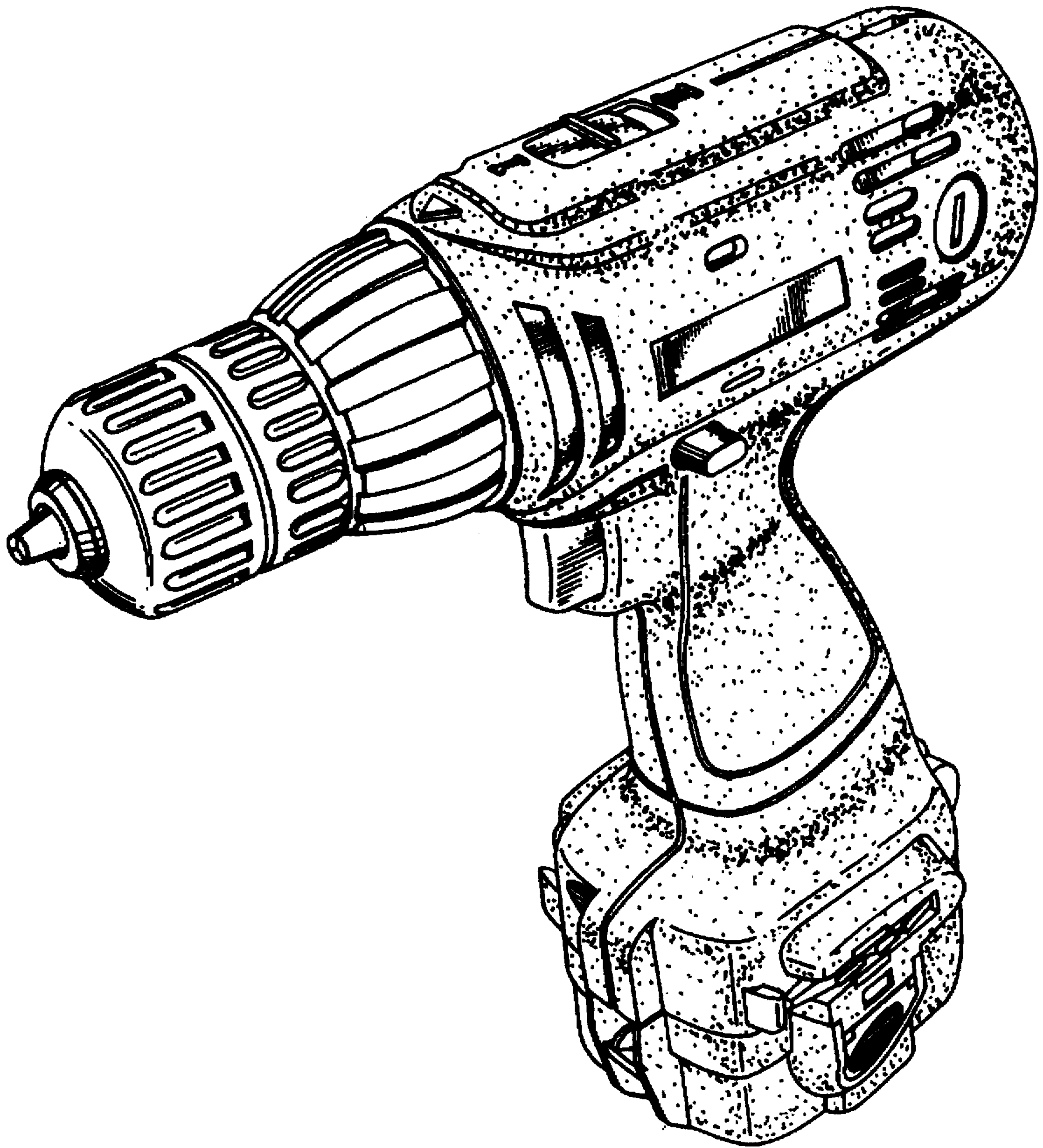


FIG. 9

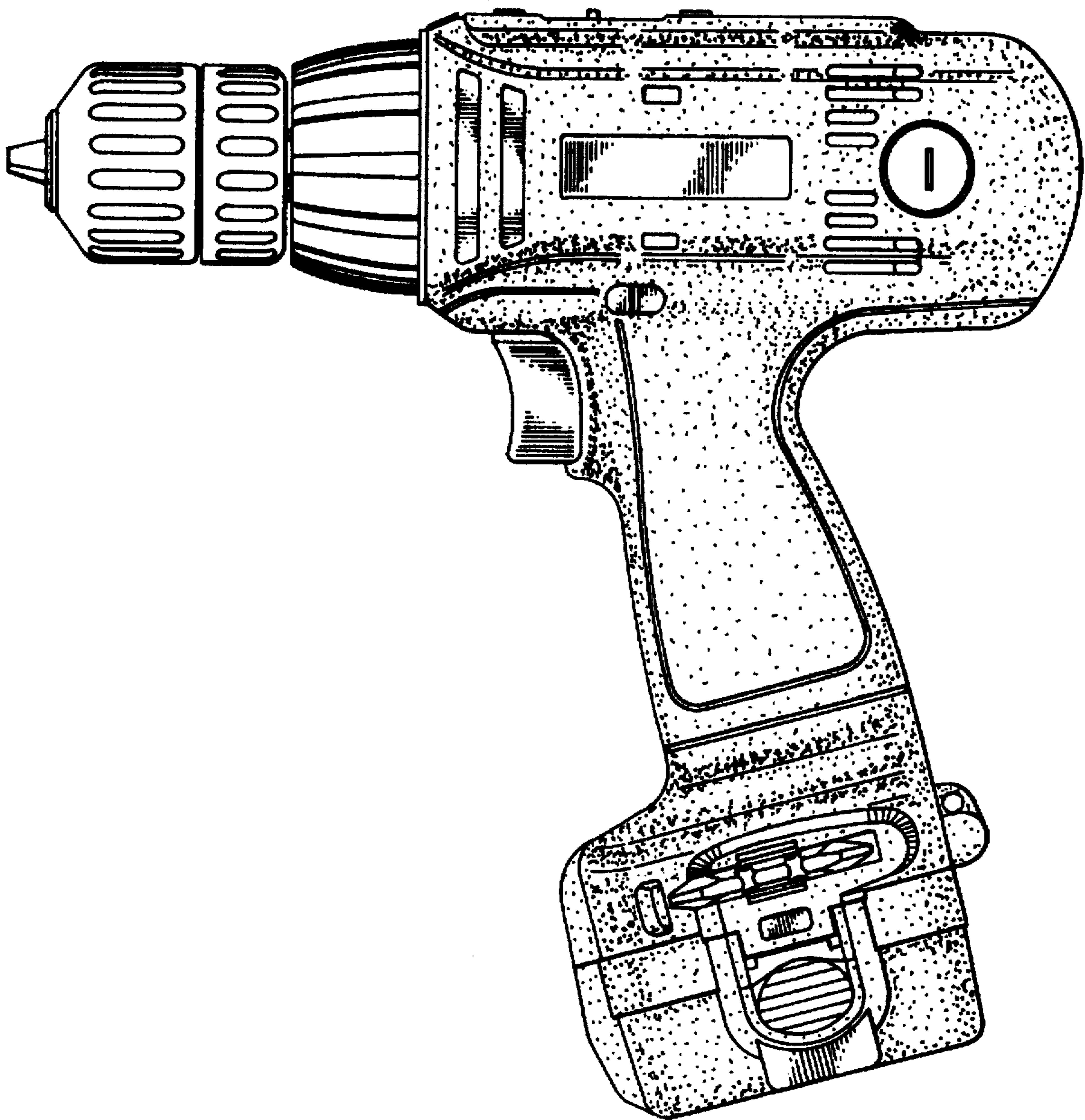




FIG. 10

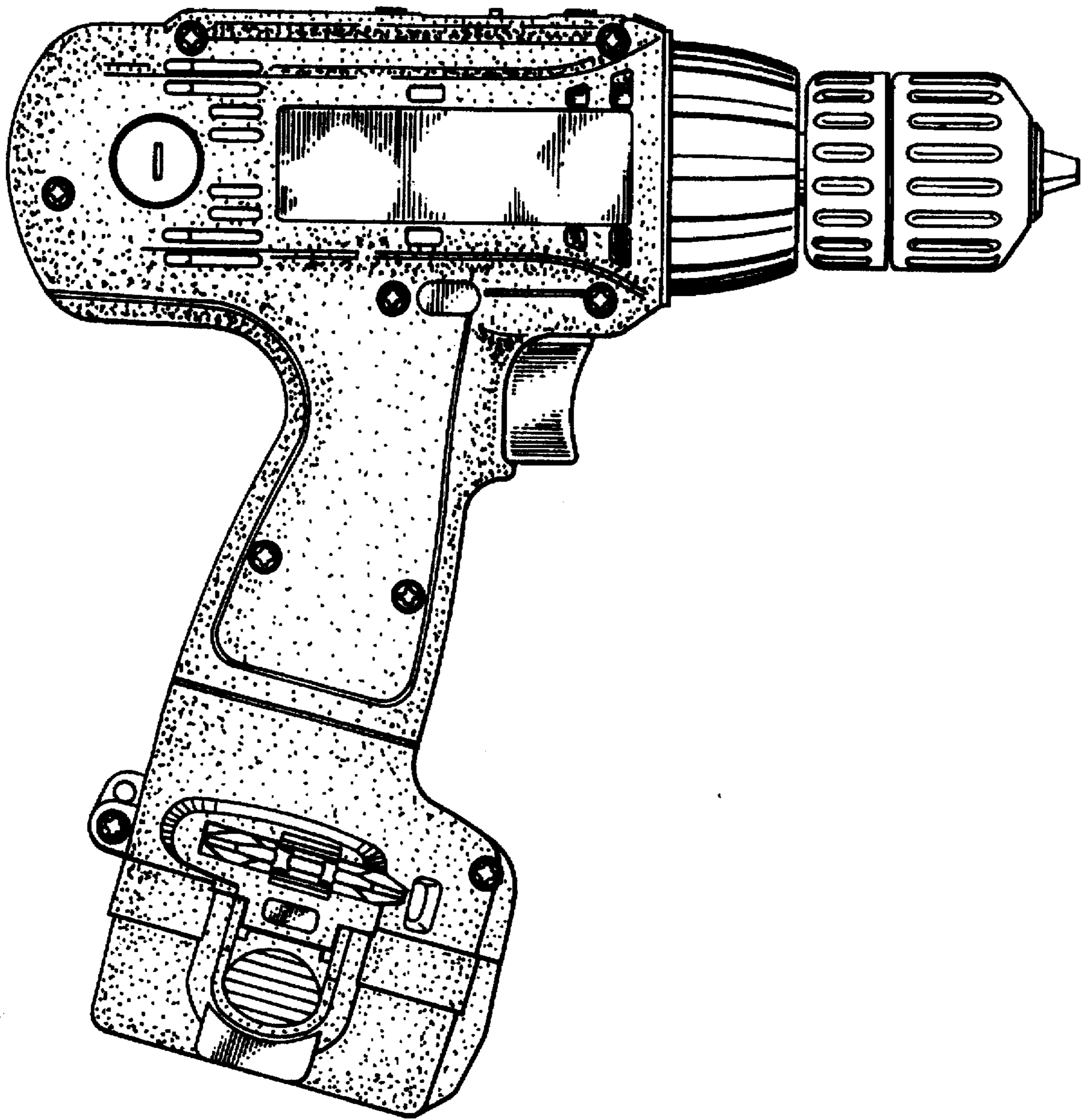


FIG. 11

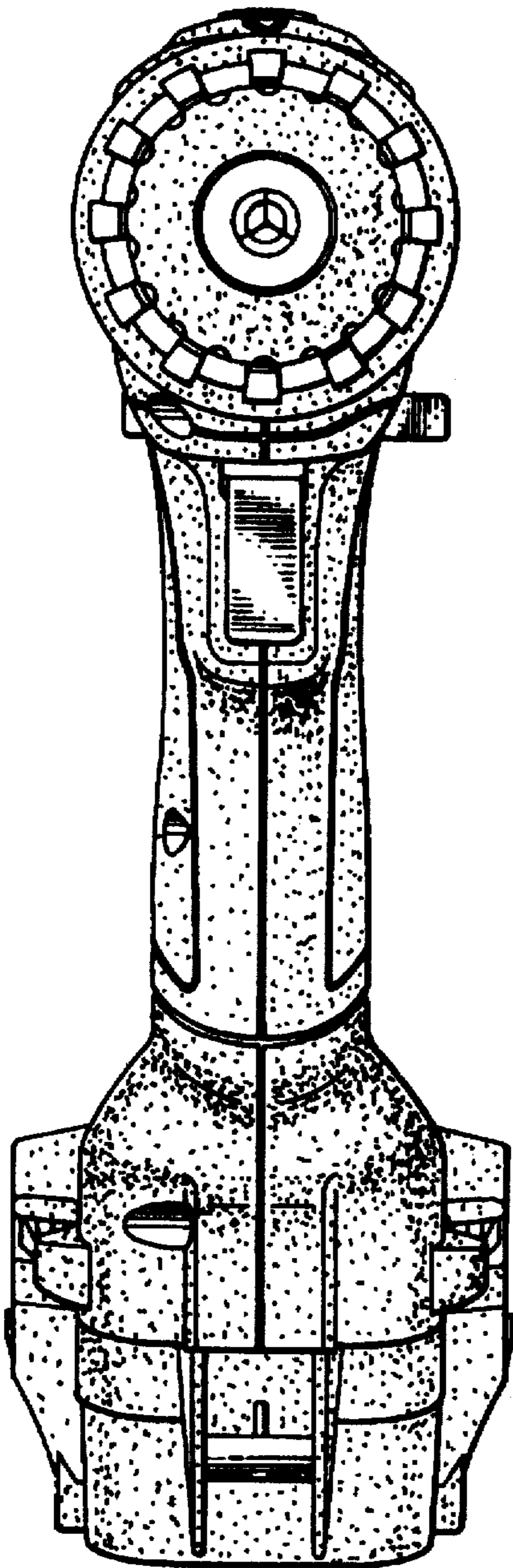
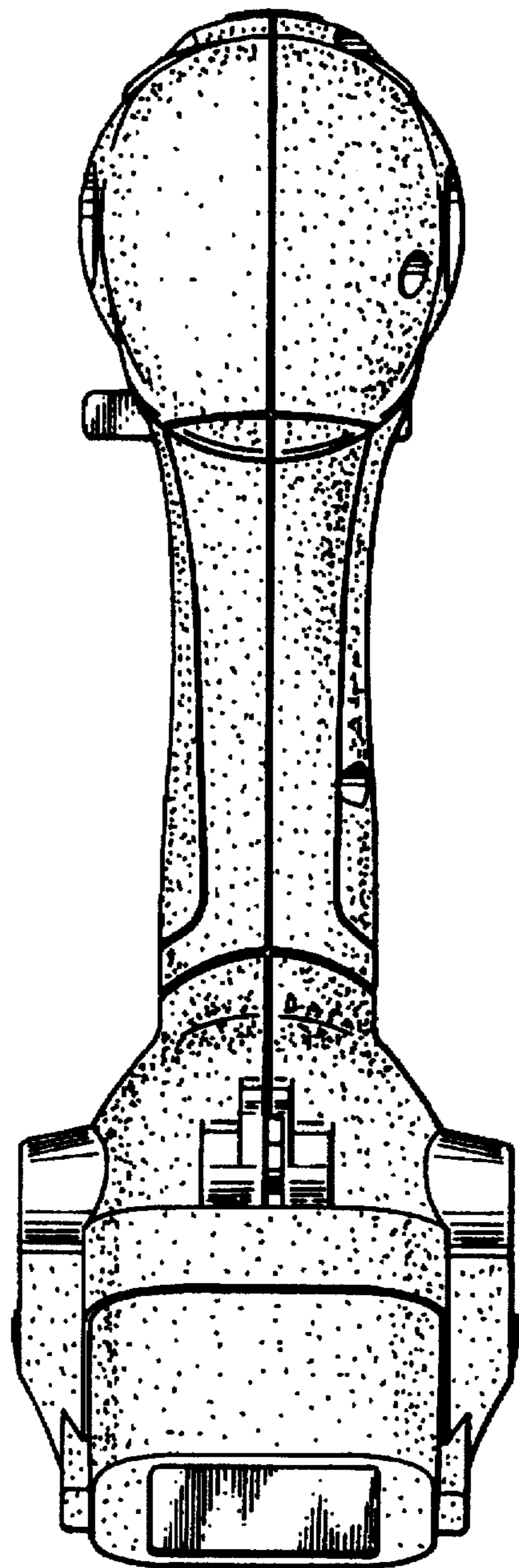
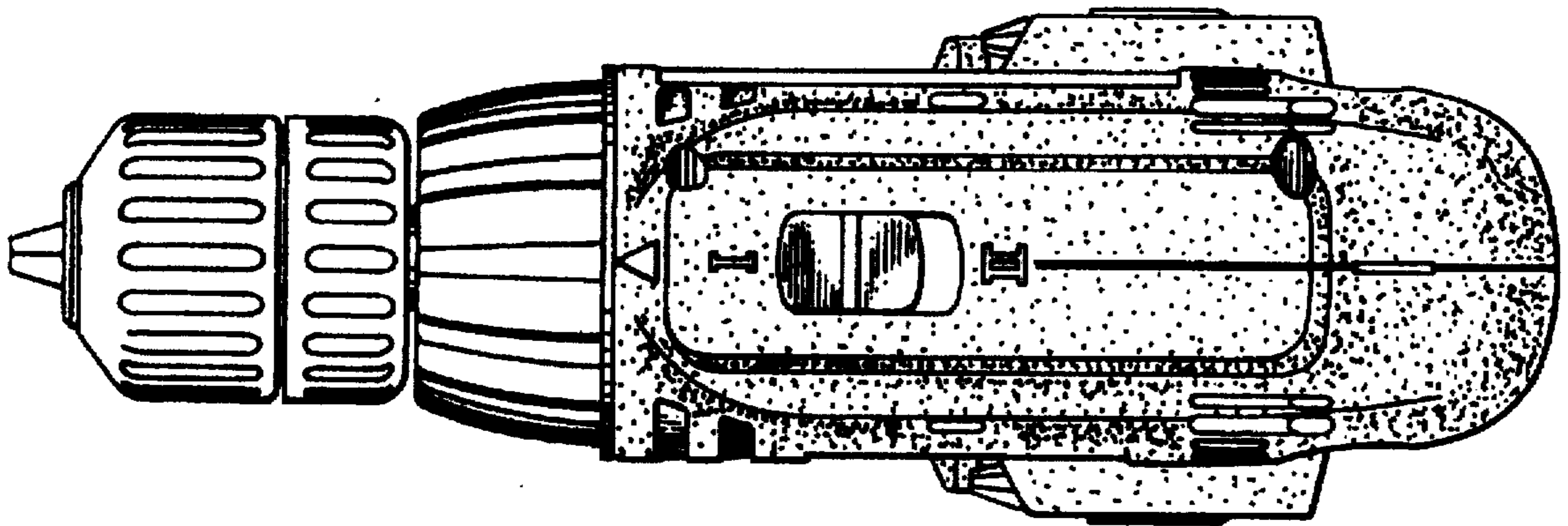


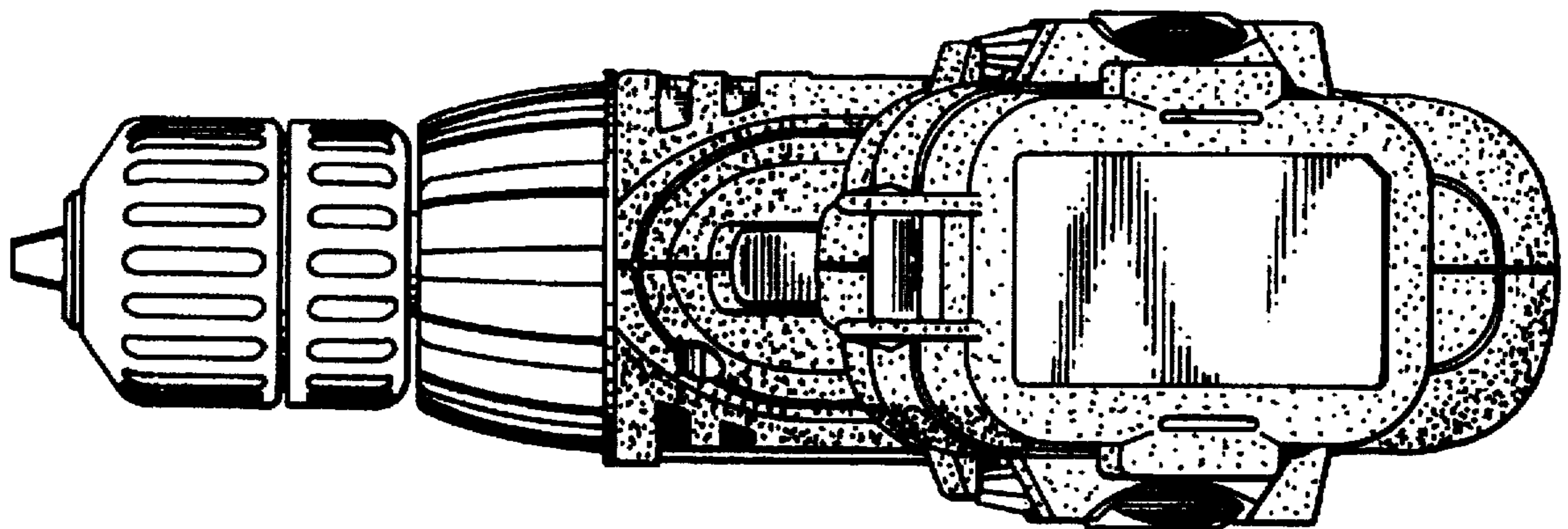
FIG. 12



*FIG. 13*

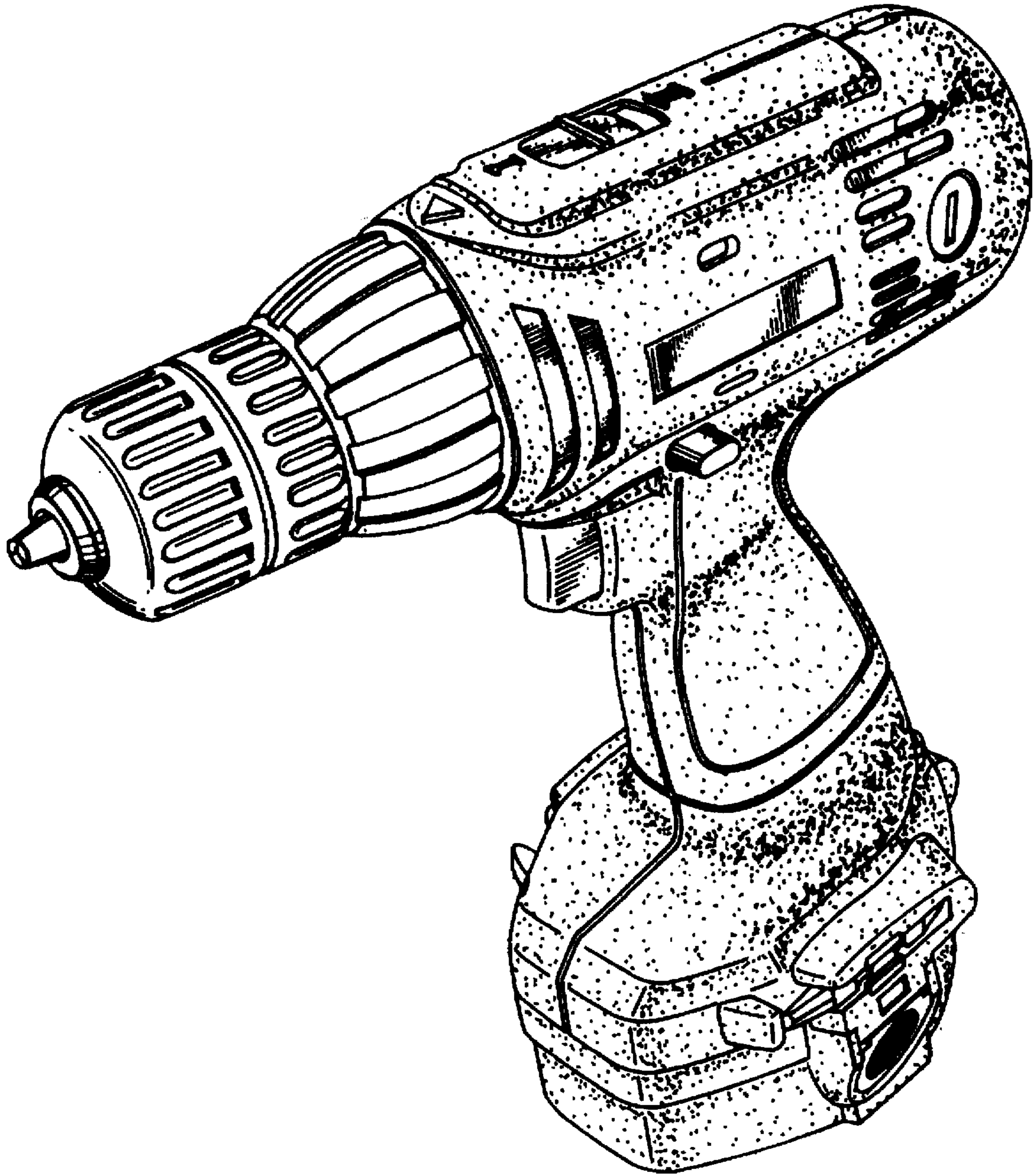


*FIG. 14*





*FIG. 15*



*FIG. 16*

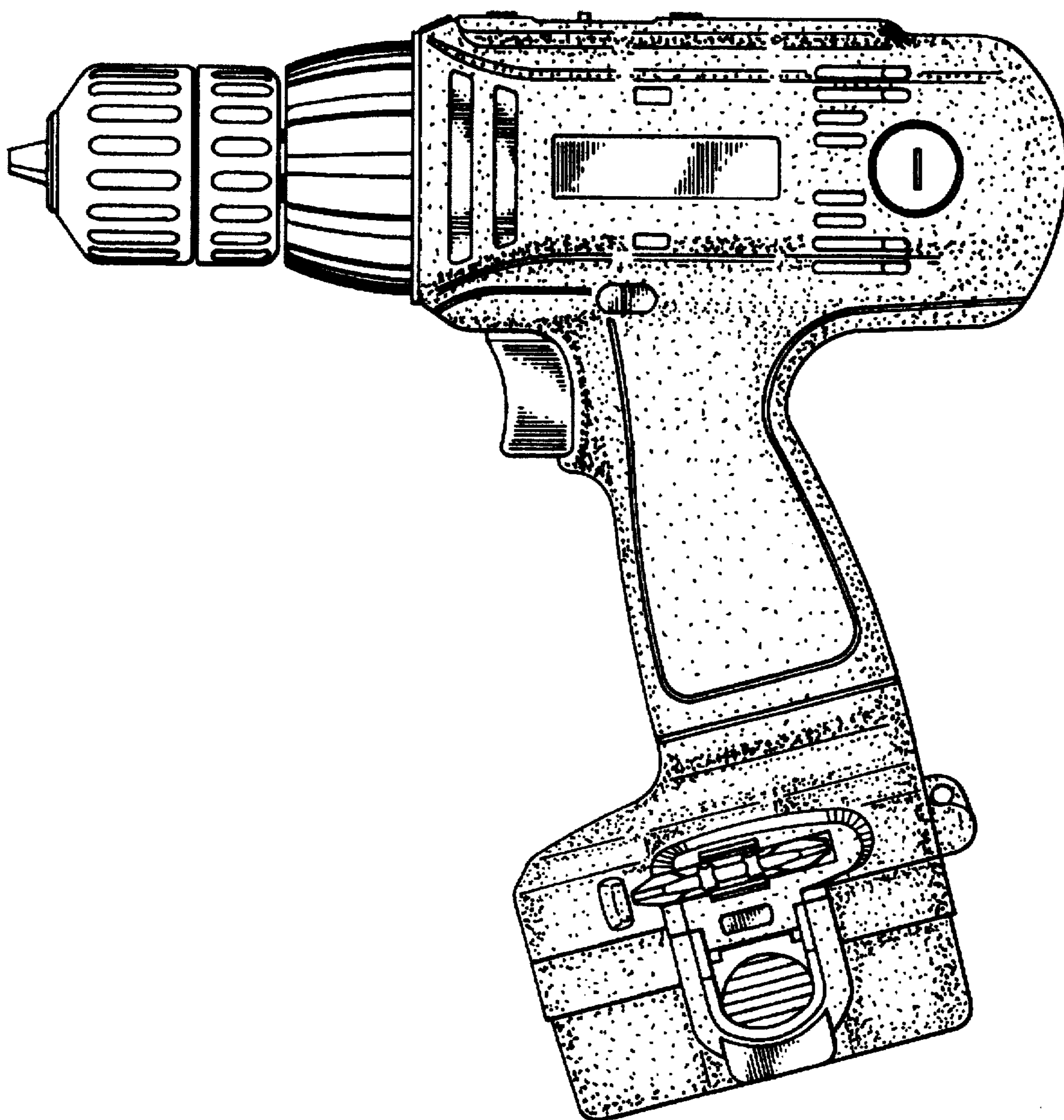


FIG. 17

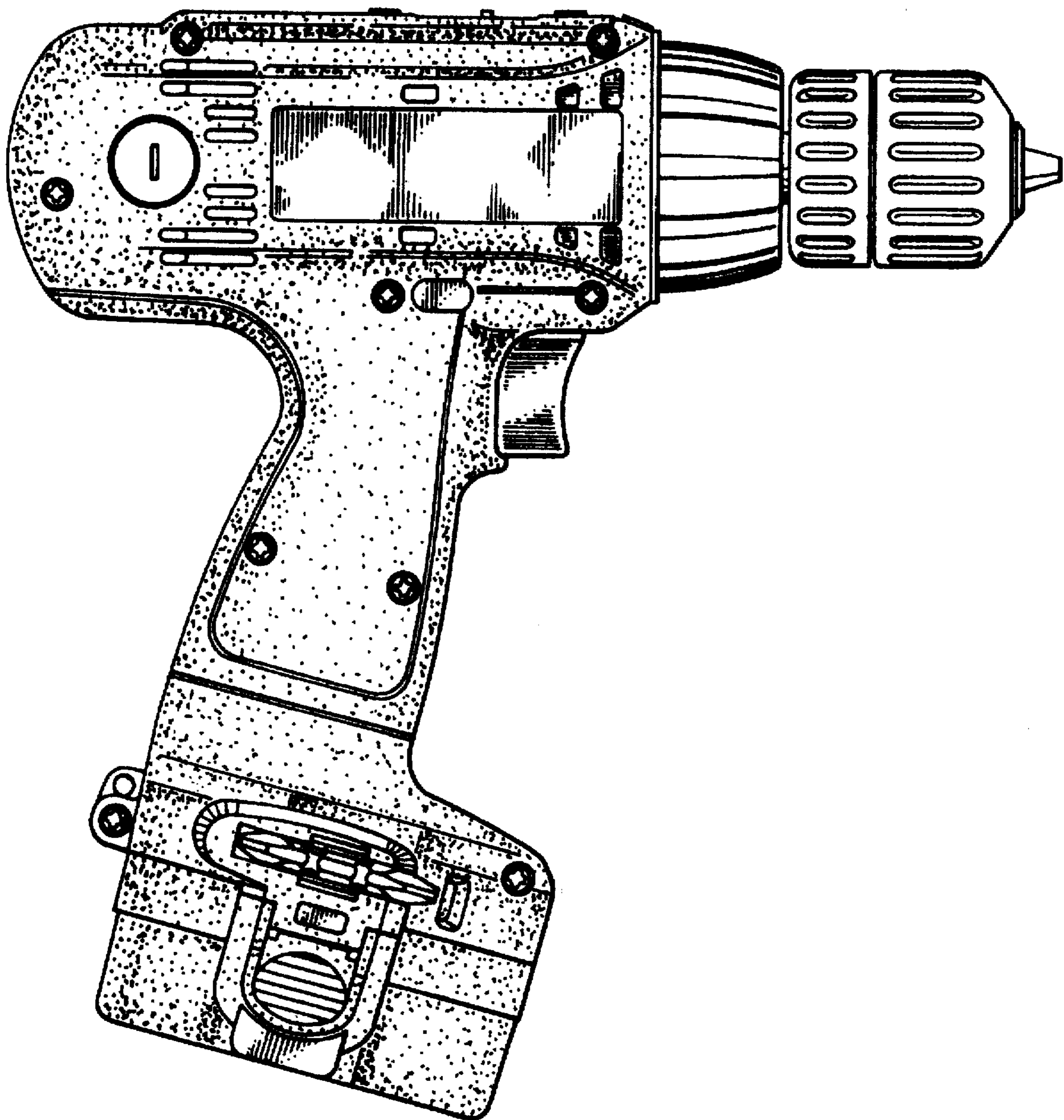




FIG. 18

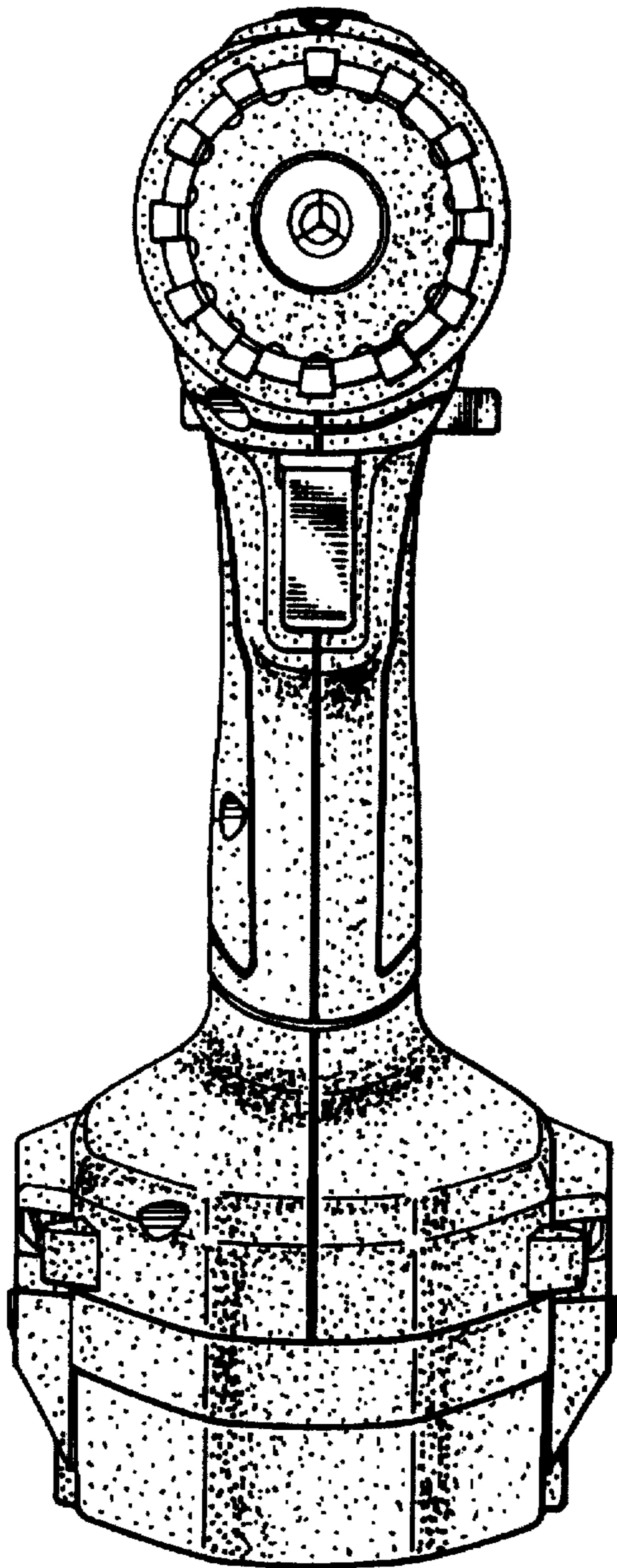


FIG. 19

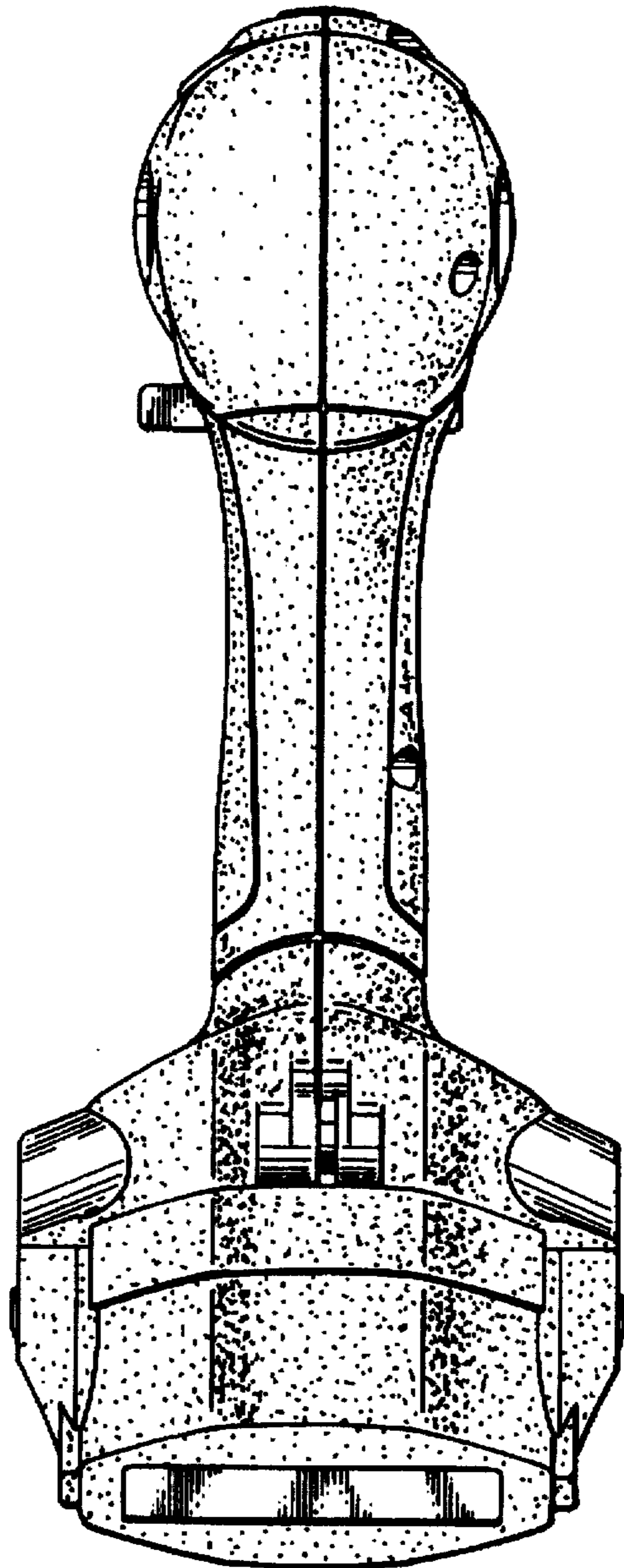


FIG. 20

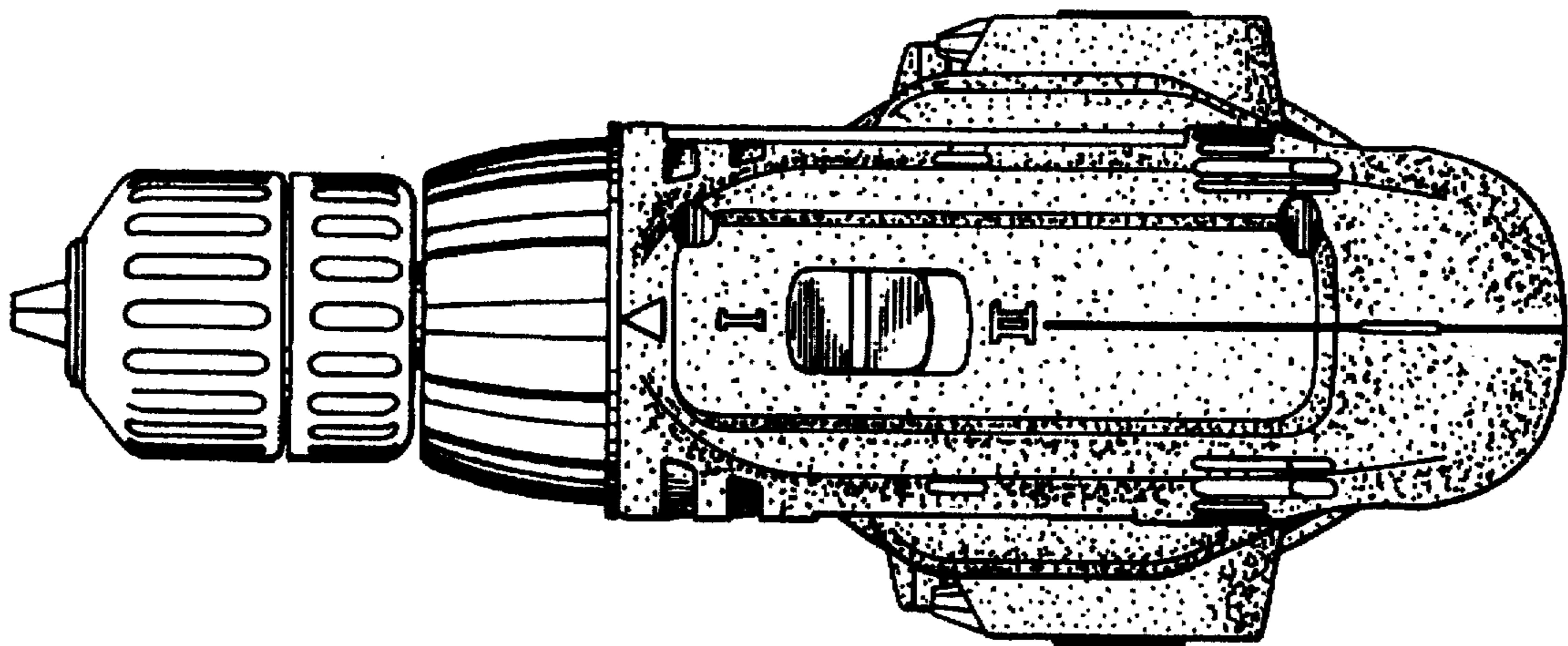


FIG. 21

