



US00D386657S

**United States Patent** [19]  
**Spirer**

[11] **Patent Number: Des. 386,657**  
[45] **Date of Patent: \*\*Nov. 25, 1997**

[54] **CHISEL**  
[76] **Inventor: Steven E. Spirer, 91 Haworth Ave., N.J. 07641**  
[\*\*] **Term: 14 Years**  
[21] **Appl. No.: 57,702**  
[22] **Filed: Jul. 30, 1996**  
[51] **LOC (6) Cl. .... 08-05**  
[52] **U.S. Cl. .... D8/47; D32/48**  
[58] **Field of Search .... D8/14, 47; D32/40, D32/46-49; 15/236.01; 30/167, 168, 167.1, 167.2**

855,834 6/1907 Bubb .  
1,076,900 10/1913 McNeil .  
1,082,802 12/1913 Full .  
1,945,810 2/1934 Holts .  
2,364,481 12/1944 Seiler .  
5,054,201 10/1991 Andrews .

*Primary Examiner*—Prabhakar G. Deshmukh  
*Assistant Examiner*—Richelle Shelton  
*Attorney, Agent, or Firm*—Weingram & Associates, P.C.

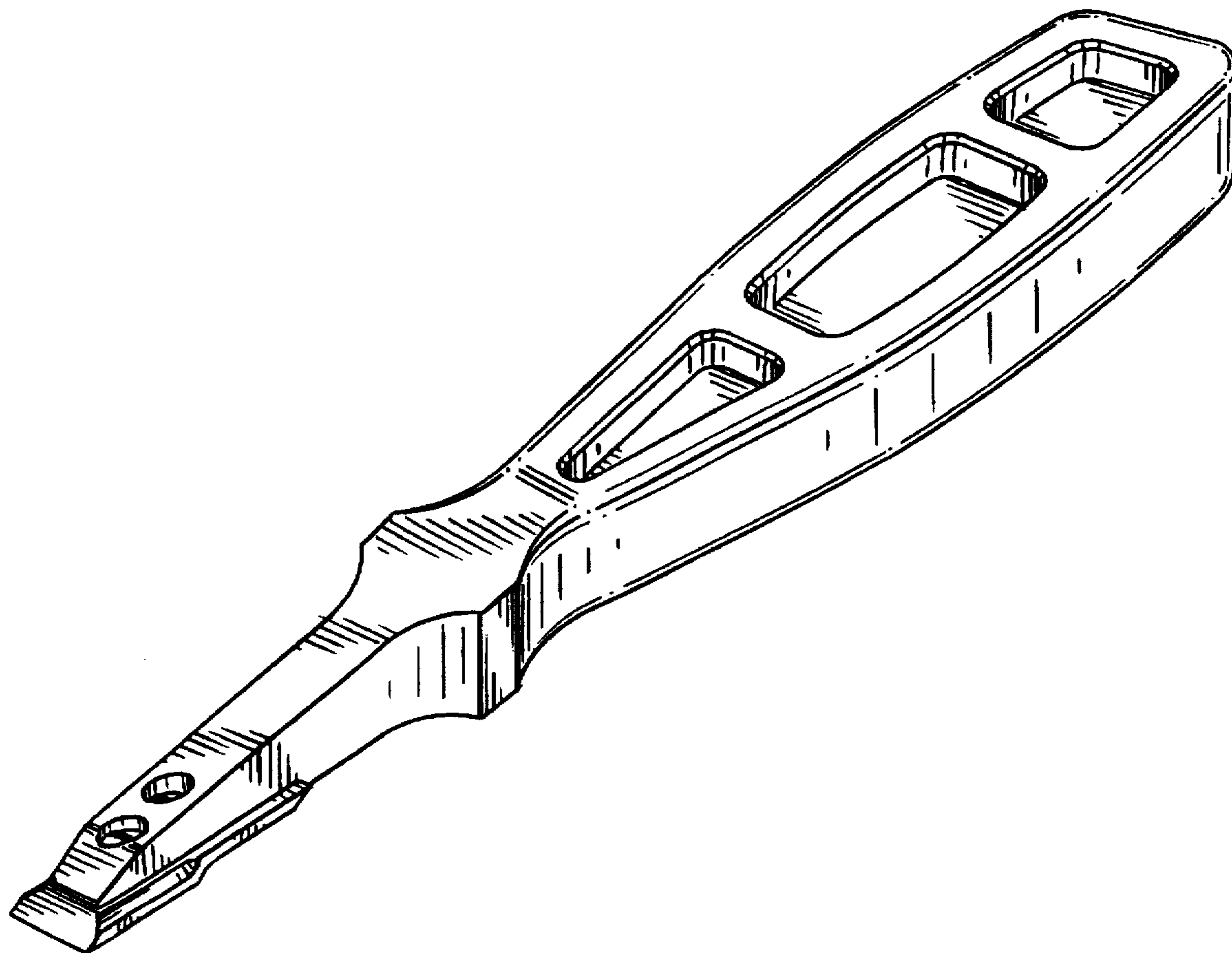
[57] **CLAIM**  
The ornamental design for chisel, as shown and described.

**DESCRIPTION**

FIG. 1 is a perspective view showing my new design for a chisel according to the present invention;  
FIG. 2 is a top plan view thereof;  
FIG. 3 is a side elevational view thereof, the opposite side being a mirror image;  
FIG. 4 is a bottom plan view thereof;  
FIG. 5 is a rear elevational view thereof; and,  
FIG. 6 is a front elevational view thereof.

[56] **References Cited**  
**U.S. PATENT DOCUMENTS**  
D. 274,566 7/1984 Osterman ..... D32/48  
D. 282,712 2/1986 Rademacher ..... D8/14  
D. 302,780 8/1989 Himbert et al. .... D8/47  
D. 365,736 1/1996 Rucereto ..... D8/14  
393,880 12/1888 Binkkero .  
415,636 11/1889 Hambujer ..... 30/167.1  
740,937 10/1903 Smith .

**1 Claim, 3 Drawing Sheets**



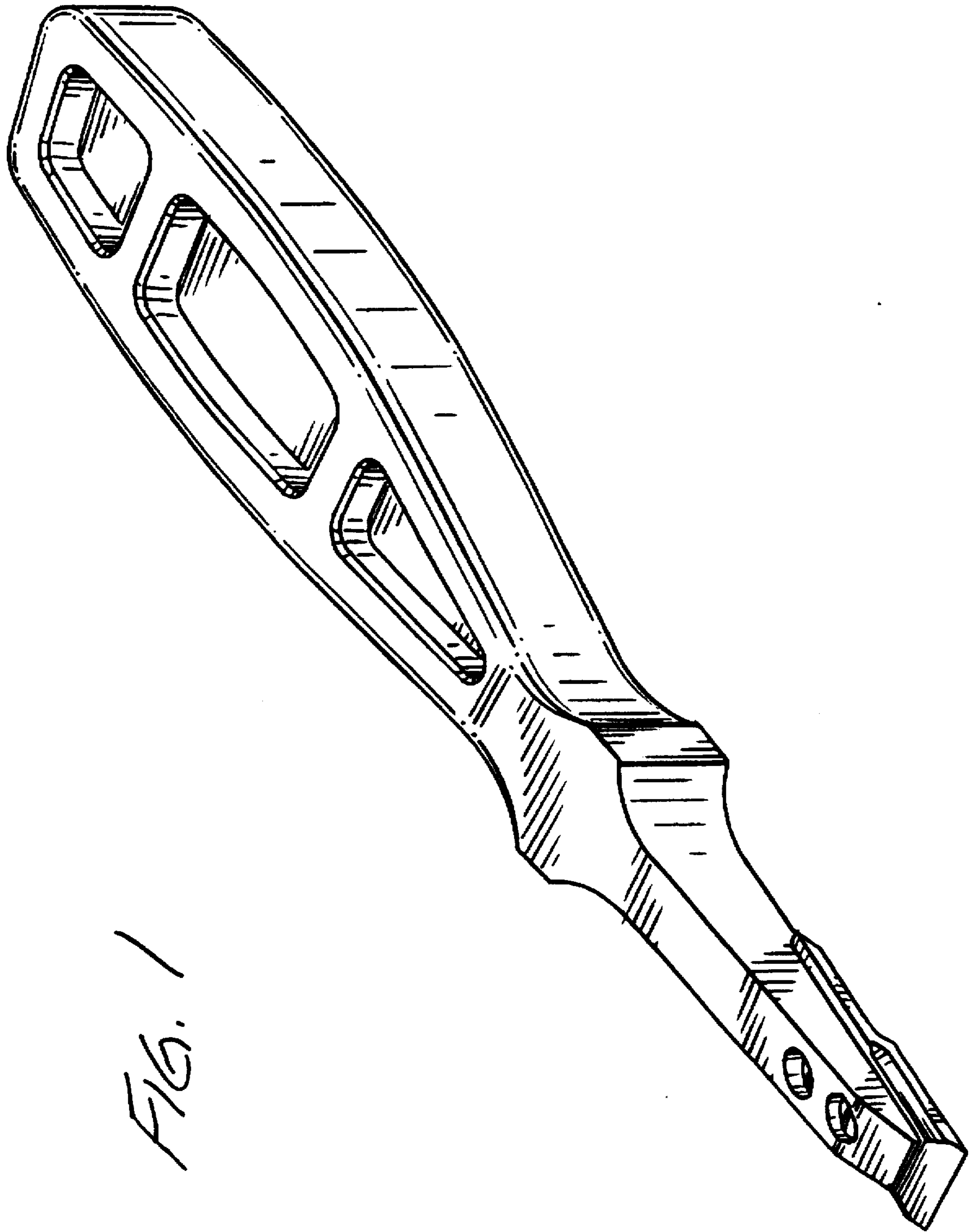


FIG. 1

FIG. 2

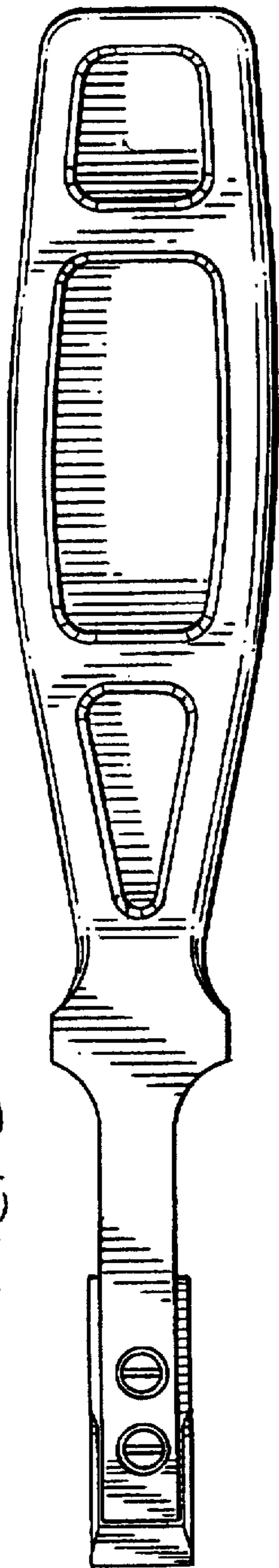


FIG. 3



FIG. 4

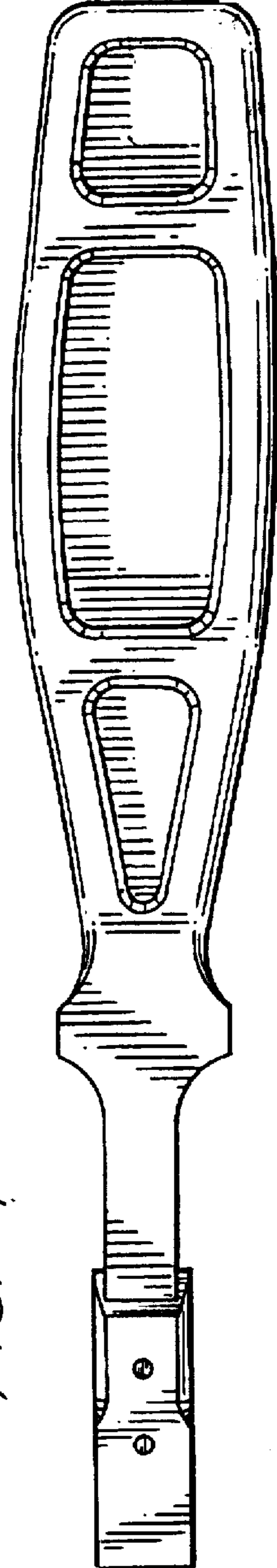


FIG. 5

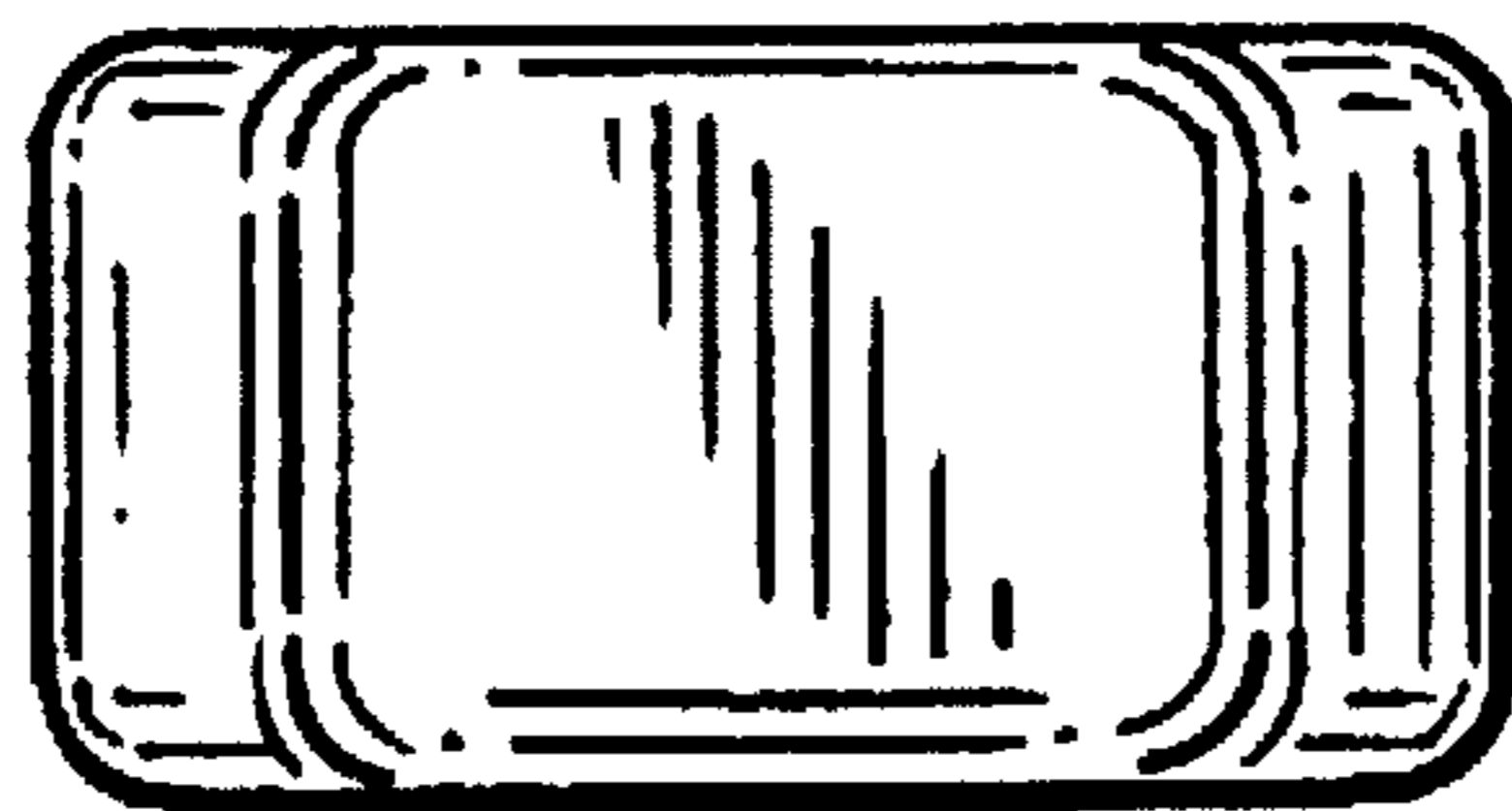


FIG. 6

