



US00D386656S

United States Patent [19]
Kyser

[11] **Patent Number: Des. 386,656**

[45] **Date of Patent: **Nov. 25, 1997**

[54] **WRENCH EXTENSION**

D. 375,028 10/1996 Moses D8/29
4,602,534 7/1986 Moeteli 81/177.85

[76] **Inventor: Bill Kyser, Rte. 2, Box 586,
Greensboro, Ala. 36744**

Primary Examiner—Prabhakar G. Deshmukh
Assistant Examiner—Richelle Shelton
Attorney, Agent, or Firm—Harold H. Dutton, Jr.

[**] **Term: 14 Years**

[21] **Appl. No.: 56,374**

[57] **CLAIM**

[22] **Filed: Jun. 27, 1996**

The ornamental design for a wrench extension, as shown.

[51] **LOC (6) Cl. 08-05**

DESCRIPTION

[52] **U.S. Cl. D8/21; D8/25; D8/29**

FIG. 1 is a perspective view of a wrench extension showing my new design;

[58] **Field of Search D8/21, 25, 29;**

81/65, 121.1, 177.2, 177.85

FIG. 2 is a top view thereof;

FIG. 3 is a bottom view thereof;

FIG. 4 is a left view thereof;

FIG. 5 is a right view thereof;

FIG. 6 is a rear view thereof; and,

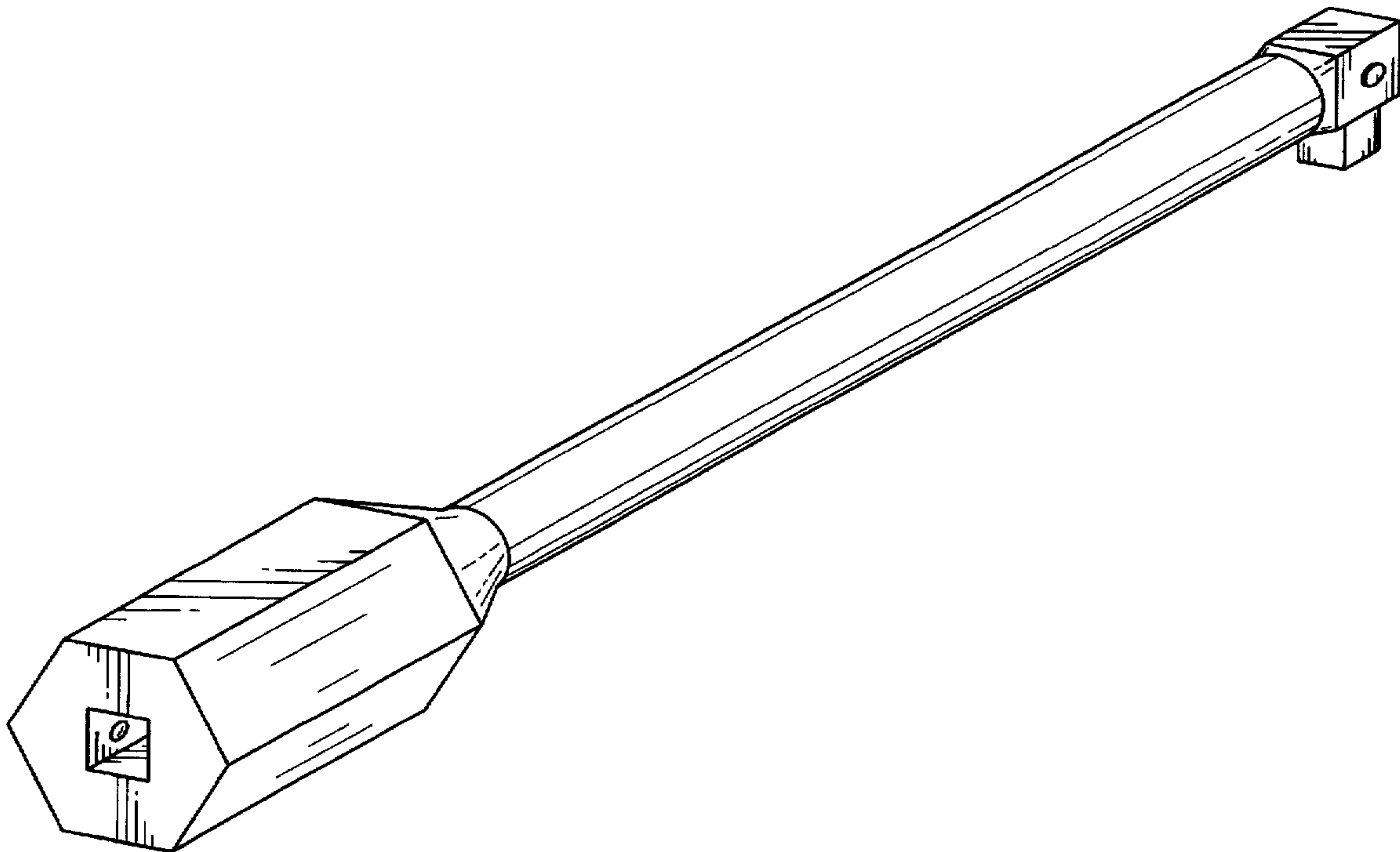
FIG. 7 is a front view thereof.

[56] **References Cited**

U.S. PATENT DOCUMENTS

D. 108,159 1/1938 Mandl D8/25
D. 142,054 8/1945 Young D8/29
D. 319,562 9/1991 Ballard D8/29

1 Claim, 4 Drawing Sheets



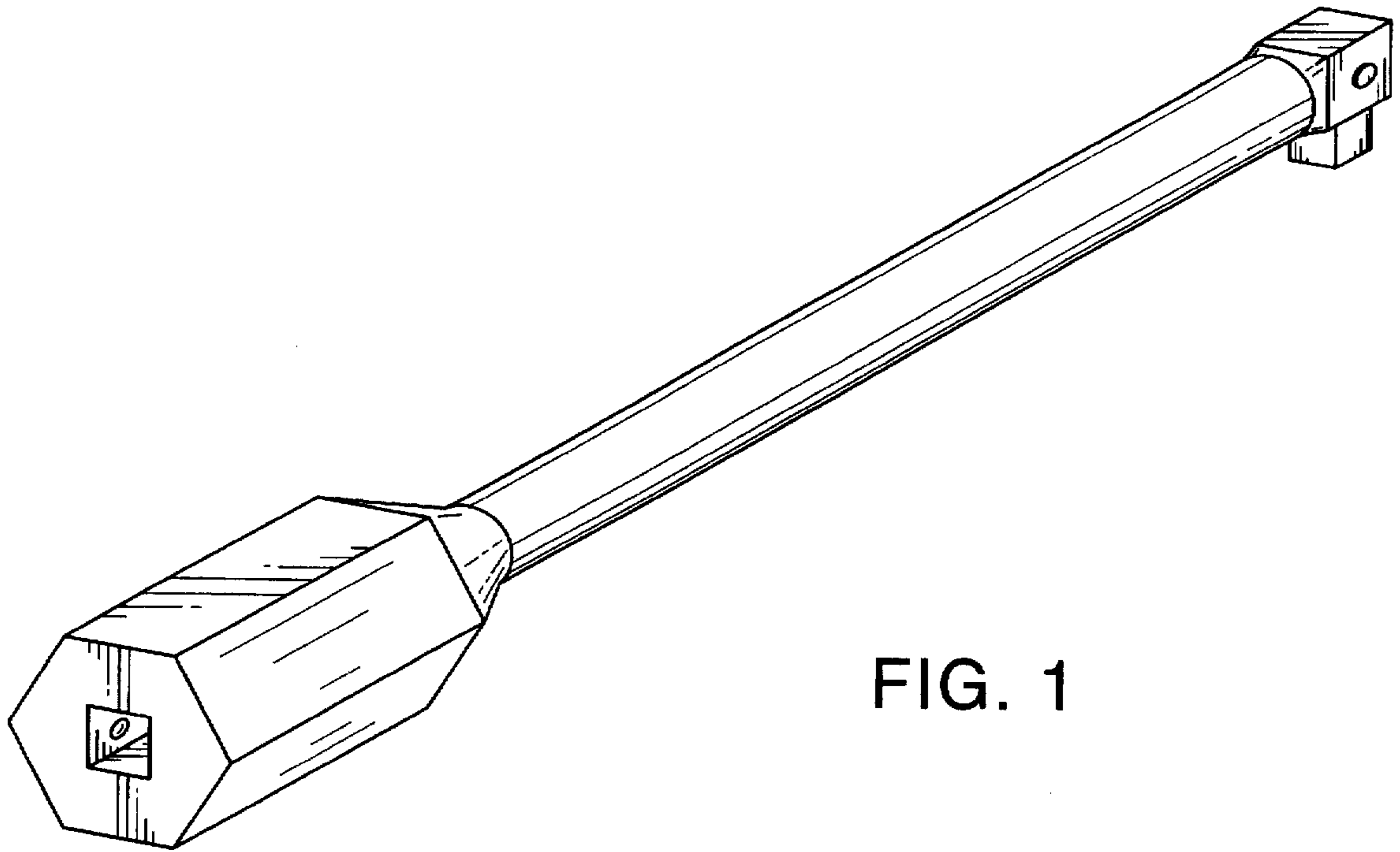


FIG. 1

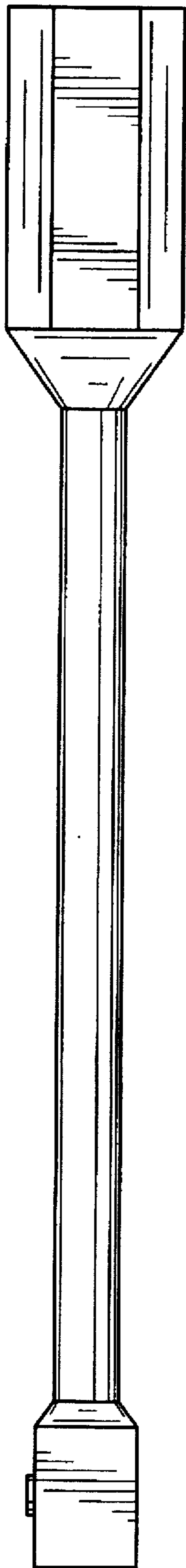


FIG. 2

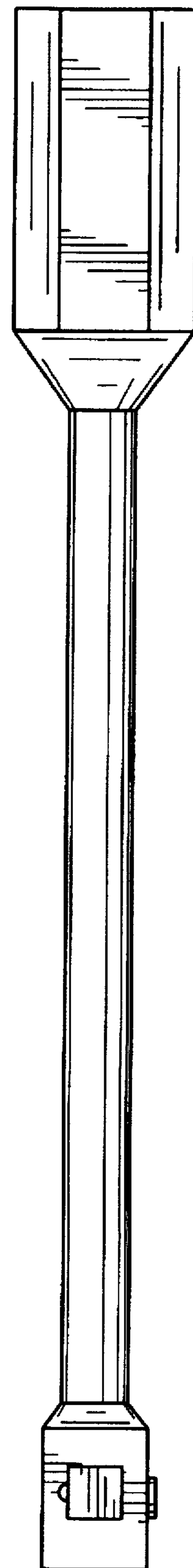


FIG. 3

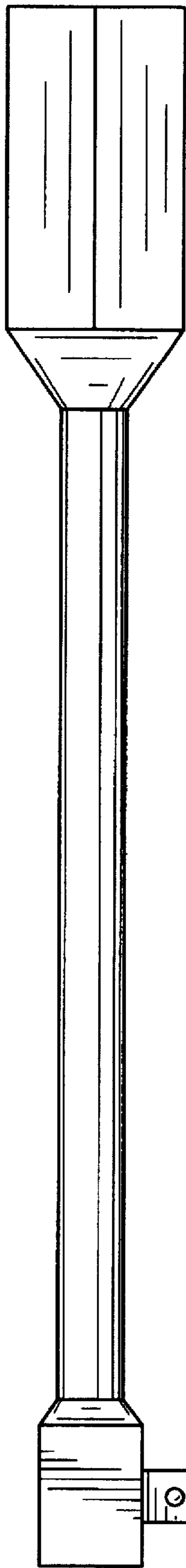


FIG. 4

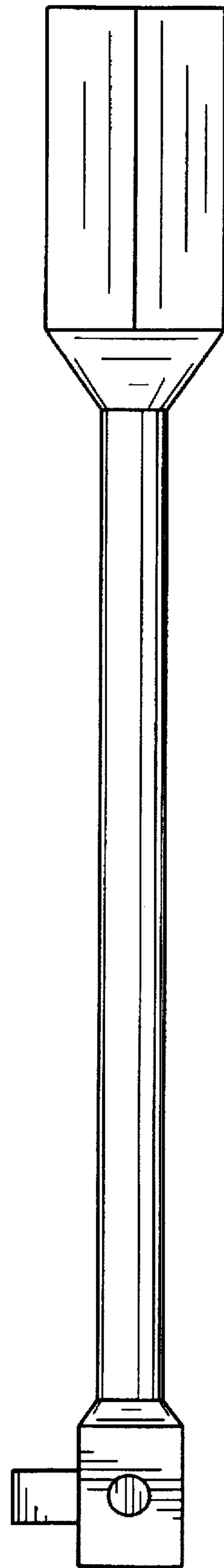


FIG. 5

FIG. 6

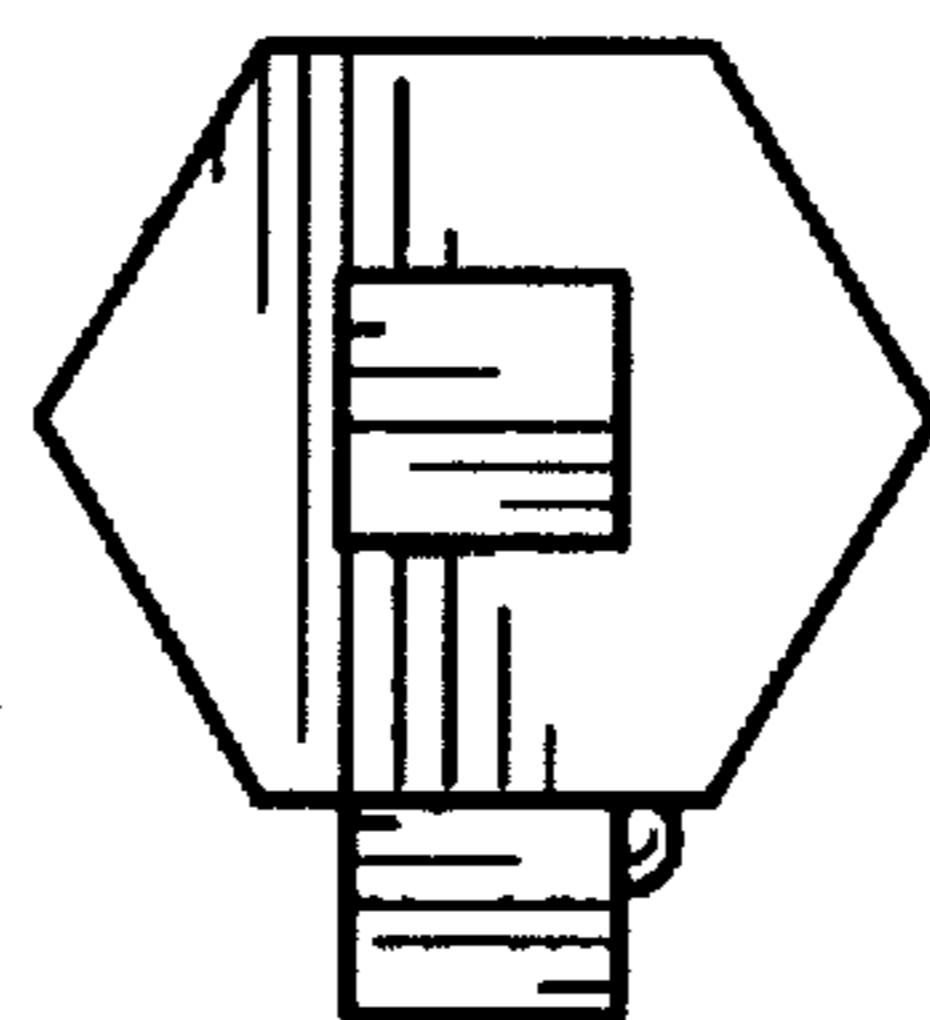
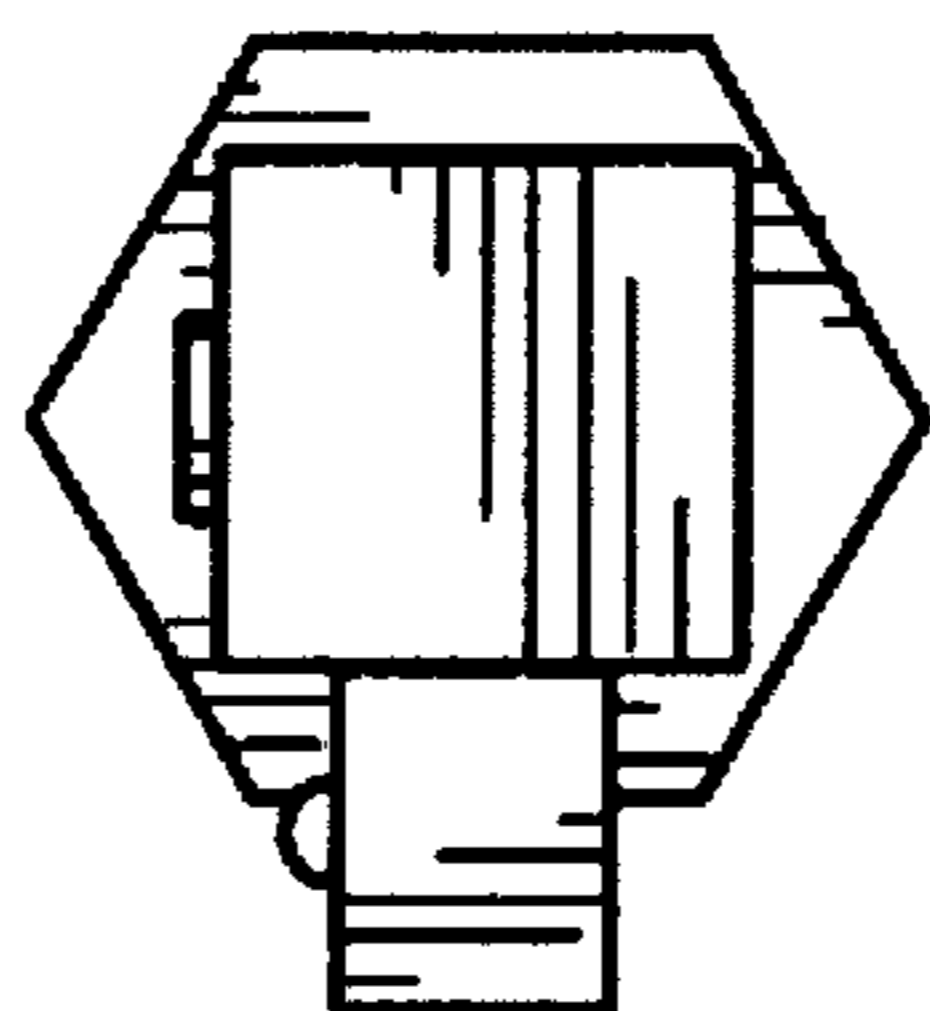


FIG. 7