



US00D386652S

United States Patent [19]

[11] Patent Number: **Des. 386,652**

Rimback et al.

[45] Date of Patent: ****Nov. 25, 1997**

[54] **LANDSCAPE TIMBER CONNECTING SYSTEM**

[75] Inventors: **Peter Rimback**, Cuyahoga County;
James Vidmar, Willoughby, both of Ohio

[73] Assignee: **Hanover Catalog Holdings, Inc.**,
Weehawken, N.J.

[**] Term: **14 Years**

[21] Appl. No.: **53,771**

[22] Filed: **Apr. 30, 1996**

[51] LOC (6) Cl. **08-01**

[52] U.S. Cl. **D8/1; D8/382; D8/391**

[58] **Field of Search** **D8/1, 354, 356, D8/382, 384, 394, 391; D25/35, 113, 118, 131, 133, 199; 47/23, 33, 41.14; 52/102, 103, 155, 156, 590.2, 653.2, 282.2; 403/65, 93, 169, 170, 205, 217, 381, 171, 4, 263**

[56] **References Cited**

U.S. PATENT DOCUMENTS

286,182	10/1883	Cunningham et al.	256/13
3,415,013	12/1968	Galbraith	47/33 X
3,537,687	11/1970	Adelman	256/19

3,545,128	12/1970	La Fontaine et al.	47/33
3,916,563	11/1975	Tedesh	47/33
4,508,319	4/1985	Tappan et al.	47/33
4,735,397	4/1988	Degagne	403/263 X
4,968,171	11/1990	Shell	403/4
4,971,475	11/1990	Castonguay et al.	404/7
5,168,678	12/1992	Scott, Jr. et al.	52/102
5,230,187	7/1993	Reimann	52/102
5,291,708	3/1994	Johnson	52/103

Primary Examiner—Caron D. Veynar
Attorney, Agent, or Firm—Thompson Hine & Flory LLP

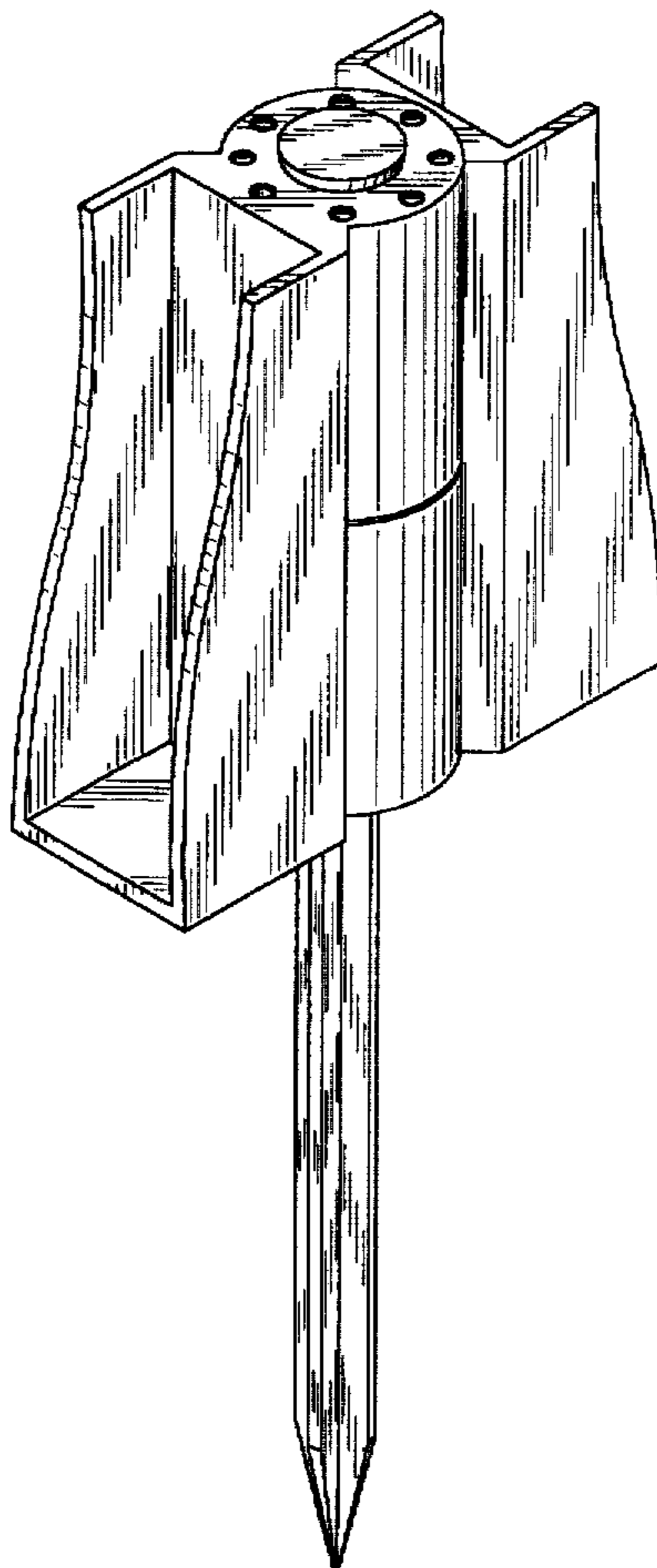
[57] **CLAIM**

The ornamental design for a landscape timber connecting system, as shown and described.

DESCRIPTION

FIG. 1 is a perspective view of a landscape timber connecting system embodying our new design;
FIG. 2 is an exploded, perspective view thereof;
FIG. 3 is a front elevational view thereof, the back elevational view being substantially identical thereto;
FIG. 4 is a left side elevational view thereof, the right side elevational view being substantially identical thereto;
FIG. 5 is a top plan view thereof; and,
FIG. 6 is a bottom plan view thereof.

1 Claim, 4 Drawing Sheets



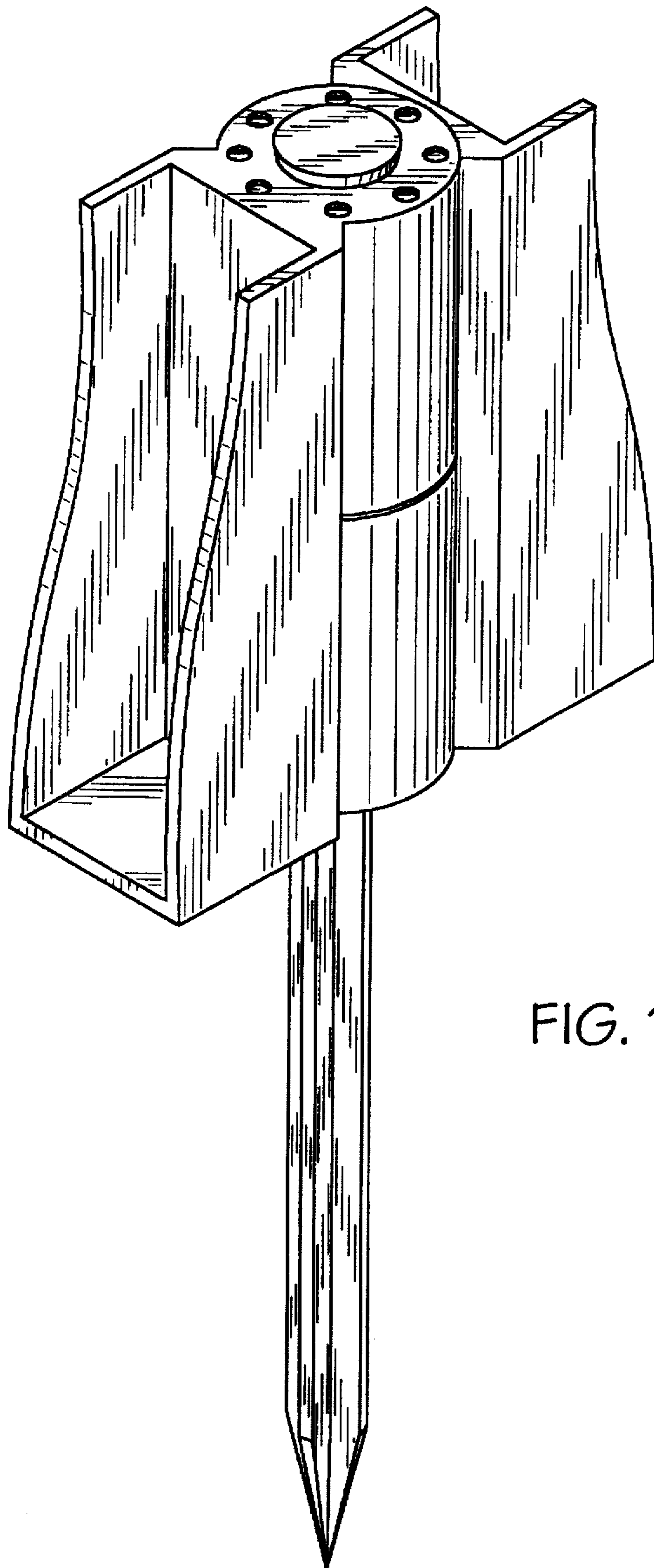


FIG. 1

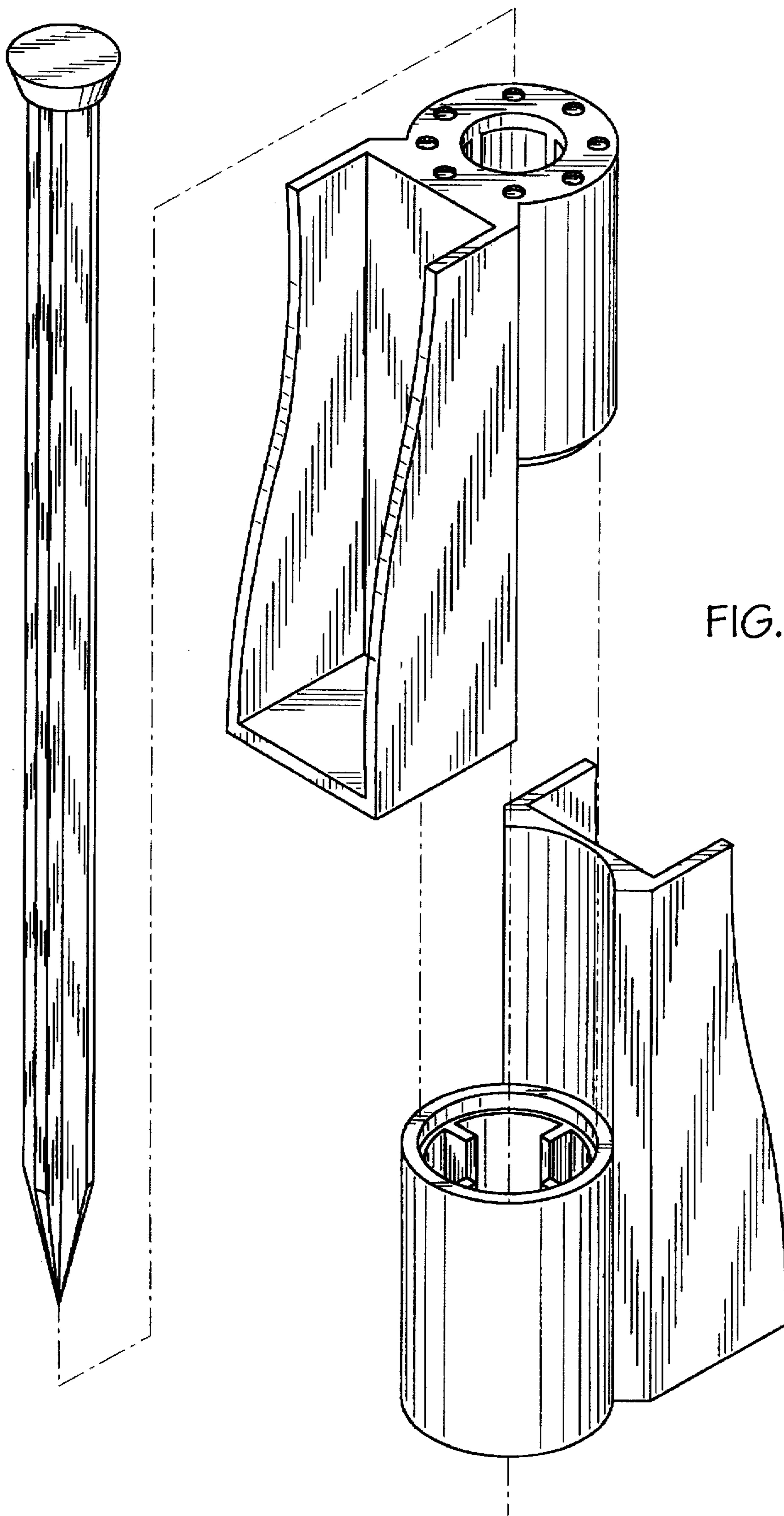


FIG. 2

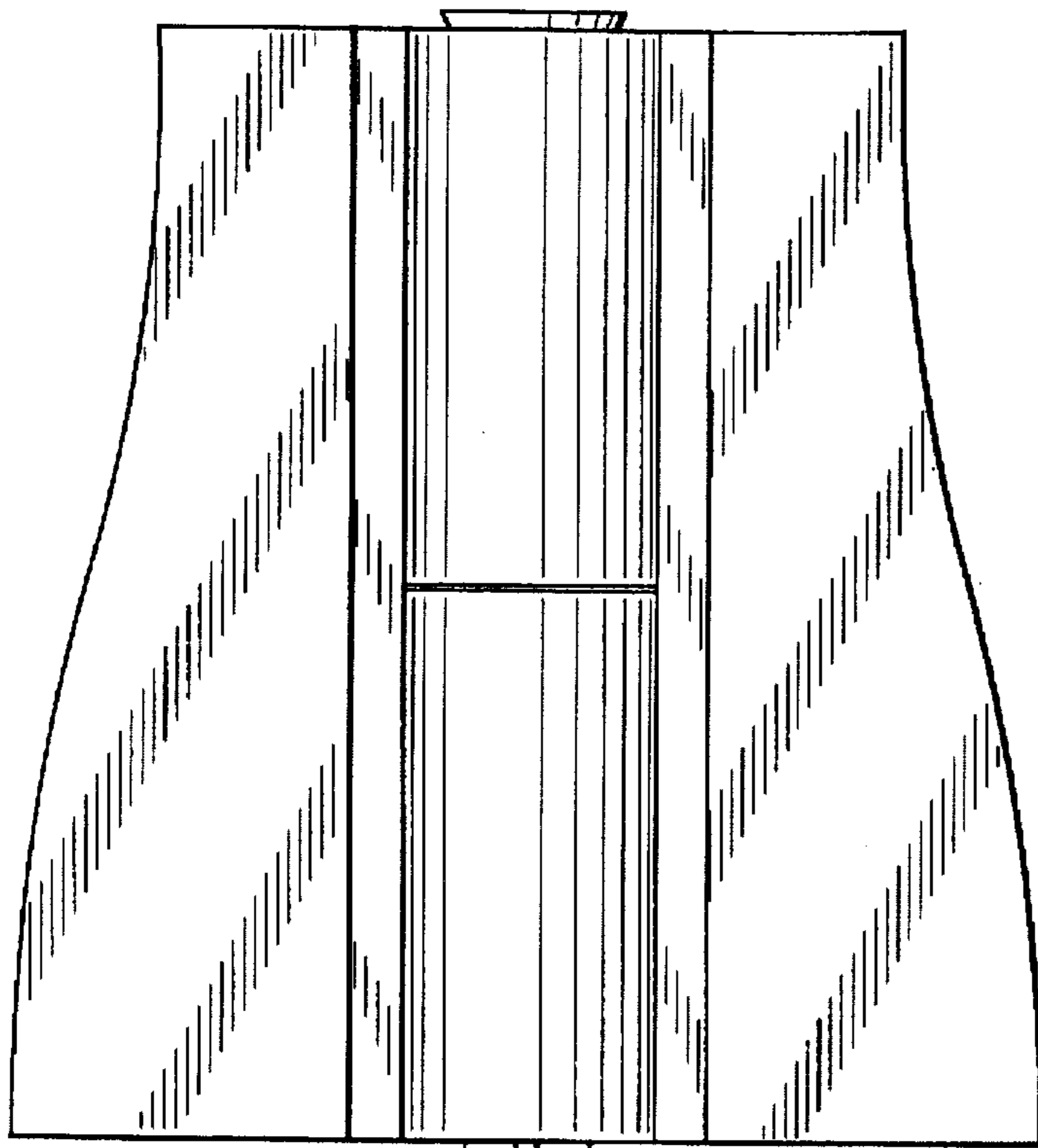


FIG. 3

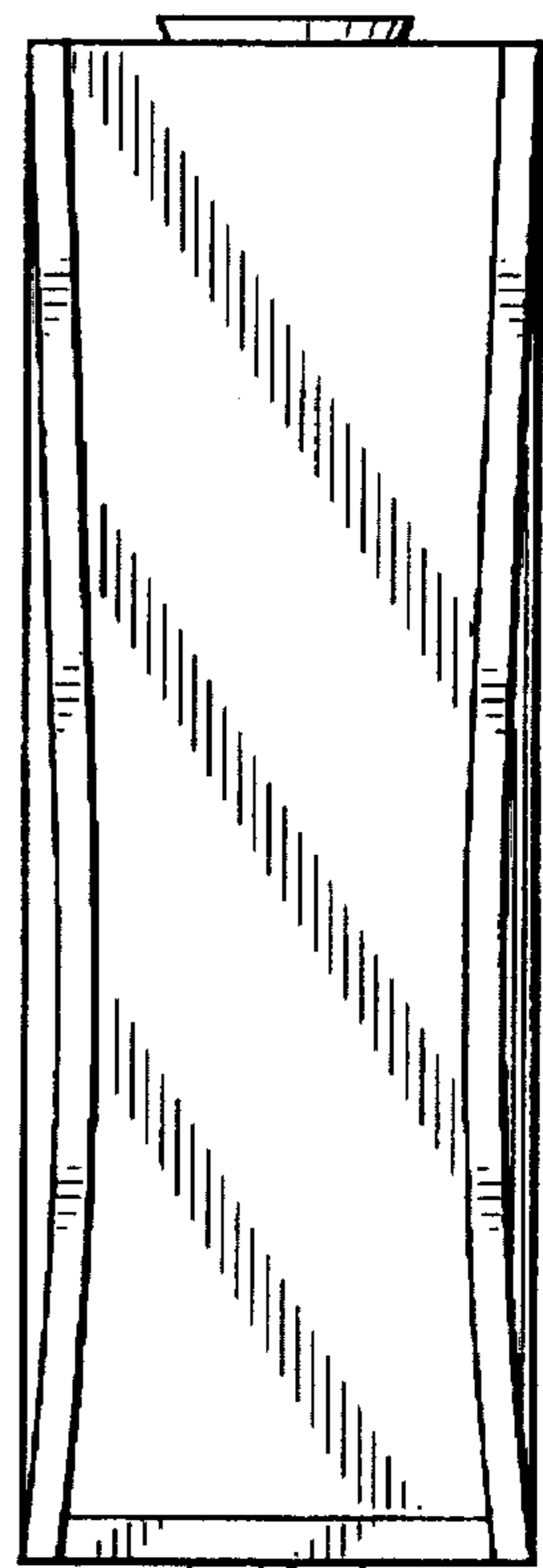
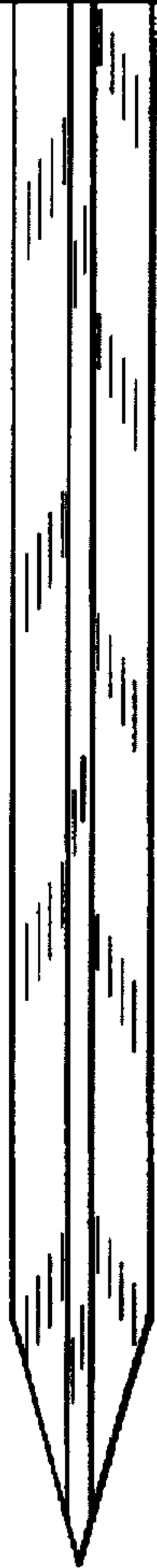


FIG. 4



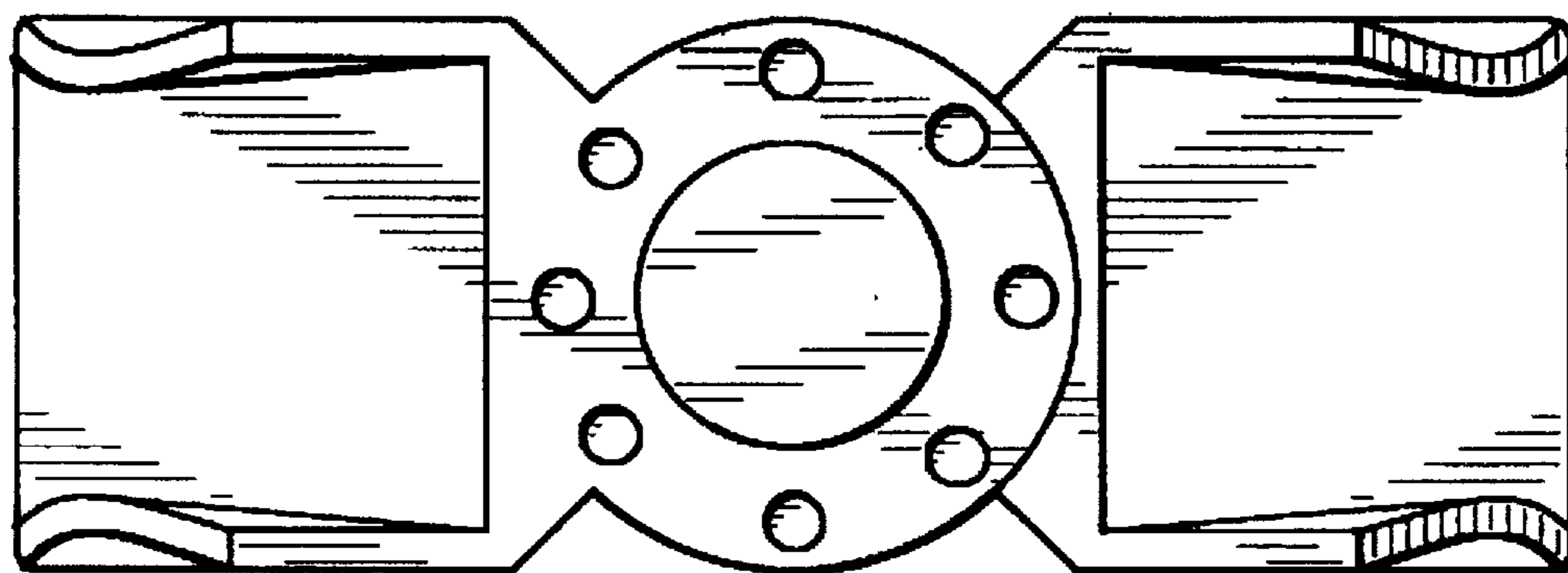


FIG. 5

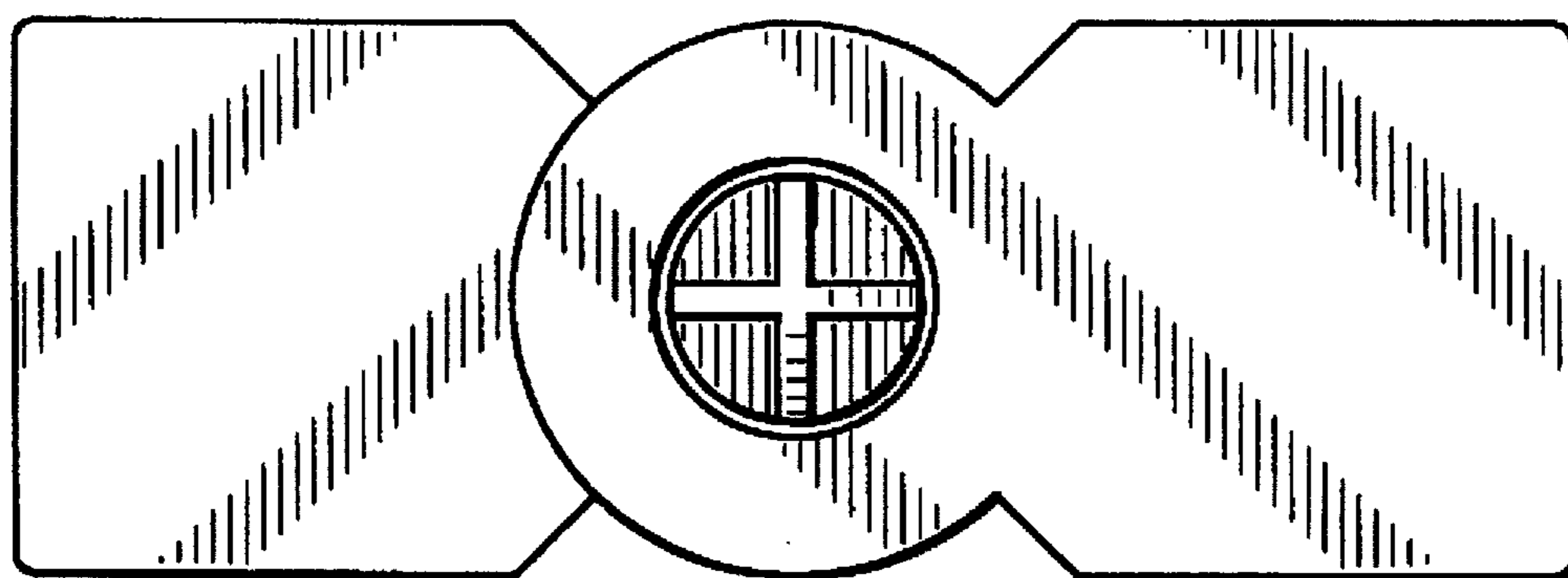


FIG. 6