



US00D386649S

United States Patent [19]

Arnfelt

[11] Patent Number: Des. 386,649

[45] Date of Patent: **Nov. 25, 1997

[54] COOLER

[76] Inventor: David A. Arnfelt, Waseca, Minn. 56093

[**] Term: 14 Years

[21] Appl. No.: 59,889

[22] Filed: Sep. 17, 1996

[51] LOC (6) Cl. 07-01

[52] U.S. Cl. D7/606

[58] Field of Search D7/605-607, 709,
D7/710; D3/201, 273, 276, 283, 268, 301;
220/410, 412; 62/457.1, 457.7, 371; 206/545,
549, 541, 548

[56] **References Cited**

U.S. PATENT DOCUMENTS

D. 347,970 6/1994 Wright D7/606

D. 355,813 2/1995 Vance .

D. 362,788 10/1995 Hartman .

D. 370,833 6/1996 Vance D7/606

Primary Examiner—Terry A. Wallace
Attorney, Agent, or Firm—Patterson & Keough, P.A.

[57] **CLAIM**

The ornamental design for a cooler, as shown and described.

DESCRIPTION

FIG. 1 is a front perspective view of a cooler showing my new design;

FIG. 2 is a left side elevational view thereof;

FIG. 3 is a top plan view thereof;

FIG. 4 is a front elevational view thereof;

FIG. 5 is a rear elevational view thereof; and,

FIG. 6 is a bottom plan view thereof.

1 Claim, 2 Drawing Sheets

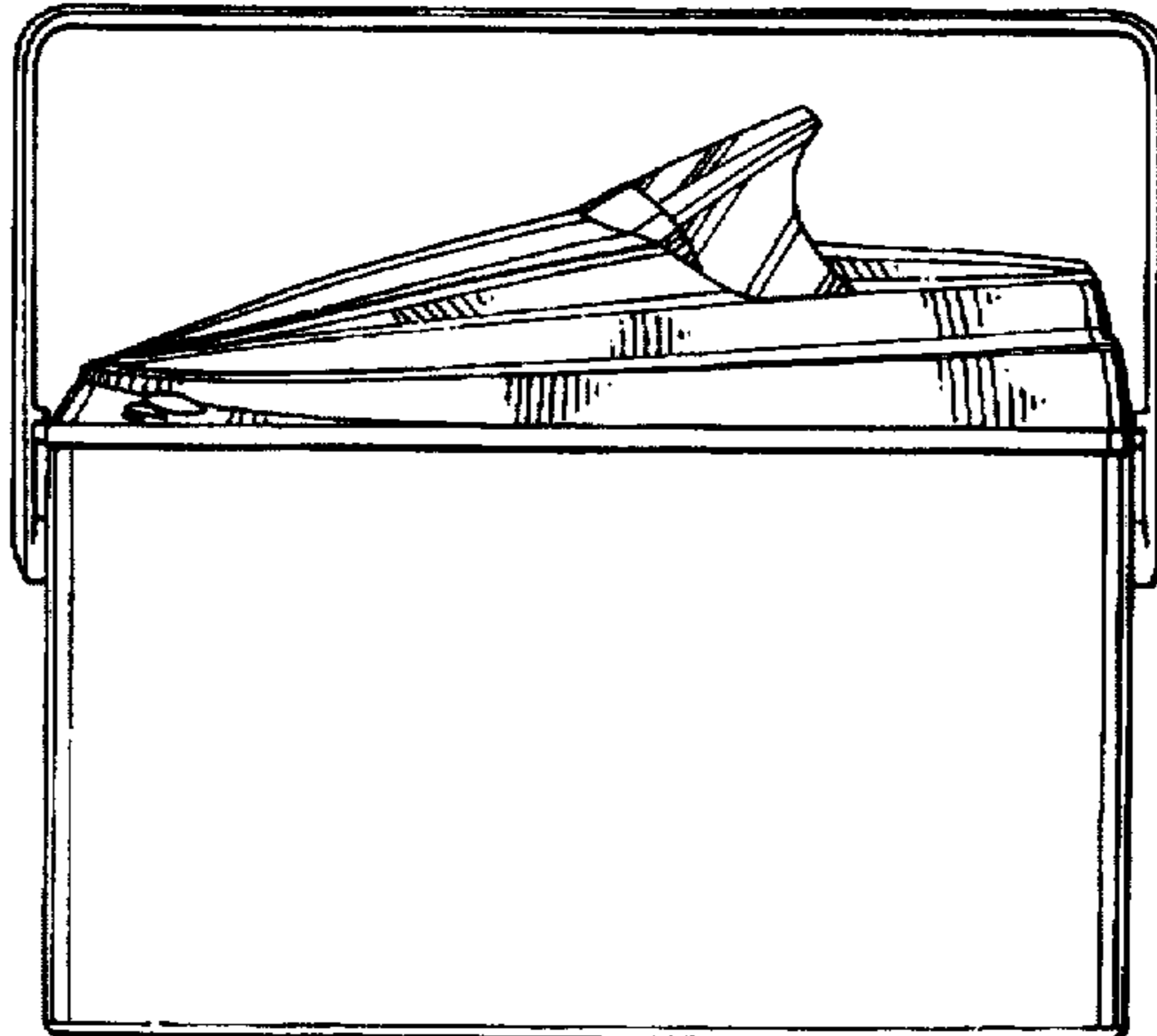
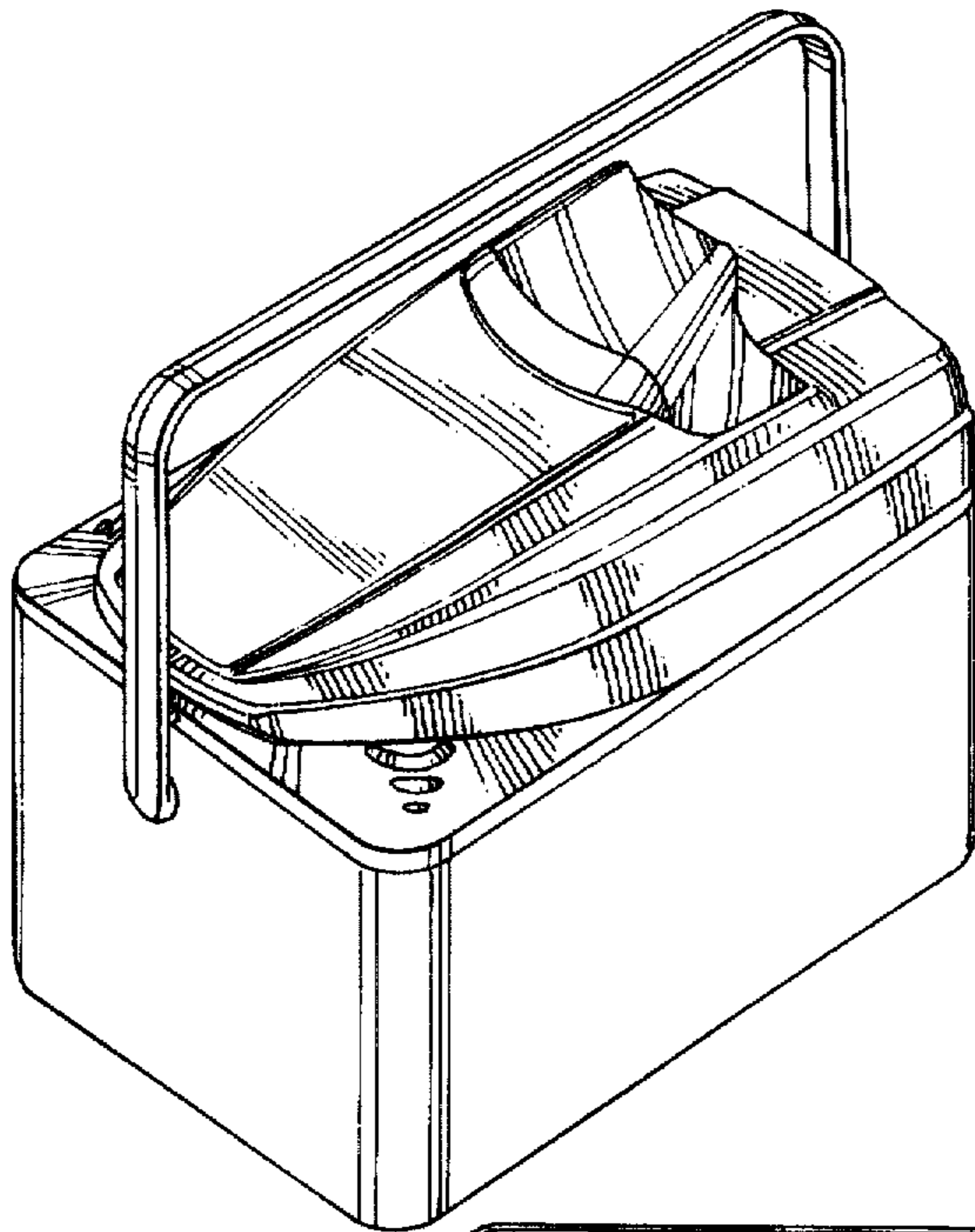


Fig. 1

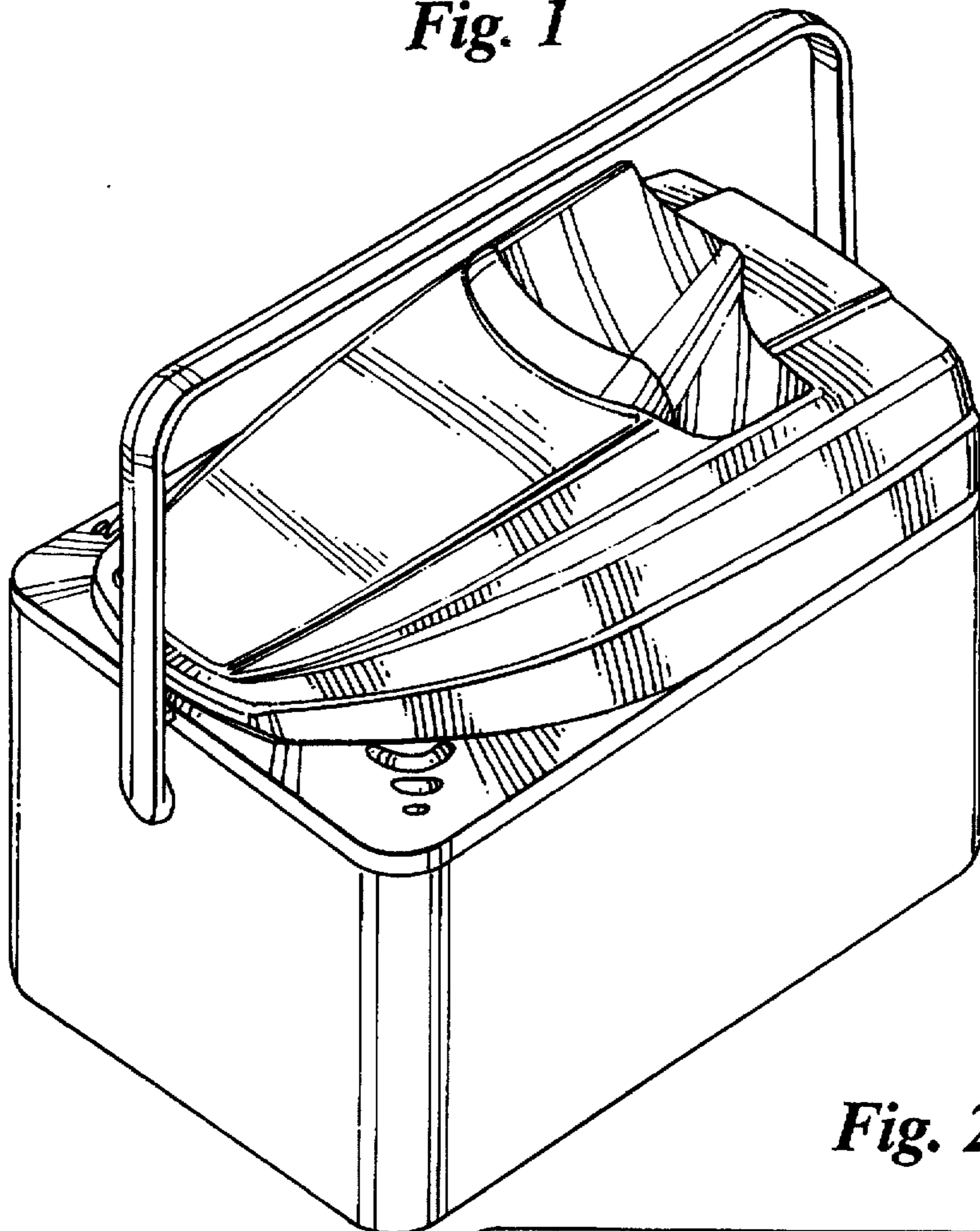


Fig. 2

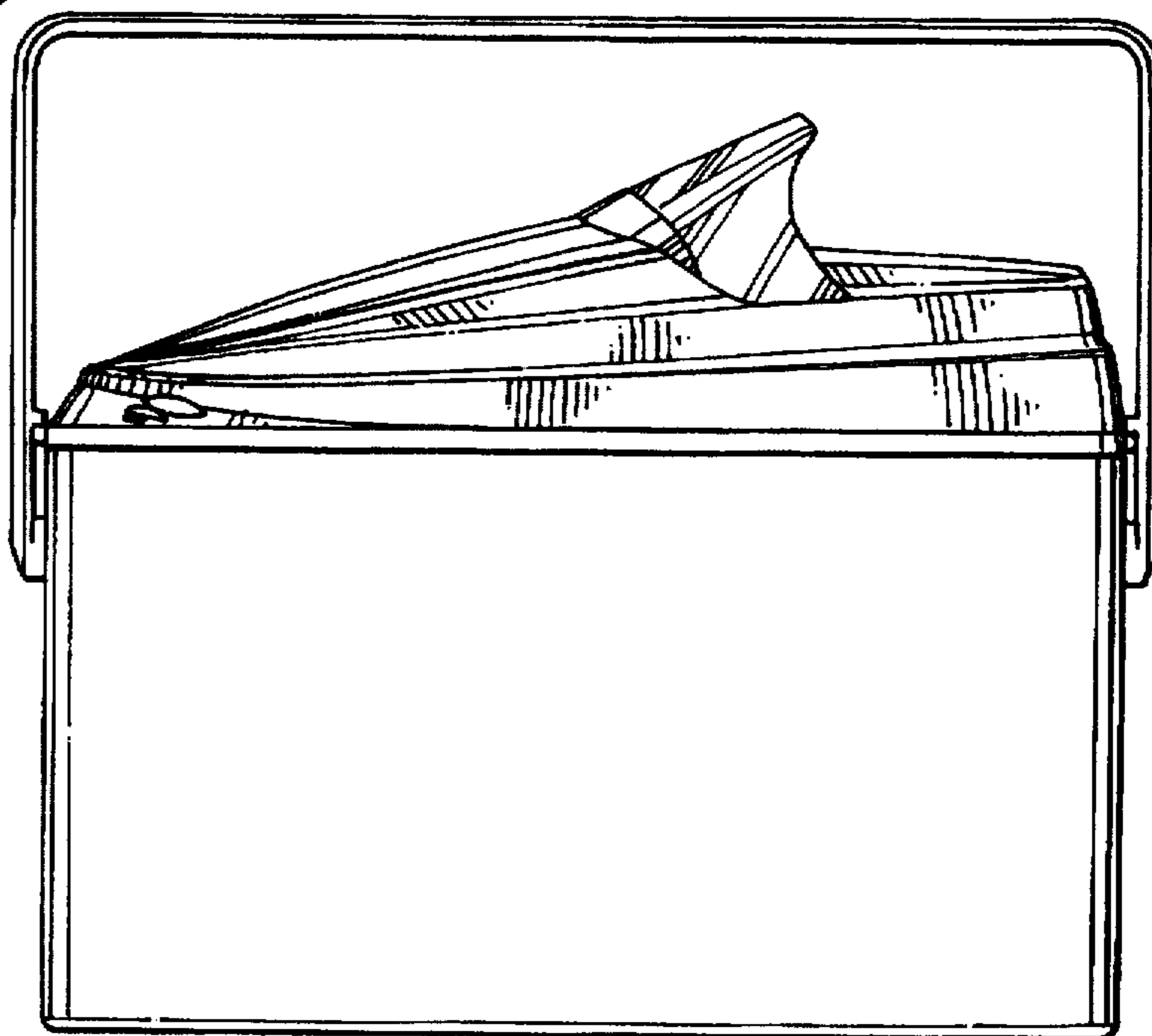


Fig. 3

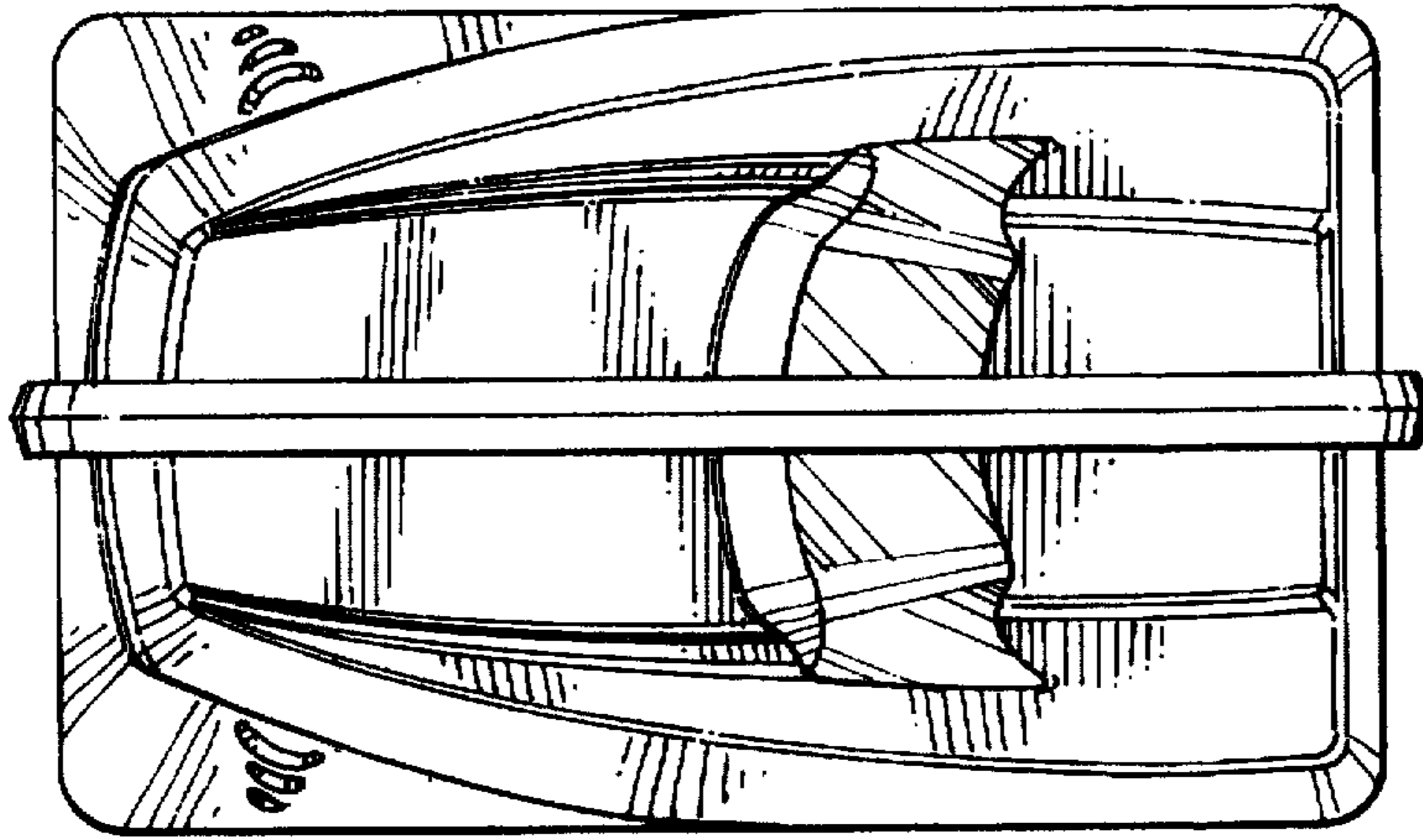


Fig. 4

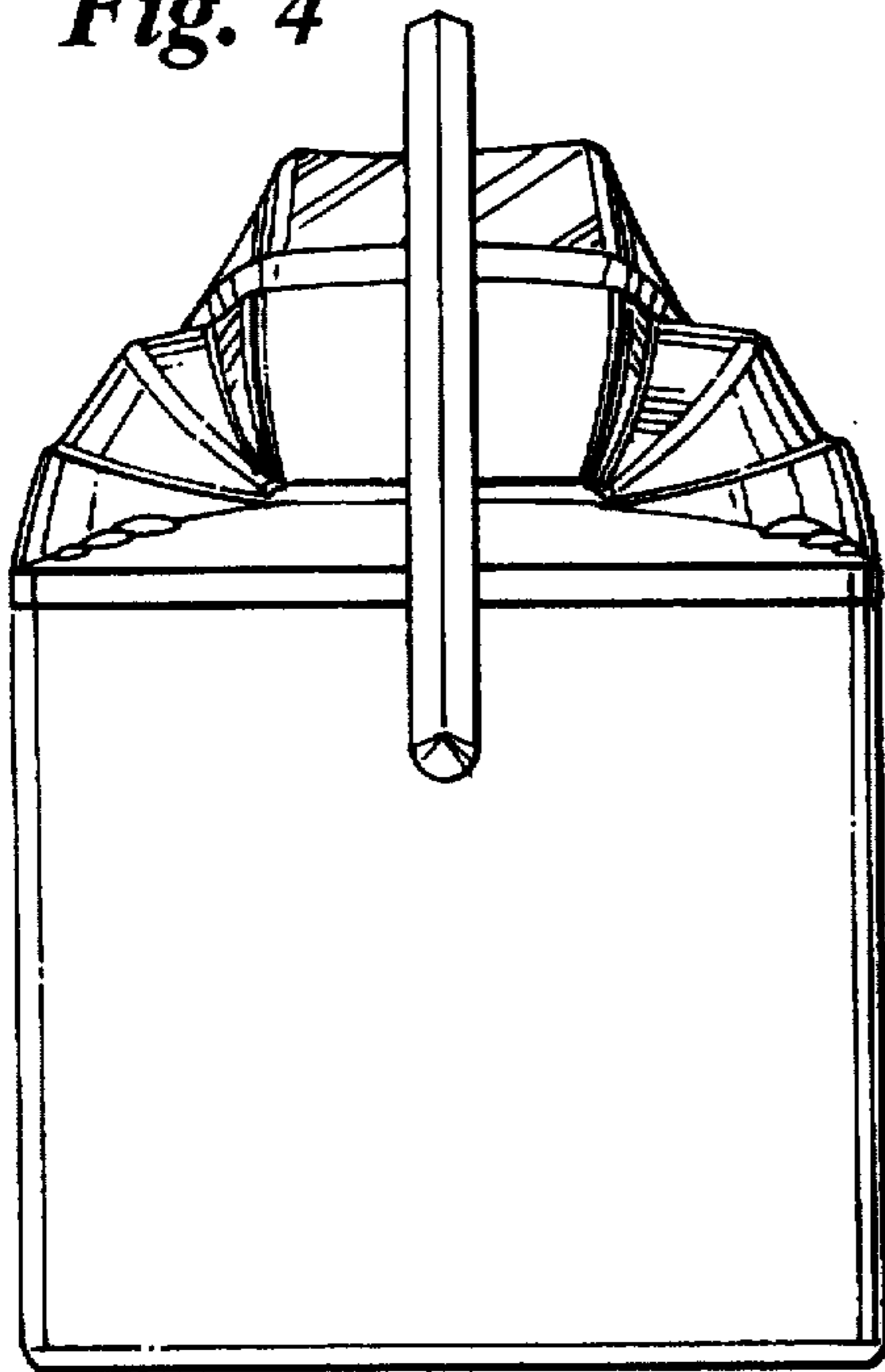


Fig. 5

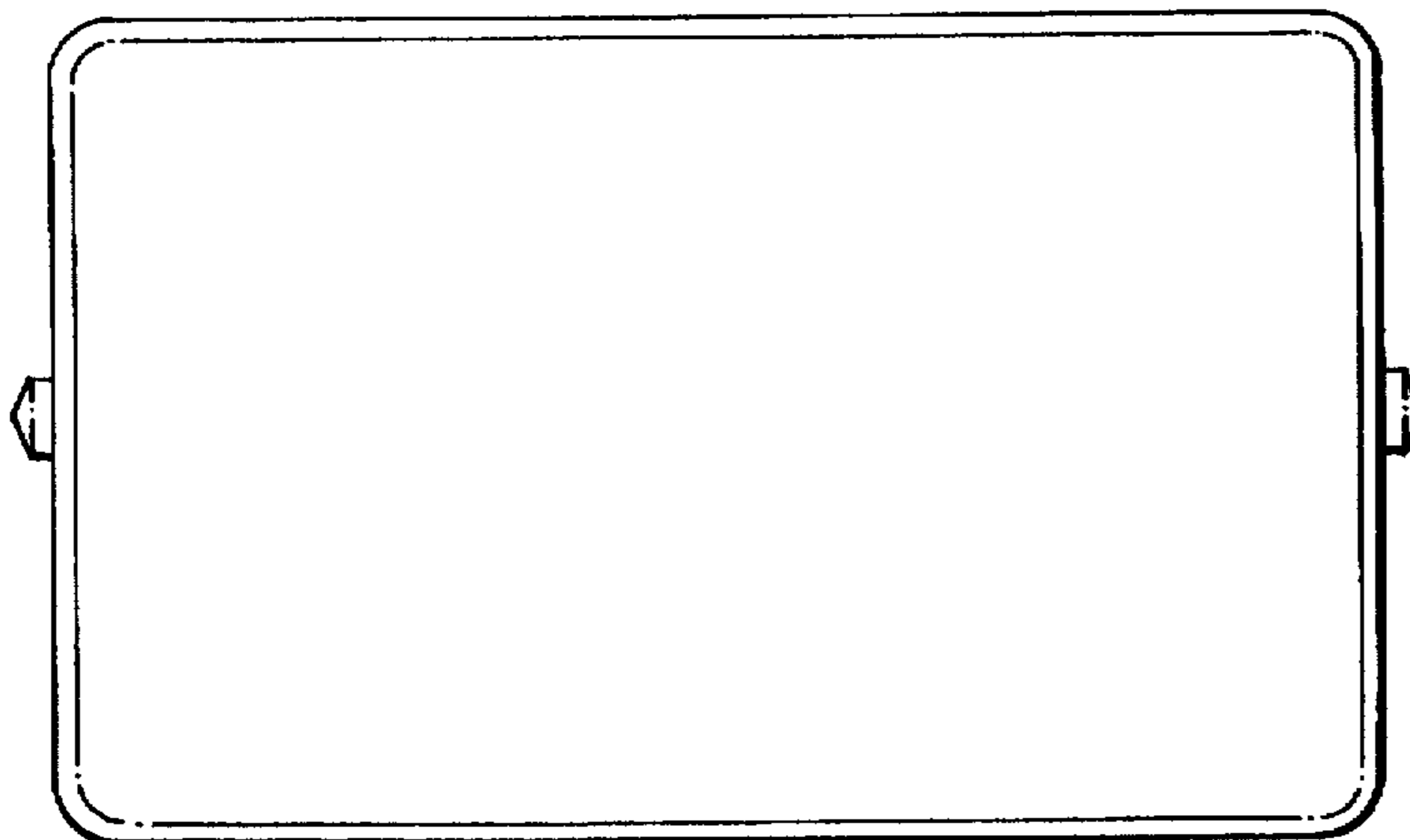
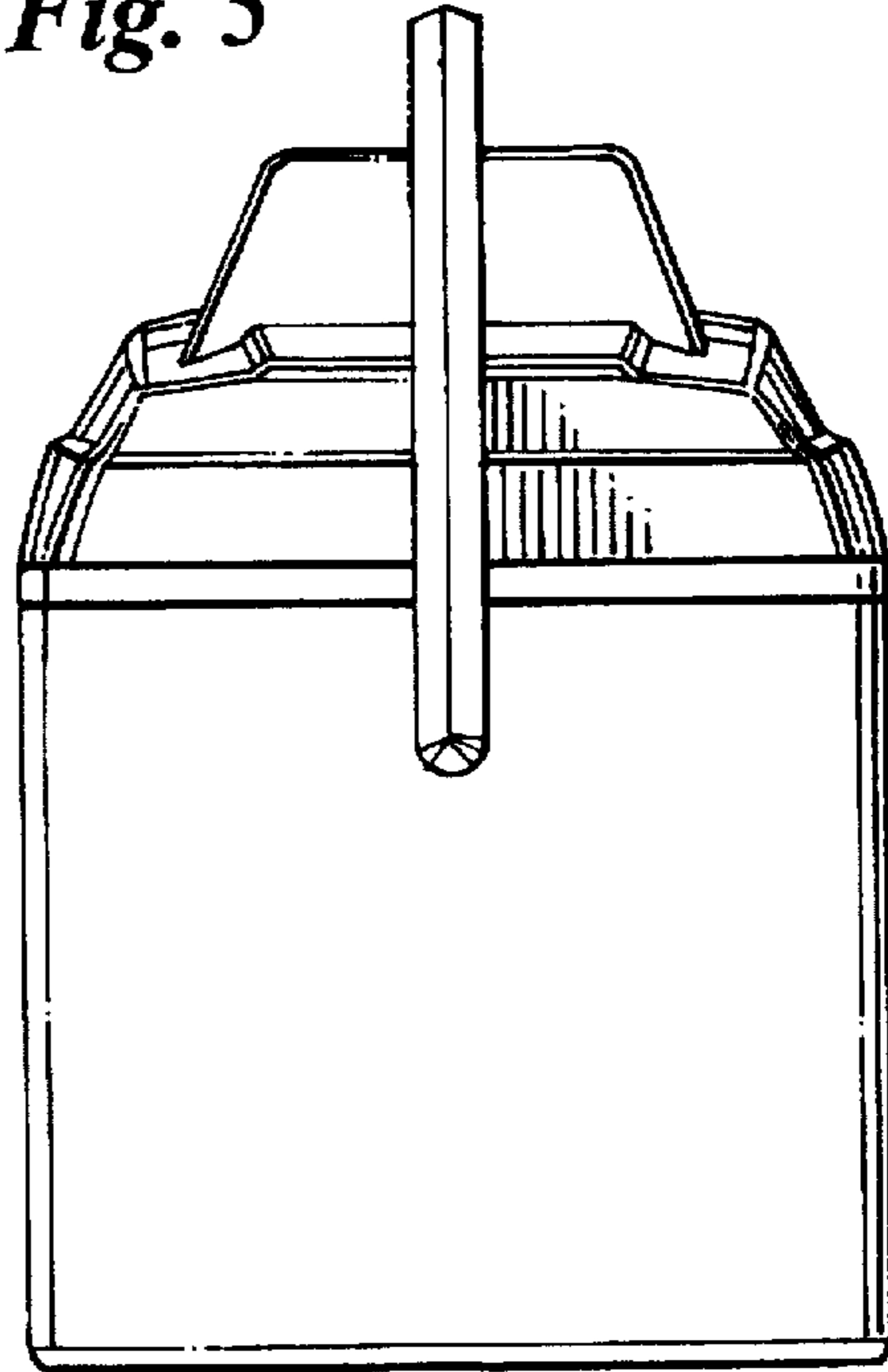


Fig. 6