



US00D386640S

# United States Patent [19]

[11] Patent Number: **Des. 386,640**

Wirt et al.

[45] Date of Patent: **\*\*Nov. 25, 1997**

[54] **SUPPORT AND RESERVOIR ASSEMBLY FOR A PRODUCT DISPENSER**

3,197,081 7/1965 Midworth ..... 222/179  
3,203,597 8/1965 Birch ..... 222/179

[75] Inventors: **David F. Wirt, Prescott; Floyd L. Foslien, Troy Township, both of Wis.**

(List continued on next page.)

[73] Assignee: **Minnesota Mining and Manufacturing Company, St. Paul, Minn.**

### OTHER PUBLICATIONS

Architectural Record, Oct. 1957, p. 2, Tear Drop Soap Dispenser.

[\*\*] Term: **14 Years**

*Primary Examiner*—Brian N. Vinson  
*Attorney, Agent, or Firm*—Jeffrey J. Hohenshell; Walter N. Kirn; Gary L. Griswold

[21] Appl. No.: **56,095**

### [57] CLAIM

[22] Filed: **Jun. 21, 1996**

The ornamental design for a support and reservoir assembly for a product dispenser, as shown and described.

[51] LOC (6) Cl. .... **07-07**

### DESCRIPTION

[52] U.S. Cl. .... **D6/545**

[58] Field of Search ..... D6/542-545; 222/92, 222/173, 180-181, 185

FIG. 1 is a perspective view of a support and reservoir assembly for a product dispenser showing our new design; FIG. 2 is a front view thereof;

### [56] References Cited

#### U.S. PATENT DOCUMENTS

D. 177,457	4/1956	Cortner	.....	D6/545
D. 206,398	12/1966	Watson	.....	D6/545
D. 208,048	7/1967	Coleman	.....	D6/545
D. 265,616	8/1982	Fischer et al.	.....	D6/545
D. 304,548	11/1989	Freitas	.....	D9/373
1,174,674	3/1916	Byer	.	
1,219,364	3/1917	Wise	.	
1,736,392	11/1929	Coss et al.	.	
1,949,315	2/1934	Levernier	.....	221/94
2,283,529	5/1942	Bobrick	.....	221/102
2,537,415	1/1951	Loeb et al.	.....	222/340
2,616,095	11/1952	Stuckey	.....	4/166
2,824,676	2/1958	Still et al.	.....	222/442
3,072,297	1/1963	Lippman et al.	.....	222/181
3,090,528	5/1963	Ellis	.....	222/179

FIG. 3 is a rear view thereof with the broken lines showing a part of the dispenser for illustrative purposes only and forming no part of the illustrated design;

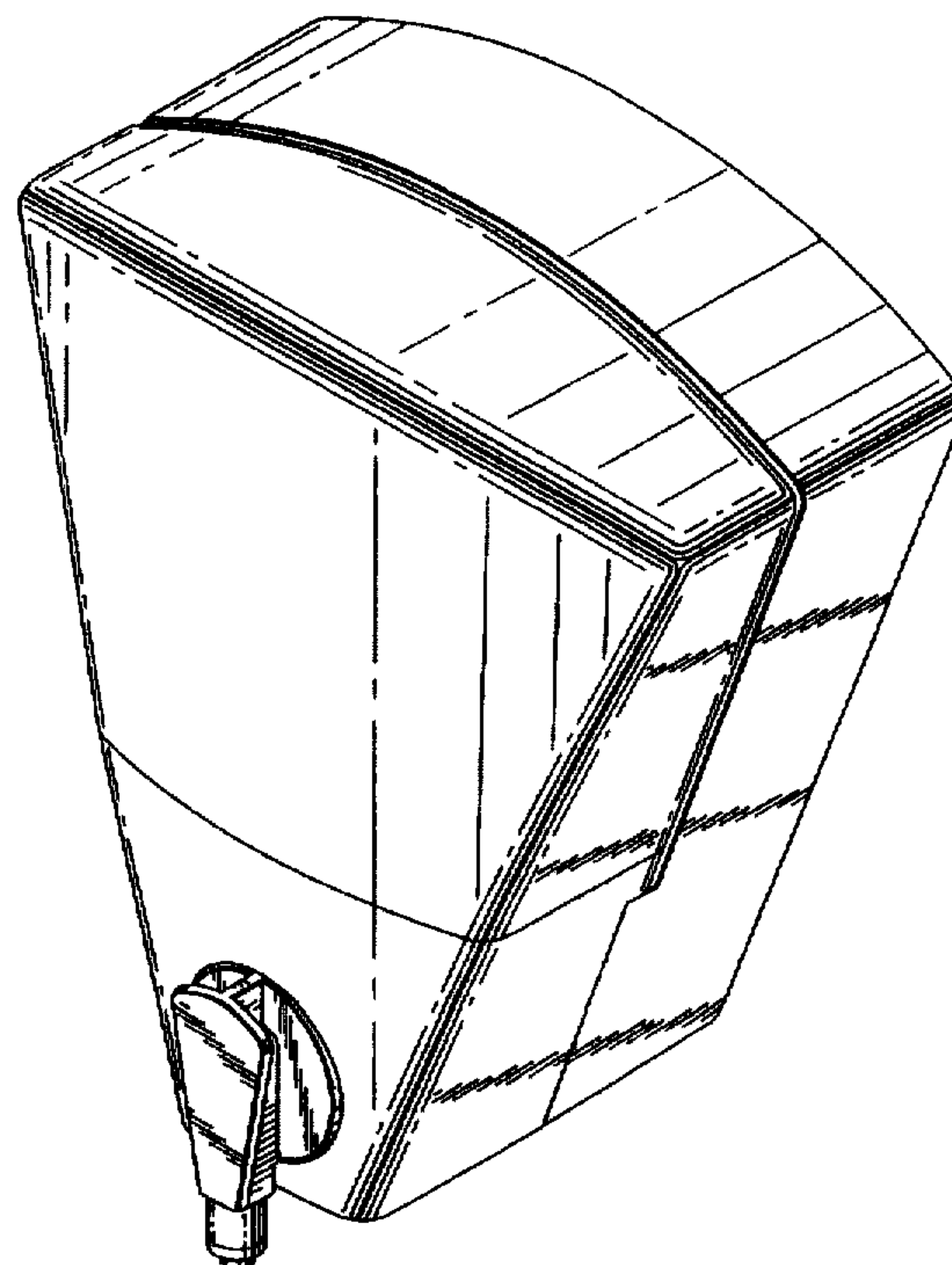
FIG. 4 is a right side view thereof, the left side view being a mirror image thereof with the broken lines showing a part of the dispenser for illustrative purposes only and forming no part of the illustrated design;

FIG. 5 is a top view thereof;

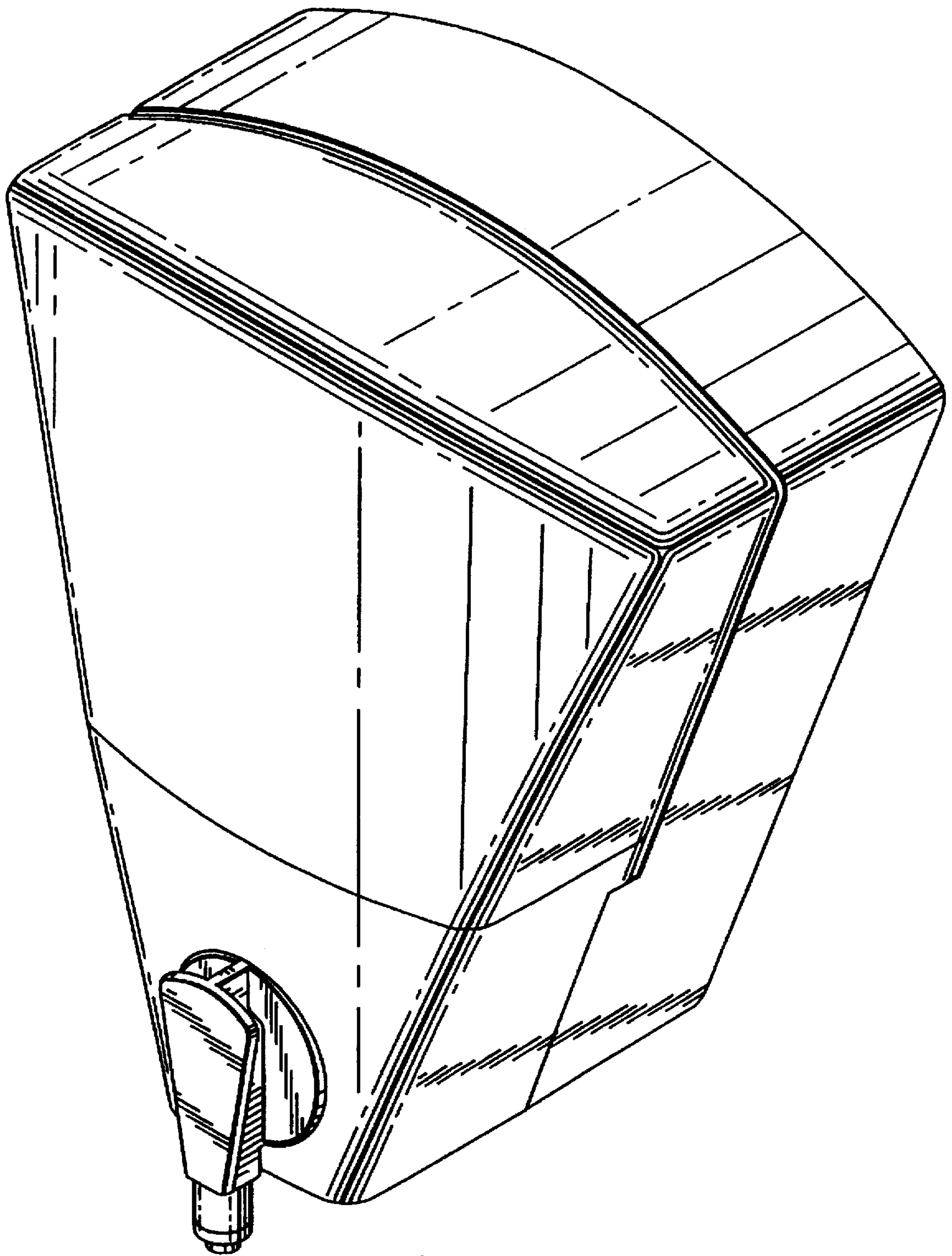
FIG. 6 is a bottom view thereof with the broken lines showing a part of the dispenser for illustrative purposes only and forming no part of the illustrated design; and,

FIG. 7 is a perspective view of the support and reservoir assembly for a product dispenser with broken lines showing a foot actuator and tubing for illustrative purposes only and forming no part of the illustrated design.

**1 Claim, 6 Drawing Sheets**

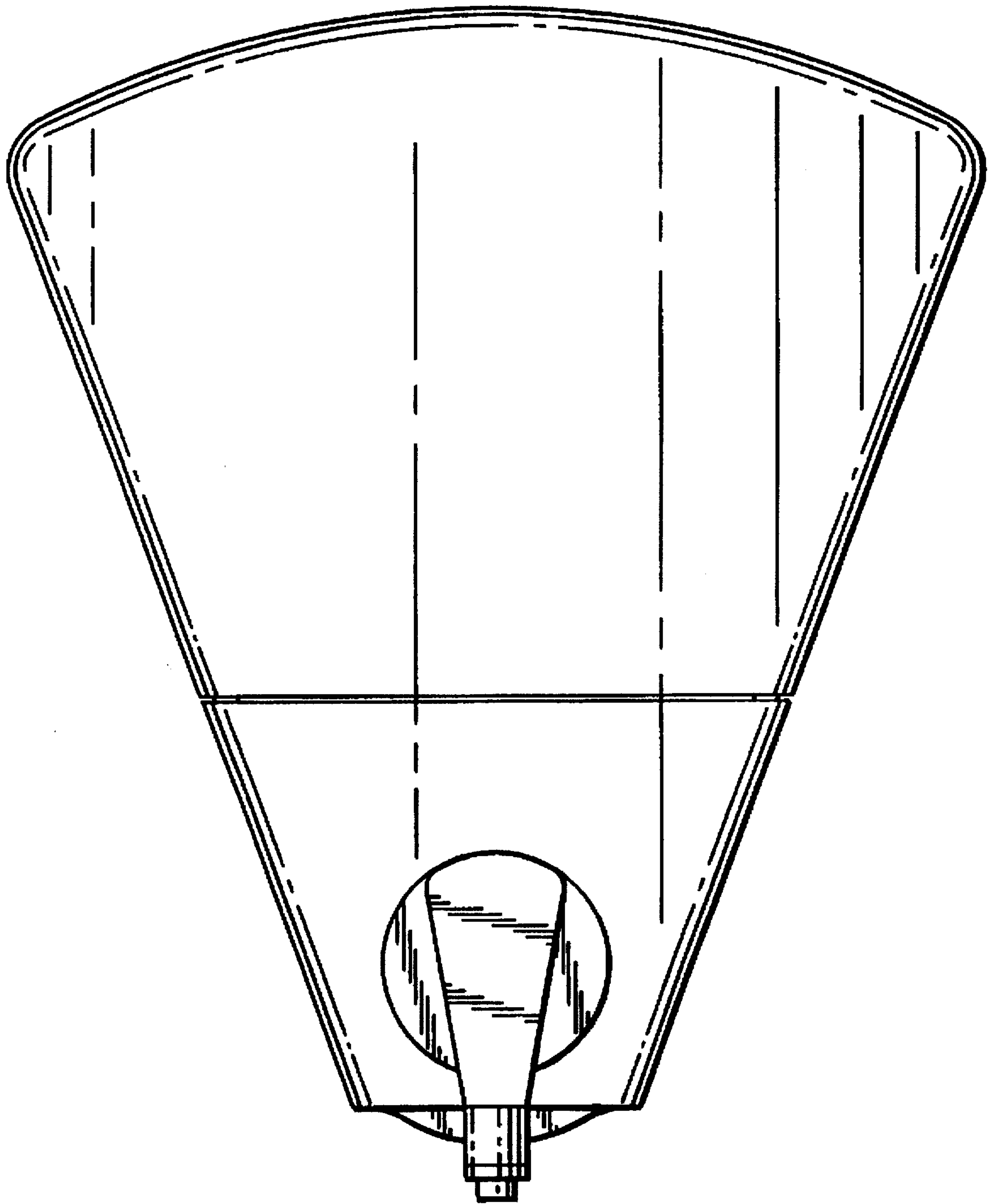


U.S. PATENT DOCUMENTS							
3,233,787	2/1966	Ross .....	222/179	4,792,064	12/1988	Loesel, Jr. et al. ....	222/181
3,381,856	5/1968	Hrdina .....	222/48	4,793,521	12/1988	Steiner .....	222/156
3,741,439	6/1973	Vehrs .....	222/103	4,838,460	6/1989	Moore et al. ....	222/153
3,870,201	3/1975	Asplund .....	222/207	4,895,276	1/1990	Maldonado .....	222/144
3,897,890	8/1975	Jente .....	222/179	4,921,131	5/1990	Binderbauer et al. ....	222/52
3,977,569	8/1976	Scholle .....	222/105	4,930,670	6/1990	Kuo .....	222/321
4,130,224	12/1978	Norman et al. ....	222/185	4,946,072	8/1990	Albert et al. ....	222/105
4,489,857	12/1984	Baflas .....	222/179	4,967,935	11/1990	Celest .....	222/63
4,534,669	8/1985	Heck et al. ....	401/134	5,100,027	3/1992	Gueret .....	222/105
4,546,904	10/1985	Franssanito .....	222/185	5,156,300	10/1992	Spahni et al. ....	222/105
4,564,127	1/1986	Garabedian et al. ....	222/96	5,222,633	6/1993	Blake .....	222/179
4,586,635	5/1986	Collins, Jr. ....	222/94	5,234,132	8/1993	Bachand et al. ....	222/182
4,615,476	10/1986	Hobbs et al. ....	222/153	5,253,788	10/1993	Vandromme et al. ....	222/321
4,645,094	2/1987	Acklin et al. ....	222/52	5,287,996	2/1994	Uhlig .....	222/189
4,667,854	5/1987	McDermott et al. ....	222/101	5,301,852	4/1994	Mancini .....	222/321
4,671,428	6/1987	Spatz .....	222/105	5,312,018	5/1994	Evezich .....	222/95
4,705,195	11/1987	Heck .....	222/207	5,332,129	7/1994	Brattoli et al. ....	222/321

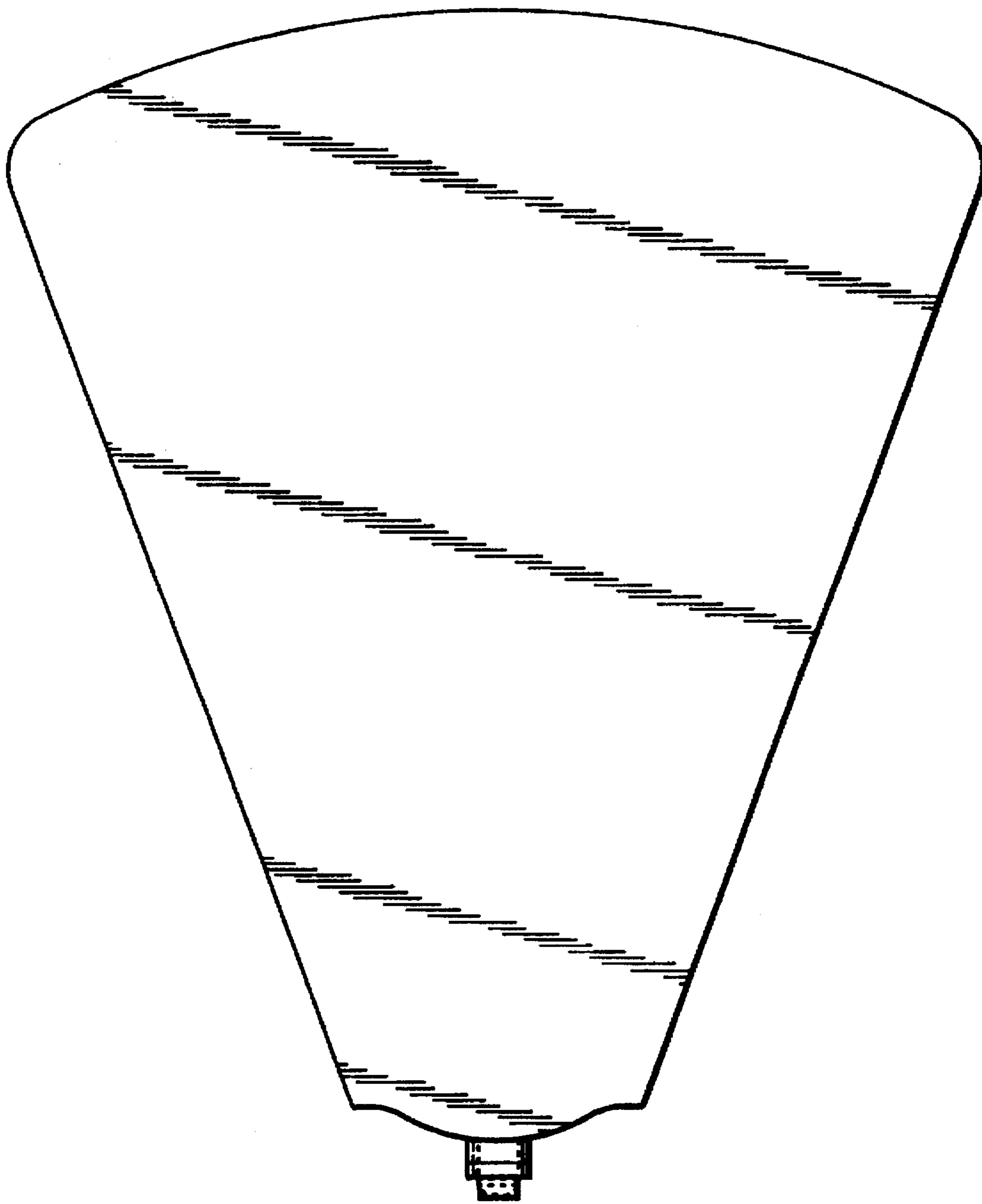


**Fig. 1**

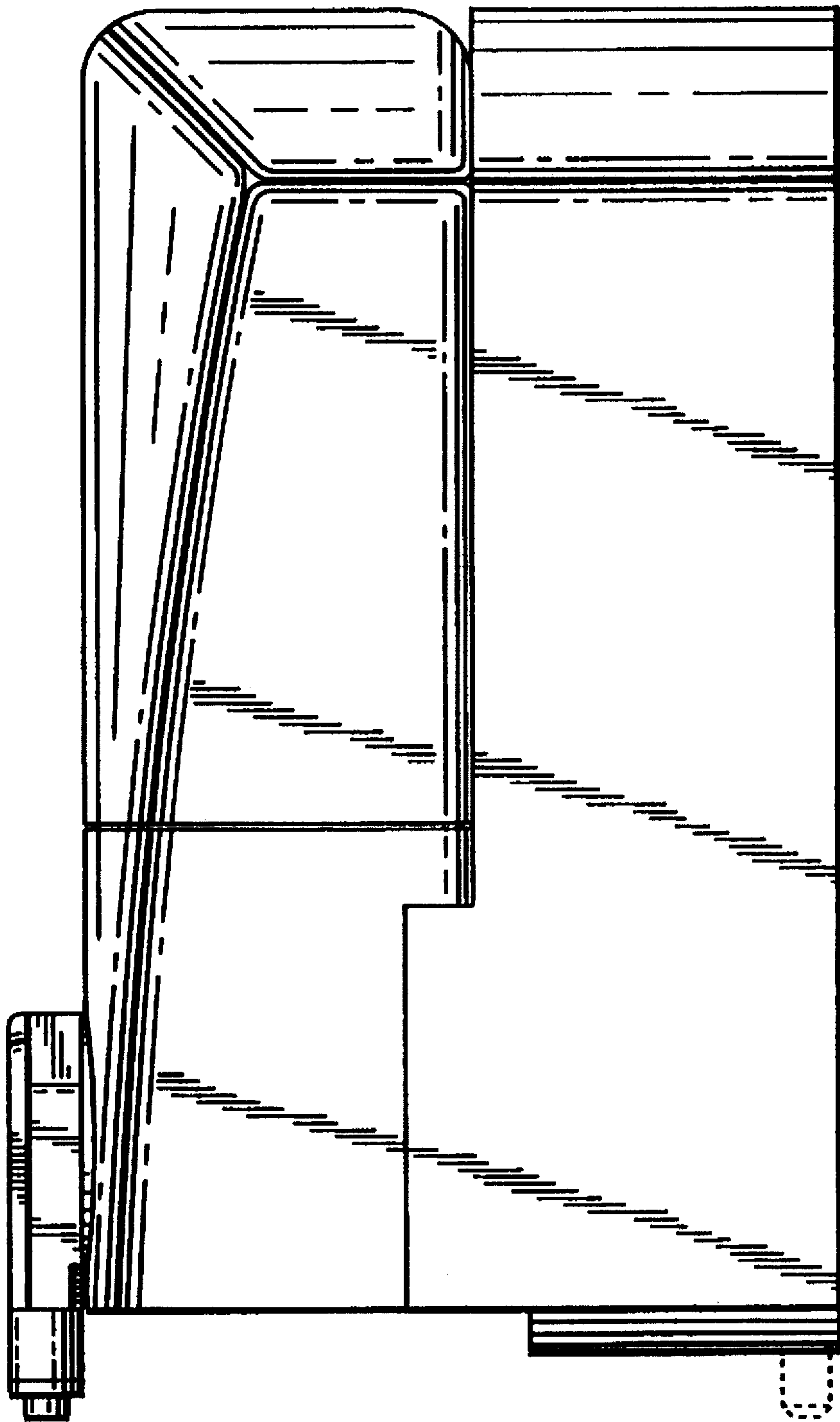




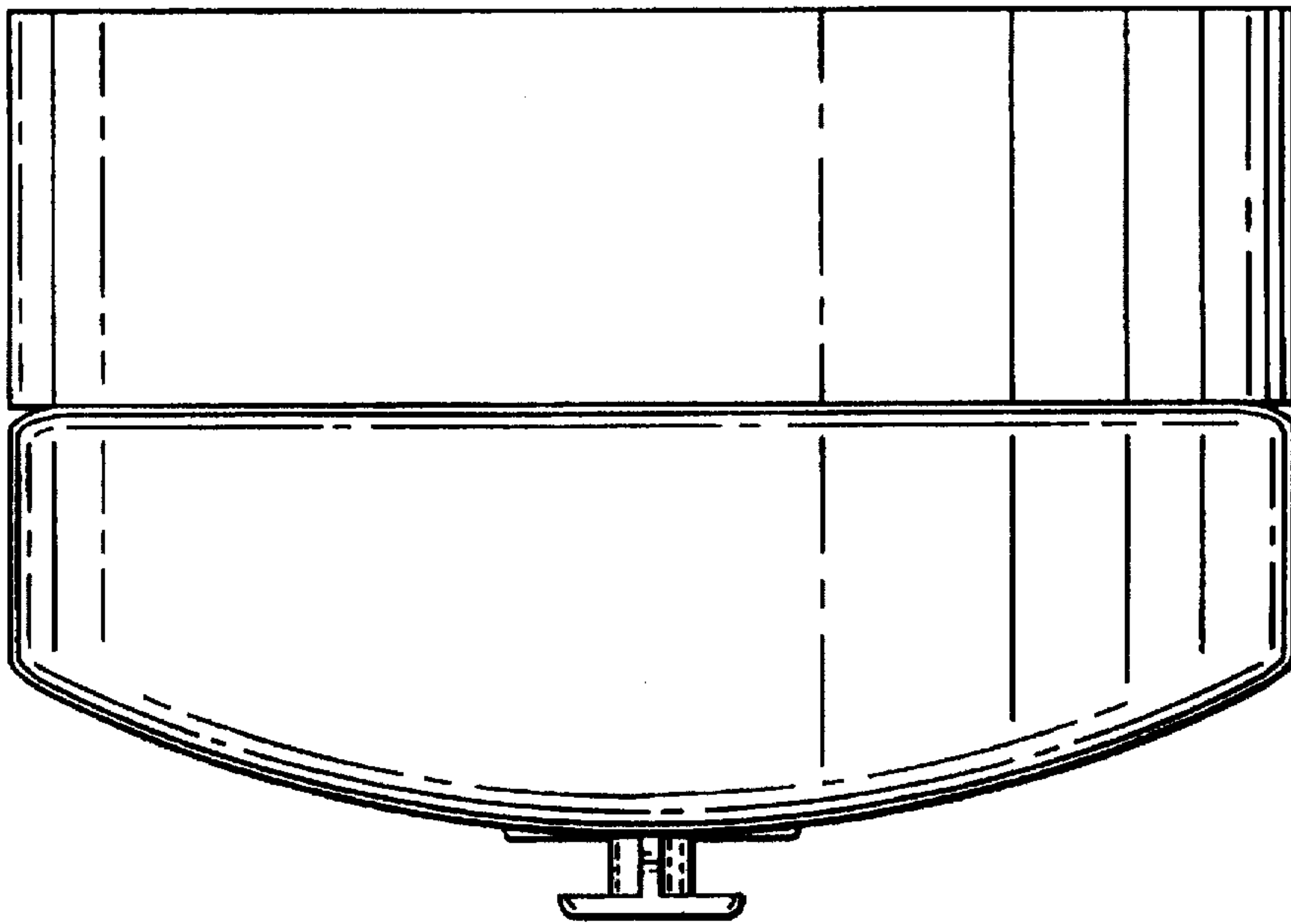
**Fig. 2**



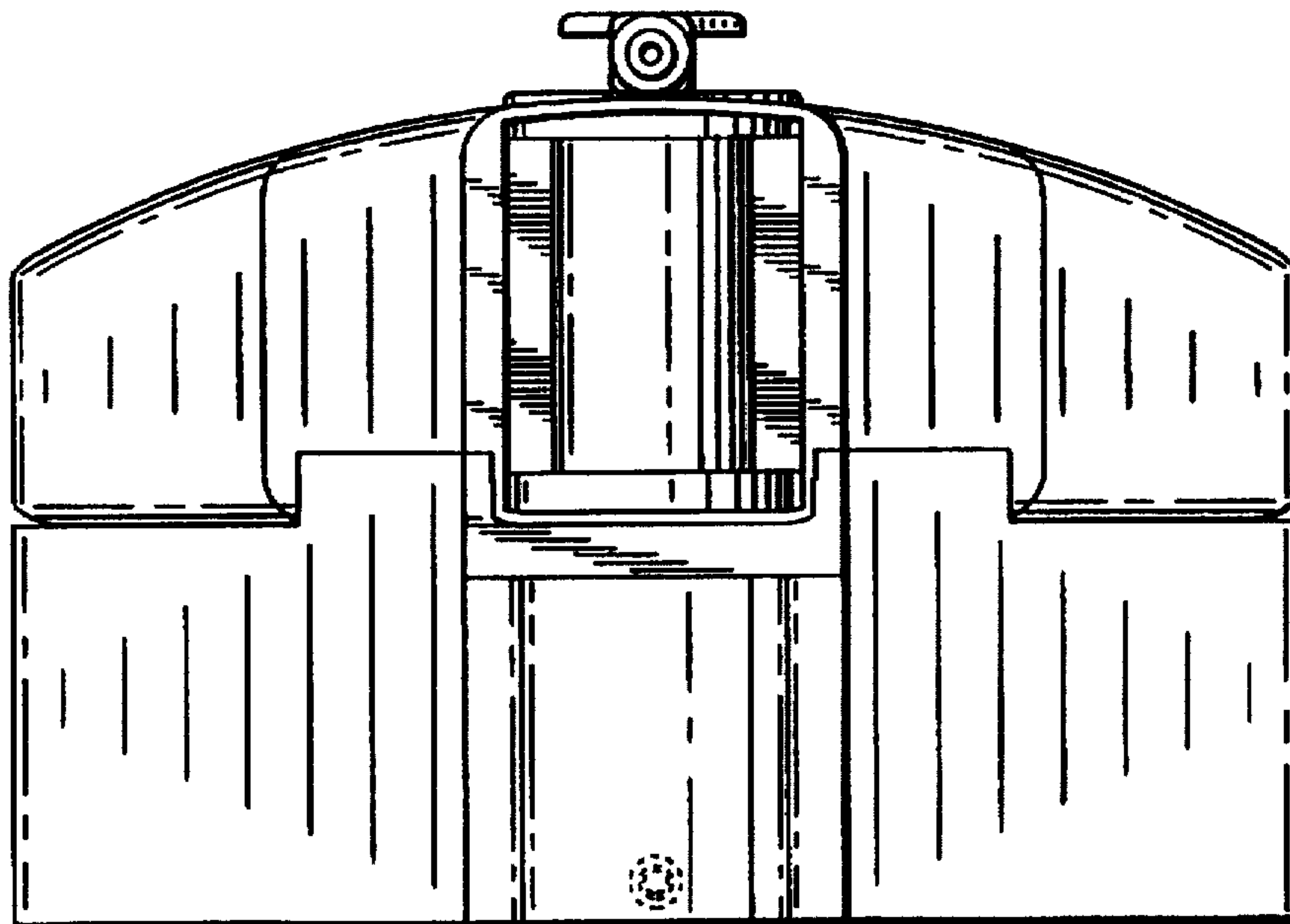
**Fig. 3**



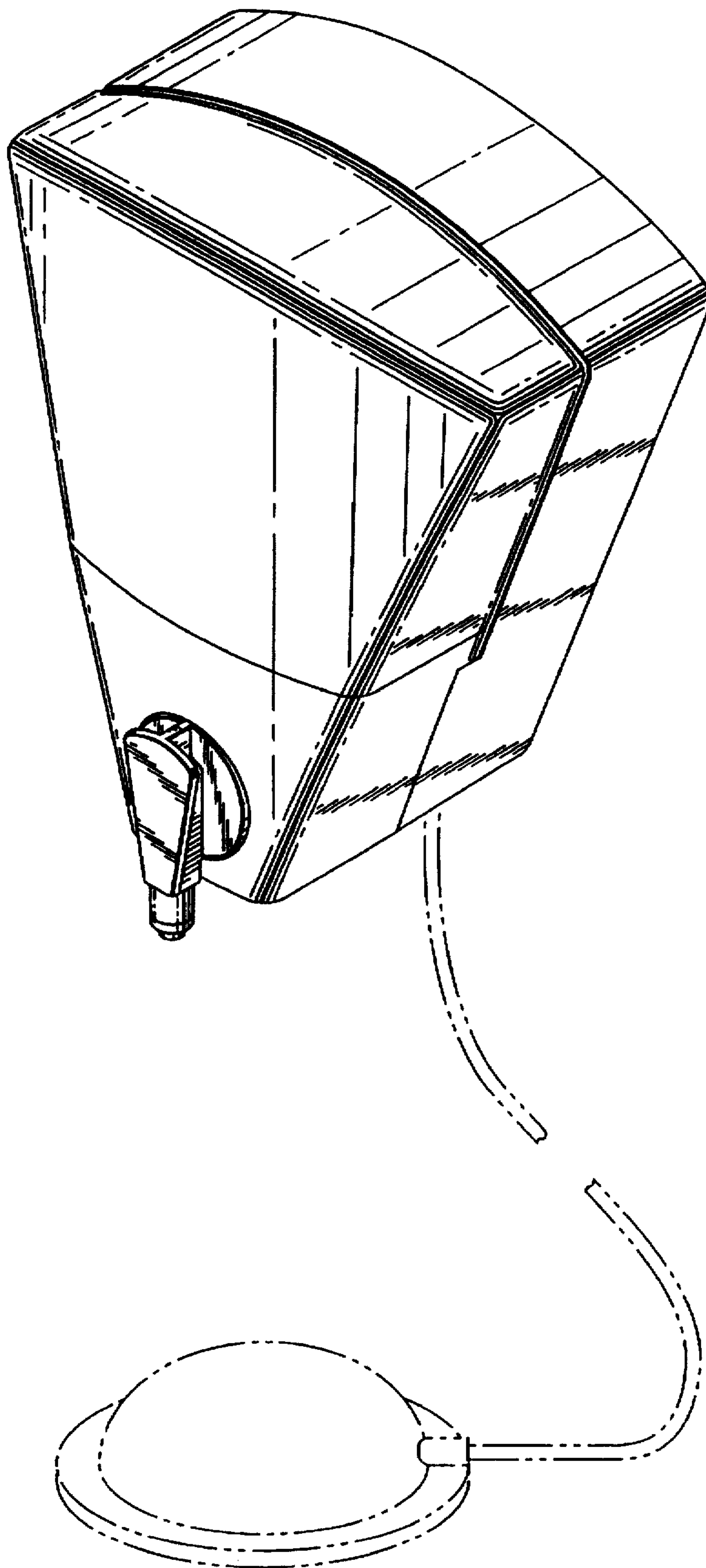
**Fig. 4**



**Fig. 5**



**Fig. 6**



**Fig. 7**