



US00D386638S

# United States Patent [19]

[11] Patent Number: **Des. 386,638**

Fong

[45] Date of Patent: **\*\*Nov. 25, 1997**

[54] **DISPENSER FOR ROLLED MATERIAL**

2,392,996	1/1946	Poinier .....	242/597.5
3,346,208	10/1967	Hoffman et al. ....	242/597.5
3,398,908	8/1968	Thompson .....	242/597.5
3,482,796	12/1969	Tucker .....	242/597.5
4,218,027	8/1980	Pool .....	242/597.4

[75] Inventor: **Daniel P. A. Fong**, North Attleboro, Mass.

[73] Assignee: **Country Studio, Inc.**, North Attleboro, Mass.

[\*\*] Term: **14 Years**

### FOREIGN PATENT DOCUMENTS

1217477	5/1960	France .....	242/597.5
---------	--------	--------------	-----------

[21] Appl. No.: **62,430**

*Primary Examiner*—Brian N. Vinson  
*Attorney, Agent, or Firm*—John A. Haug

[22] Filed: **Nov. 4, 1996**

### [57] CLAIM

[51] **LOC (6) Cl.** ..... **07-07**

The ornamental design for a dispenser for rolled material, as shown.

[52] **U.S. Cl.** ..... **D6/518**

[58] **Field of Search** ..... D6/518-523; 242/570, 242/590, 597, 597.4, 597.5; 312/34.8

### DESCRIPTION

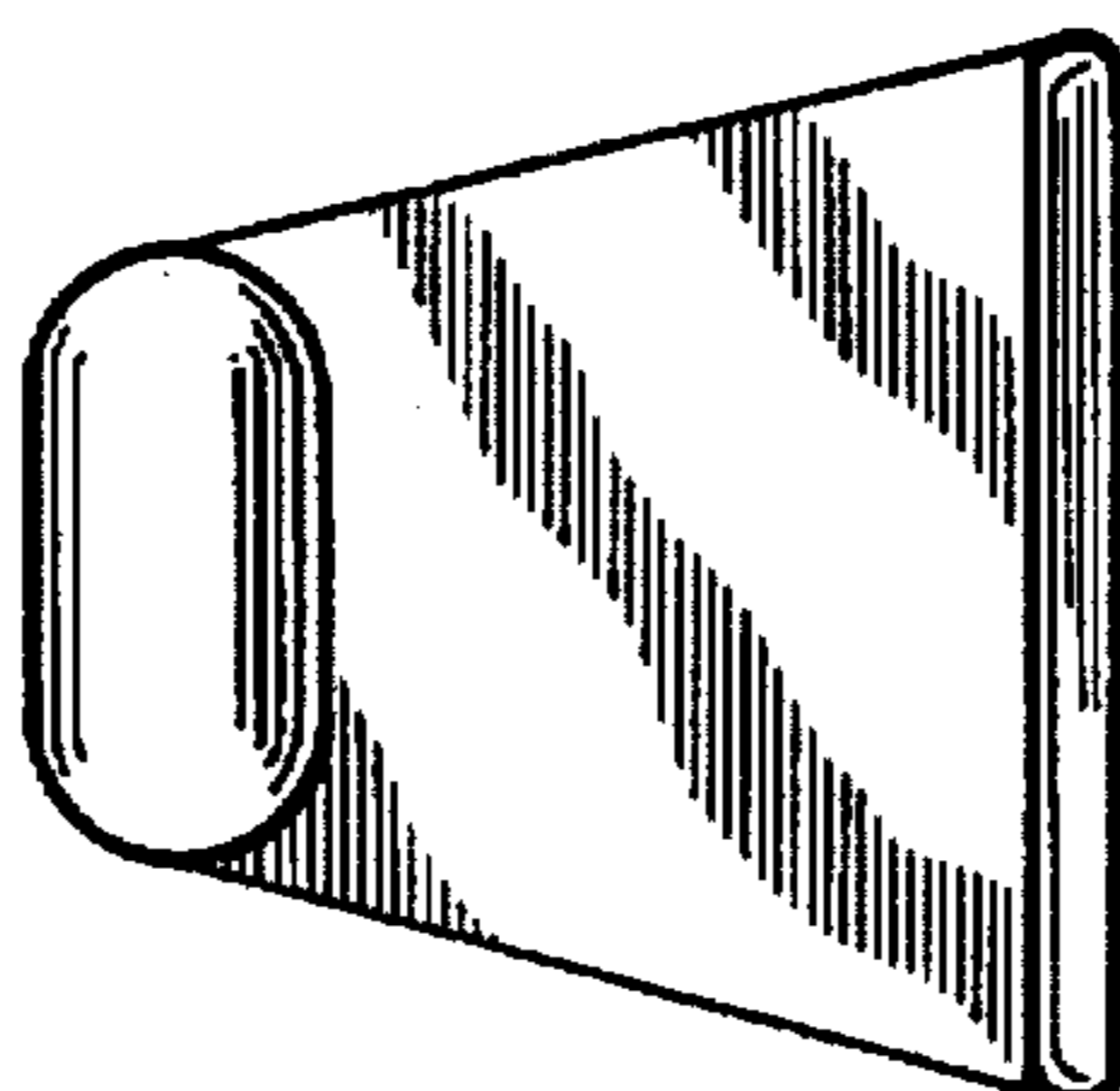
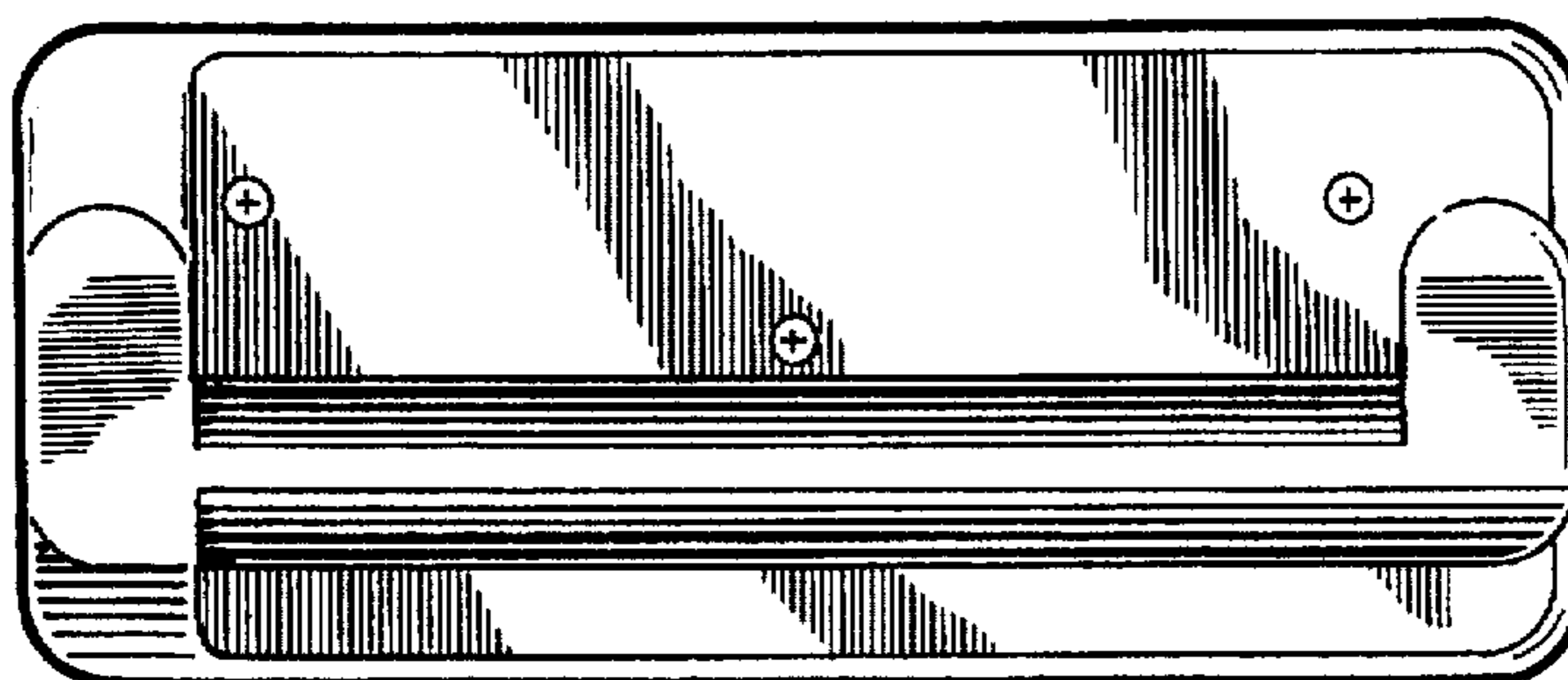
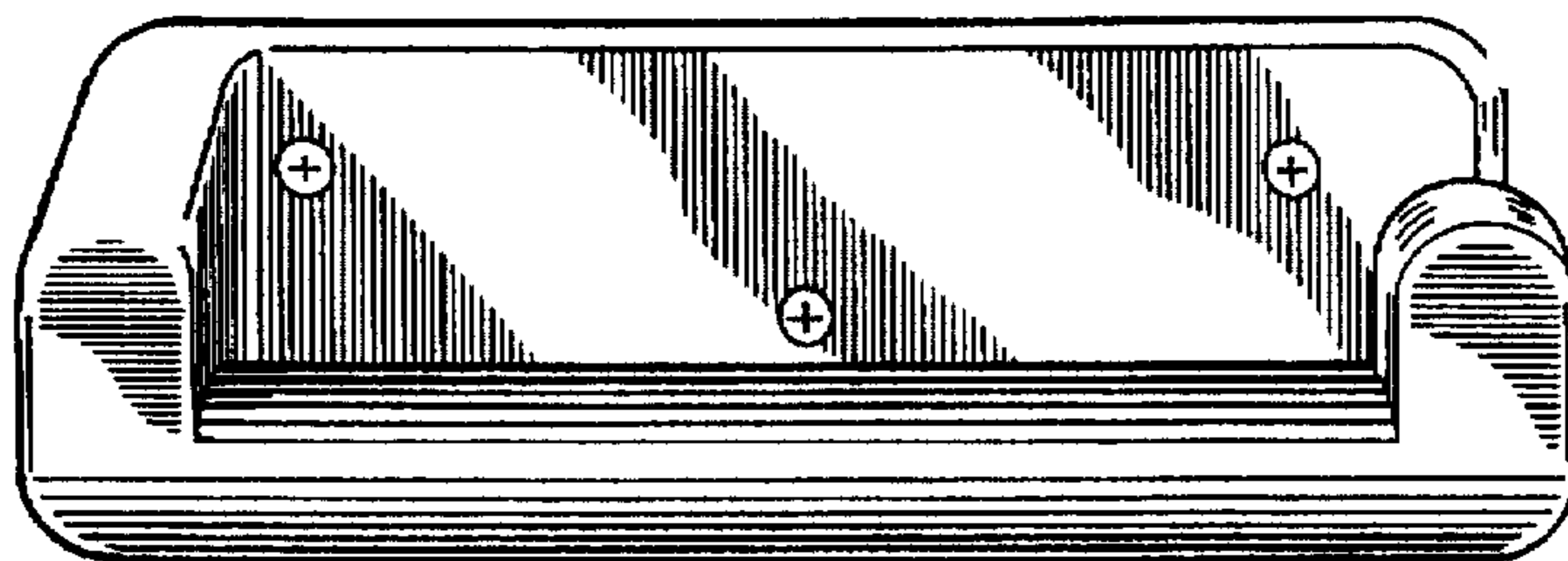
### [56] References Cited

FIG. 1 is a perspective view taken from the front of a dispenser for rolled material showing my new design; FIG. 2 is a front elevational view thereof; FIG. 3 is a top plan view thereof; FIG. 4 is a left elevational view thereof; FIG. 5 is a right elevational view thereof; and, FIG. 6 is a rear elevational view thereof.

#### U.S. PATENT DOCUMENTS

D. 155,897	11/1949	Huntington .....	242/597.5
D. 254,413	3/1980	Pool .....	D6/523
D. 304,402	11/1989	Van Hoose .....	D6/523
D. 308,781	6/1990	Mintz .....	D6/523
1,687,819	10/1928	Worthington .....	242/597.5
2,240,629	5/1941	Smith .....	242/597

**1 Claim, 2 Drawing Sheets**



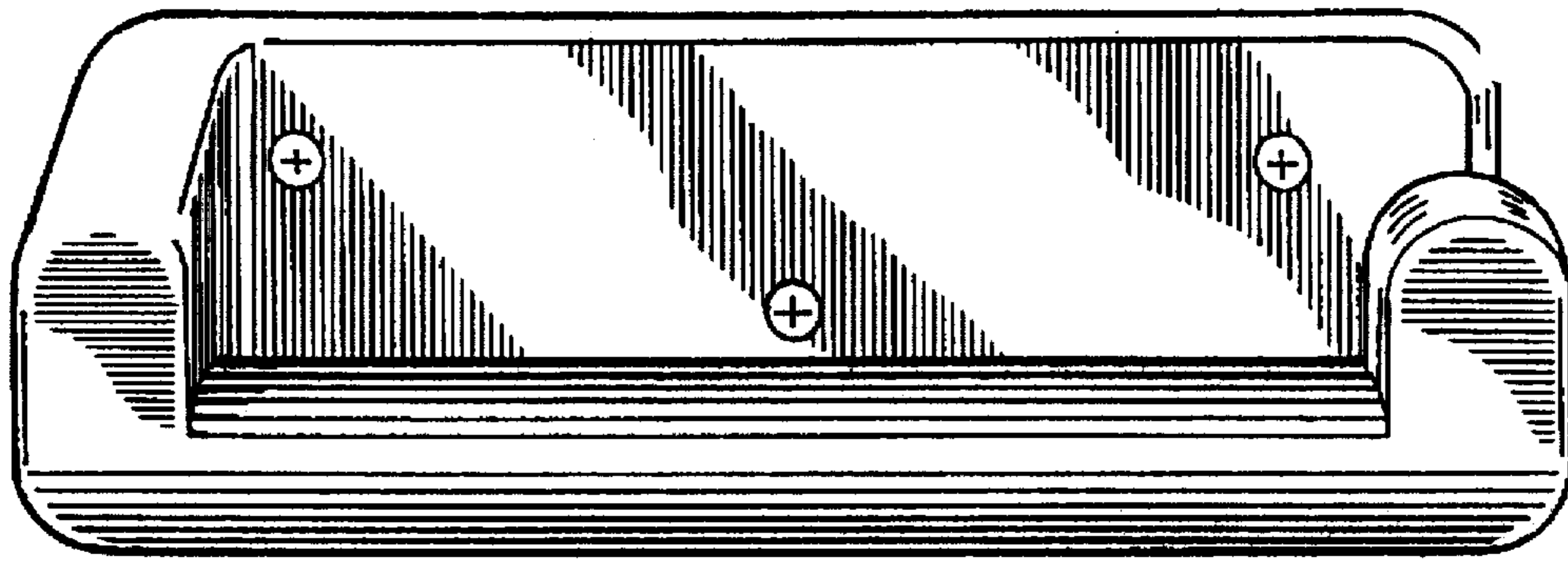


FIG. 1

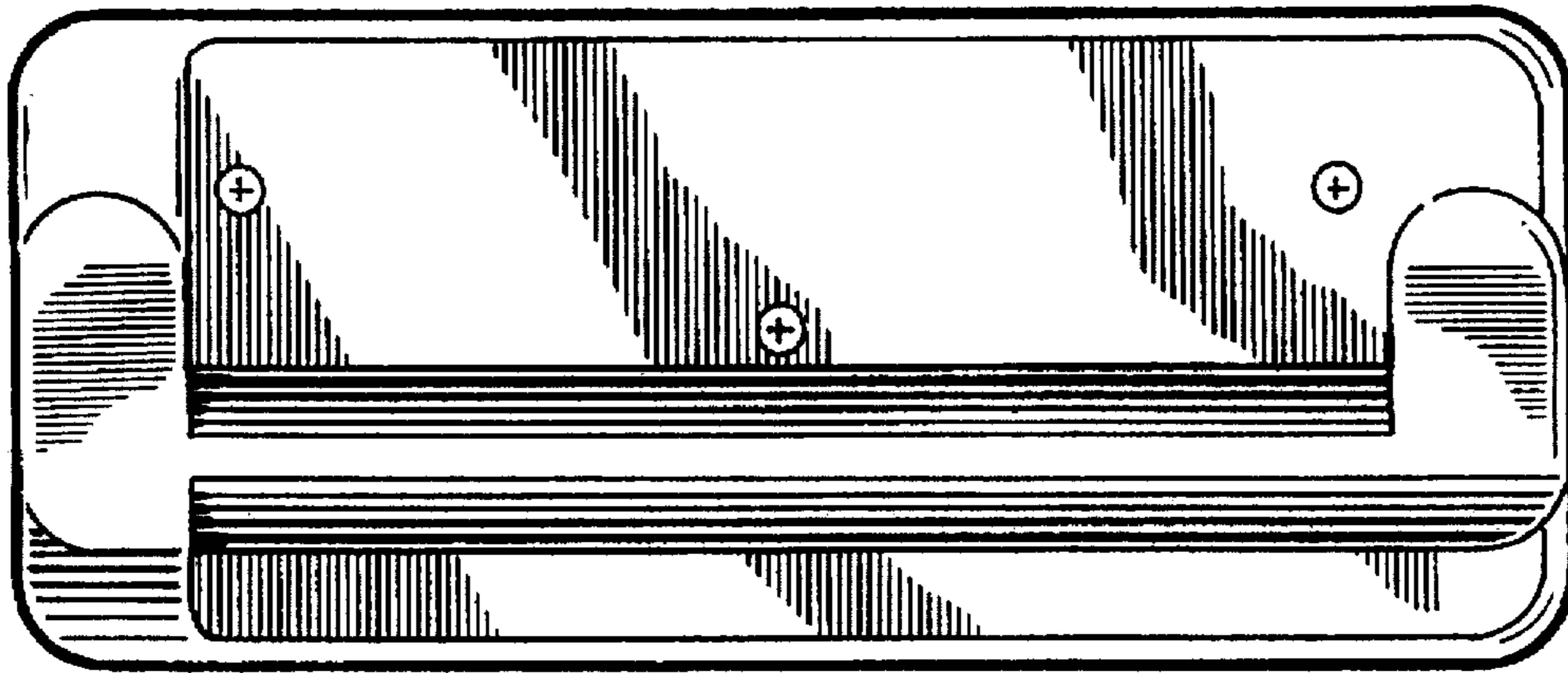


FIG. 2

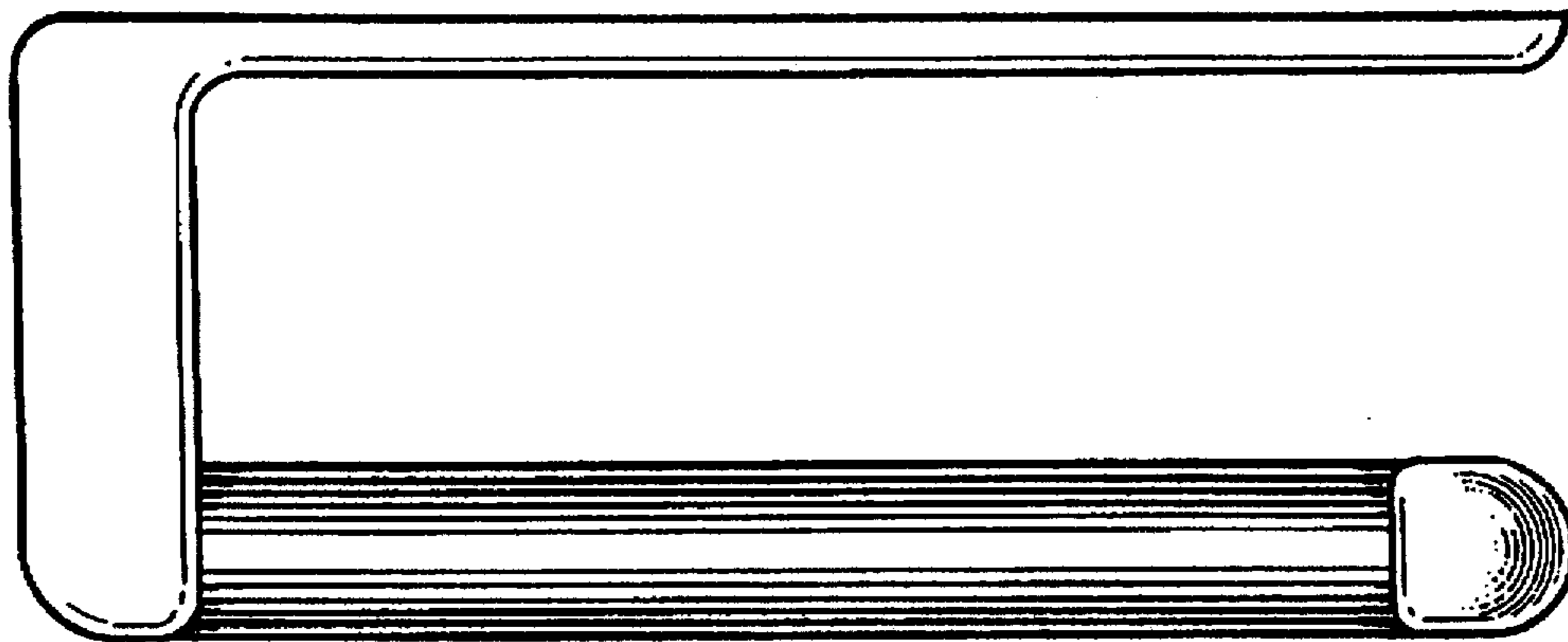


FIG. 3

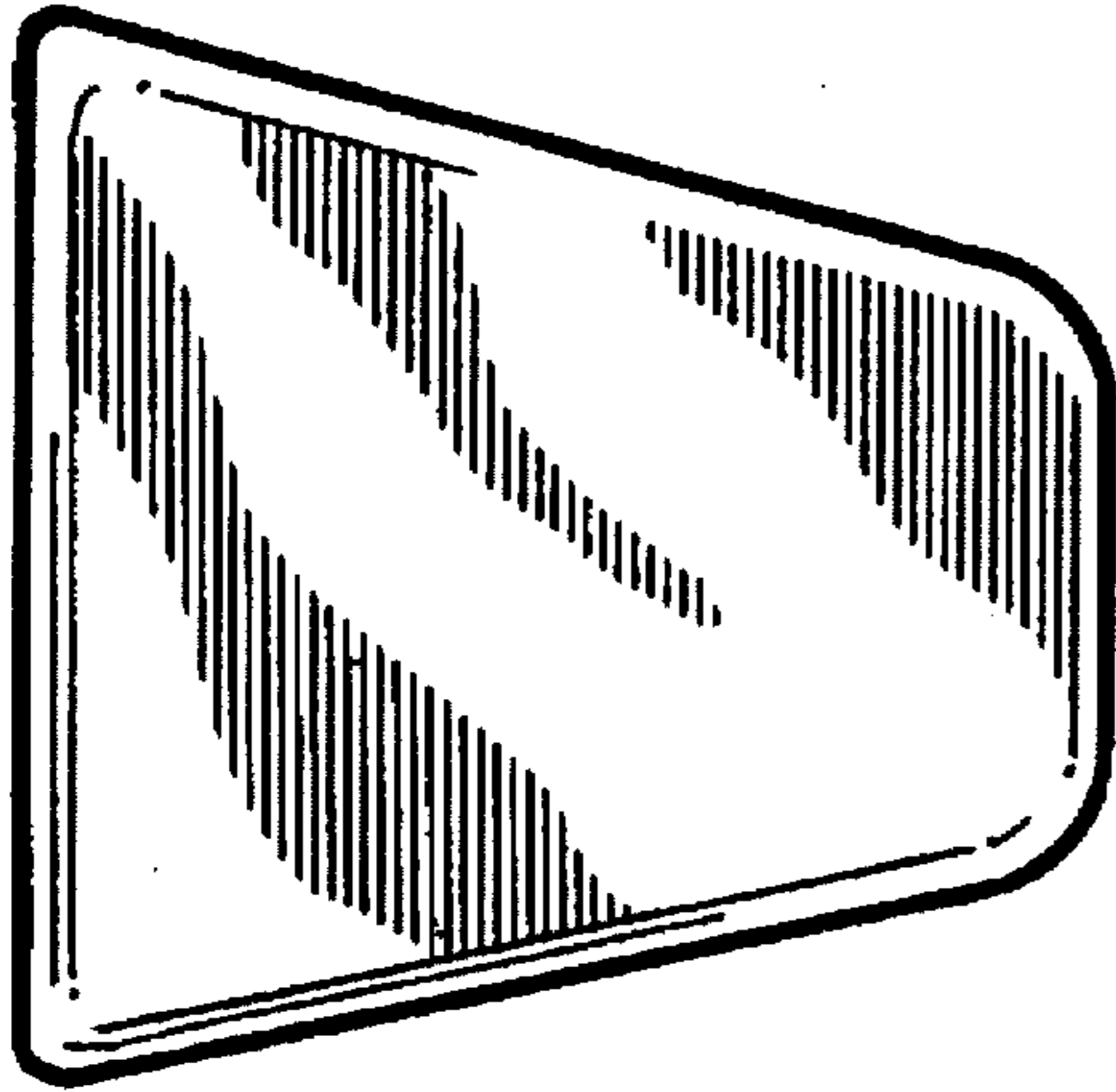


FIG. 4

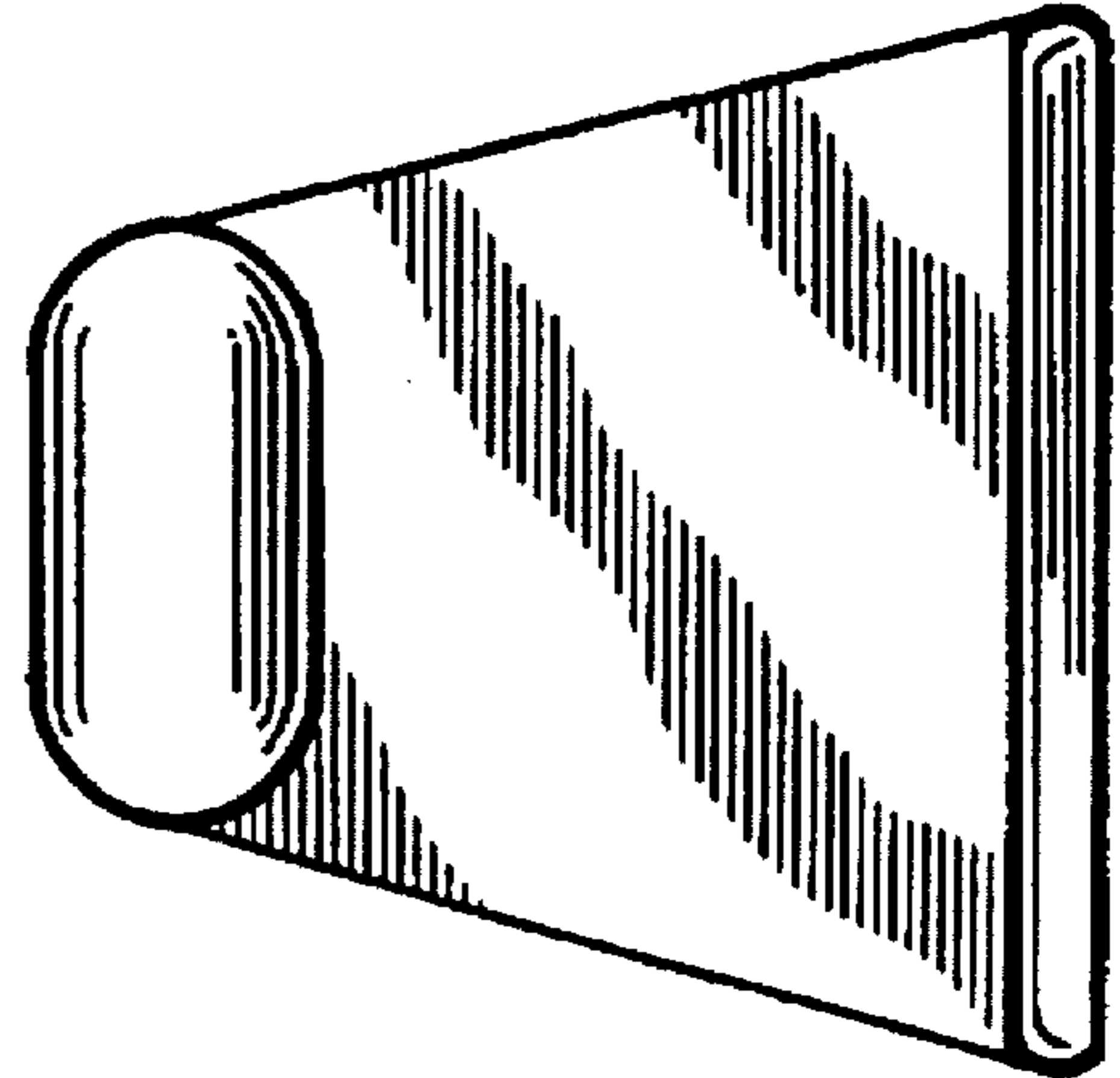


FIG. 5

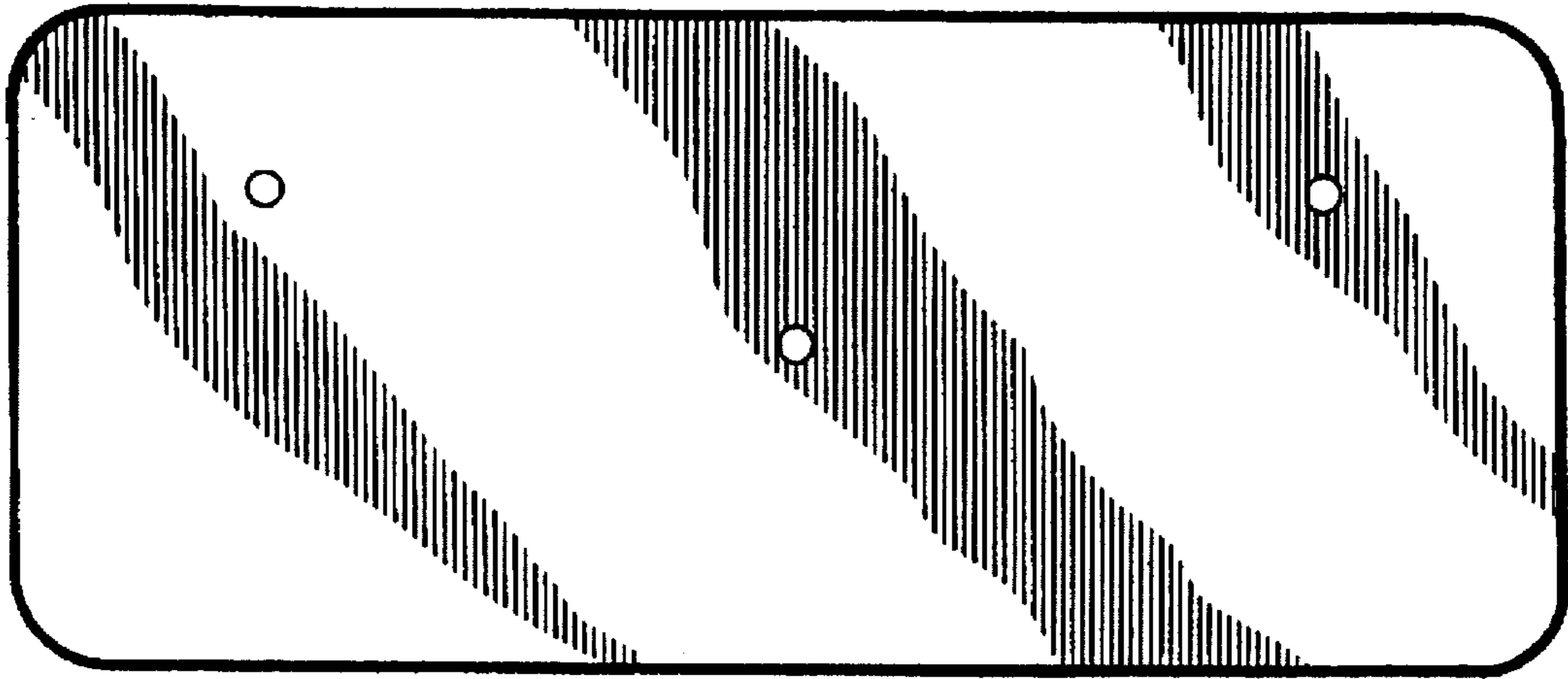


FIG. 6