



US00D386637S

United States Patent [19]

St-Pierre et al.

[11] Patent Number: **Des. 386,637**

[45] Date of Patent: ****Nov. 25, 1997**

[54] **THEFT PROOF PACK DISPENSER**

D. 369,708 5/1996 Breen D6/515
4,079,841 3/1978 Castel 211/50

[75] Inventors: **Yvon M. St-Pierre; Andre Dubeau; Francois Moreau; Roch Cyr**, all of Montreal, Canada

FOREIGN PATENT DOCUMENTS

69848 1/1992 Canada .

[73] Assignee: **Imperial Tobacco Limited**, Canada

Primary Examiner—Brian N. Vinson
Attorney, Agent, or Firm—Beveridge, DeGrandi, Weilacher & Young, L.L.P.

[**] Term: **14 Years**

[21] Appl. No.: **55,971**

[57] **CLAIM**

[22] Filed: **Jun. 19, 1996**

The ornamental design for a theft proof pack dispenser, as shown and described.

[30] **Foreign Application Priority Data**

DESCRIPTION

Feb. 6, 1996 [CA] Canada 1996-0236

FIG. 1 is a perspective view of the theft proof pack dispenser from the rear, one side and above;
FIG. 2 is an elevational view thereof as seen from the right side of FIG. 1;
FIG. 3 is an elevational thereof as seen from the left side of FIG. 1;
FIG. 4 is a rear elevation thereof;
FIG. 5 is a front elevation thereof;
FIG. 6 is a plan view thereof; and,
FIG. 7 is an underneath plan view thereof.

[51] **LOC (6) Cl.** **07-07**

[52] **U.S. Cl.** **D6/515**

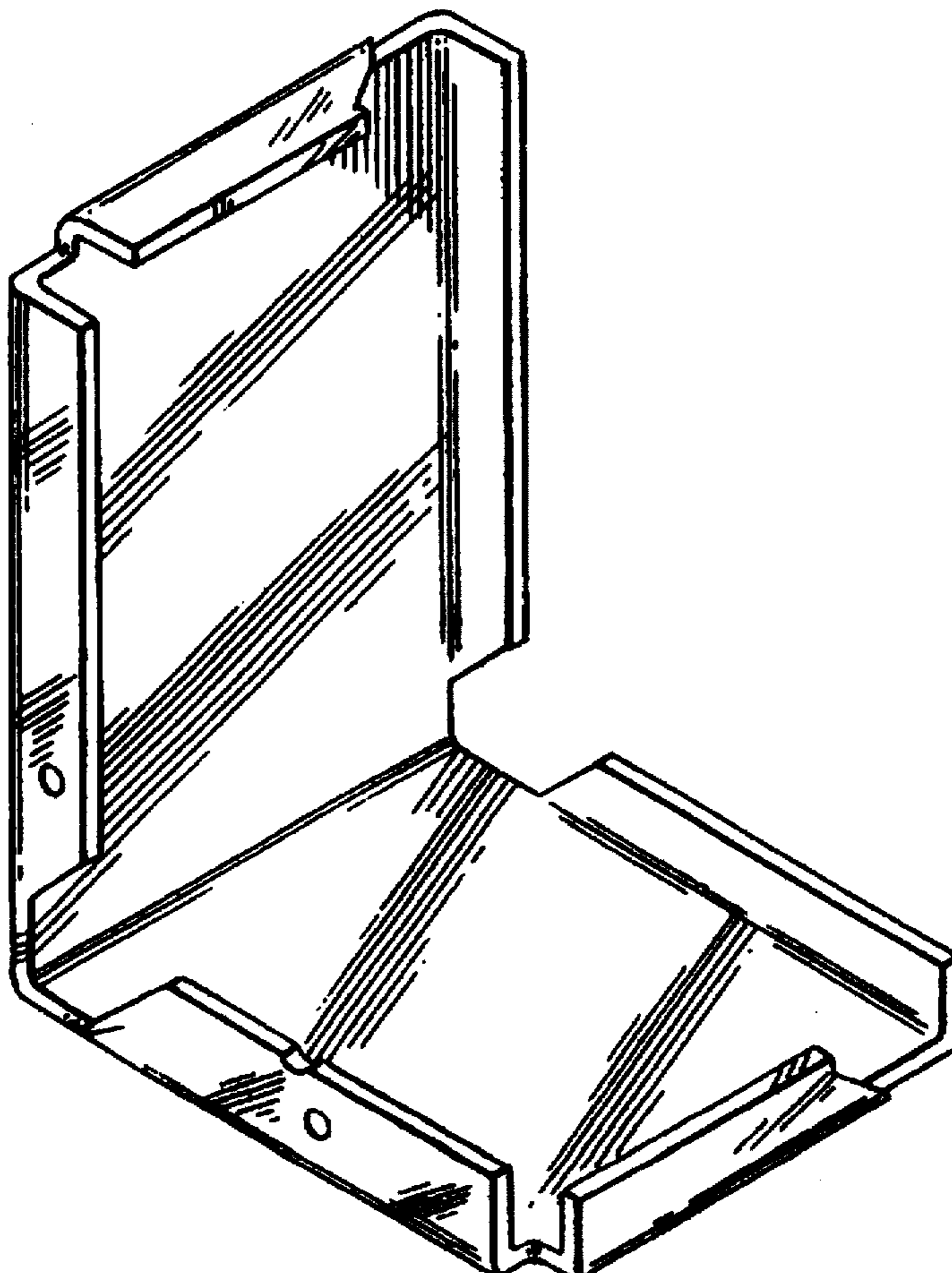
[58] **Field of Search** D6/515, 517; 211/10, 211/11, 87, 89; 221/22, 27, 45, 134, 282-286; 222/173, 180

[56] **References Cited**

U.S. PATENT DOCUMENTS

D. 330,136 10/1992 Rogers D6/517
D. 368,196 3/1996 Durocher D6/515 X

1 Claim, 3 Drawing Sheets



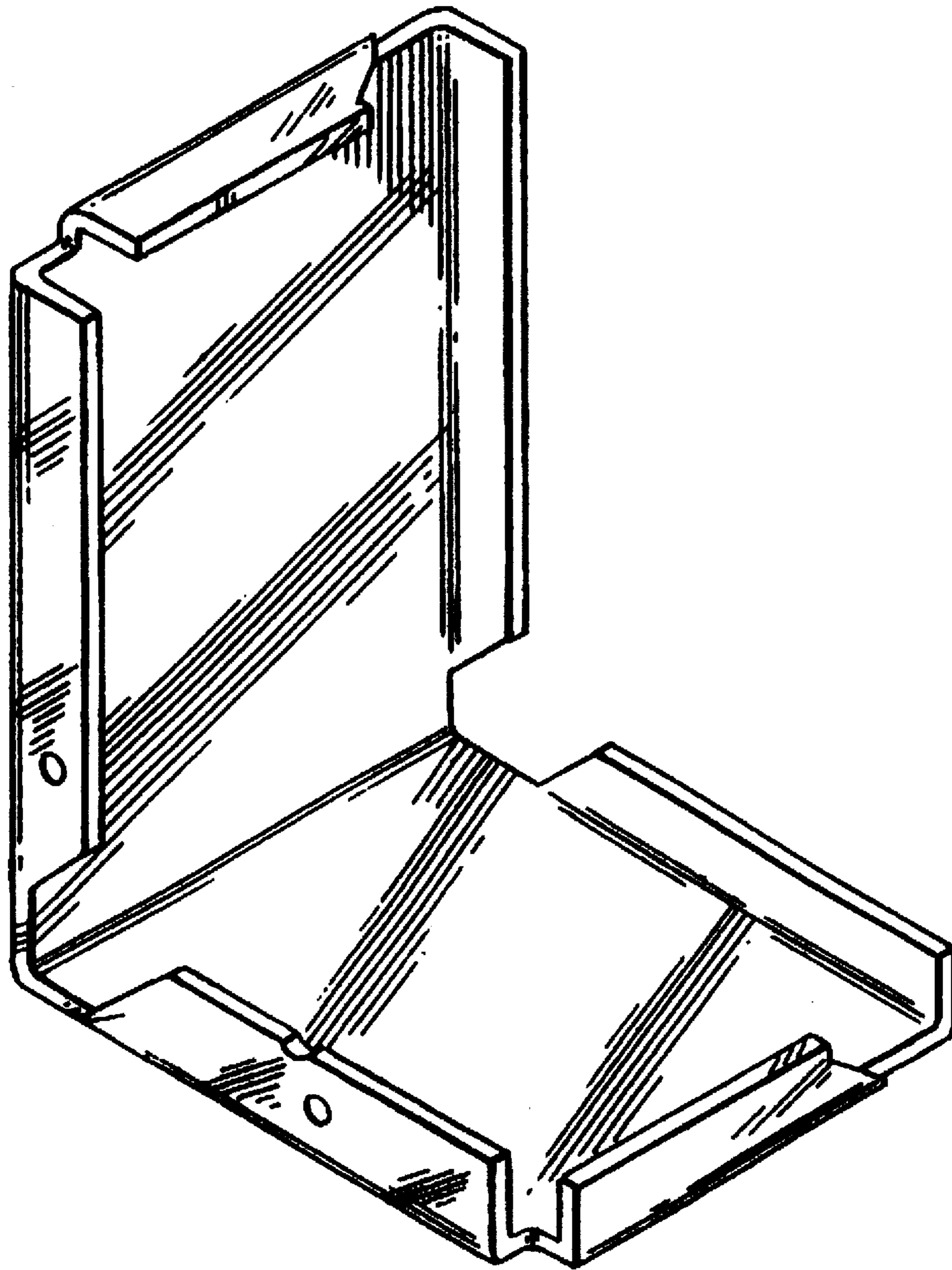


FIG. 1

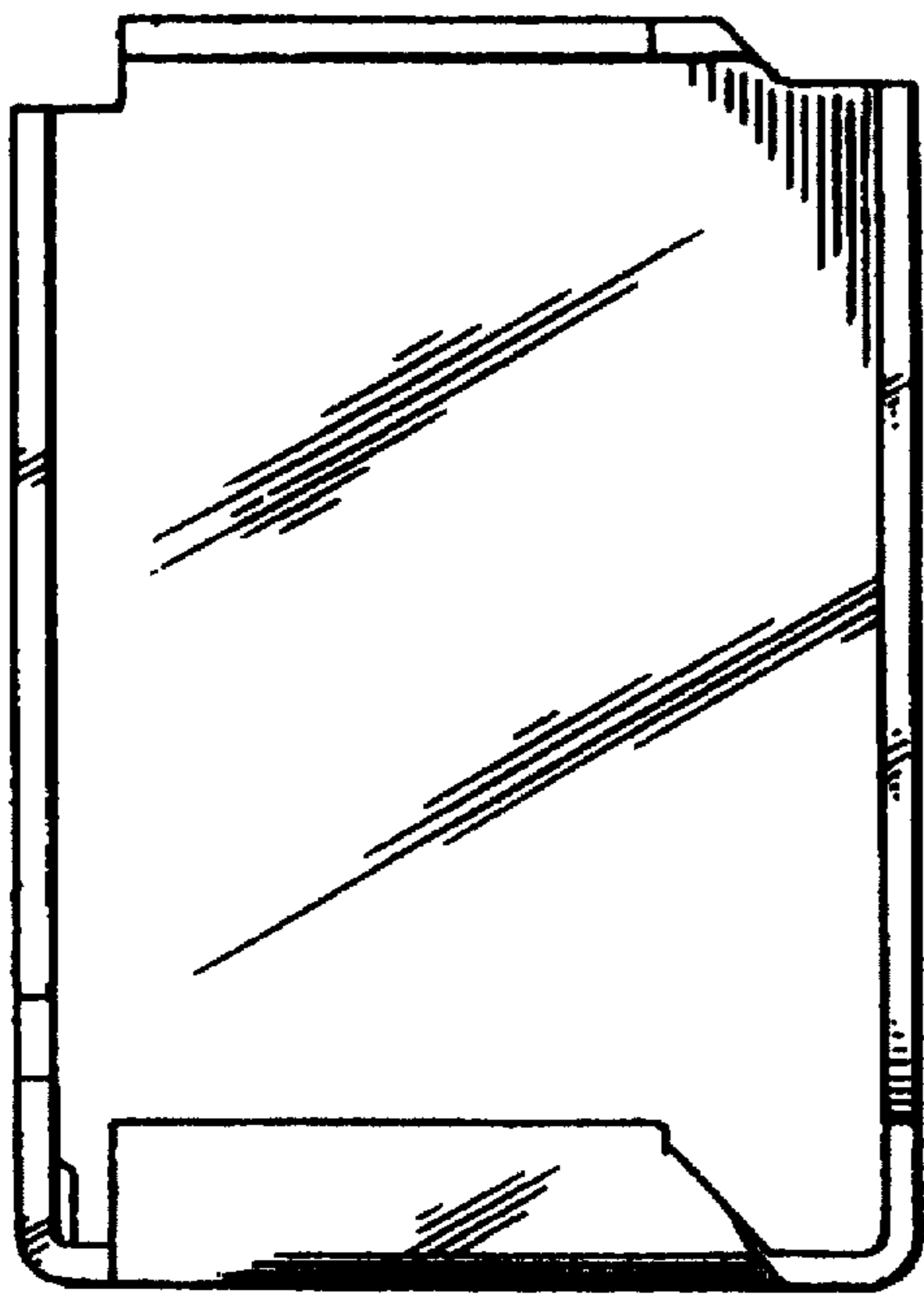


FIG. 2

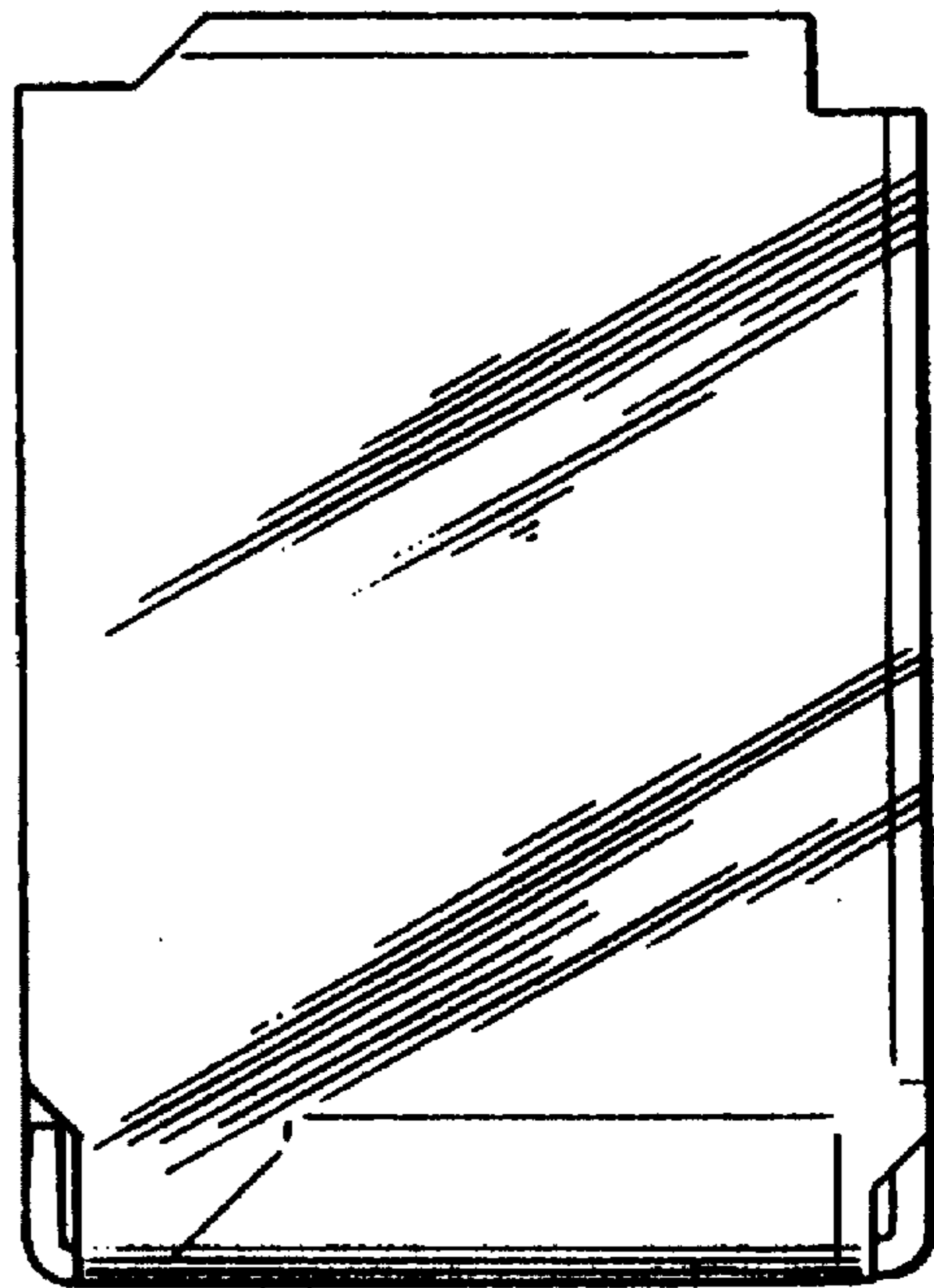


FIG. 3

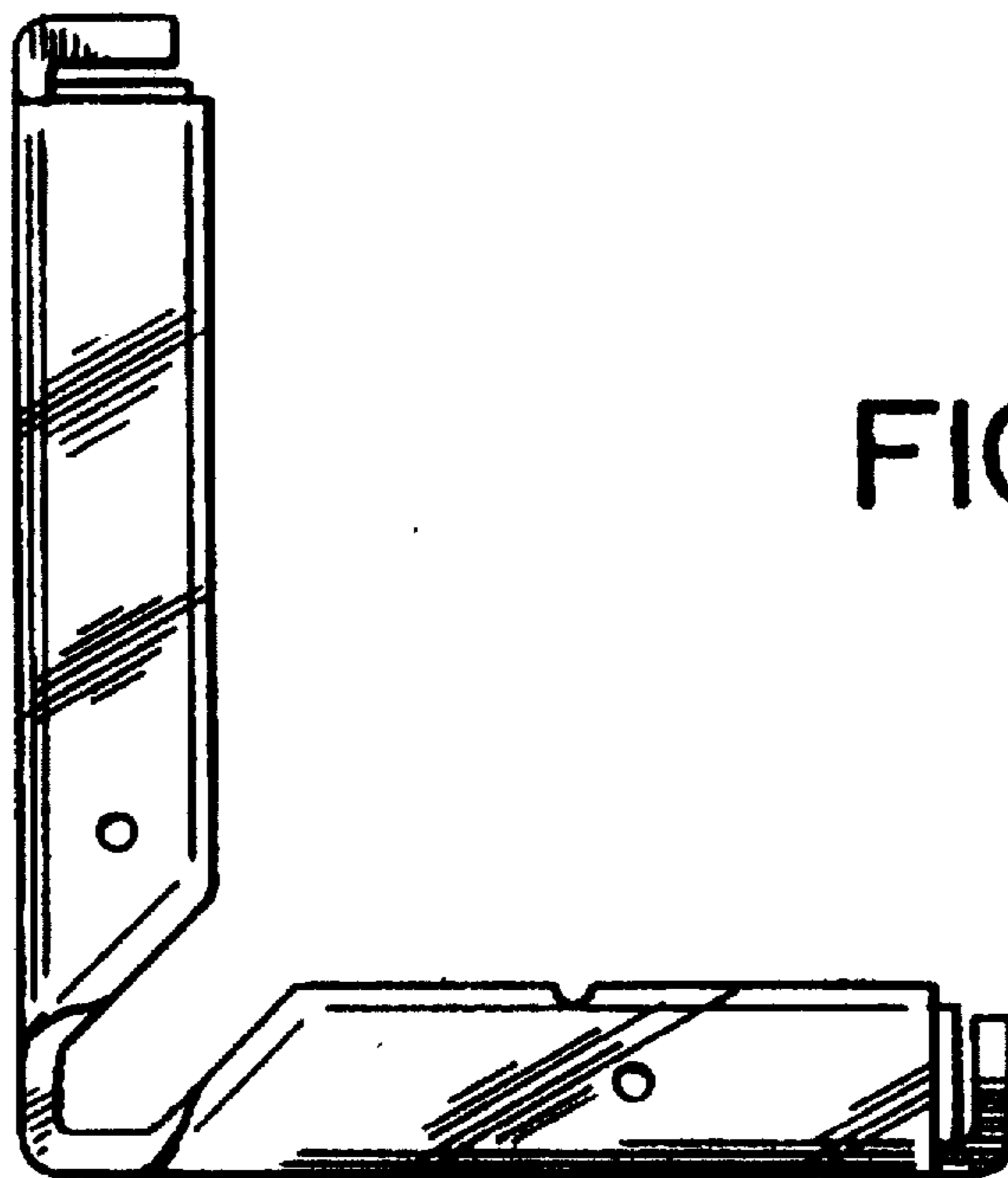


FIG. 4

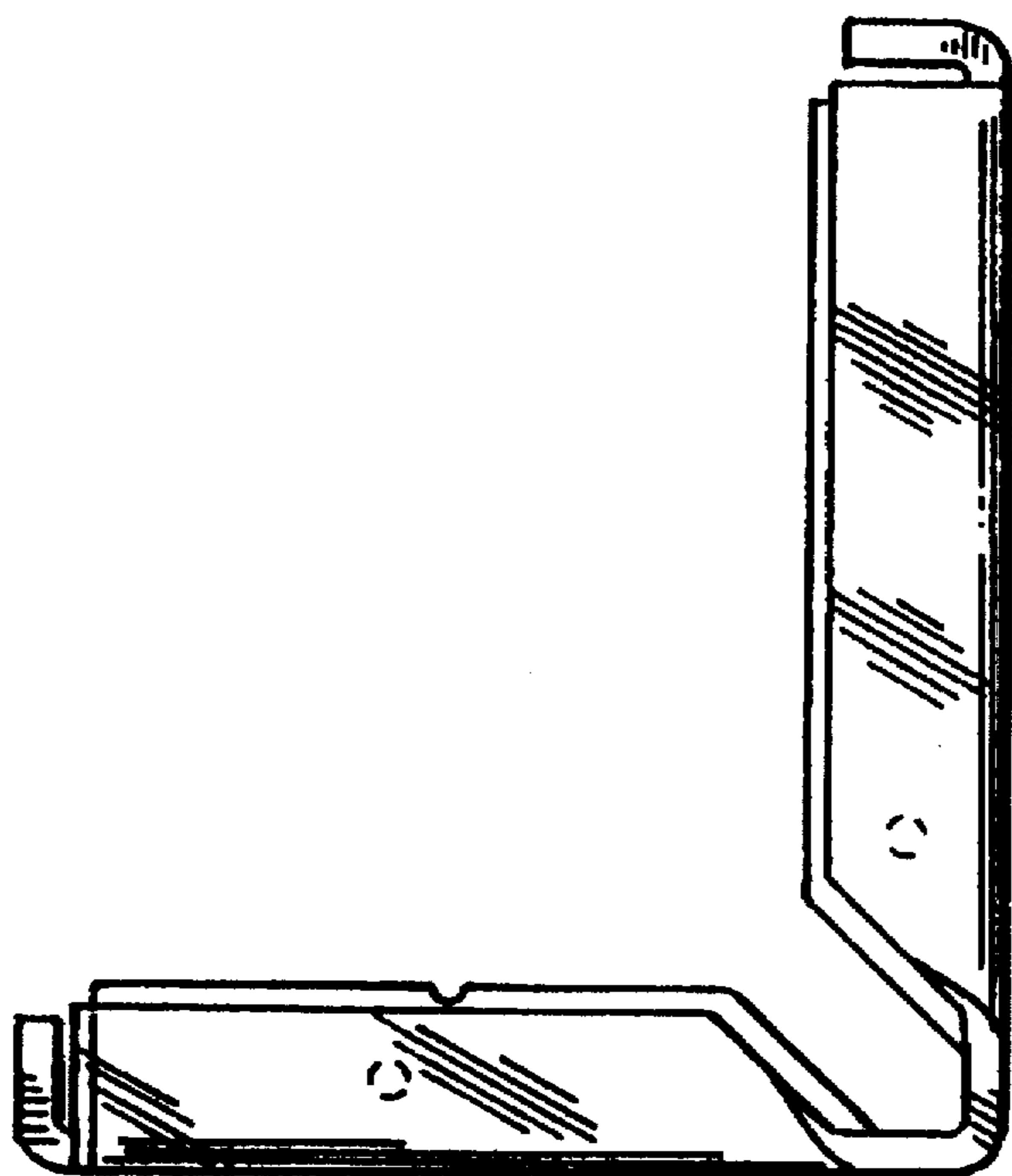


FIG. 5

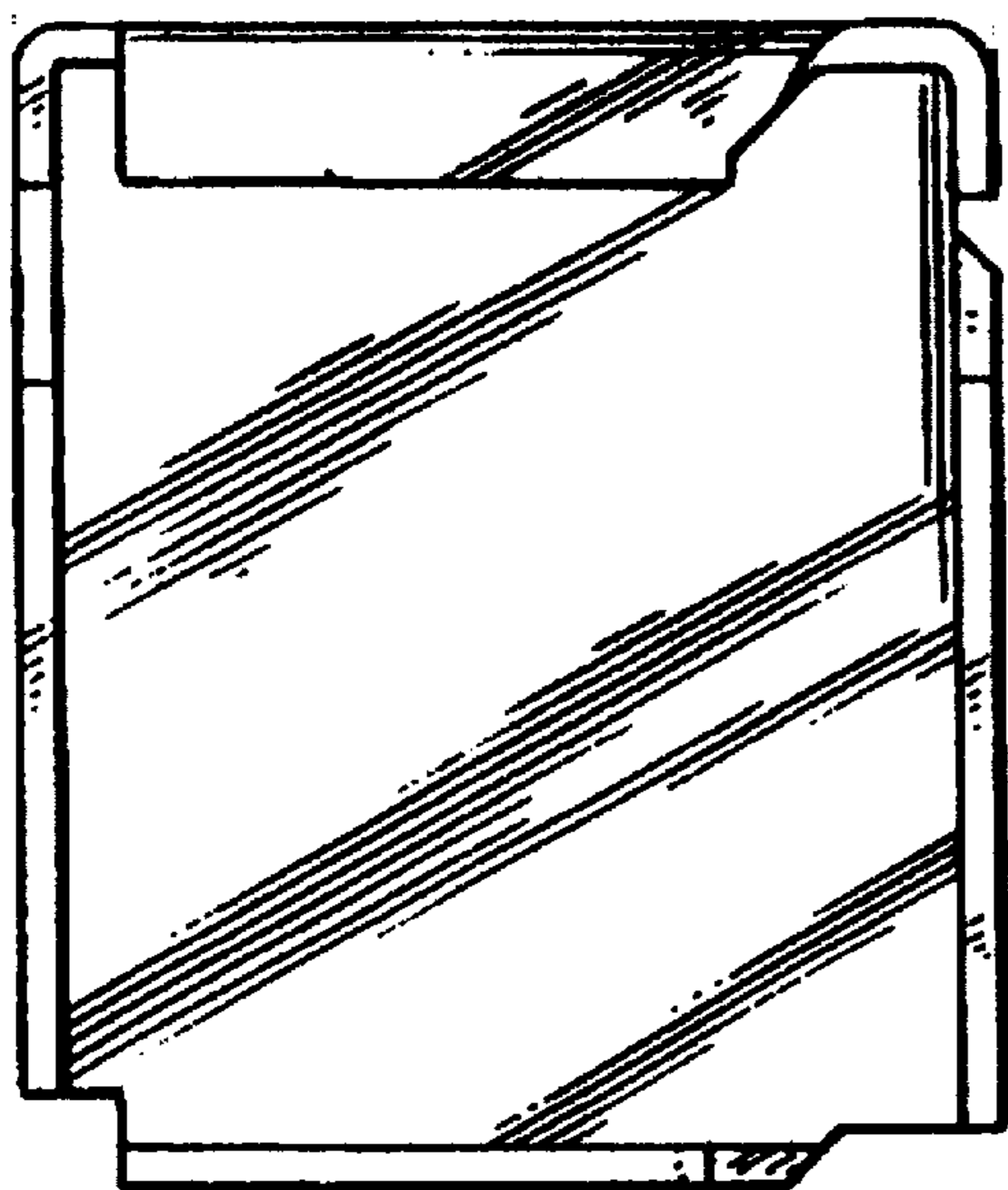


FIG. 6

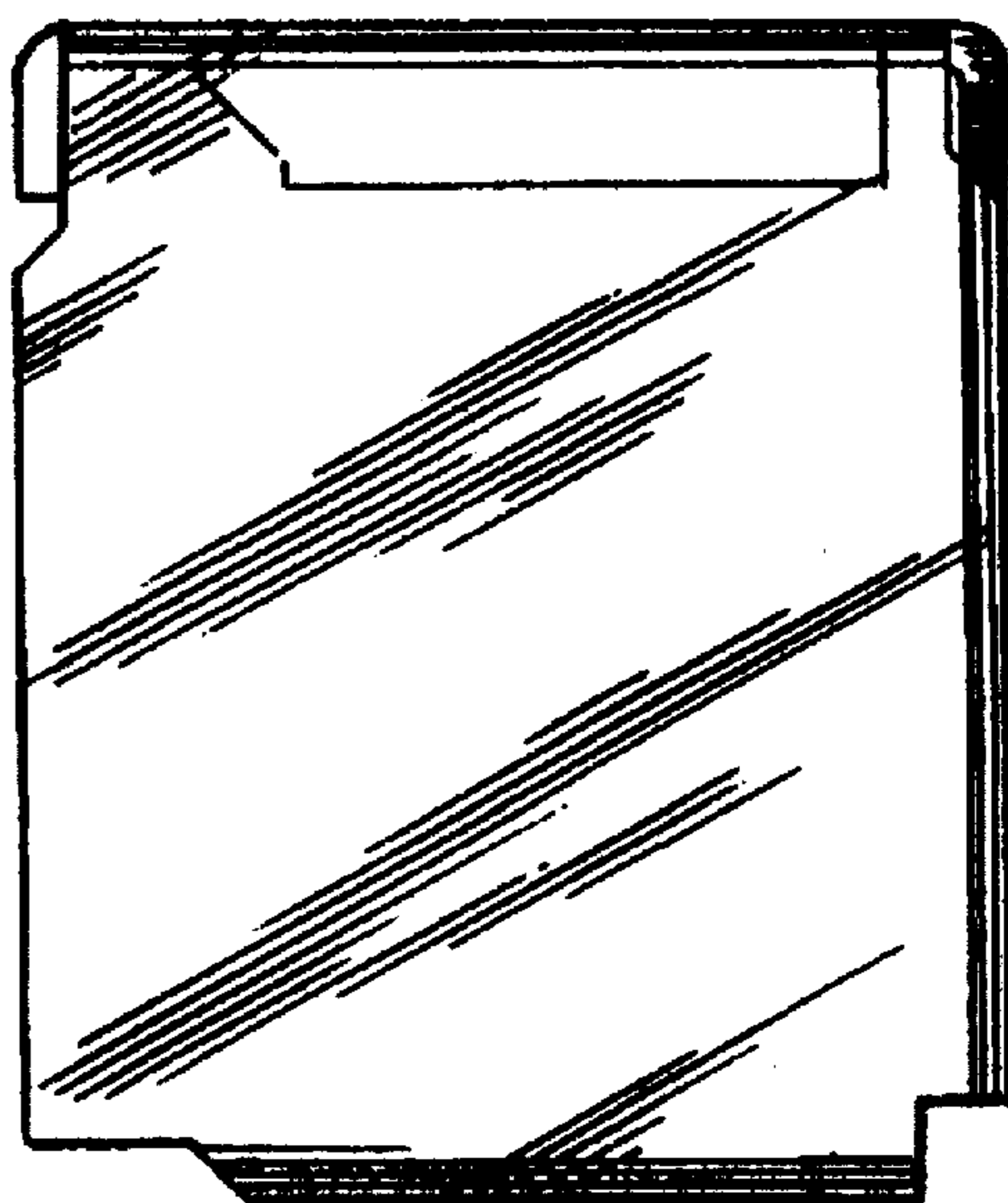


FIG. 7