



US00D386634S

United States Patent [19]

[11] Patent Number: Des. 386,634

Daug

[45] Date of Patent: **Nov. 25, 1997

[54] DRAWER FRONT

[75] Inventor: Robert Paul Daugs, Shoreview, Minn.

[73] Assignee: Upper Midwest Industries, Inc., Minneapolis, Minn.

[**] Term: 14 Years

[21] Appl. No.: 58,322

[22] Filed: Aug. 12, 1996

[51] LOC (6) Cl 06-04

[52] U.S. Cl. D6/510

[58] Field of Search D6/509, 510, 446, D6/445, 492; 312/330.1, 348.4, 333

[56] References Cited

U.S. PATENT DOCUMENTS

D. 240,381	7/1976	Tazaki	D6/492
D. 335,409	5/1993	Kellems	D6/510
D. 341,737	11/1993	Shepherd	D6/509
4,732,430	3/1988	Byrns	312/330.1
4,786,785	11/1988	Felt	235/7
5,016,946	5/1991	Reznikov et al.	312/330.1 X

OTHER PUBLICATIONS

"POSOrganizer System", APG Cash Drawer.
"POS-Partner System For the Integrated POS Hardware Look", APG Cash Drawer, 1995.
"APG MultiPro Cash Drawer", APG Cash Drawer, 1995.

Primary Examiner—James Gandy
Assistant Examiner—Linda Brooks
Attorney, Agent, or Firm—Westman, Champlin & Kelly

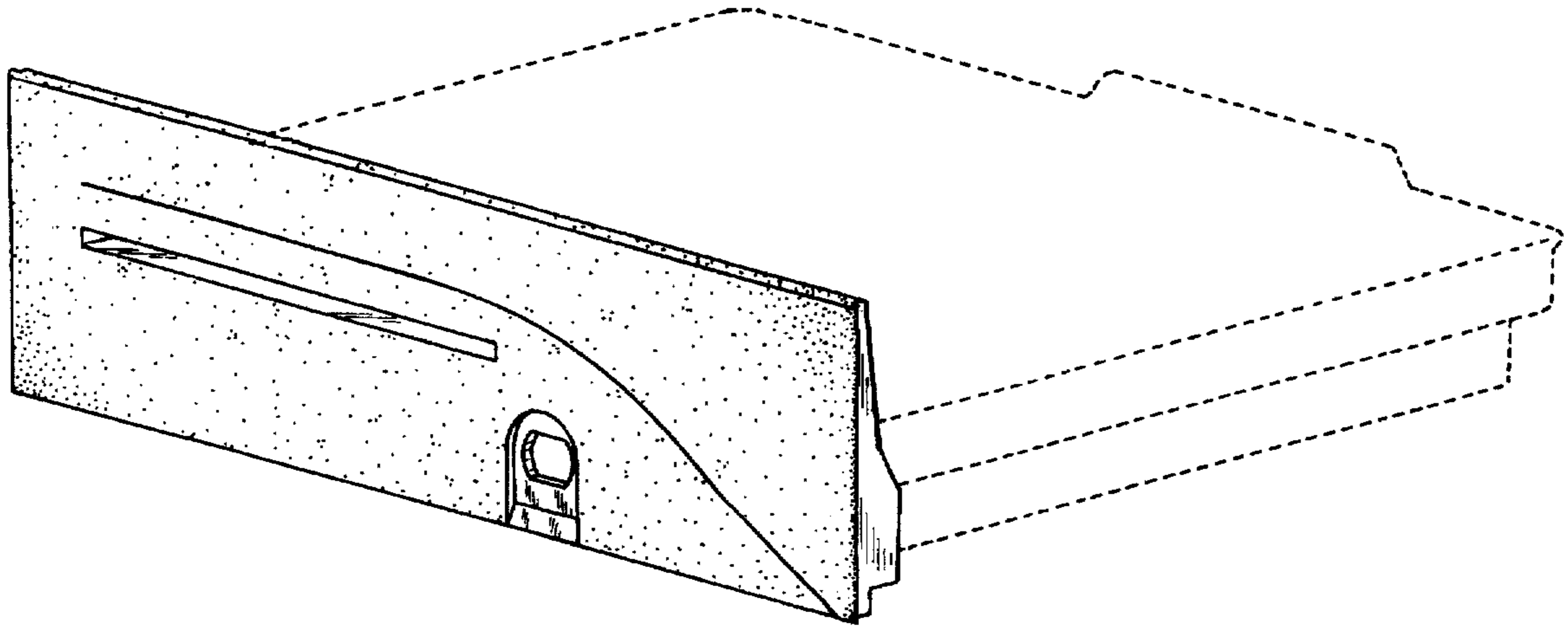
[57] CLAIM

The ornamental design for a drawer front, as shown and described.

DESCRIPTION

FIG. 1 is a perspective view, with a drawer shown in broken lines for purposes of illustration only and forming no part of the claimed design;
FIG. 2 is a left elevation view thereof on an enlarged scale;
FIG. 3 is a right elevation view of FIG. 2;
FIG. 4 is a front elevation view of FIG. 2;
FIG. 5 is a top plan view of FIG. 2;
FIG. 6 is a bottom plan view of FIG. 2; and,
FIG. 7 is a rear elevation view of FIG. 2.

1 Claim, 3 Drawing Sheets



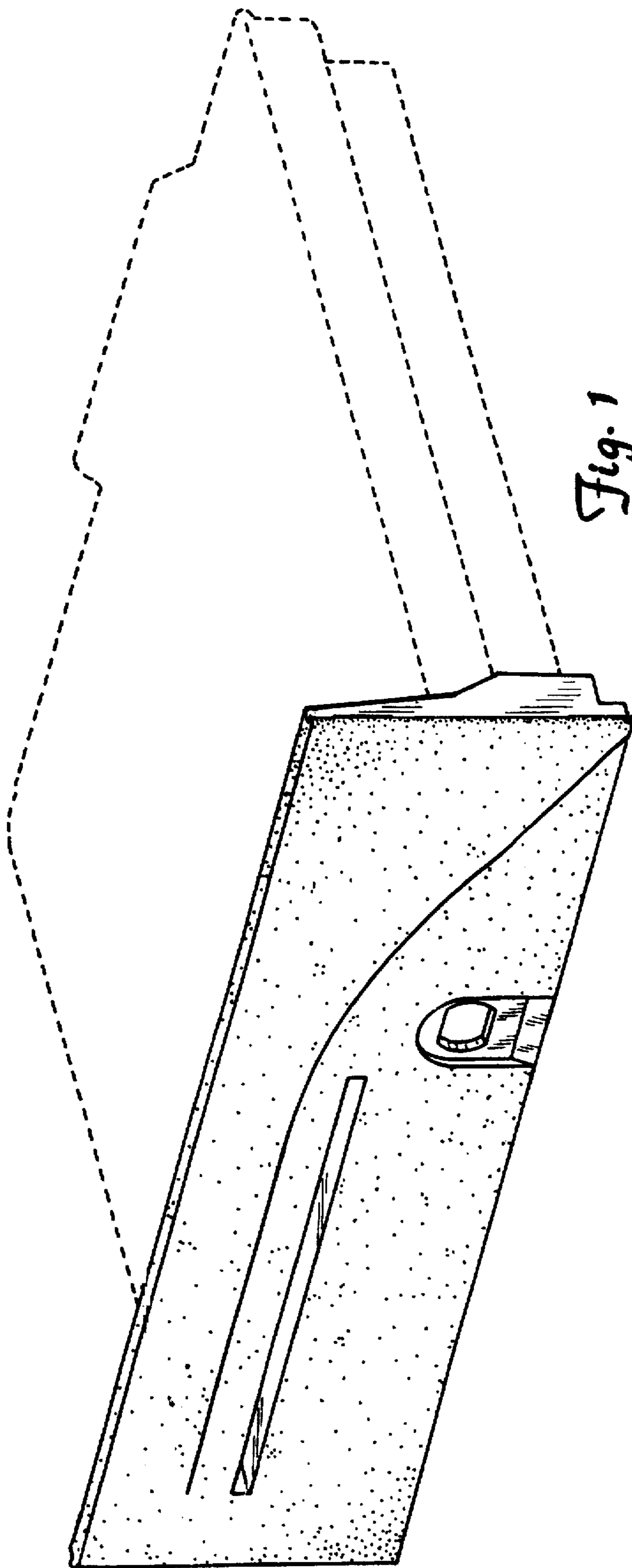




Fig. 1

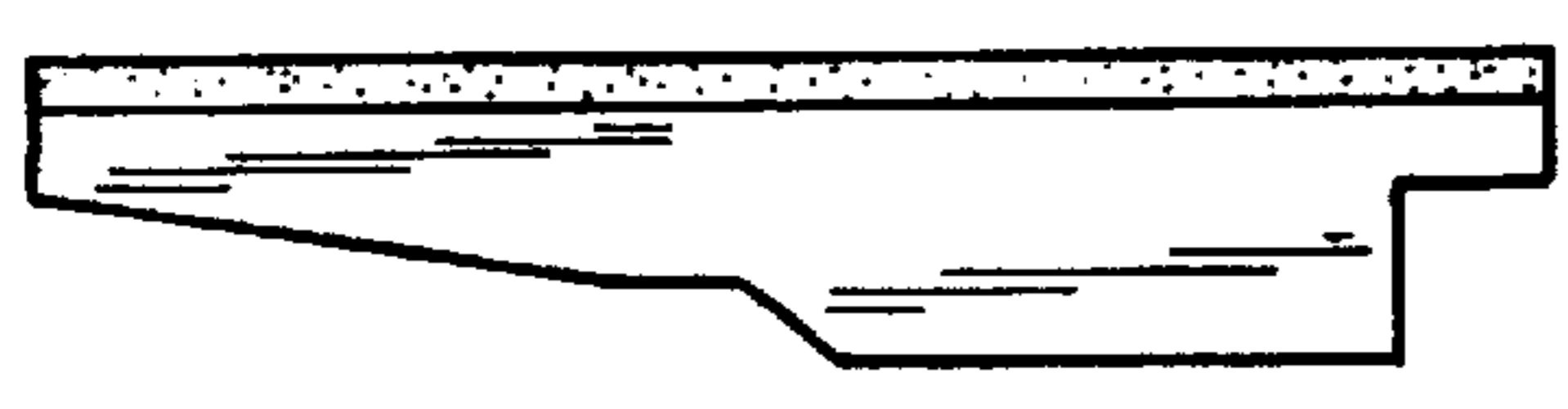


Fig. 2

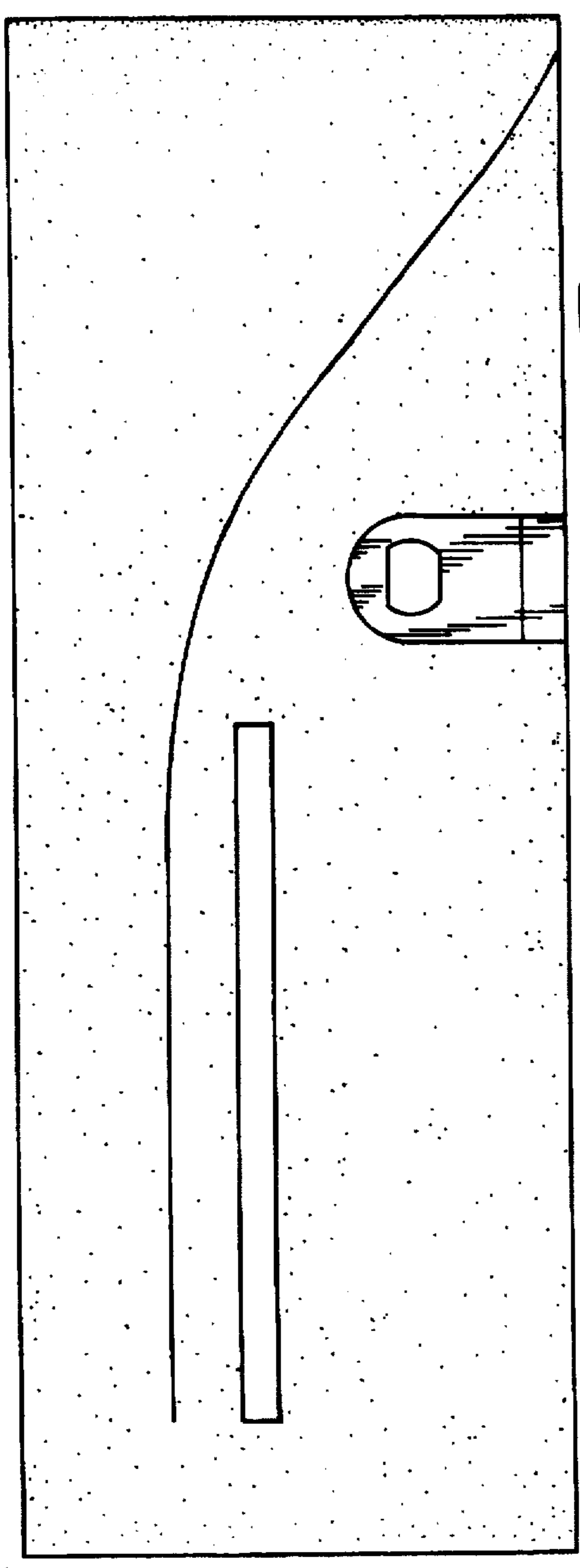


Fig. 3

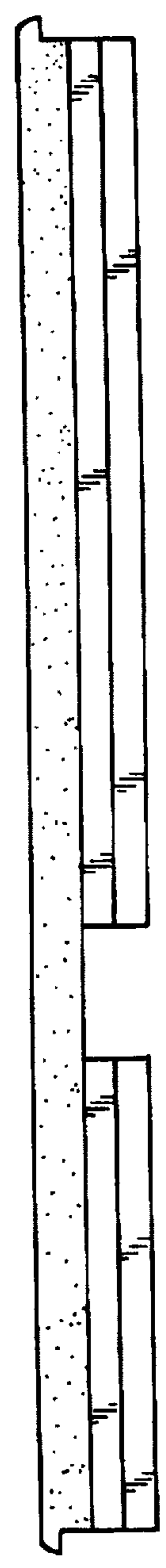


Fig. 4

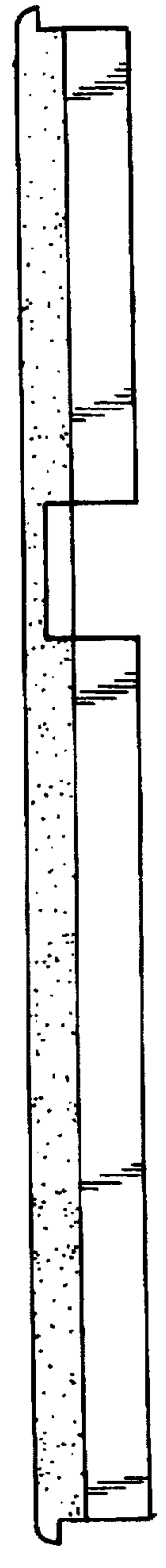


Fig. 5

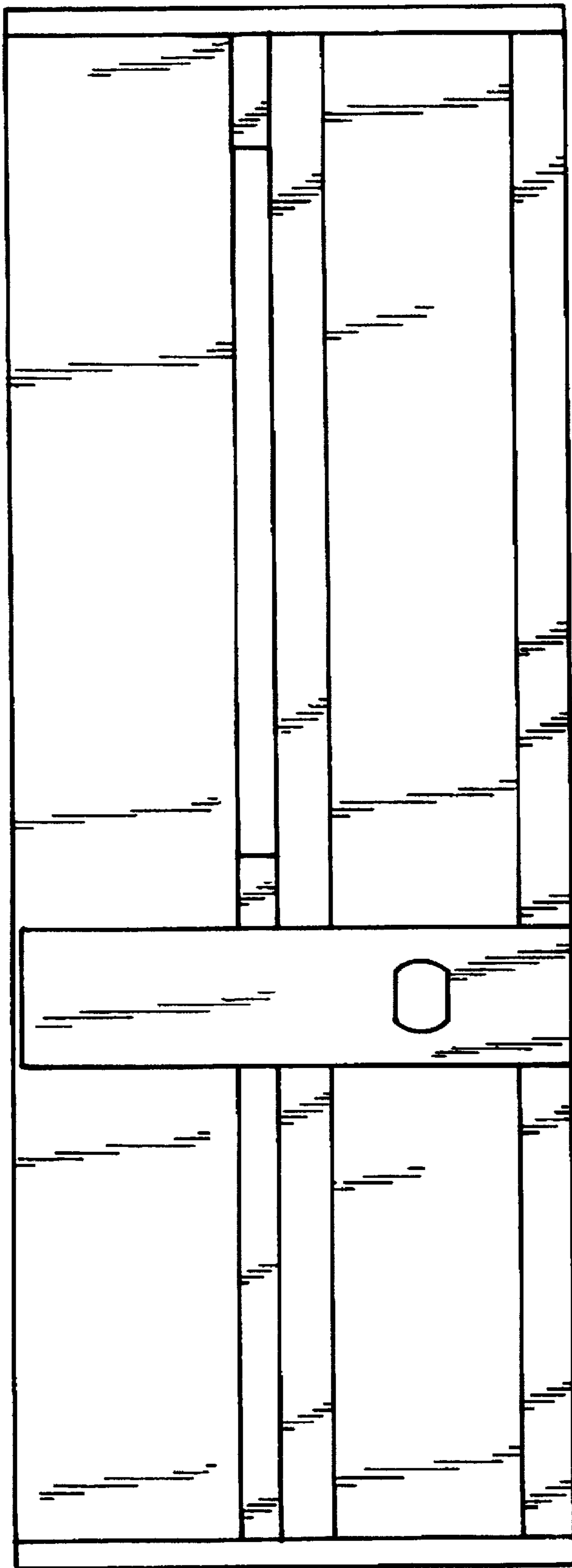


Fig. 7