



US00D386633S

United States Patent [19]

[11] Patent Number: **Des. 386,633**

Pass et al.

[45] Date of Patent: ****Nov. 25, 1997**

[54] TABLE BASE

[75] Inventors: **Ronald L. Pass**, St. Louis; **Donald W. Bustraan**, St. Peters, both of Mo.

[73] Assignee: **JDI Group, Inc.**, St. Louis, Mo.

[**] Term: **14 Years**

[21] Appl. No.: **61,025**

[22] Filed: **Oct. 15, 1996**

[51] LOC (6) Cl. **06-03**

[52] U.S. Cl. **D6/495**

[58] Field of Search D6/480-489, 495-499,
D6/450, 451; 108/155-157, 161; 248/188.1,
188.8

[56] References Cited

U.S. PATENT DOCUMENTS

D. 282,889 3/1986 Doezema D6/484

OTHER PUBLICATIONS

La Barge, p. 110A, #4359 table at bottom left.

Primary Examiner—Janice E. Seeger
Attorney, Agent, or Firm—Kalish & Gilster

[57] CLAIM

The ornamental design for a table base, as shown and described.

DESCRIPTION

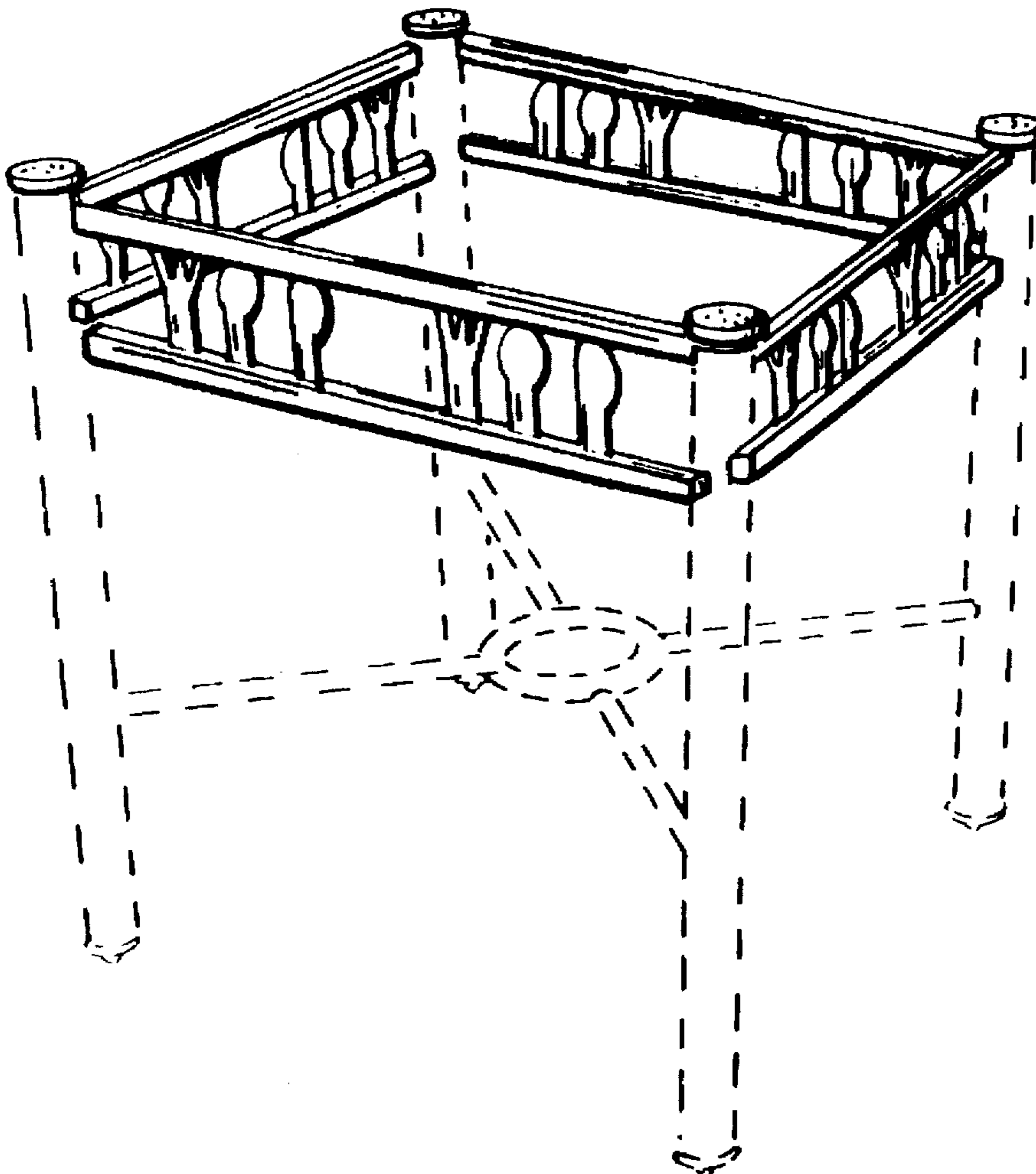
FIG. 1 is a perspective view of a table base showing our new design;

FIG. 2 is a top plan view thereof; and,

FIG. 3 is a side elevational view thereof, all sides being identical.

Throughout the figures, areas shown by broken lines form no part of the claimed design.

1 Claim, 1 Drawing Sheet



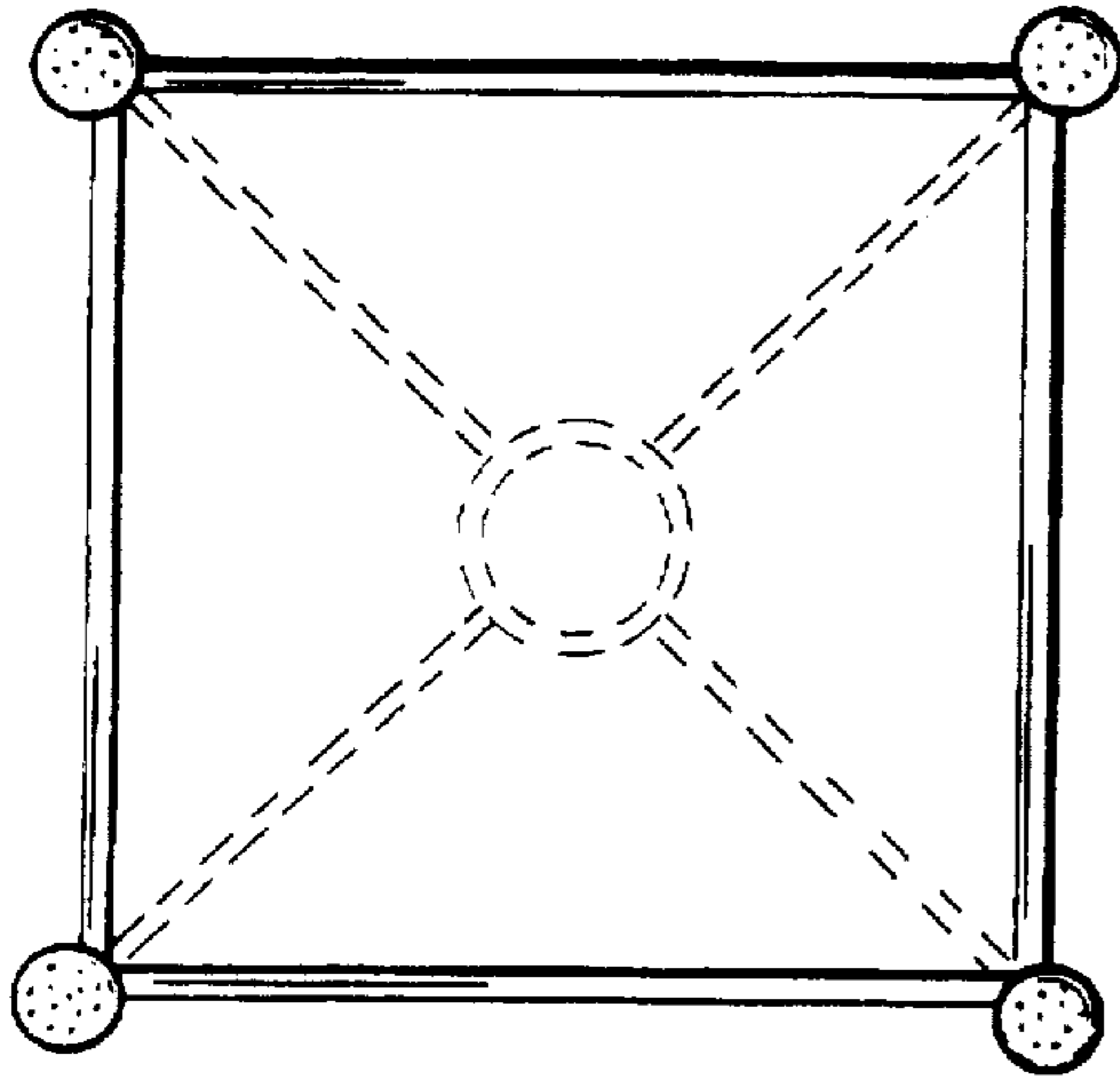


FIG. 2

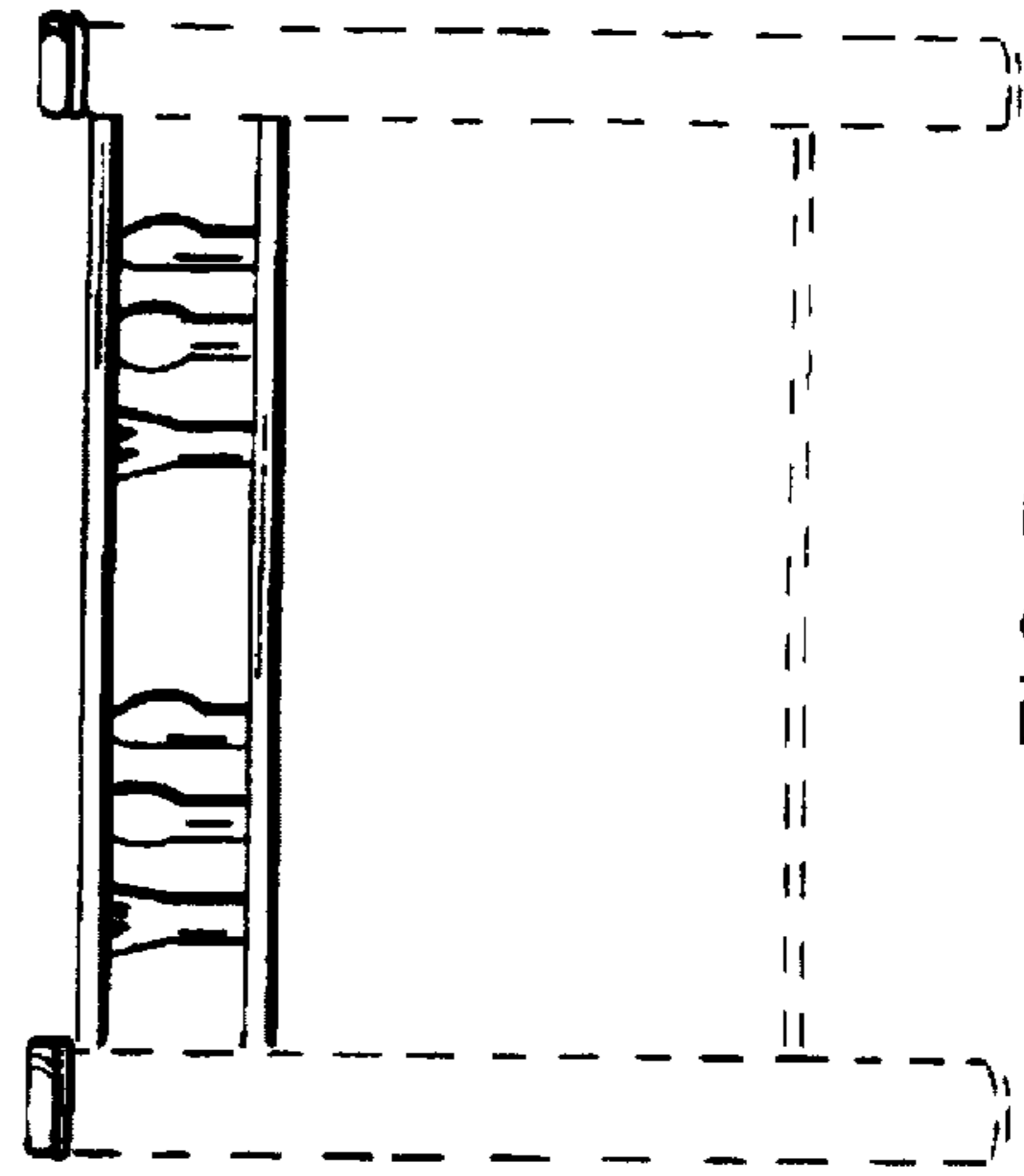


FIG. 3

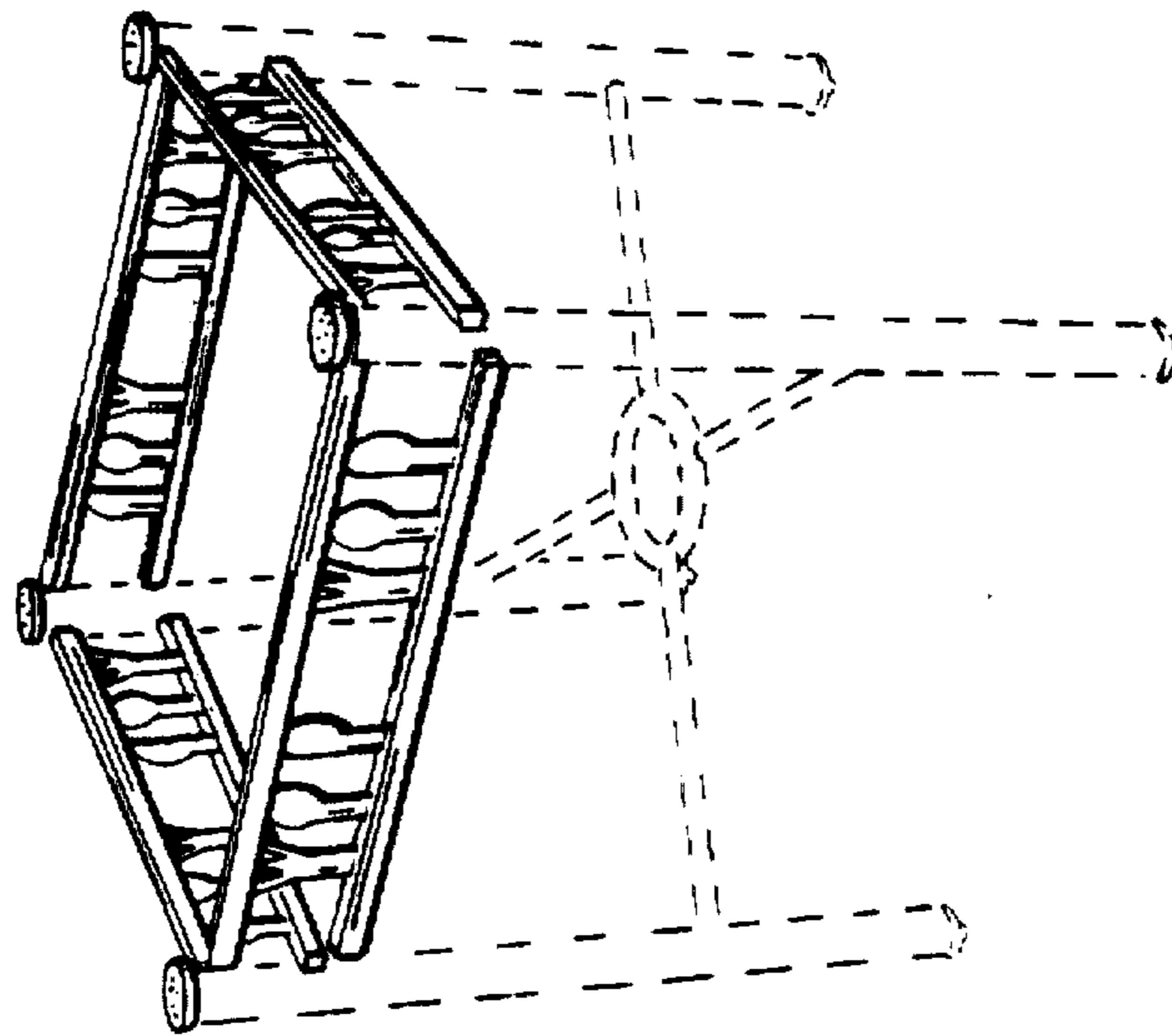


FIG. 1