



US00D386632S

**United States Patent** [19]  
**Robinson**

[11] **Patent Number:** **Des. 386,632**

[45] **Date of Patent:** **\*\*Nov. 25, 1997**

[54] **CANTILEVERED TABLE**

D. 189,246 11/1960 Beck ..... D6/485 X  
D. 371,687 7/1996 Sims ..... D6/423

[76] **Inventor:** **Tod M. Robinson**, 2162 Thomas Ave.  
#2, San Diego, Calif. 92109

*Primary Examiner*—Janice E. Seeger  
*Attorney, Agent, or Firm*—Carol D. Titus; Leary, Titus &  
Aiello

[\*\*] **Term:** **14 Years**

[57] **CLAIM**

[21] **Appl. No.:** **57,046**

The ornamental design for a cantilevered table, as shown  
and described.

[22] **Filed:** **Jul. 15, 1996**

**DESCRIPTION**

[51] **LOC (6) Cl.** ..... **06-03**

[52] **U.S. Cl.** ..... **D6/480; D6/482**

[58] **Field of Search** ..... D6/480-489, 495,  
D6/422, 423, 441; 108/153, 156, 161, 149;  
248/188, 188.1

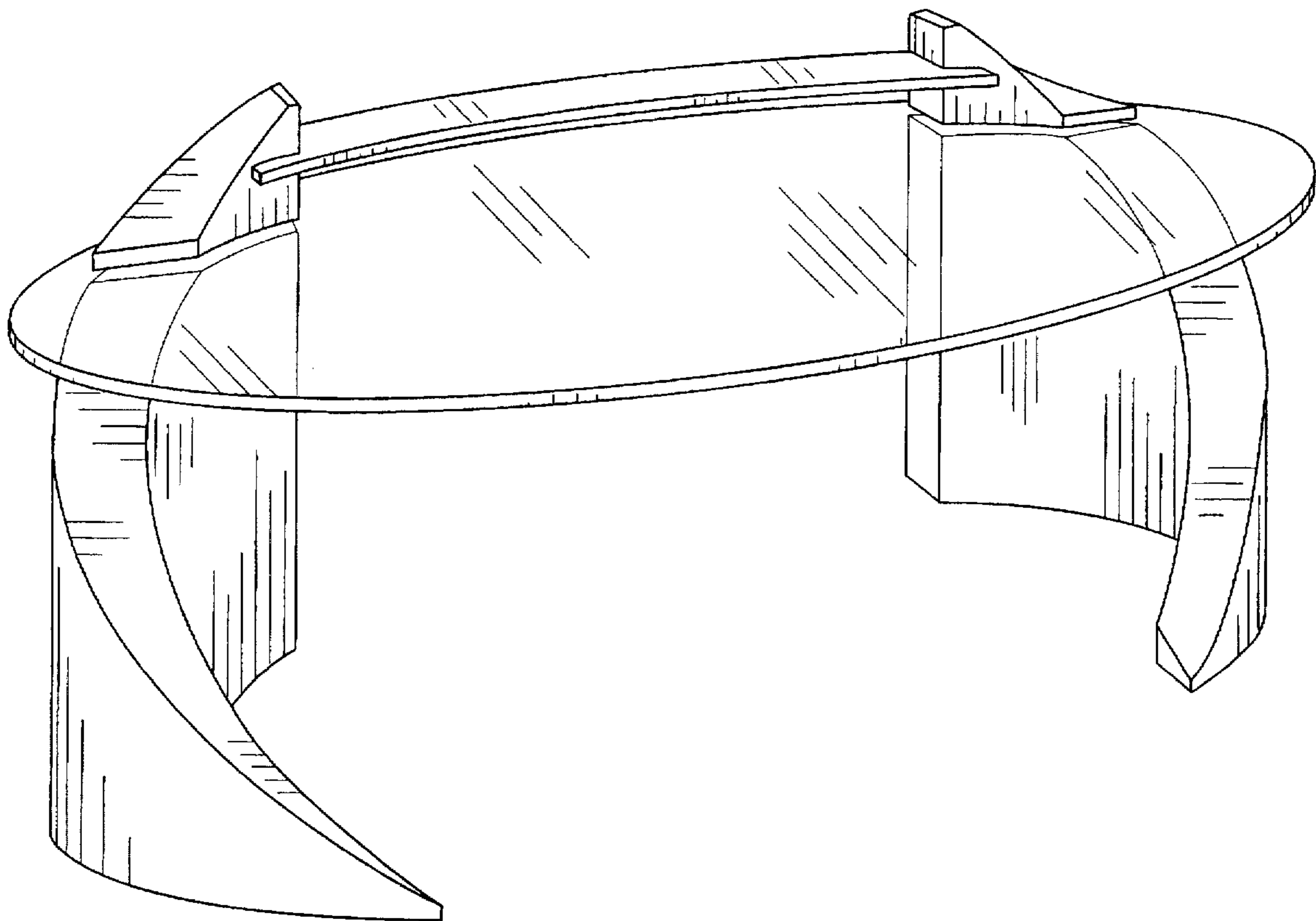
FIG. 1 is a front perspective view of the cantilevered table;  
FIG. 2 is a front elevational view thereof;  
FIG. 3 is a rear elevational view thereof;  
FIG. 4 is a bottom view thereof;  
FIG. 5 is a top view thereof;  
FIG. 6 is a right elevational view thereof;  
FIG. 7 is a left elevational view thereof; and,  
FIG. 8 is an exploded front elevational view thereof.

[56] **References Cited**

**U.S. PATENT DOCUMENTS**

D. 171,475 2/1954 Yarger ..... D6/485  
D. 175,651 9/1955 Schwartz ..... D6/482 X

**1 Claim, 5 Drawing Sheets**



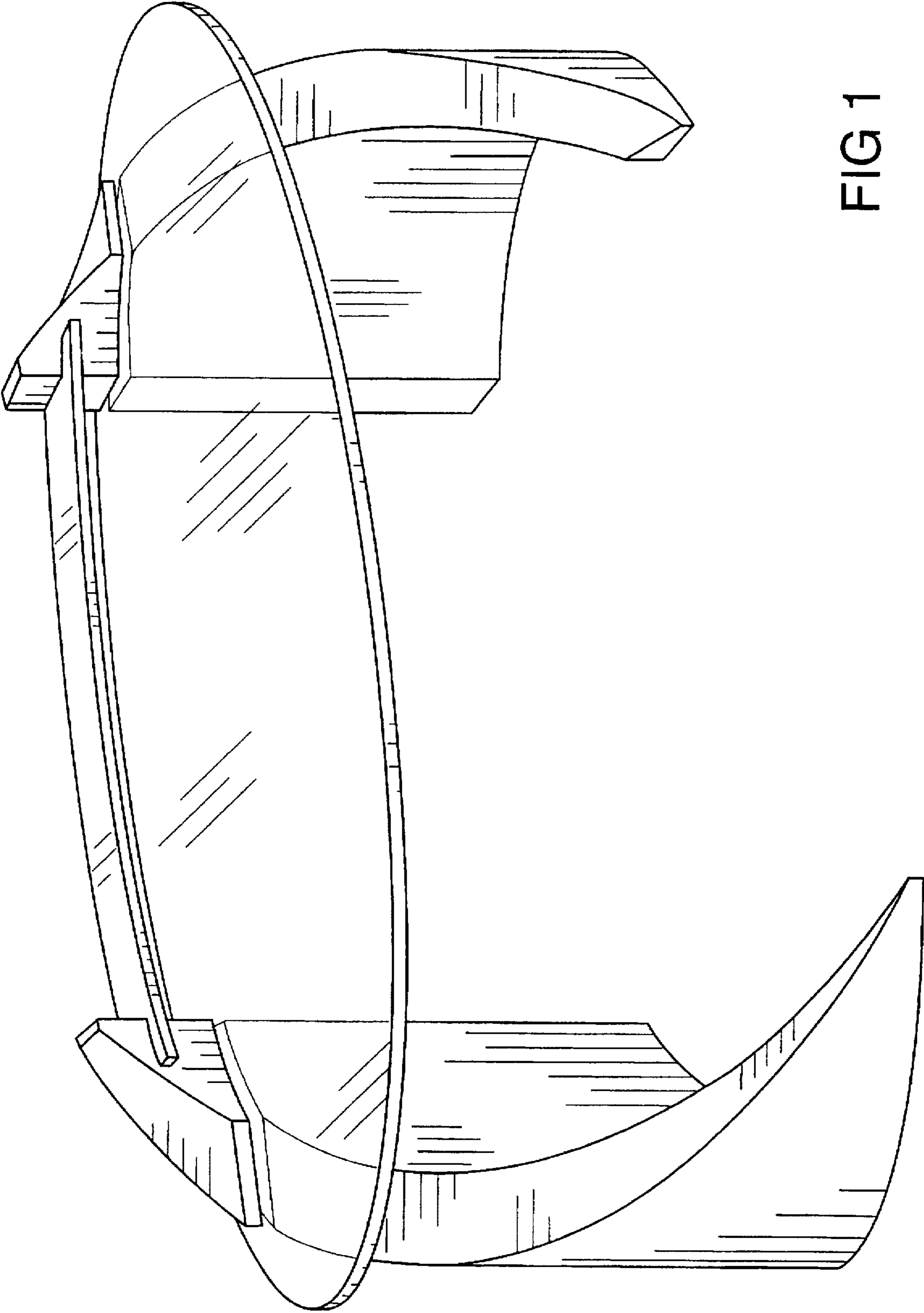
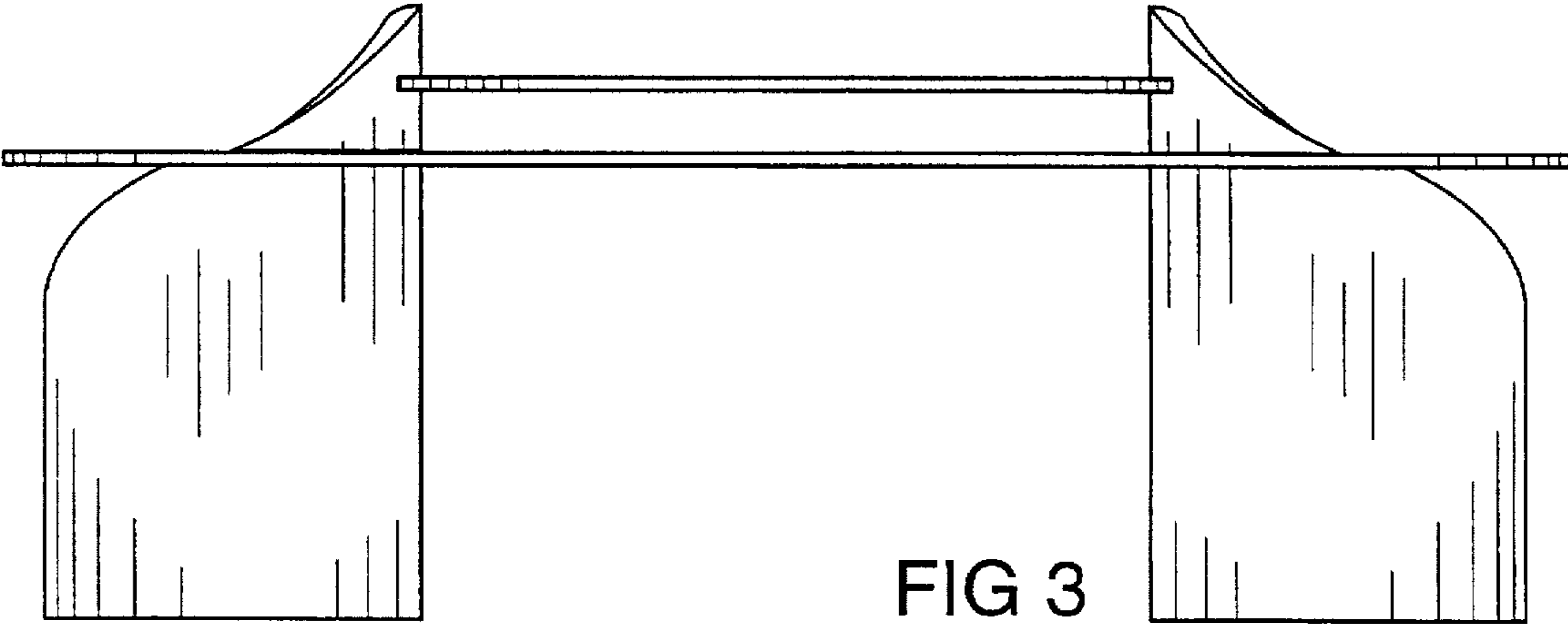
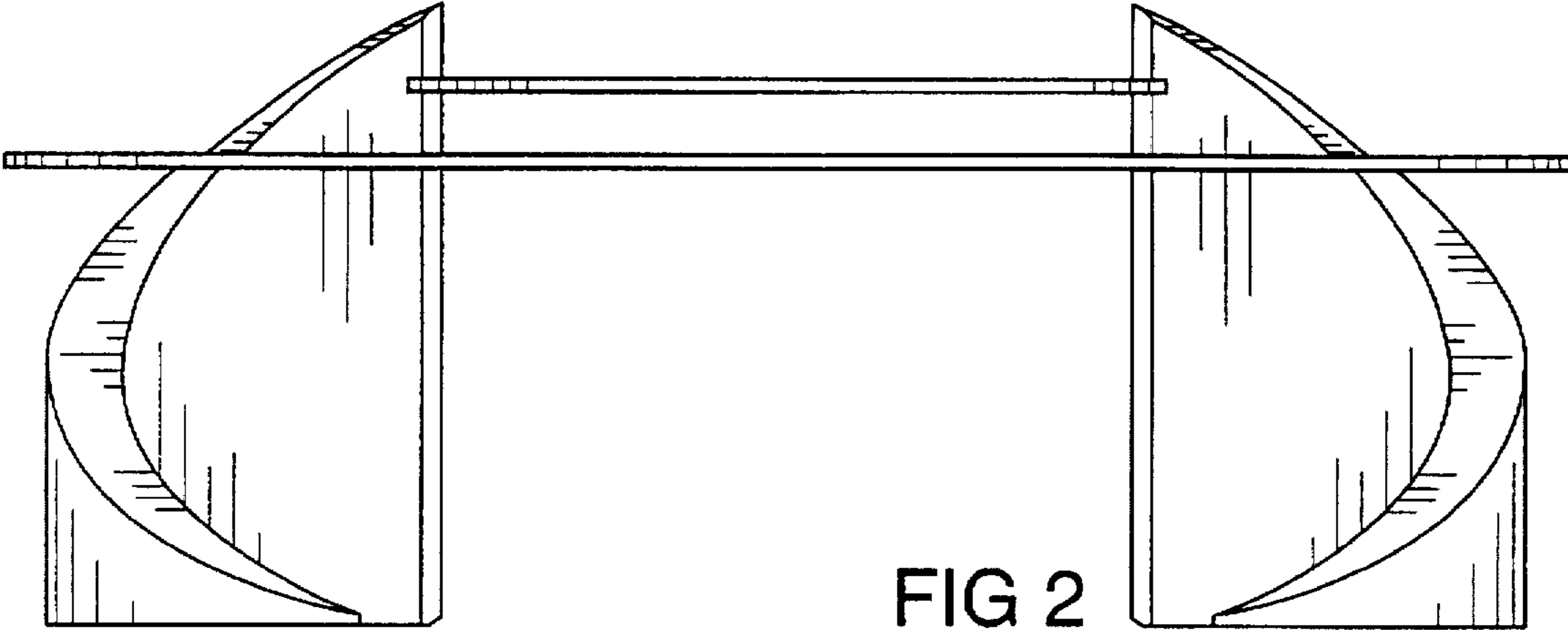


FIG 1



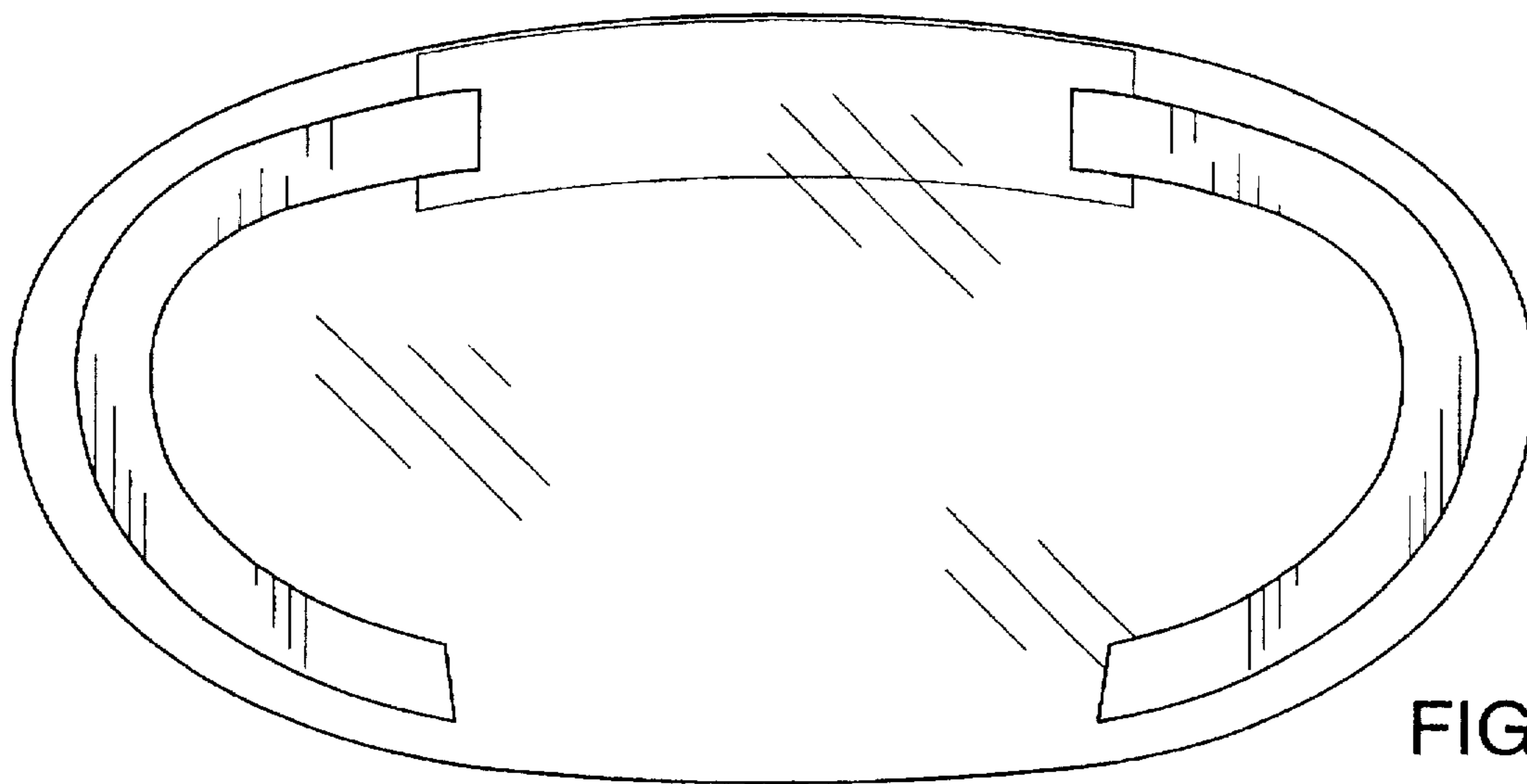


FIG 4

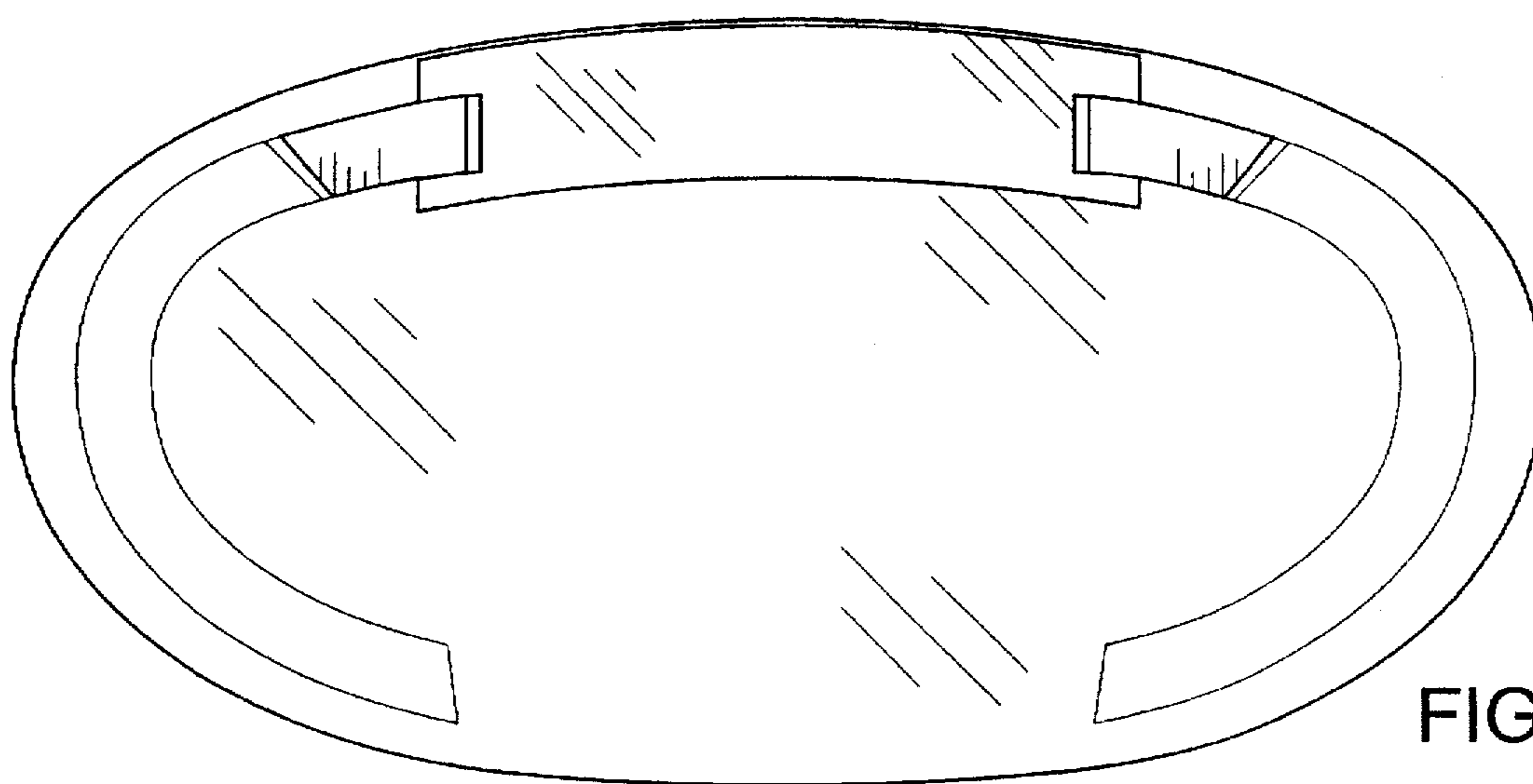


FIG 5

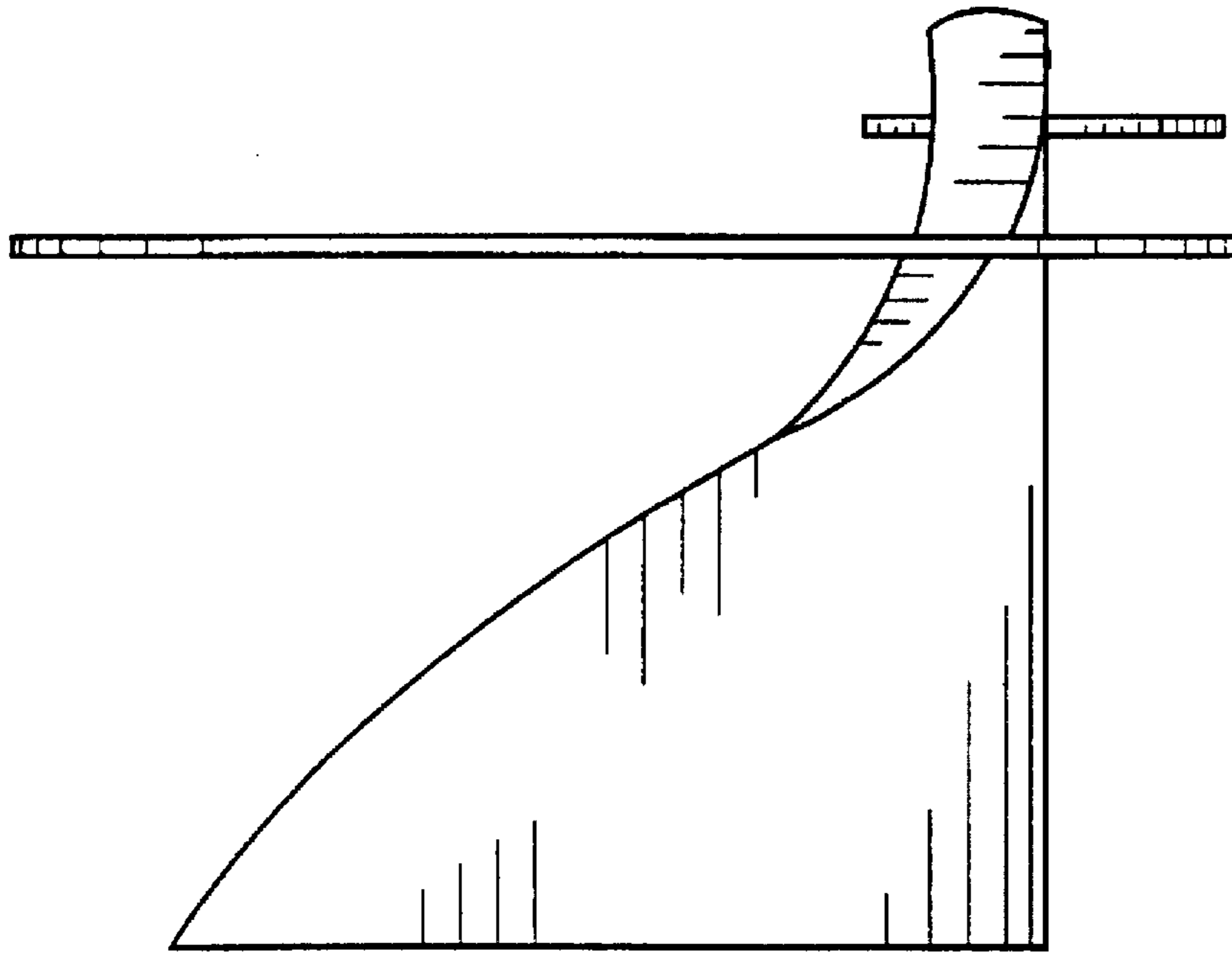


FIG 6

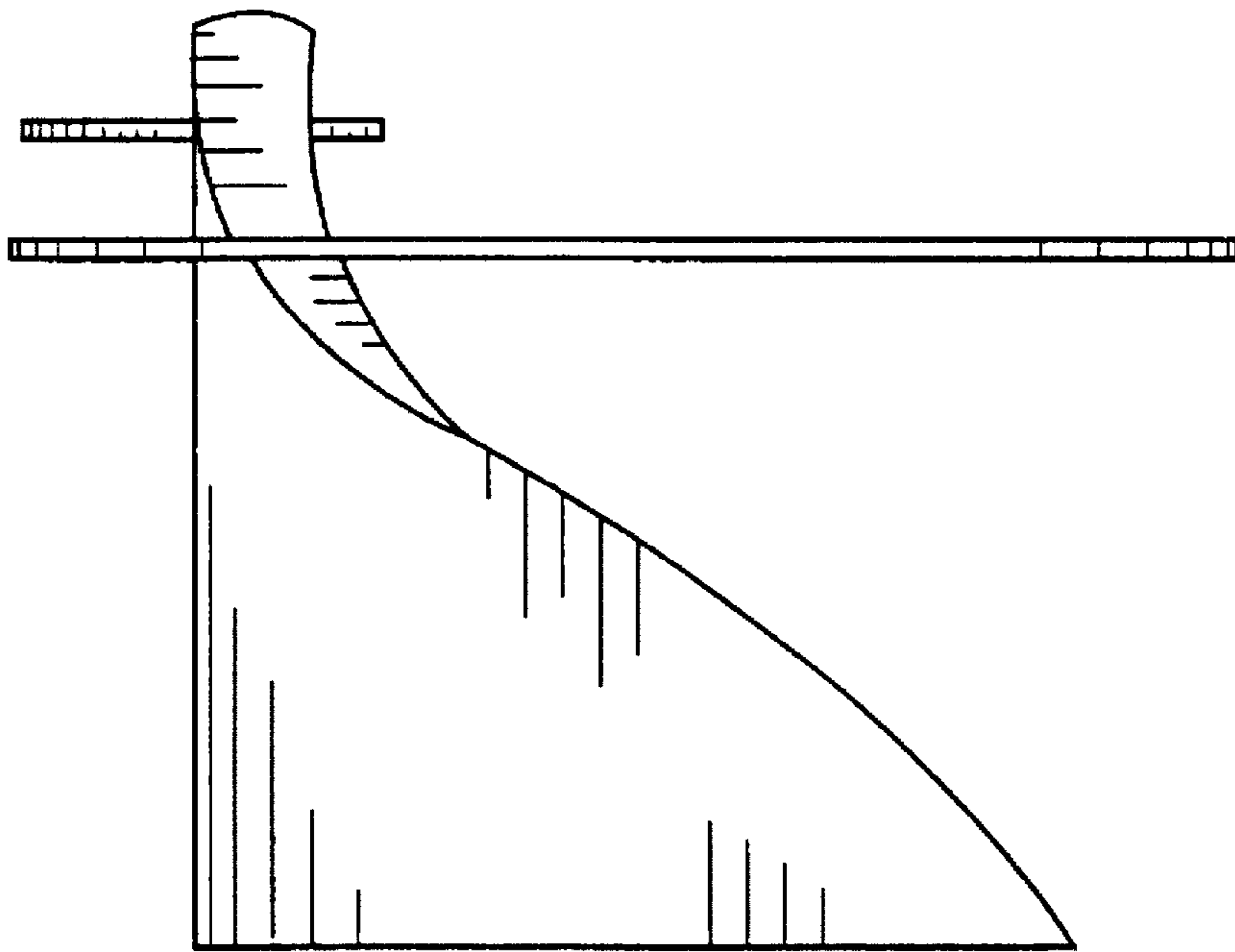


FIG 7

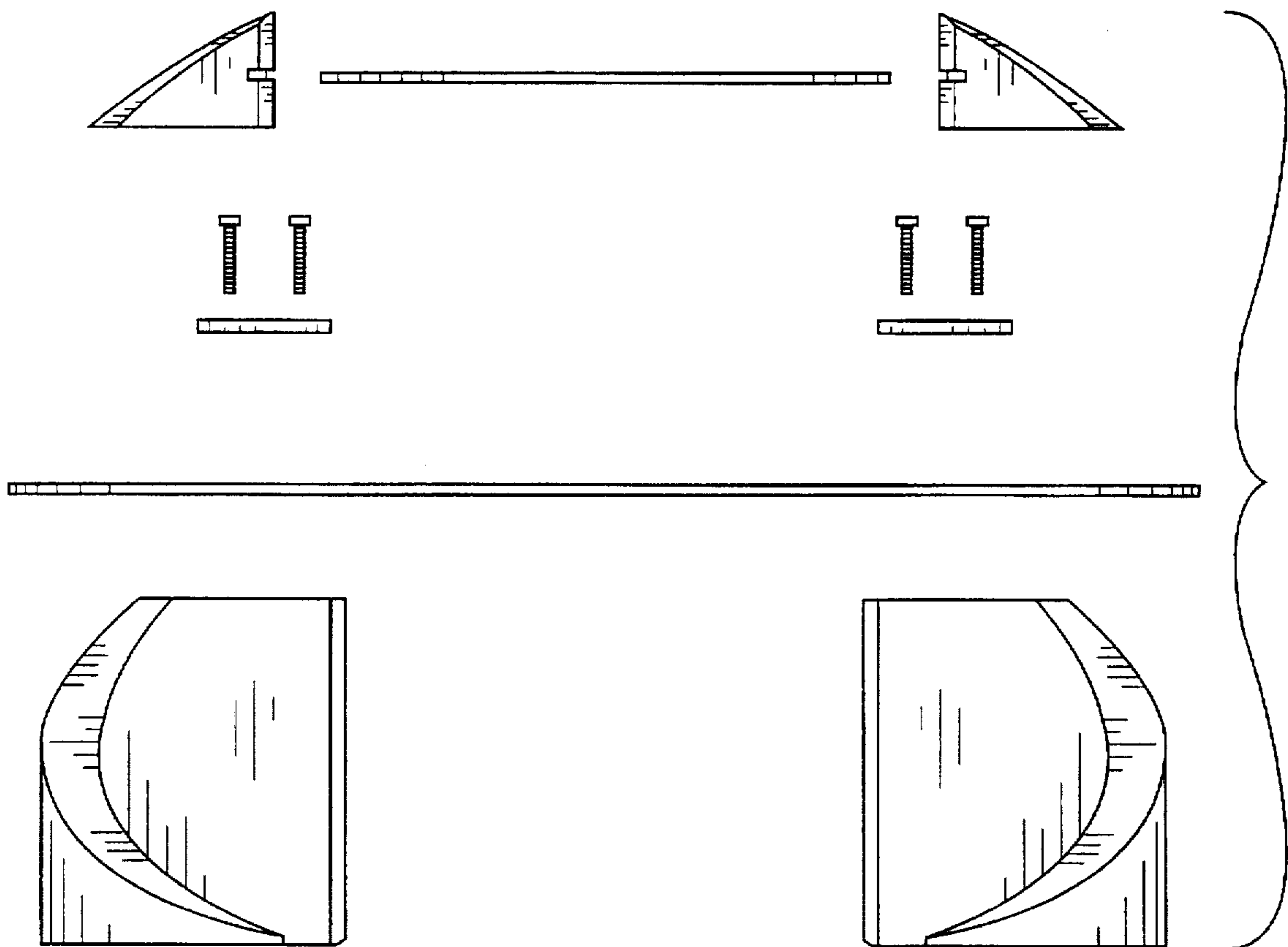


FIG 8