



US00D386625S

# United States Patent [19]

[11] Patent Number: **Des. 386,625**

Bloom

[45] Date of Patent: **\*\*\*Nov. 25, 1997**

[54] **MULTIPLE WORKSTATION UNIT**

[75] Inventor: **Ira Gary Bloom**, Dallas, Tex.

[73] Assignee: **ASR Affiliates, Inc.**, Sarasota, Fla.

[\*] Notice: The portion of the term of this patent subsequent to Feb. 4, 2011, has been disclaimed.

D. 278,772 5/1985 Koguma ..... D6/426  
 D. 291,853 9/1987 Worrell et al. .... D6/423 X  
 D. 298,889 12/1988 LaCour ..... D6/423  
 D. 305,706 1/1990 Mark ..... D6/421  
 D. 362,761 10/1995 Hood ..... D6/397  
 D. 366,165 1/1996 Holsinger et al. .... D6/421  
 3,233,346 2/1966 Cornberg ..... 434/432 X  
 3,727,328 4/1973 Valenzuela ..... 434/432  
 5,016,405 5/1991 Lee ..... 108/60 X

[\*\*] Term: **14 Years**

*Primary Examiner*—Carmen H. Vales-Lado  
*Attorney, Agent, or Firm*—Gregory M. Howison

[21] Appl. No.: **52,480**

### [57] CLAIM

[22] Filed: **Apr. 1, 1996**

The ornamental design for multiple workstation unit, as shown and described.

[51] LOC (6) Cl. .... **06-04**

[52] U.S. Cl. .... **D6/423**

[58] Field of Search ..... D6/421-428, 436;  
312/194-196; 108/59, 60, 11, 115, 162;  
52/36, 239; 434/307 R, 432

### DESCRIPTION

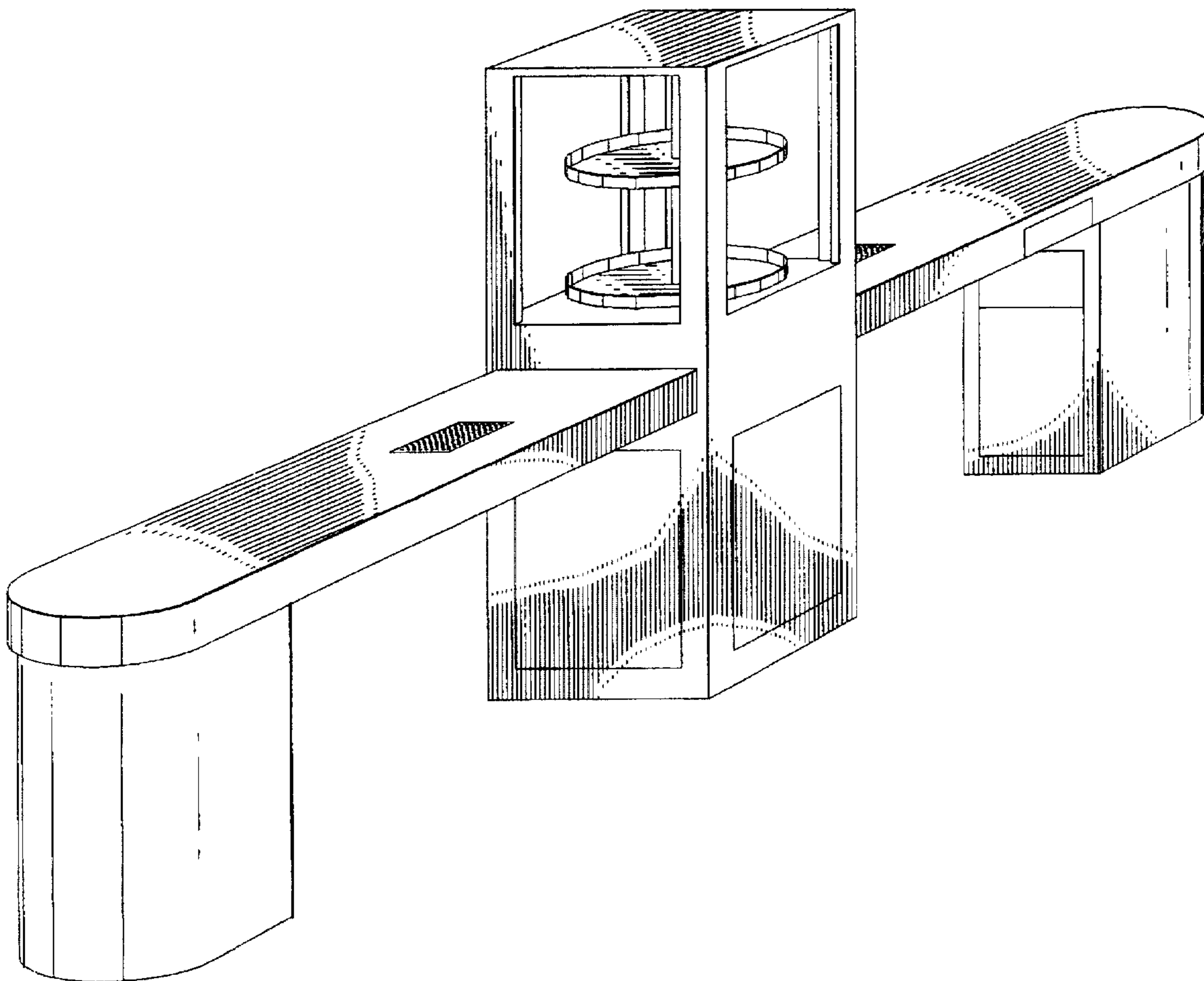
FIG. 1 is a left front perspective view of a multiple workstation unit showing my new design;  
FIG. 2 is a rear elevational view thereof;  
FIG. 3 is a top plan view thereof;  
FIG. 4 is a bottom plan view thereof; and,  
FIG. 5 is a side elevational view thereof.

### [56] References Cited

#### U.S. PATENT DOCUMENTS

D. 172,098 5/1954 Knoll ..... D6/421 X  
 D. 242,410 11/1976 Goulooge ..... D6/423

**1 Claim, 3 Drawing Sheets**



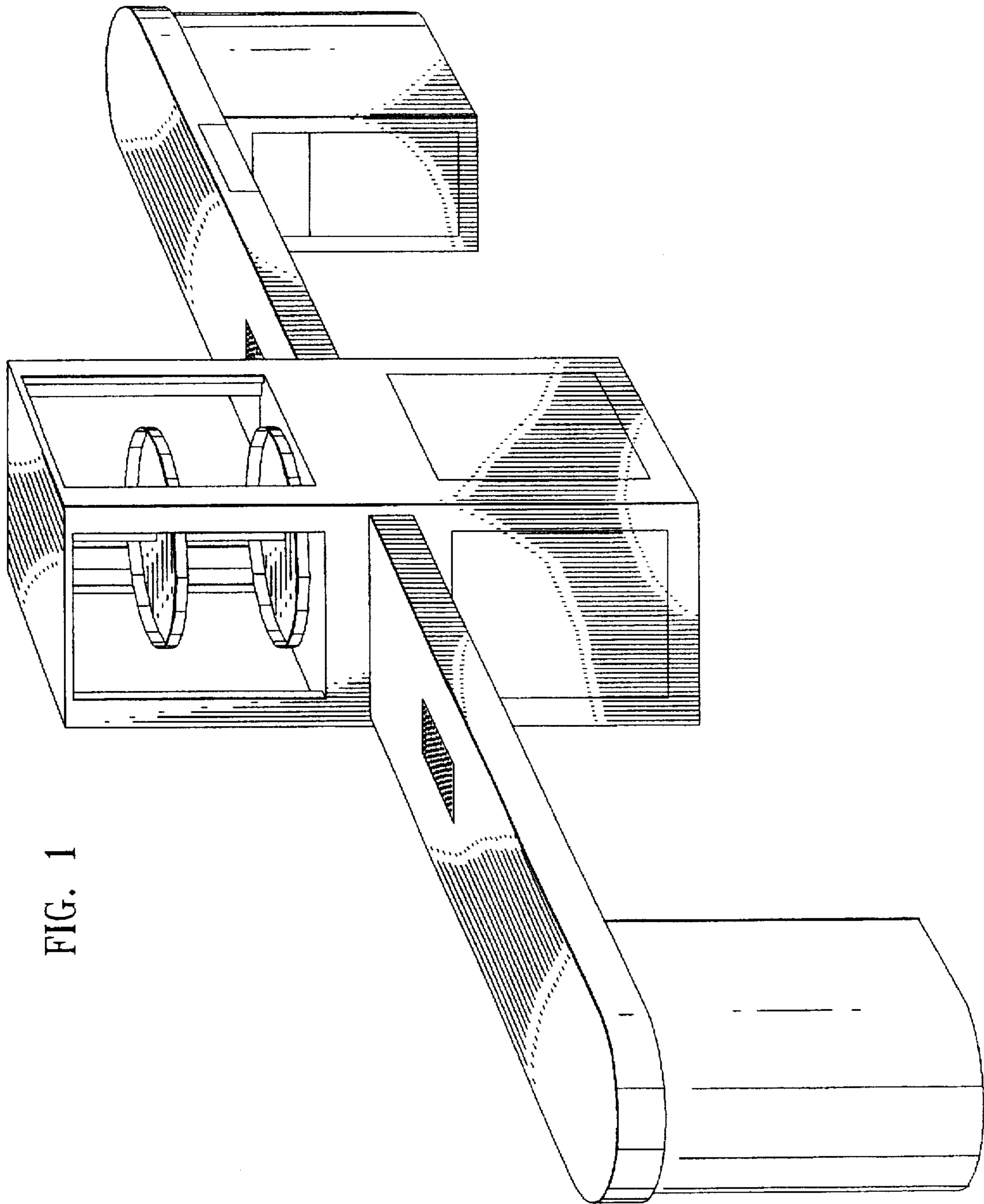


FIG. 1

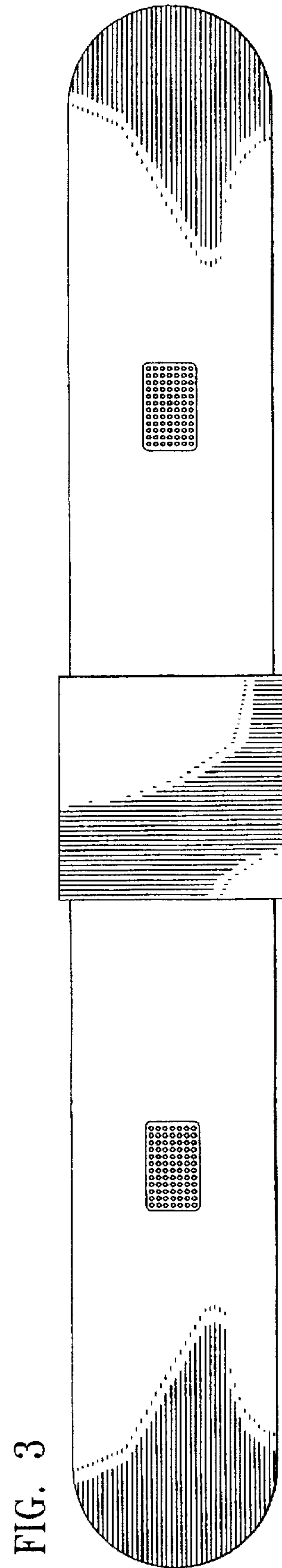
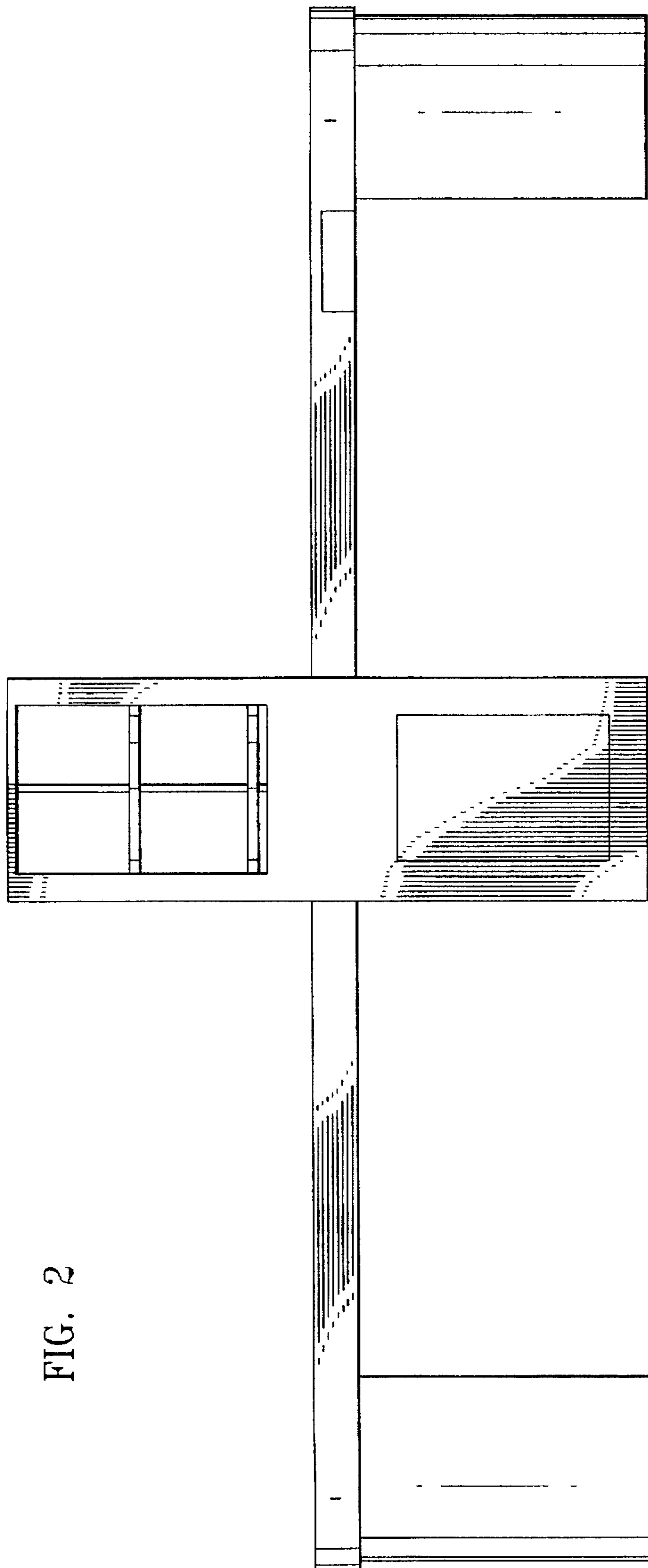


FIG. 4

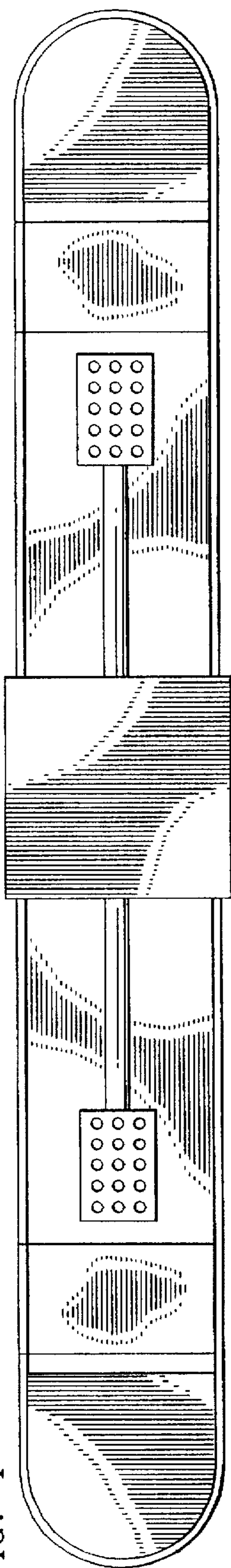


FIG. 5

