



US00D386624S

United States Patent [19]

[11] Patent Number: **Des. 386,624**

Meisner et al.

[45] Date of Patent: ****Nov. 25, 1997**

[54] WORKBENCH INCORPORATING A UNIVERSAL DRAWER ACCESSORY

[75] Inventors: **Edward H. Meisner**, Short Hills, N.J.;
Keith C. Kristiansen, Strafford, Conn.;
John E. Kiely, Morristown, N.J.;
Murray Hunter, Smith Falls, Canada

[73] Assignee: **Black & Decker, Inc.**, Newark, Del.

[**] Term: **14 Years**

[21] Appl. No.: **42,525**

[22] Filed: **Aug. 11, 1995**

[51] LOC (6) Cl. **06-03**

[52] U.S. Cl. **D6/400**

[58] Field of Search D6/400, 429; D8/74;
D25/67; 144/286 R, 287, 286 A; 269/139,
16

[56] References Cited

U.S. PATENT DOCUMENTS

D. 253,212	10/1979	Maruscak et al.	D6/400
D. 256,641	9/1980	Wilson et al.	D6/400
D. 288,234	2/1987	Blatherwick et al.	D6/471 X
D. 347,155	5/1994	Schlack et al. .	
686,271	11/1901	Dillenbeck et al. .	
1,323,915	12/1919	Schmitt .	
1,373,526	4/1921	Price et al. .	
2,637,358	4/1953	Larson .	
3,615,087	10/1971	Hickman .	
3,643,935	2/1972	Bell .	
3,841,619	10/1974	Hickman .	
3,851,756	12/1974	Brown .	
4,076,229	2/1978	Hickman .	
4,122,956	10/1978	Hargrove .	
4,154,435	5/1979	Alessio .	
4,155,386	5/1979	Alessio .	
4,239,195	12/1980	Oltman et al. .	
4,276,955	7/1981	Hickman .	
4,278,243	7/1981	Alessio .	
4,291,869	9/1981	Hickman	D25/67 X
4,442,779	4/1984	Basten et al.	269/139 X

(List continued on next page.)

FOREIGN PATENT DOCUMENTS

7530441	4/1976	France .
2655031A1	6/1978	Germany .
8702845	6/1989	Netherlands .
2164599	3/1986	United Kingdom .
2233885	1/1991	United Kingdom .
2267674	12/1993	United Kingdom .

Primary Examiner—Janice E. Seeger

Attorney, Agent, or Firm—Harness, Dickey & Pierce, P.L.C.

[57] CLAIM

The ornamental design for a workbench incorporating a universal drawer accessory, as shown and described.

DESCRIPTION

FIG. 1 is a front perspective view of the design for a workbench incorporating a universal drawer accessory according to the present invention shown in its opened position;

FIG. 2 is a front elevational view of the workbench incorporating a universal drawer accessory shown in FIG. 1;

FIG. 3 is a right side elevational view of the workbench incorporating a universal drawer accessory shown in FIG. 1;

FIG. 4 is a left side elevational view of the workbench incorporating a universal drawer accessory shown in FIG. 1;

FIG. 5 is a rear elevational view of the workbench incorporating a universal drawer accessory shown in FIG. 1;

FIG. 6 is a top plan view of the workbench incorporating a universal drawer accessory shown in FIG. 1;

FIG. 7 is a front perspective view of the design for a workbench incorporating a universal drawer accessory according to the present invention shown in a folded position;

FIG. 8 is a front elevational view of the workbench incorporating a universal drawer accessory shown in FIG. 7;

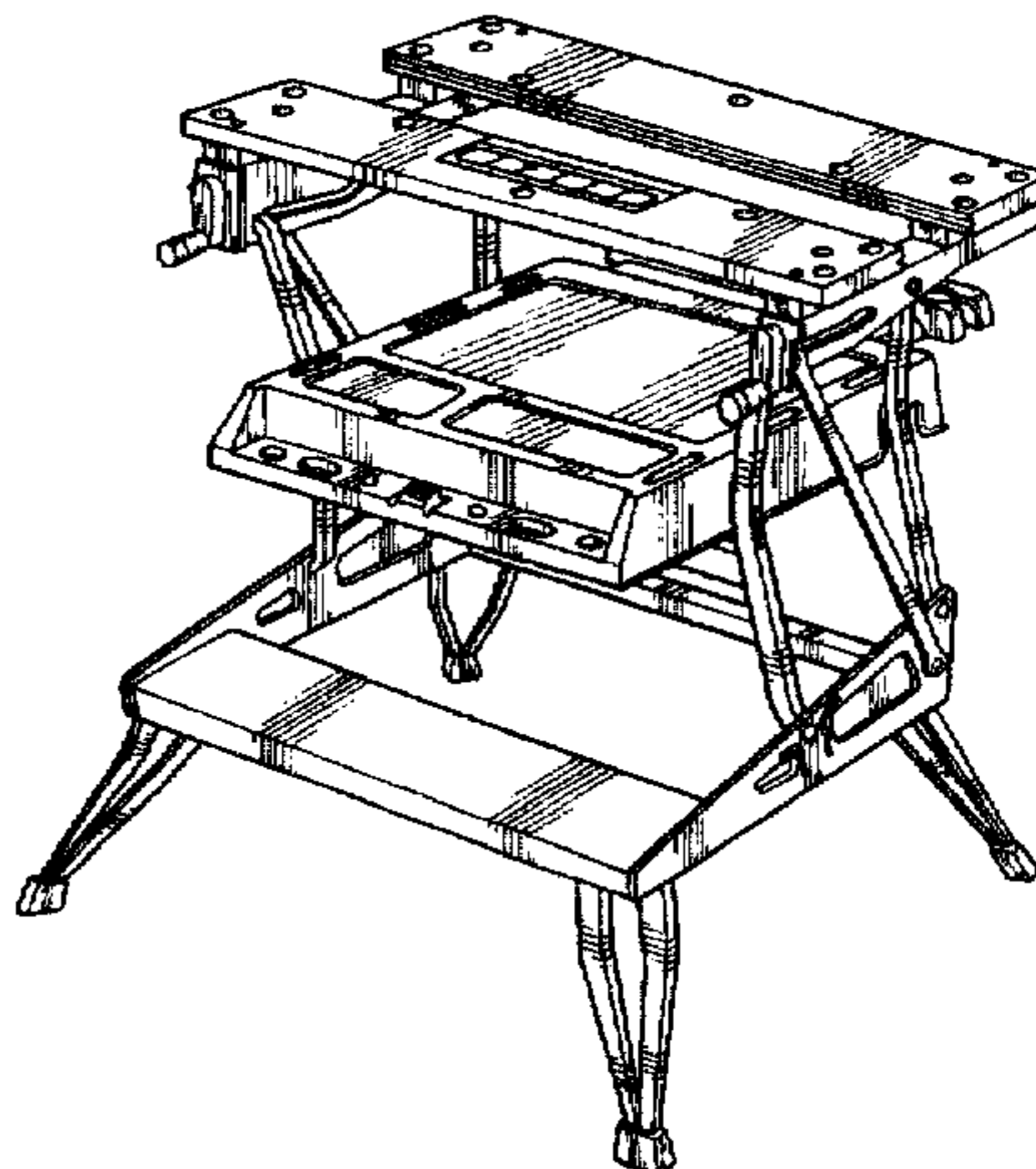
FIG. 9 is a right side elevational view of the workbench incorporating a universal drawer accessory shown in FIG. 7;

FIG. 10 is a left side elevational view of the workbench incorporating a universal drawer accessory shown in FIG. 7;

FIG. 11 is a rear elevational view of the workbench incorporating a universal drawer accessory shown in FIG. 7; and,

FIG. 12 is a top plan view of the workbench incorporating a universal drawer accessory shown in FIG. 7.

1 Claim, 9 Drawing Sheets



U.S. PATENT DOCUMENTS

4,475,727	10/1984	Goulter .	4,925,041	5/1990	Pehr .
4,527,786	7/1985	Hsu .	4,985,962	1/1991	Weber .
4,542,924	9/1985	Brown et al. .	5,065,989	11/1991	Ho .
4,555,099	11/1985	Hilton .	5,067,535	11/1991	Wolff .
4,647,028	3/1987	Yang .	5,100,015	3/1992	Vanderstuyf .
4,730,731	3/1988	Allison .	5,121,952	6/1992	Jason .
4,757,849	7/1988	Morris .	5,135,036	8/1992	Caron .
4,874,025	10/1989	Cleveland .	5,158,329	10/1992	Schlack .
4,909,491	3/1990	Cheng .	5,213,913	5/1993	Anthony, III et al. .
			5,383,977	1/1995	Pearce 269/139 X

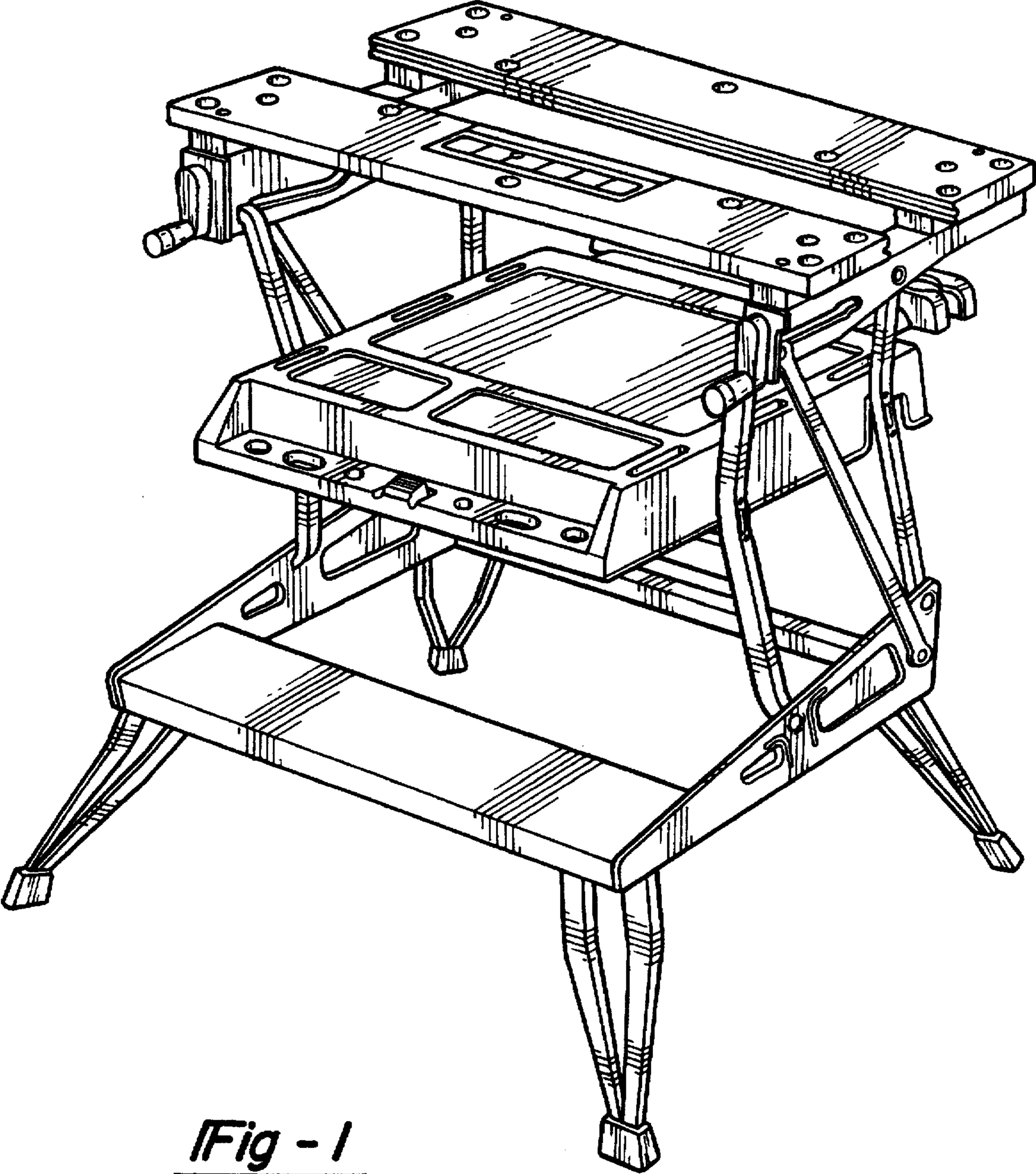


Fig - 1

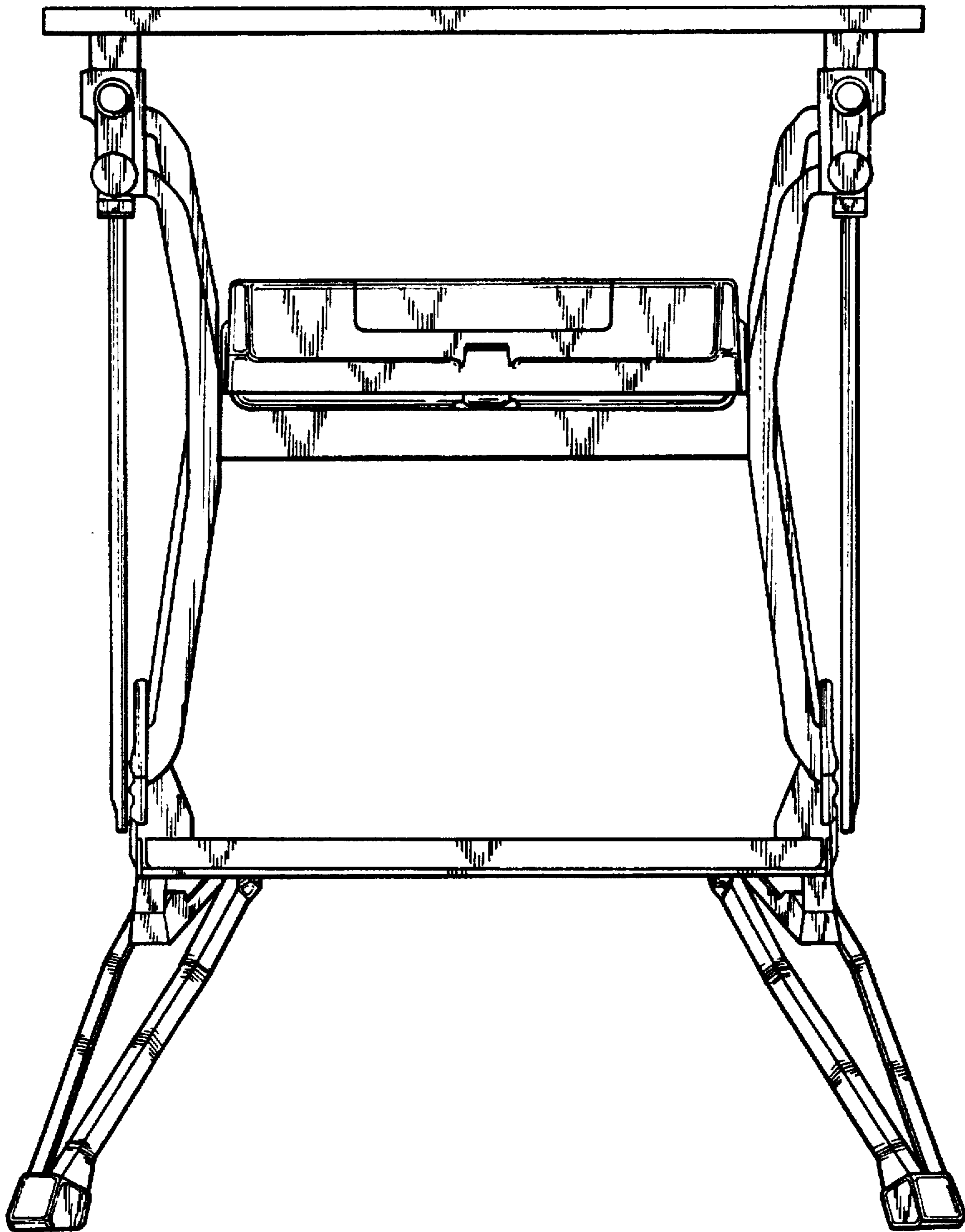
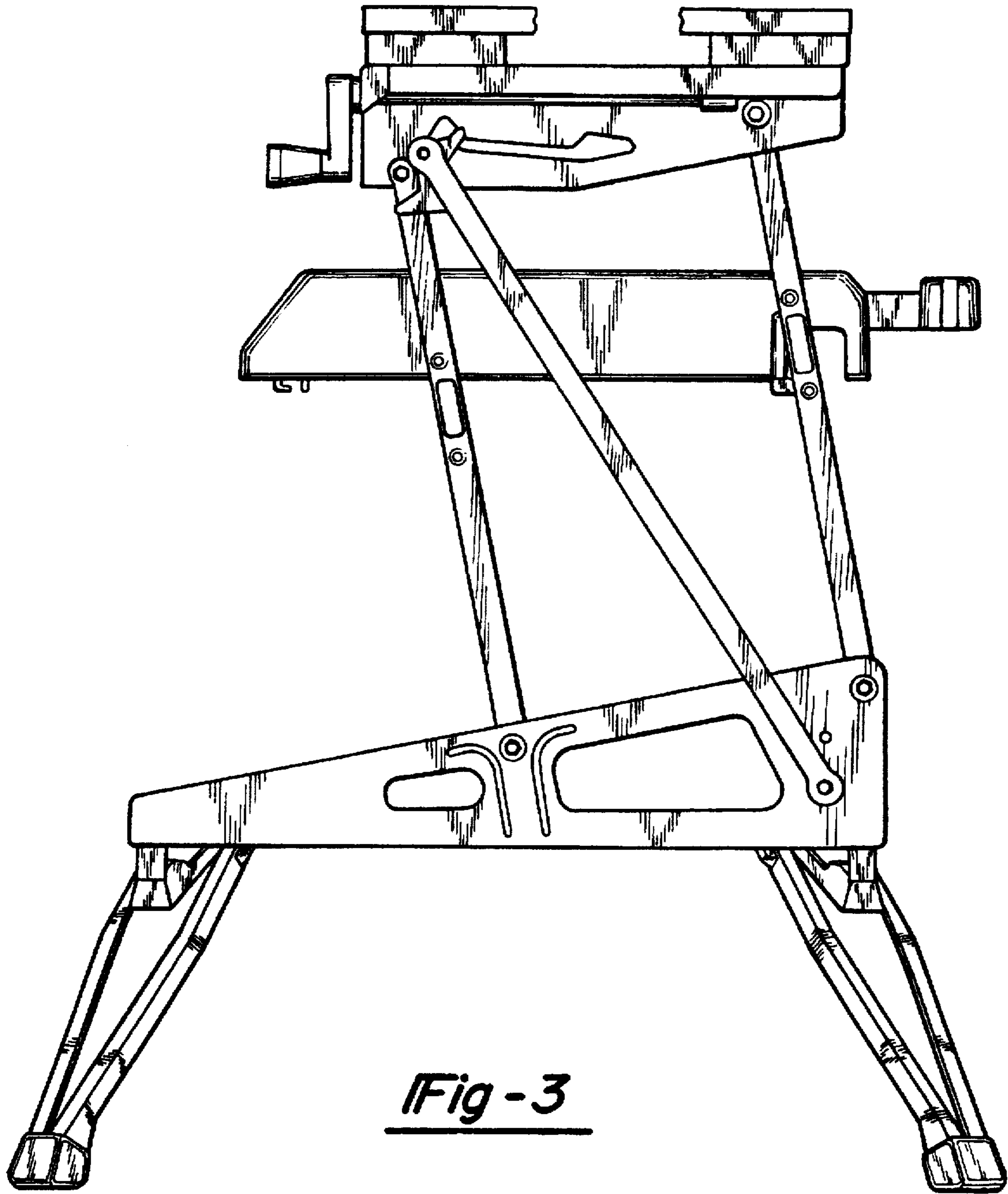
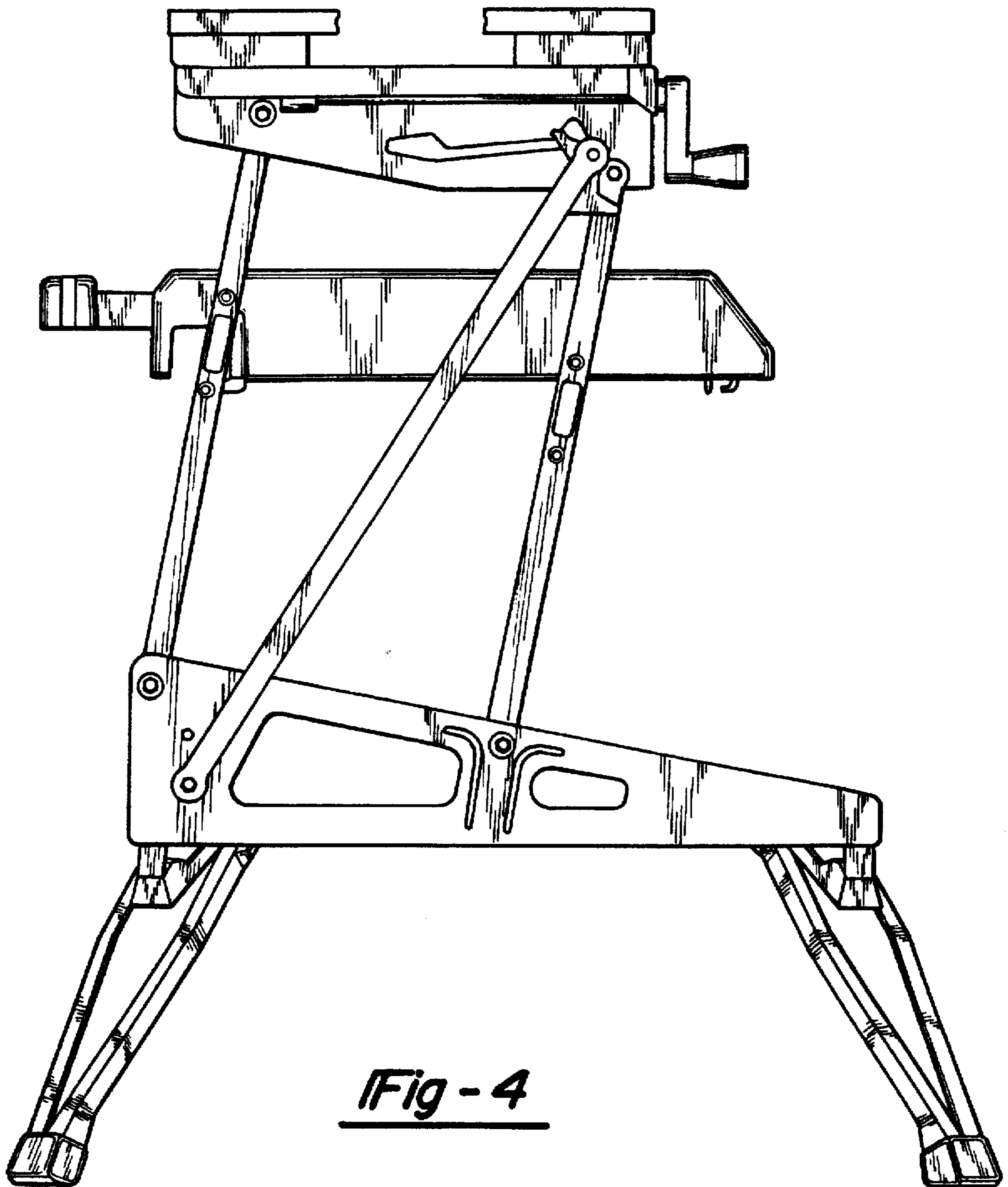


Fig - 2





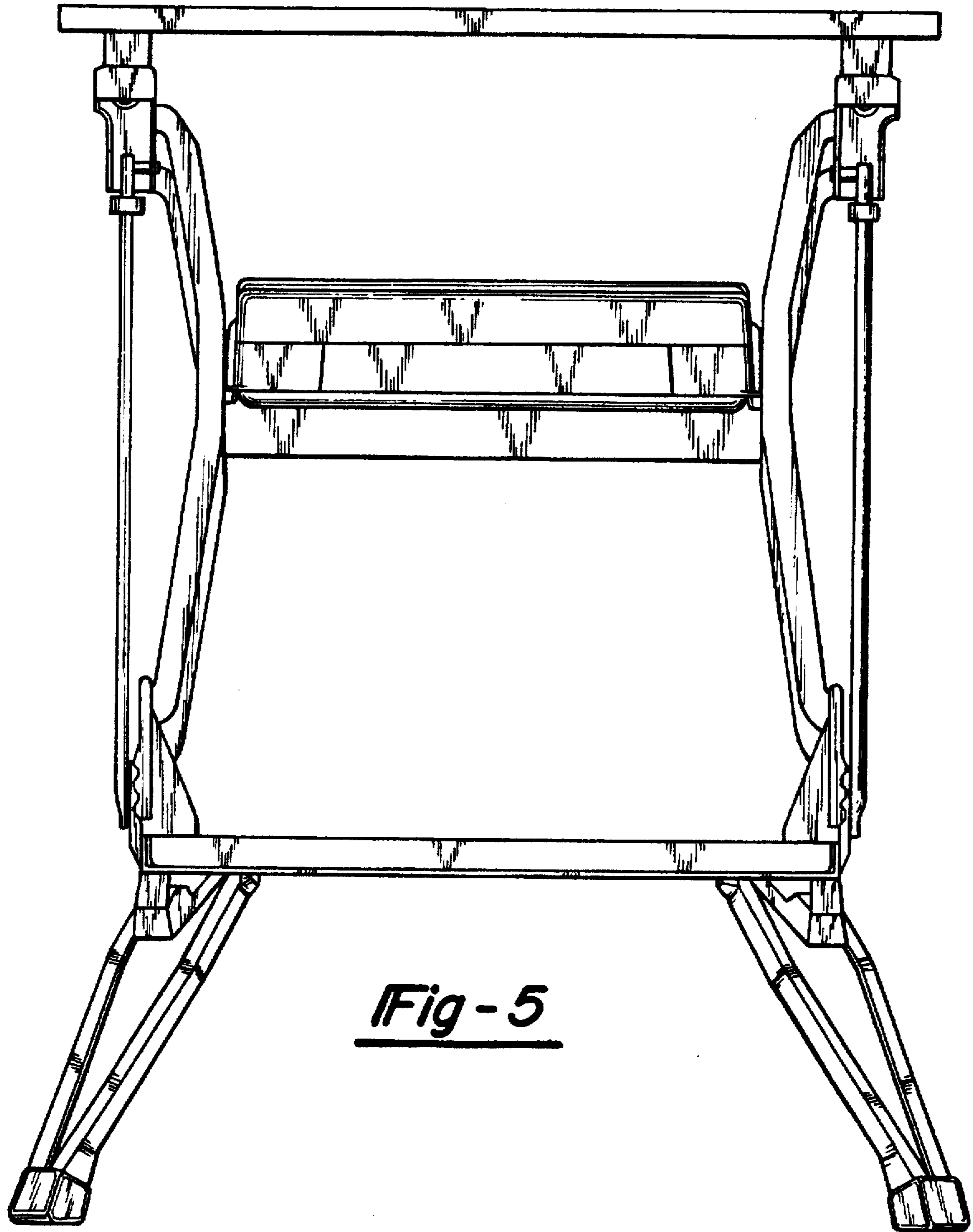


Fig - 5

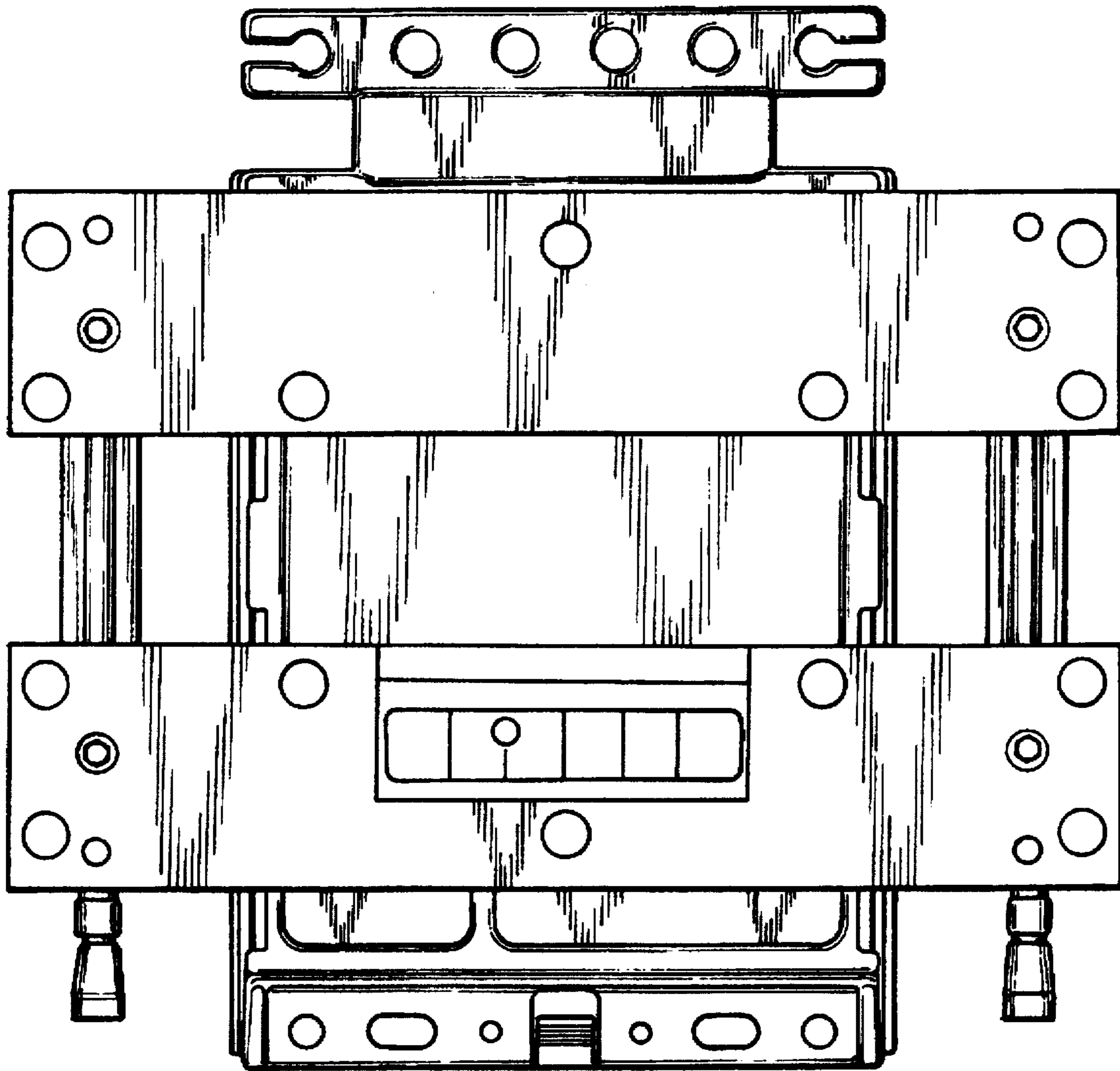


Fig - 6

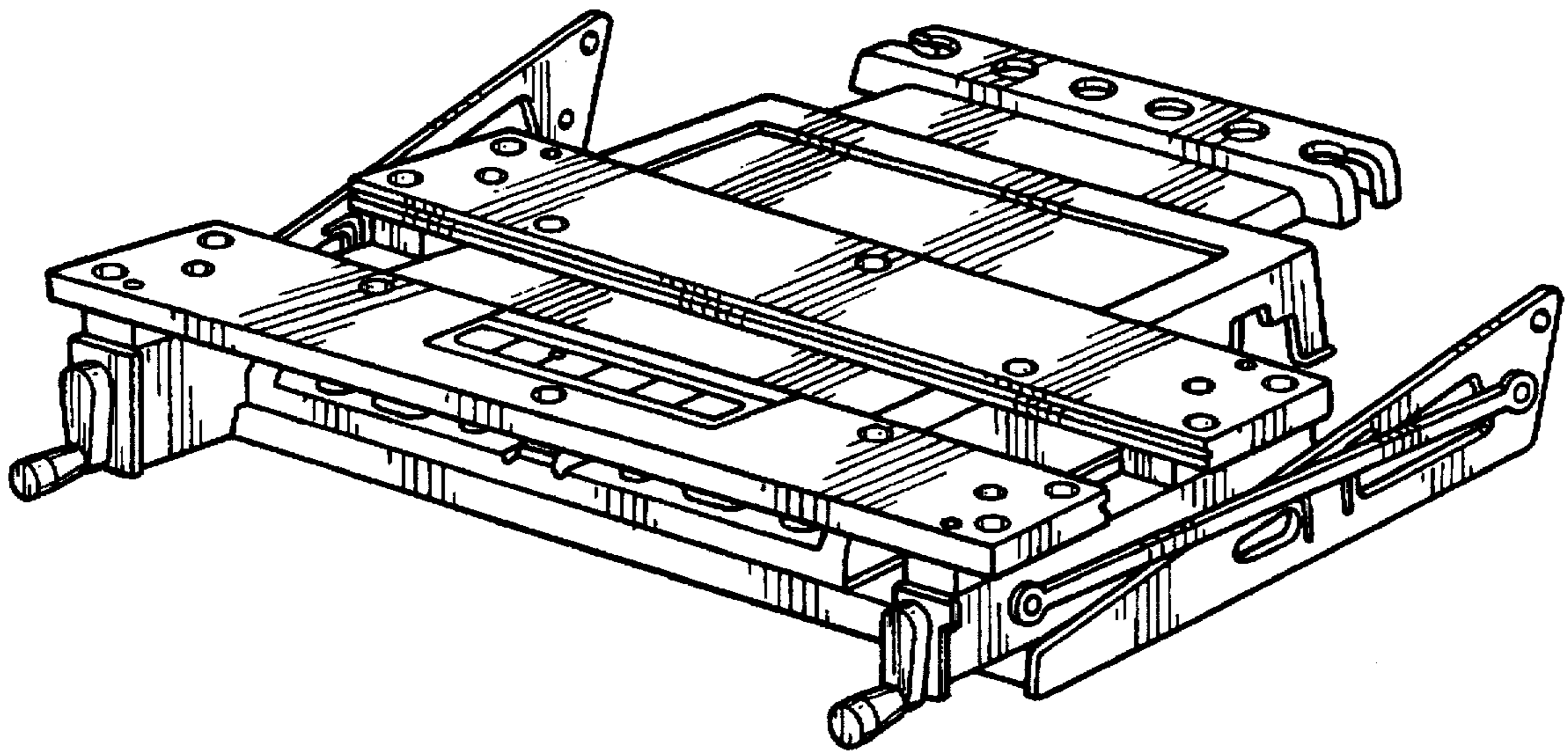


Fig - 7

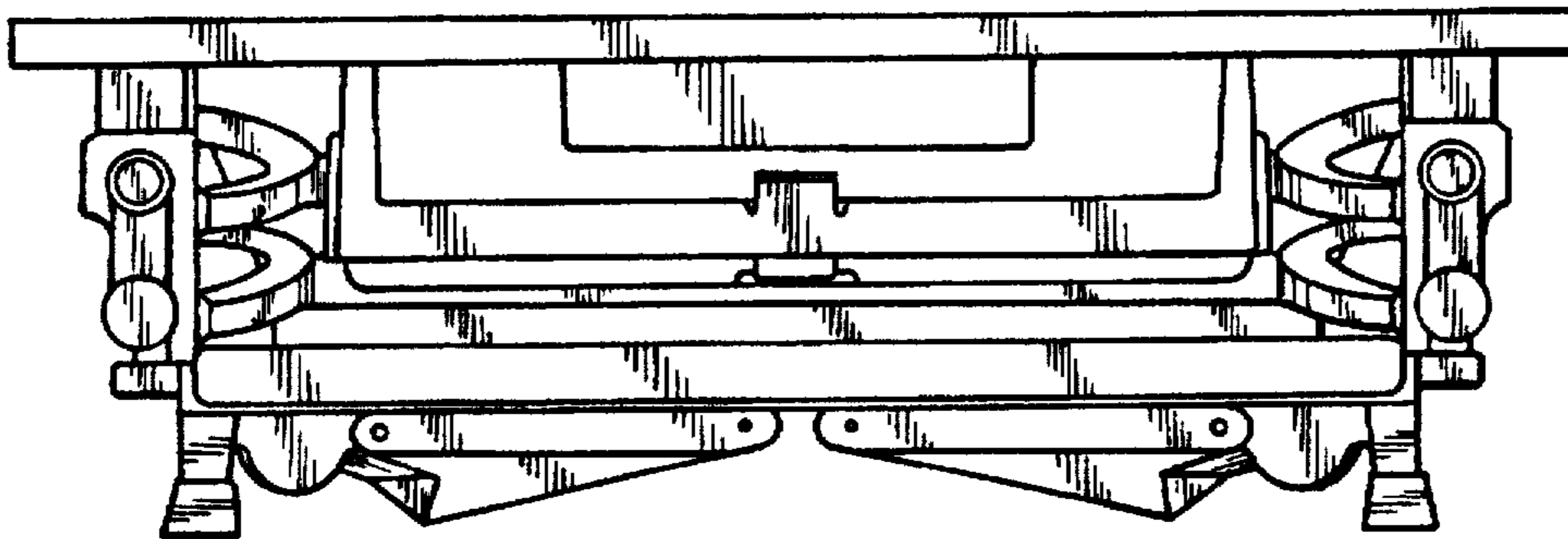


Fig - 8

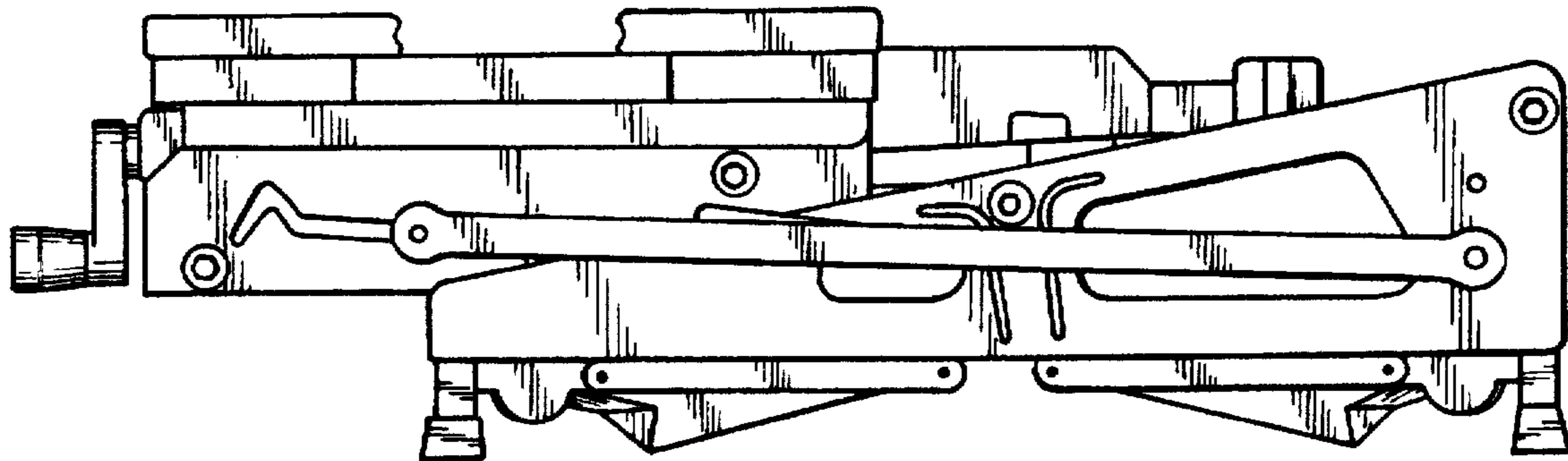


Fig - 9

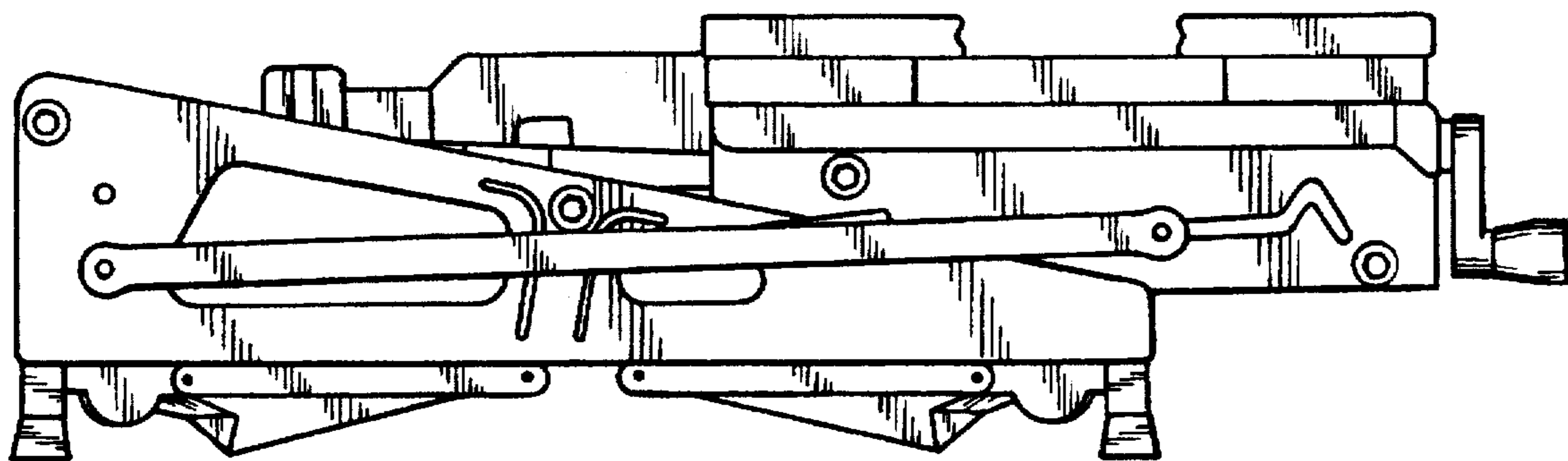


Fig - 10

Fig - 11

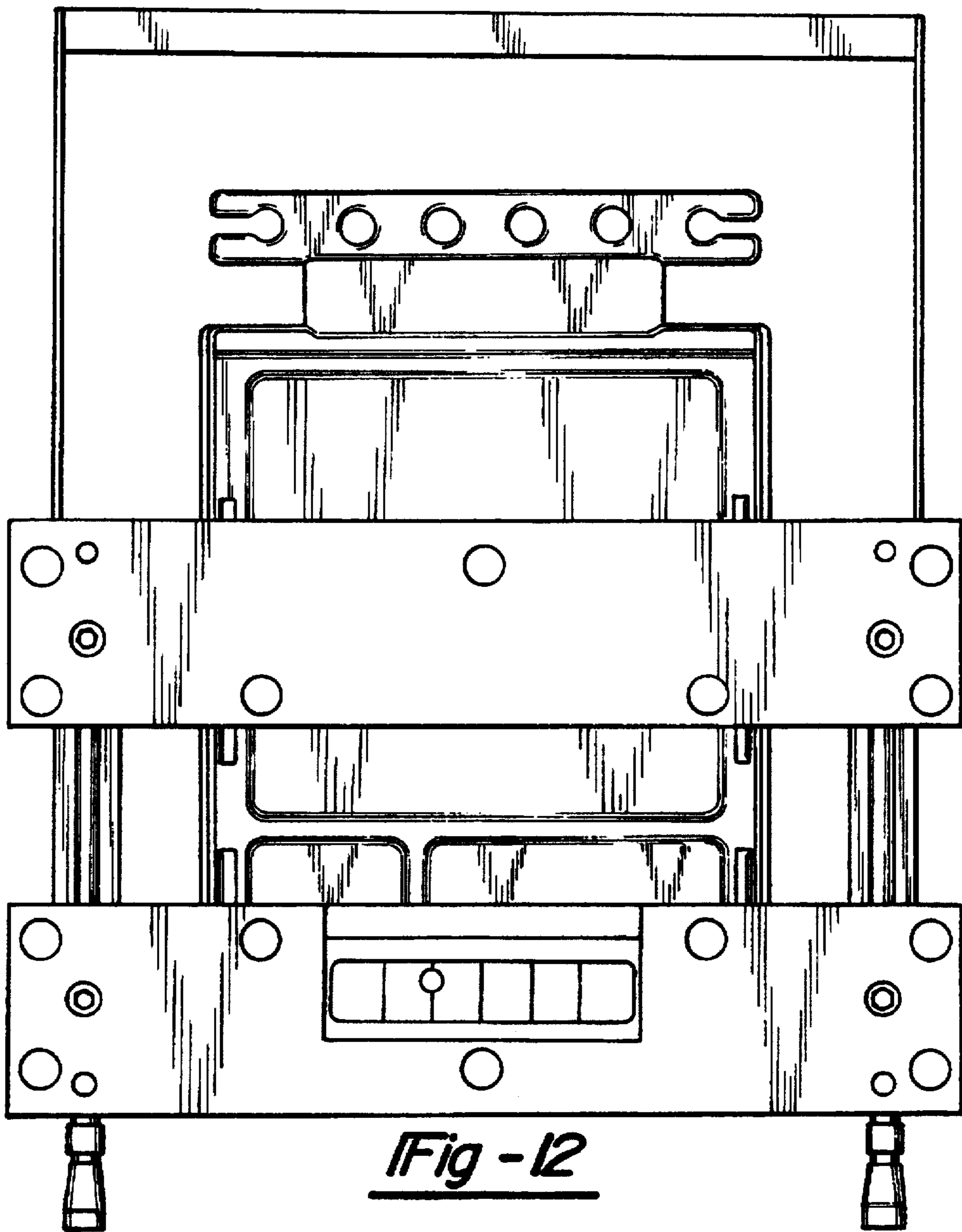
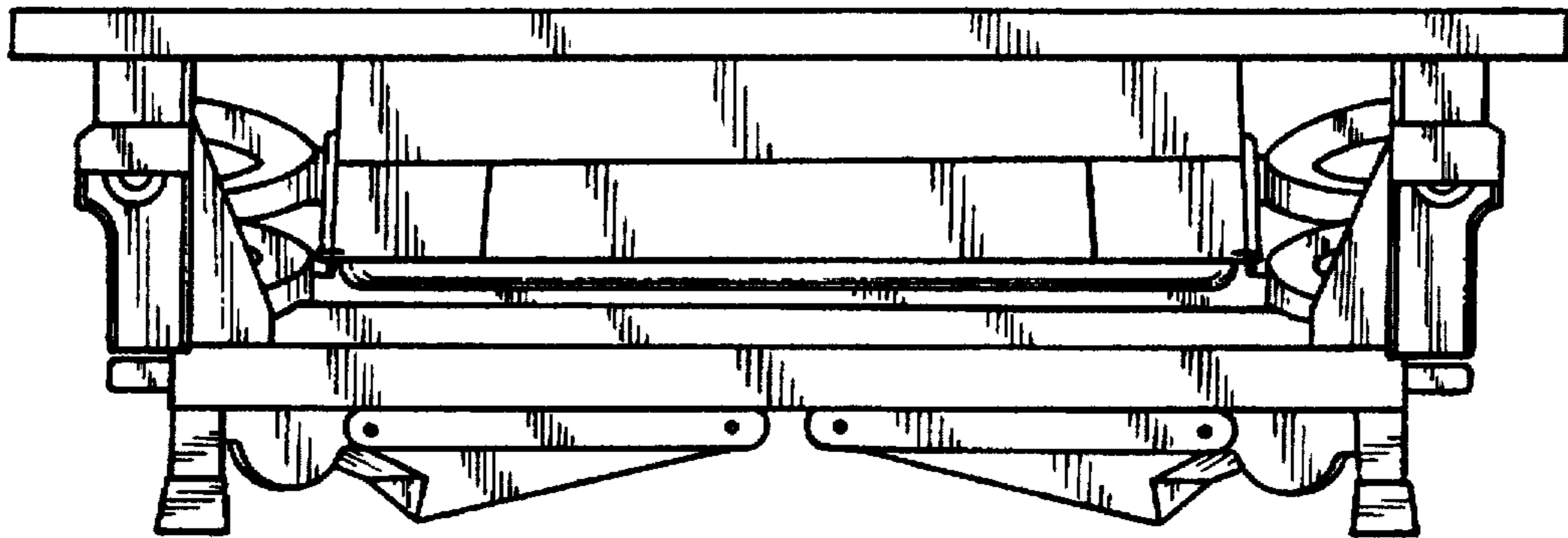


Fig - 12