



US00D386614S

**United States Patent** [19]  
**Smith**

[11] **Patent Number: Des. 386,614**  
[45] **Date of Patent: \*\*Nov. 25, 1997**

[54] **HAND LUGGAGE FOR CARRYING PET SUPPLIES**

[76] Inventor: **Judy Smith**, P.O. Box 1784,  
Middleburg, Va. 22117

[\*\*] Term: **14 Years**

[21] Appl. No.: **46,204**

[22] Filed: **Nov. 9, 1995**

[51] LOC (6) Cl. .... **03-01**

[52] U.S. Cl. .... **D3/291; D3/284; D3/283;  
D3/273**

[58] **Field of Search** ..... D30/108-109,  
D30/161; 119/83, 482, 496-497, 453-454,  
165-168, 498-499; D3/242, 291, 272, 273,  
268, 284, 276, 283, 292, 294, 295

[56] **References Cited**

**U.S. PATENT DOCUMENTS**

D. 100,473	7/1936	Hershfield	.....	D3/272
D. 129,108	8/1941	Sprague	.....	D3/268
D. 143,491	1/1946	Hopkins	.....	D3/272
D. 202,160	8/1965	Territo	.....	D3/284
D. 211,526	6/1968	Ikelheimer	.....	D30/109
D. 281,837	12/1985	Lin	.....	D3/284
3,487,814	1/1970	Ingebritsen	.....	119/497
3,890,932	6/1975	Sanzone et al.	.....	119/19
3,941,092	3/1976	Winters	.....	119/19
4,119,181	10/1978	Jones	.....	119/83
4,171,683	10/1979	Godin	.....	119/482
4,484,540	11/1984	Yamamoto	.....	119/497
4,779,567	10/1988	Smith	.....	119/165
5,134,974	8/1992	Houser	.....	119/168

*Primary Examiner*—Cathy Anne MacCormac  
*Attorney, Agent, or Firm*—Aquilino & Welsh

[57] **CLAIM**

The ornamental design for a hand luggage for carrying pet supplies, as shown and described.

**DESCRIPTION**

FIG. 1 is a perspective view of a hand luggage for carrying pet supplies showing my new design;

FIG. 2 is a front elevation view thereof;

FIG. 3 is an end view thereof, the opposite end being a mirror image;

FIG. 4 is a top plan view thereof;

FIG. 5 is a rear elevation view thereof;

FIG. 6 is a bottom plan view thereof;

FIG. 7 is an internal view of the hand luggage for carrying pet supplies showing an open compartment and an identification label;

FIG. 8 is an exploded internal view of the hand luggage for carrying pet supplies showing a closed compartment and a detached identification label;

FIG. 9 is a perspective view of a hand luggage for carrying pet supplies showing an alternate design having a different external design than shown in FIGS. 1-6 and the same internal design as shown in FIGS. 7 and 8;

FIG. 10 is a front elevation view of the embodiment shown in FIG. 9;

FIG. 11 is an end view of the embodiment shown in FIG. 9, the opposite end being a mirror image;

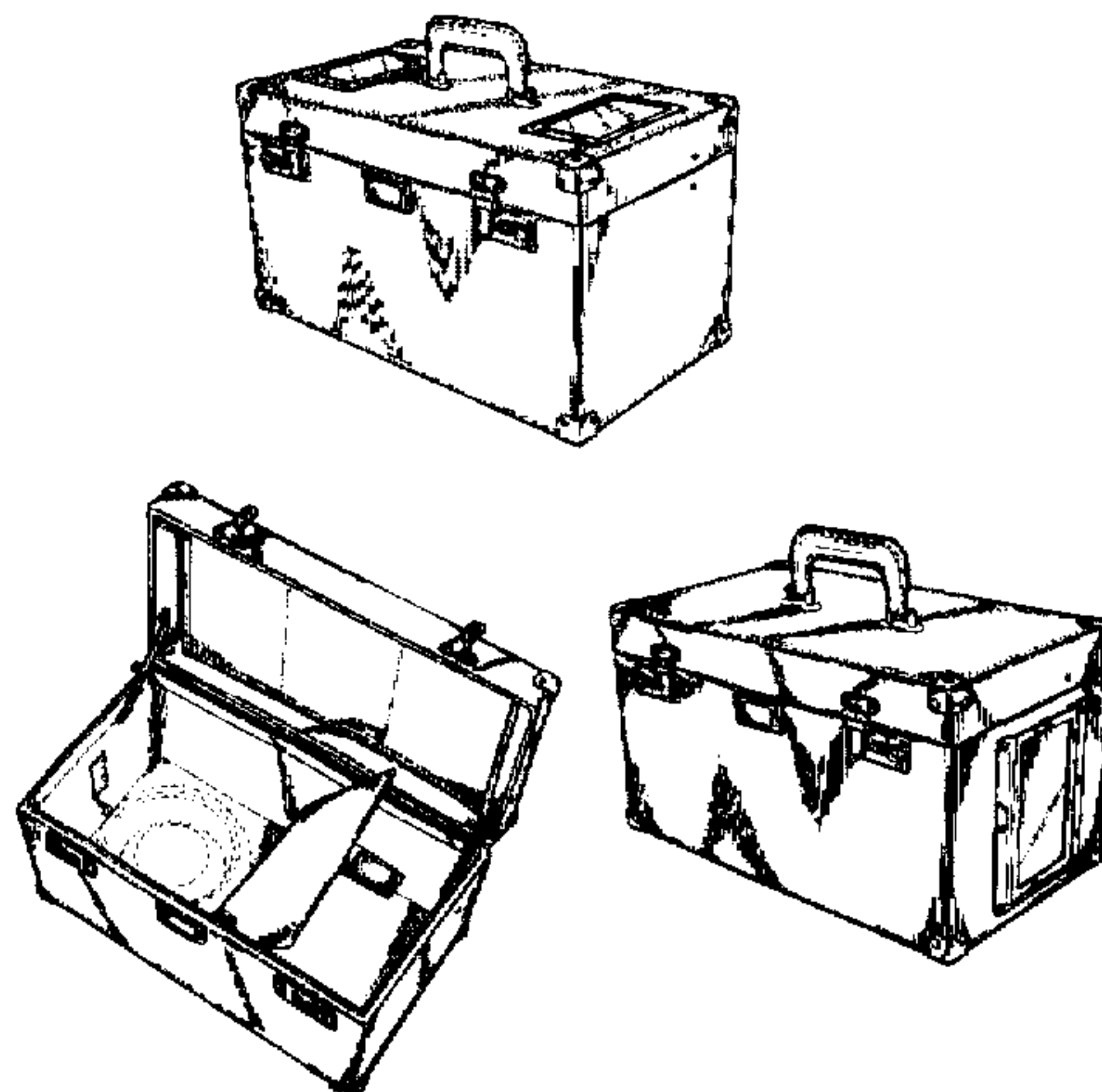
FIG. 12 is a top plan view of the embodiment shown in FIG. 9;

FIG. 13 is a rear elevation view of the embodiment shown in FIG. 9; and,

FIG. 14 is a bottom plan view of the embodiment shown in FIG. 9.

The broken lines in FIG. 7 are for purposes of illustration only and form no part of the claimed design. The dashed lines in all views represent conventional stitching.

**1 Claim, 14 Drawing Sheets**



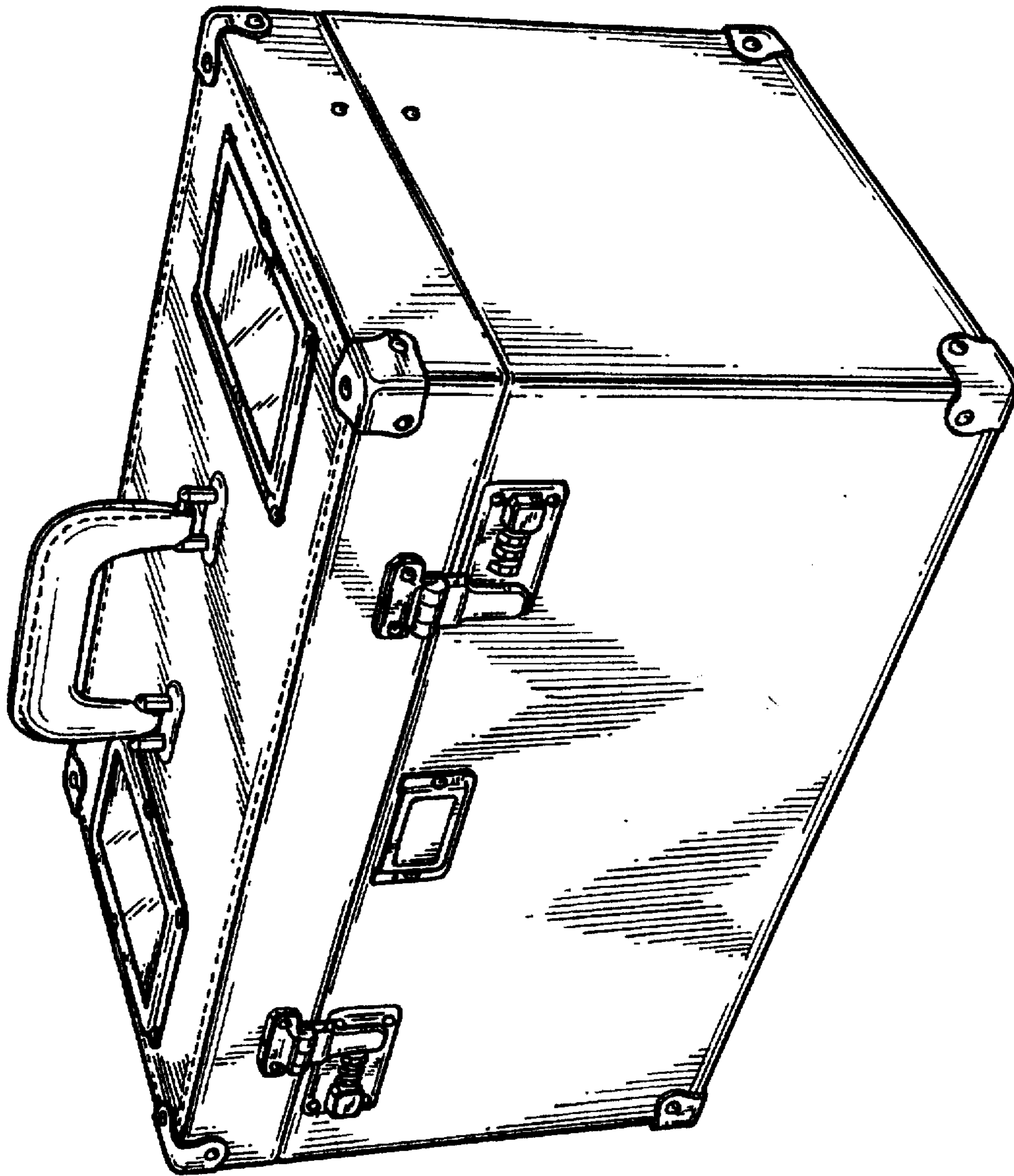


FIG. 1

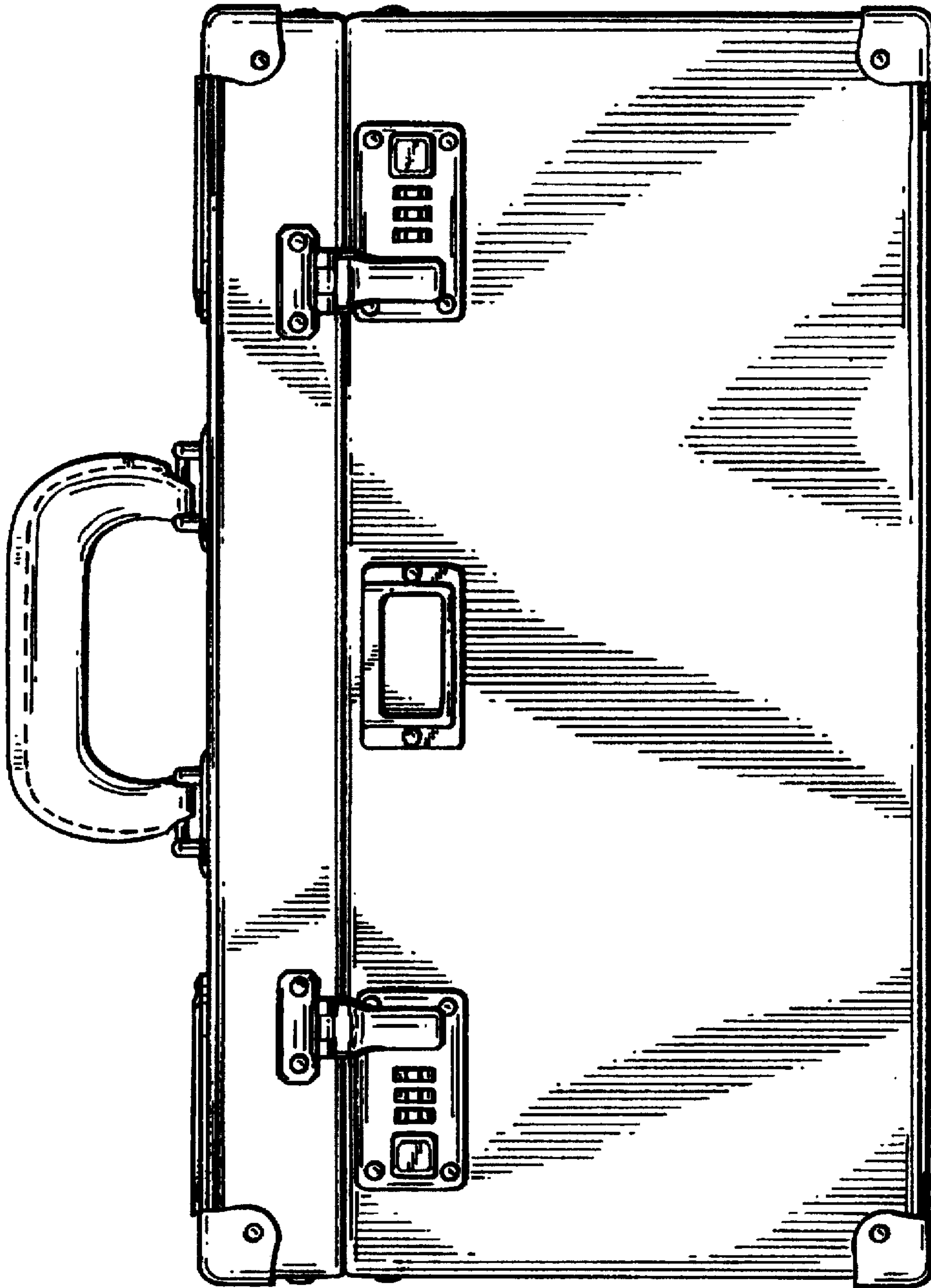


FIG. 2

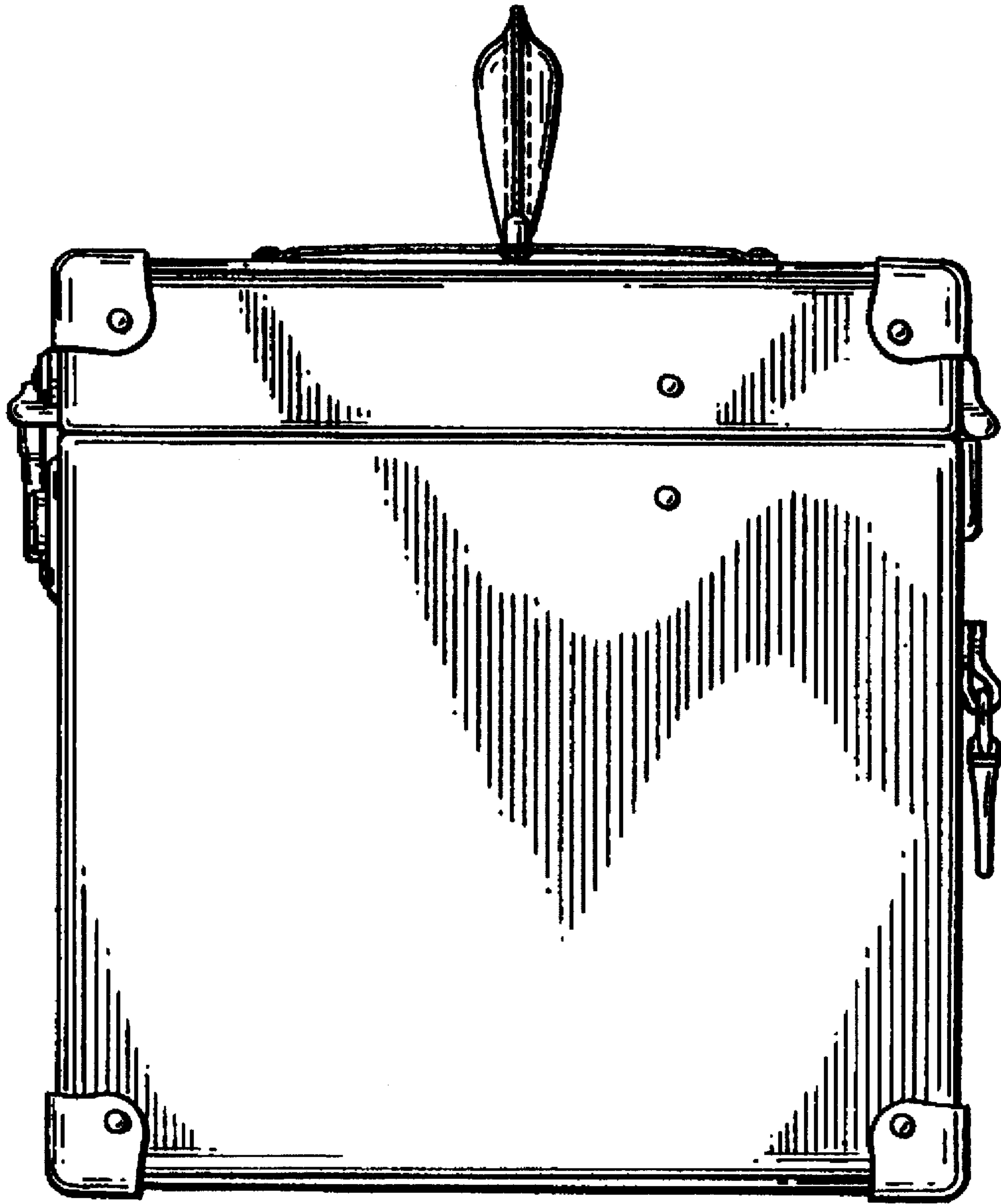


FIG. 3



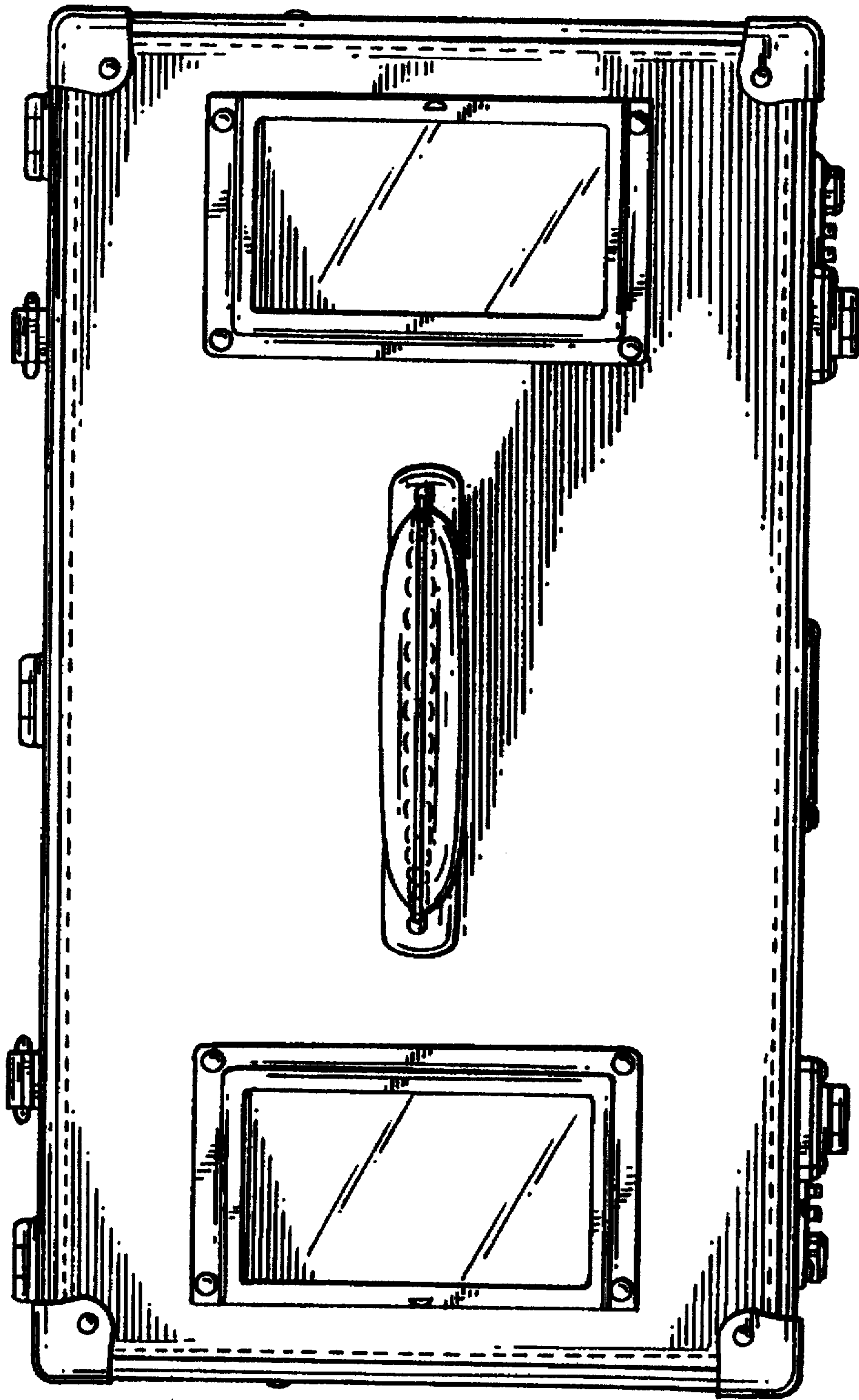


FIG. 4

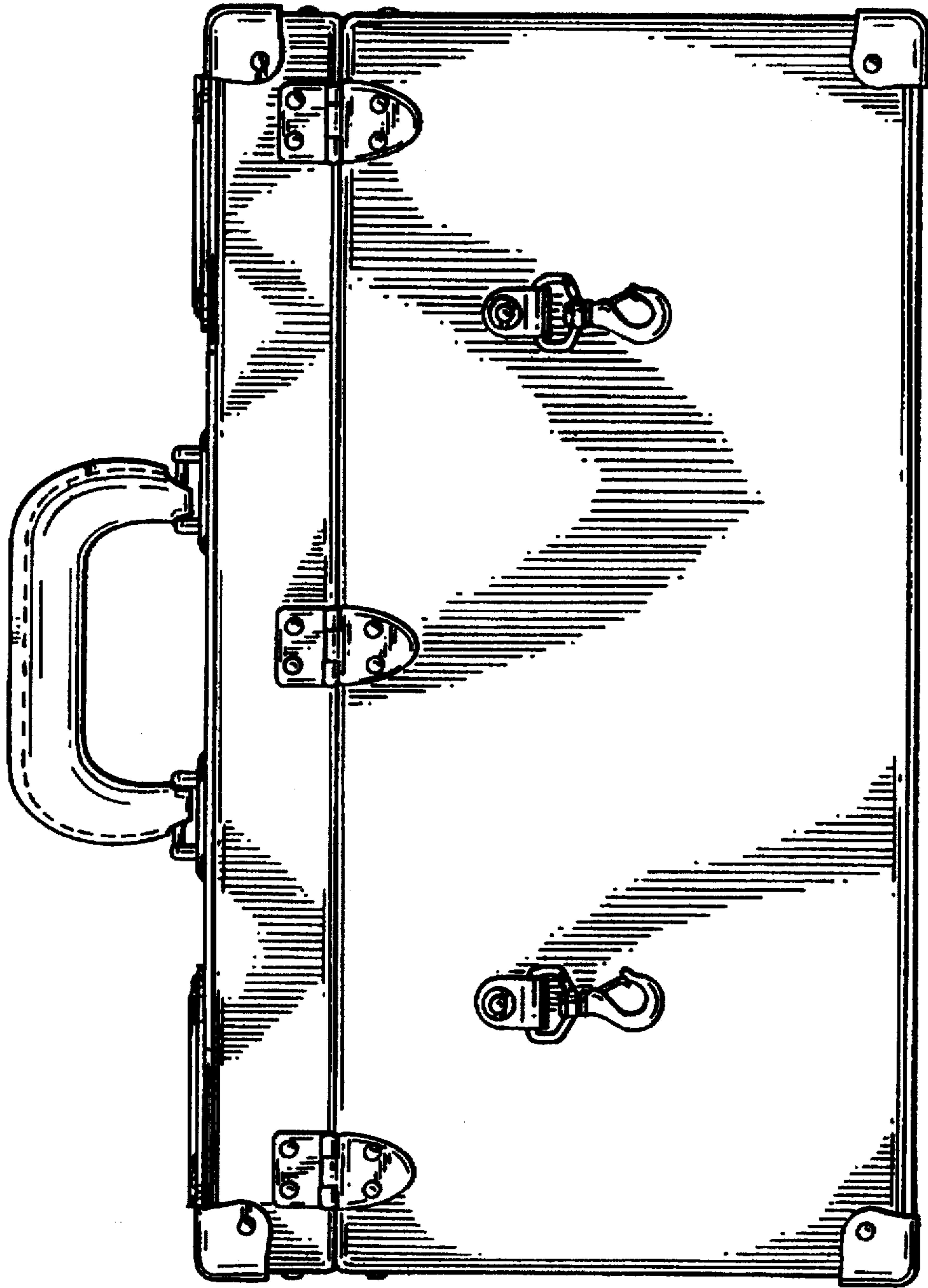


FIG. 5

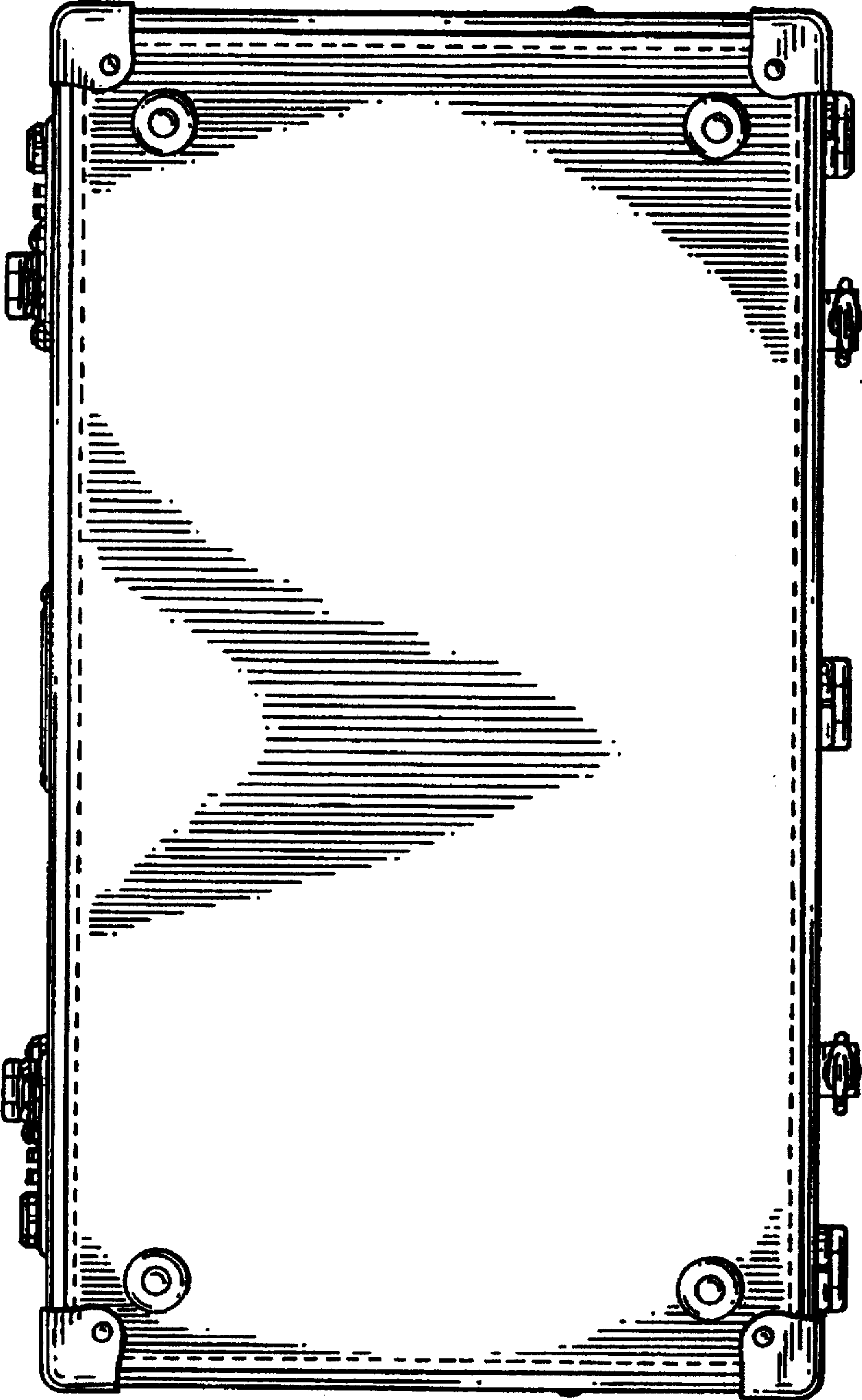


FIG. 6

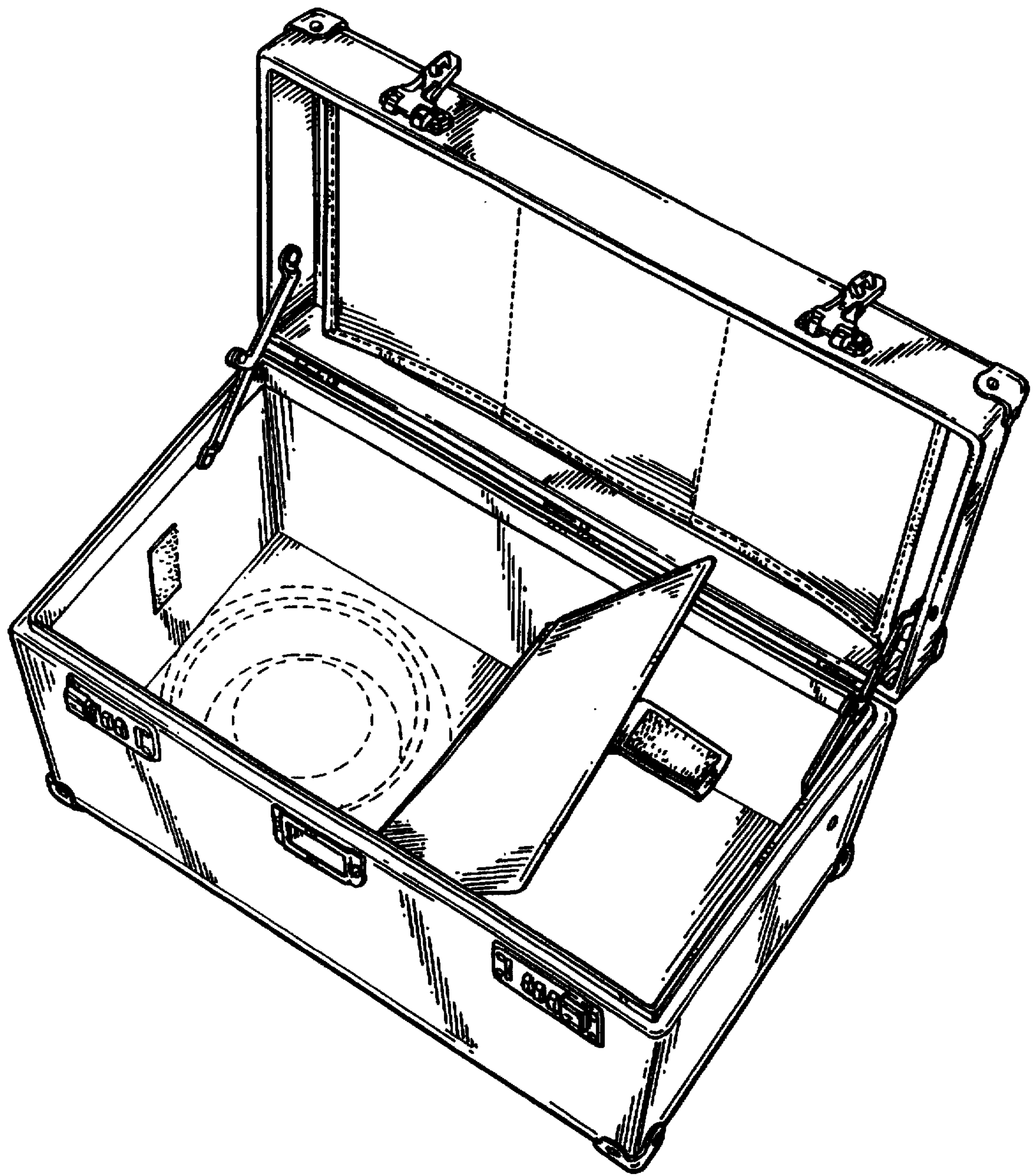
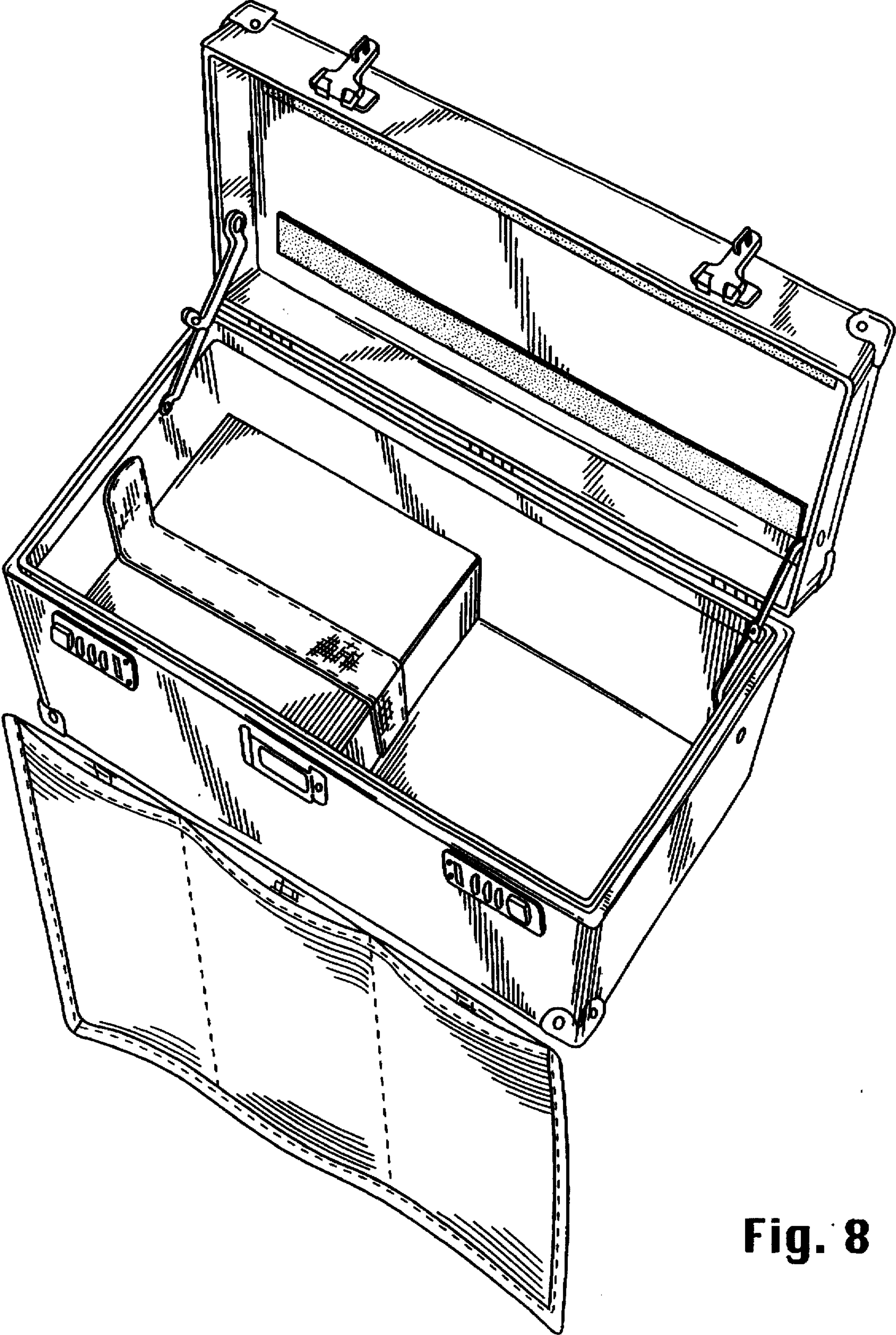


FIG. 7





**Fig. 8**

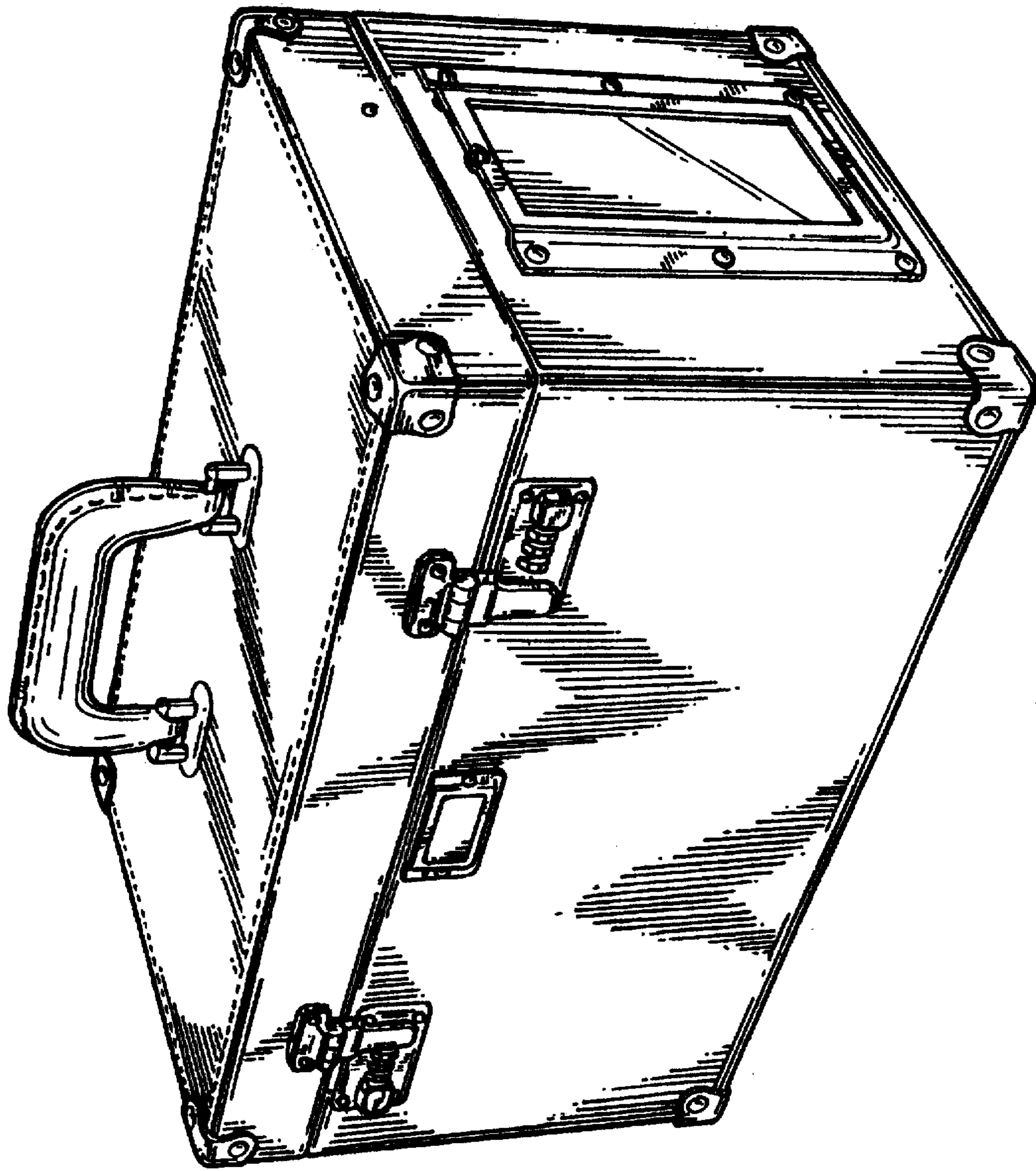


FIG. 9

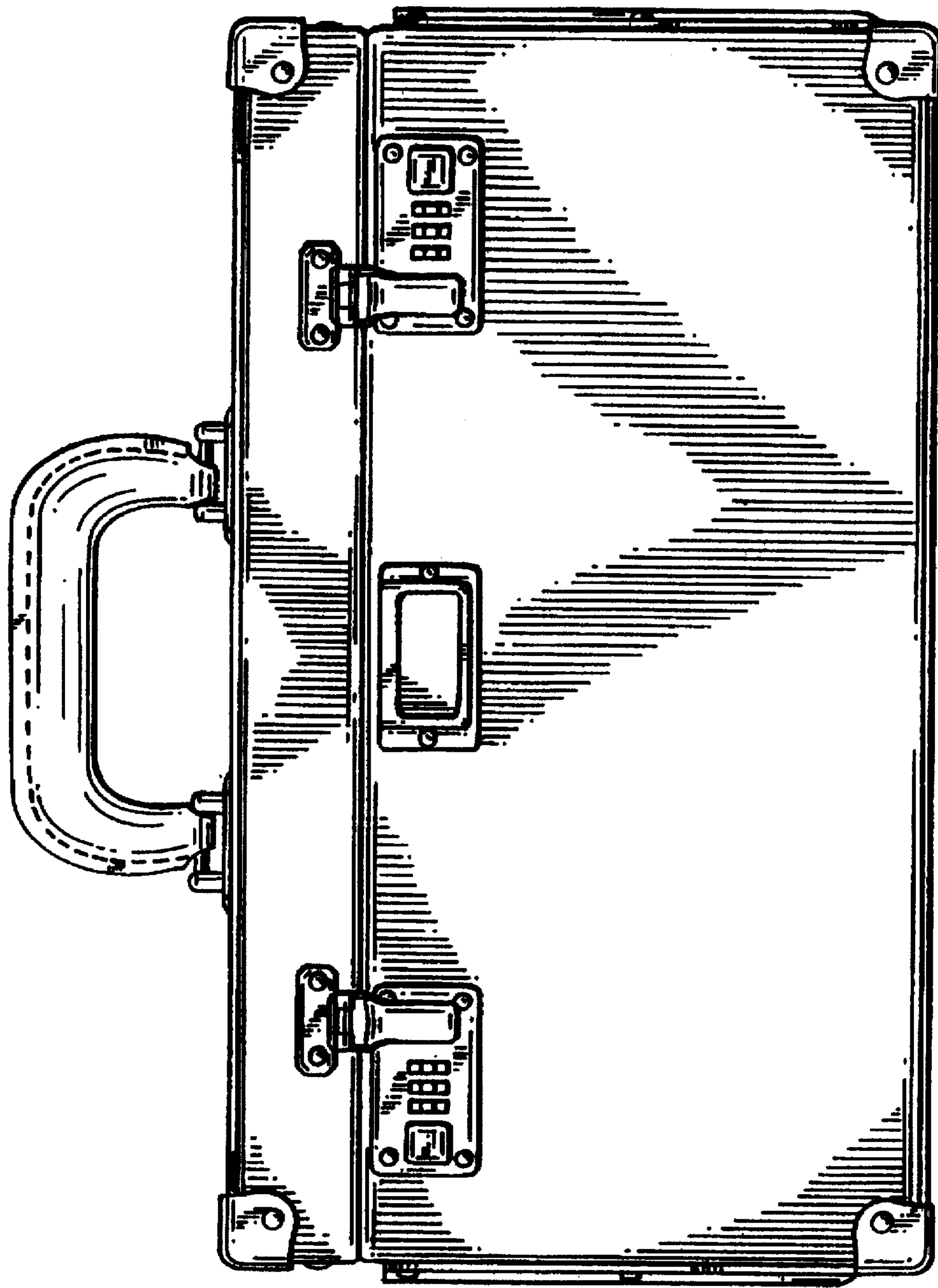


FIG. 10



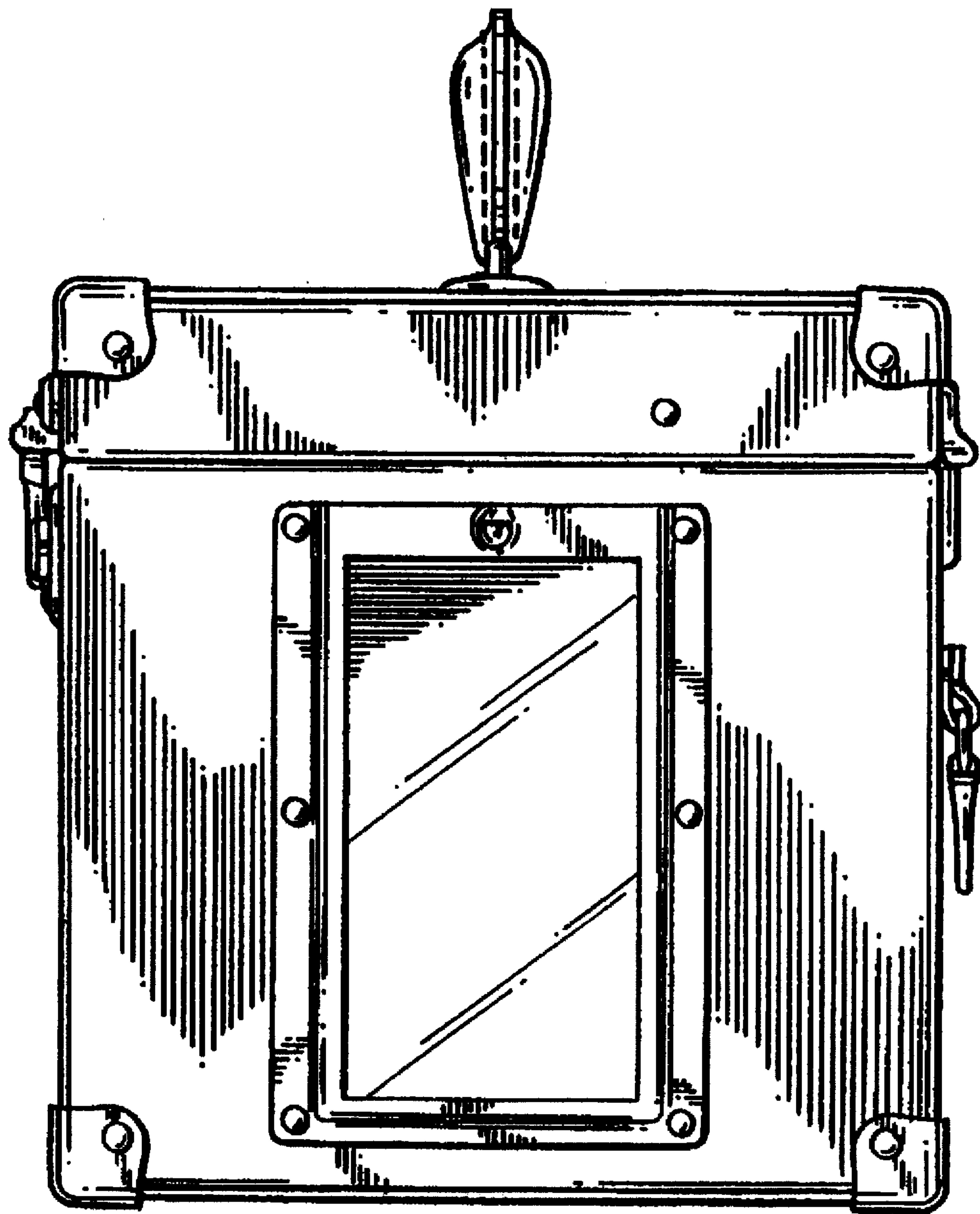


FIG.11



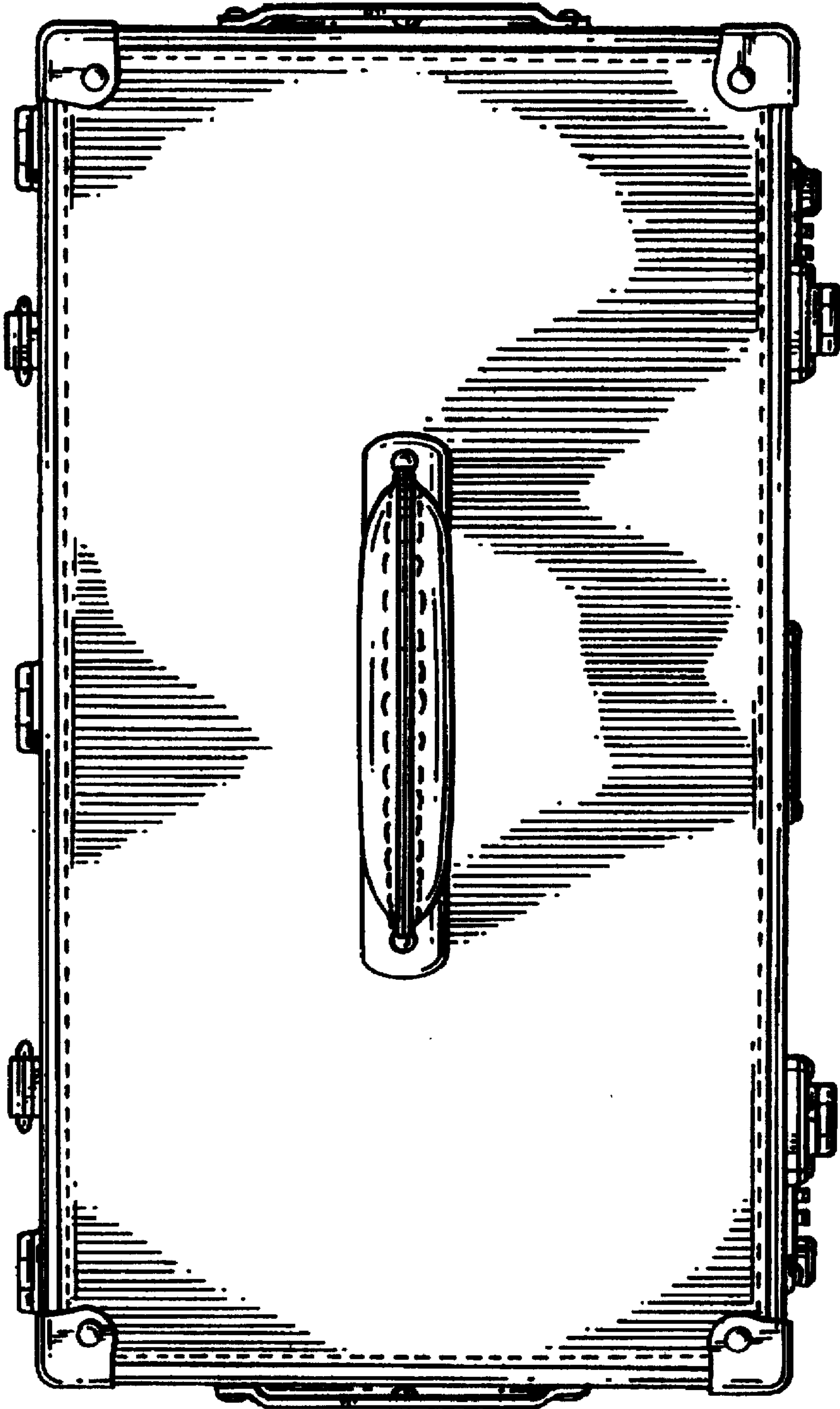


FIG. 12

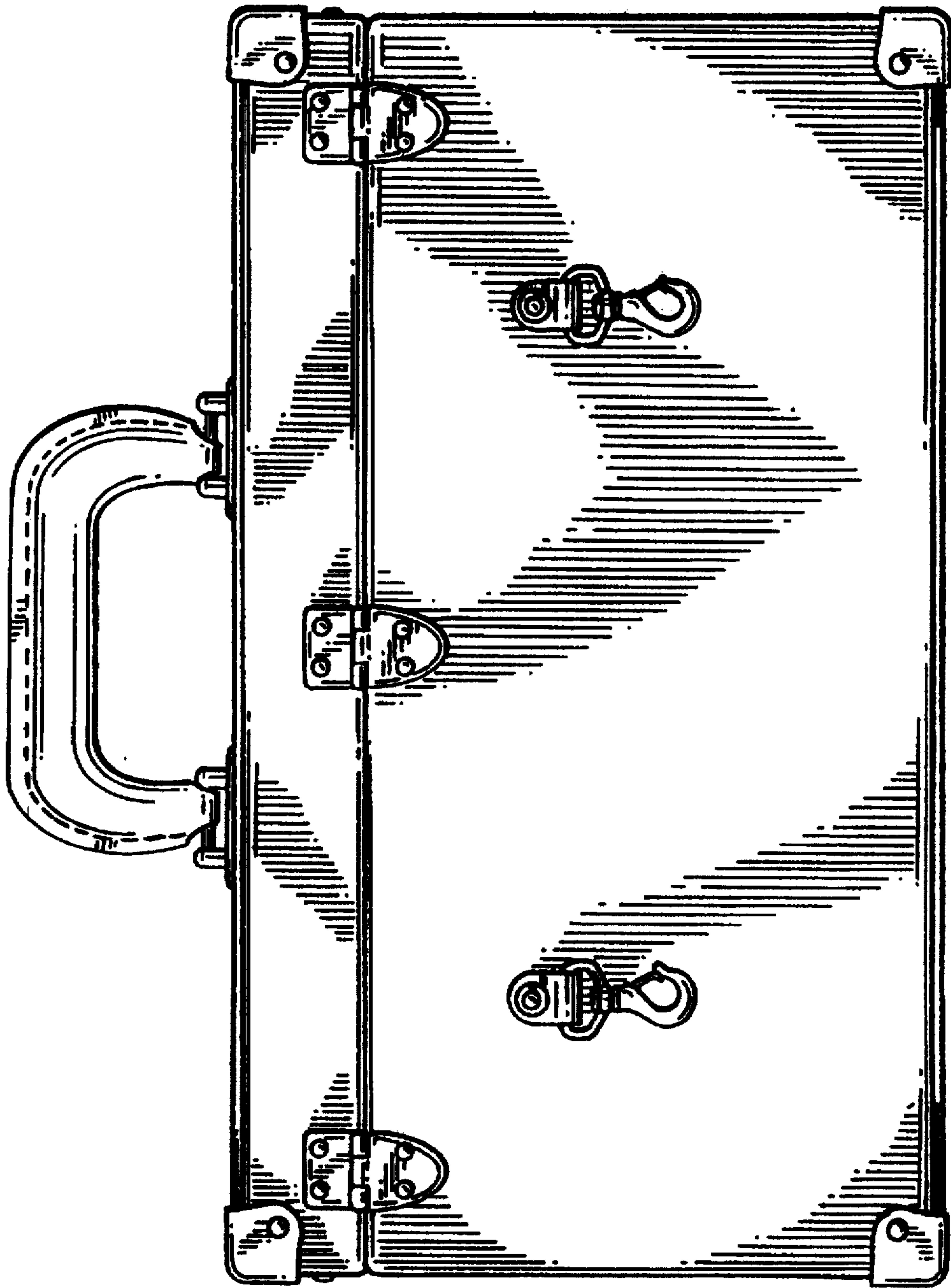


FIG. 13

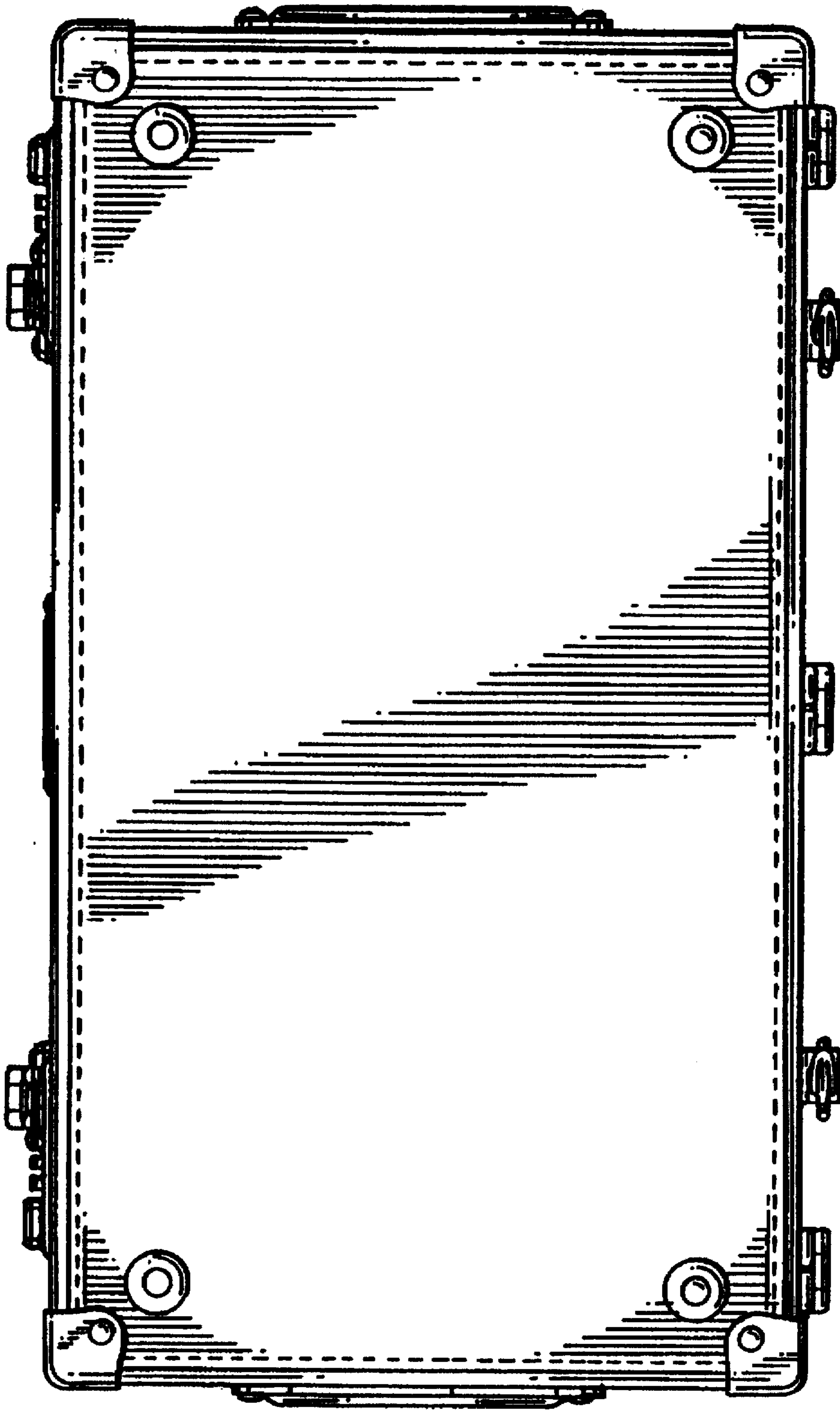


FIG. 14