



US00D386584S

United States Patent [19] Frei

[11] Patent Number: **Des. 386,584**

[45] Date of Patent: ****Nov. 18, 1997**

[54] TREATMENT COUCH

[76] Inventor: **Rudolf Frei**, Am Fischerrain 8,
D-79199 Kirchzarten, Germany

[**] Term: **14 Years**

[21] Appl. No.: **38,998**

[22] Filed: **May 18, 1995**

[30] Foreign Application Priority Data

Nov. 18, 1994 [XH] Hague Agreement DN/031326

[51] LOC (6) Cl. **24-01**

[52] U.S. Cl. **D24/183**

[58] Field of Search D24/183; 606/241-245

[56] References Cited

U.S. PATENT DOCUMENTS

D. 200,377	2/1965	Burzlauff et al.	D24/183
D. 240,867	8/1976	Blumberg	D24/183
3,281,141	10/1966	Smiley et al.	D24/183 X
4,856,497	8/1989	Westphal	606/242

OTHER PUBLICATIONS

One-page (p. 131) of a patent publication cited in an Office Action issued by the Russian Patent Office (no translation available).

Primary Examiner—Stella Reid
Attorney, Agent, or Firm—Panitch Schwarze Jacob & Nadel, P.C.

[57] CLAIM

The ornamental design for a treatment couch, as shown and described.

DESCRIPTION

FIG. 1 is a front elevational view of a treatment couch showing my new design, the rear elevational view being a mirror image thereof;
FIG. 2 is a top plan view thereof;
FIG. 3 is a left side elevational view;
FIG. 4 is a right side elevational view thereof;
FIG. 5 is a bottom plan view thereof; and,
FIG. 6 is a front perspective view thereof.

1 Claim, 2 Drawing Sheets

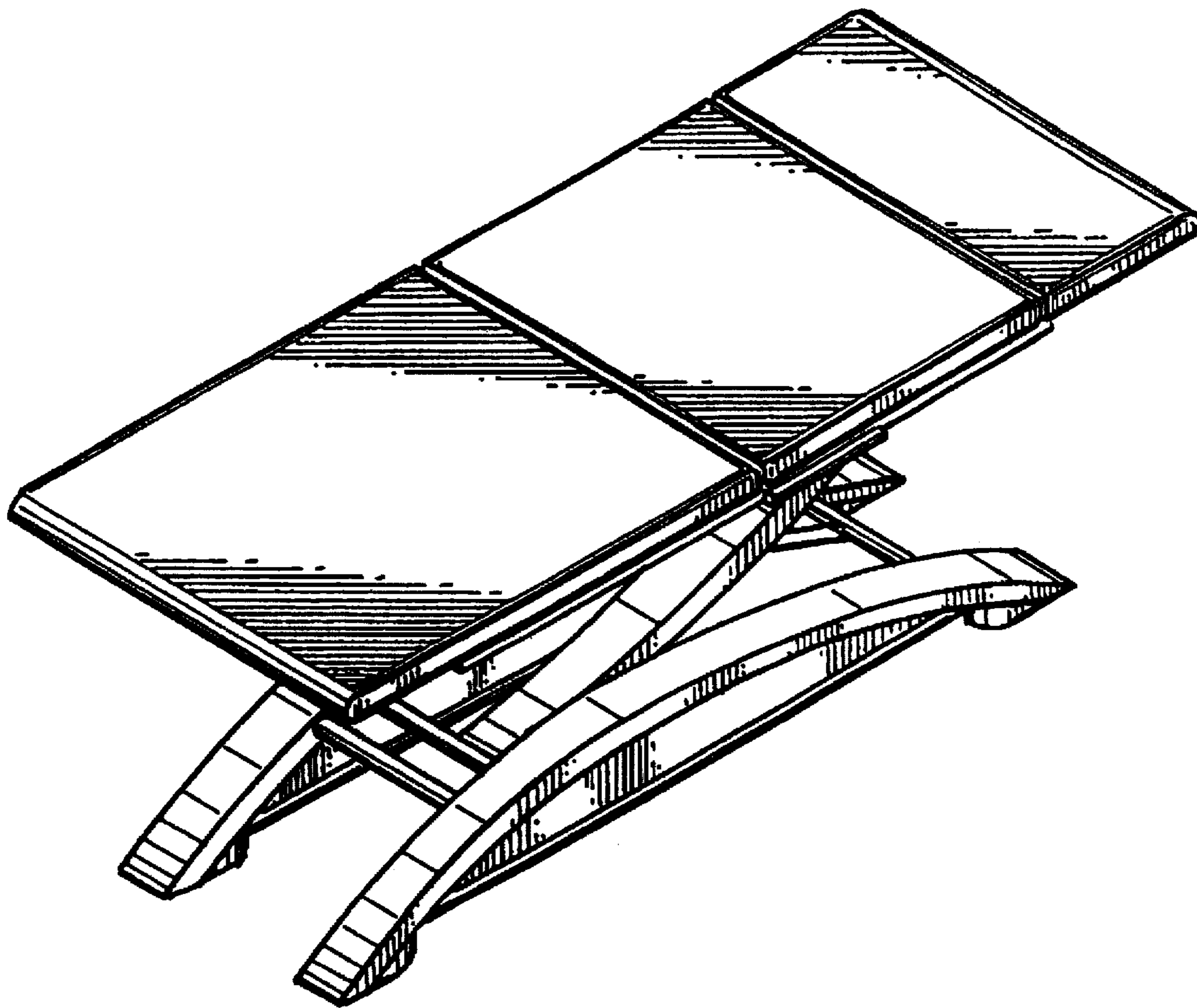


FIG. 1

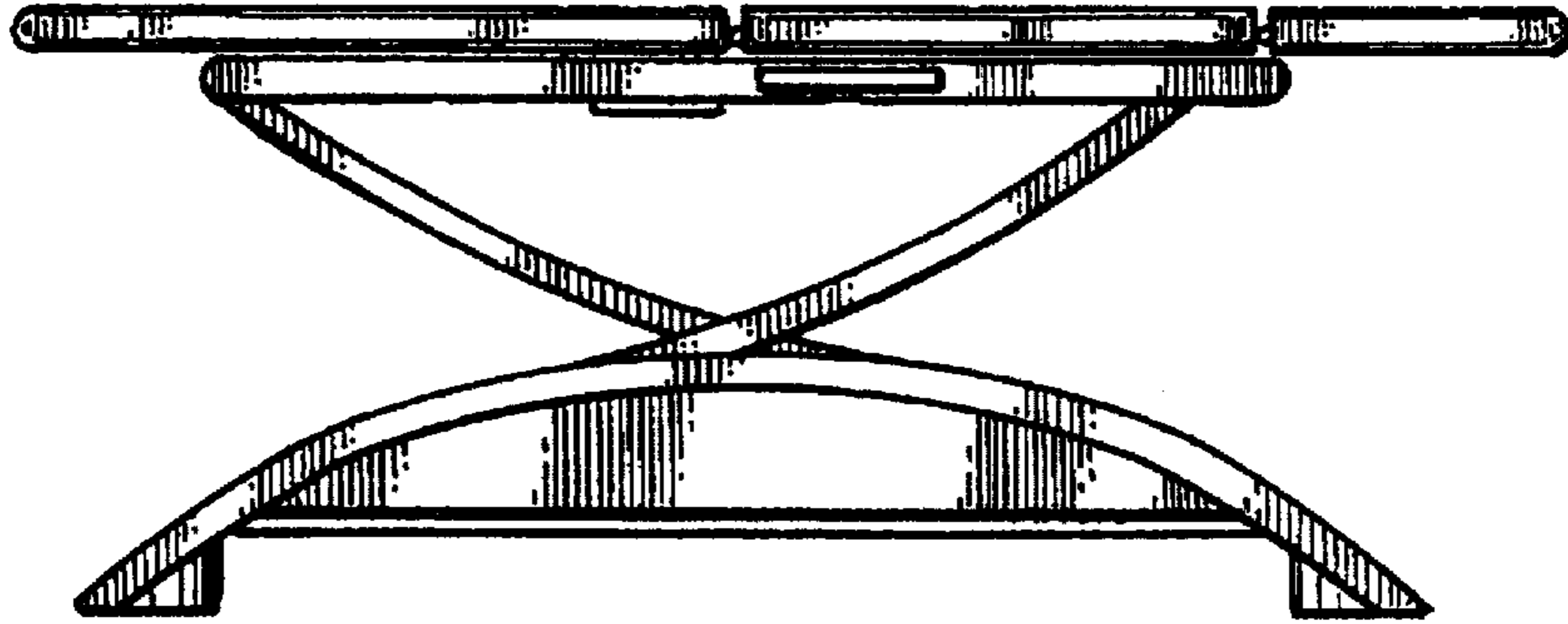


FIG. 2

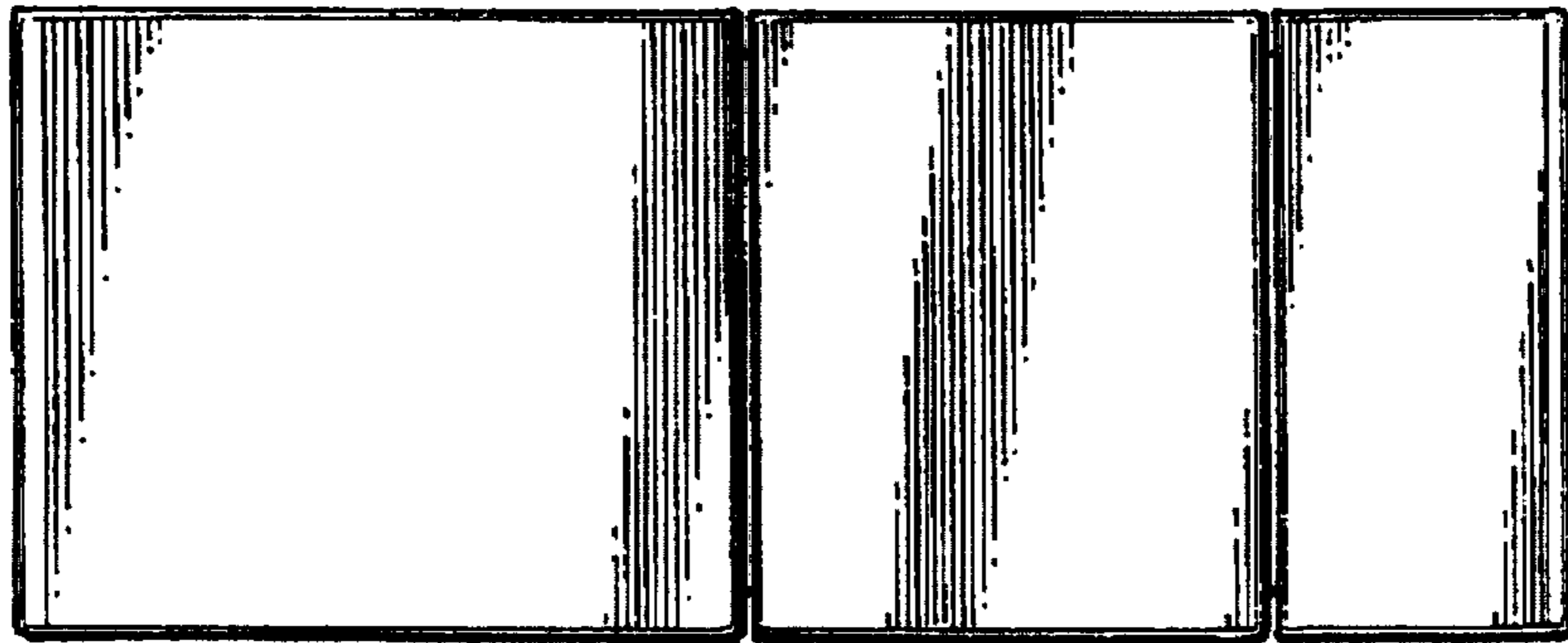


FIG. 3

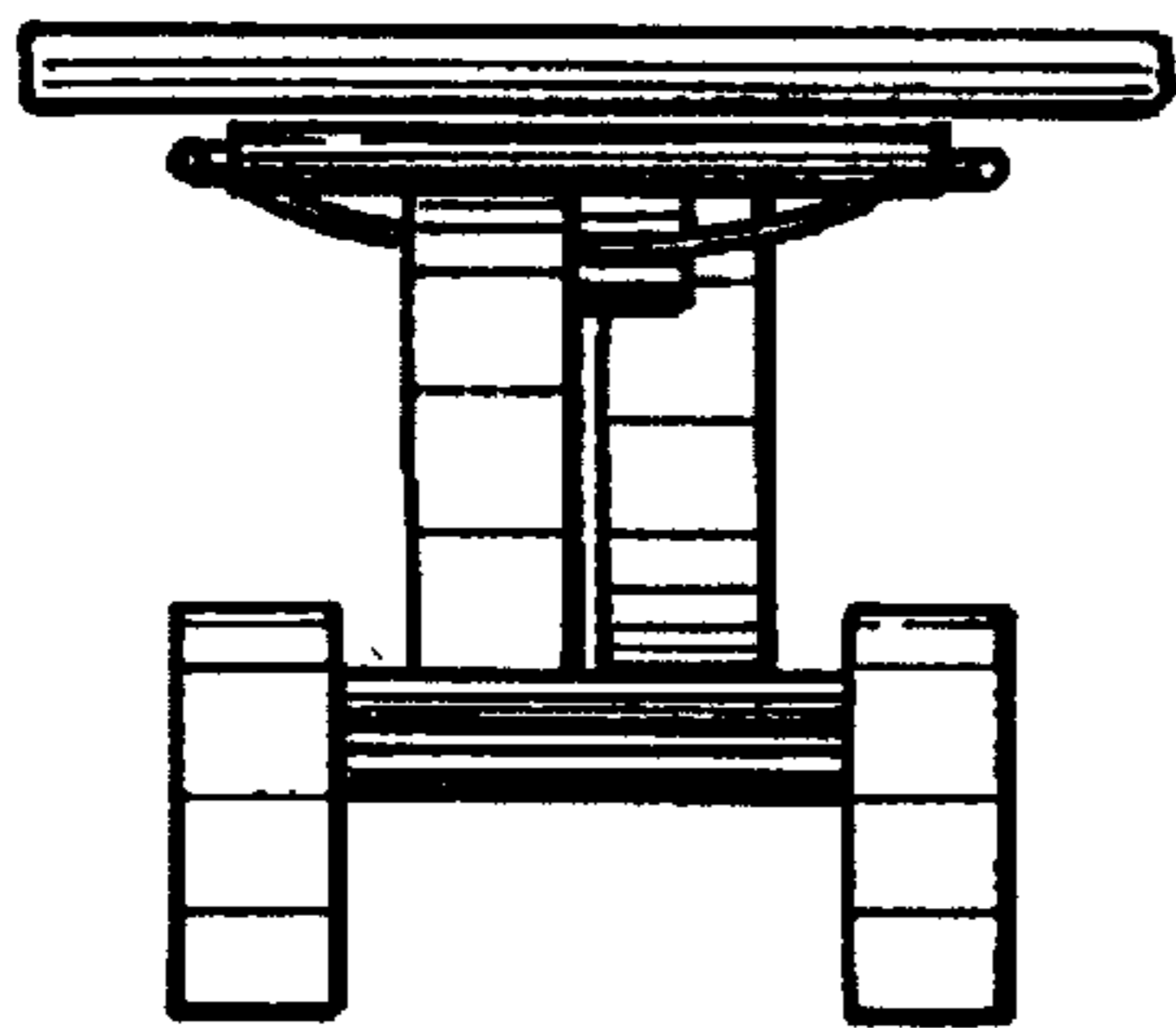


FIG. 4

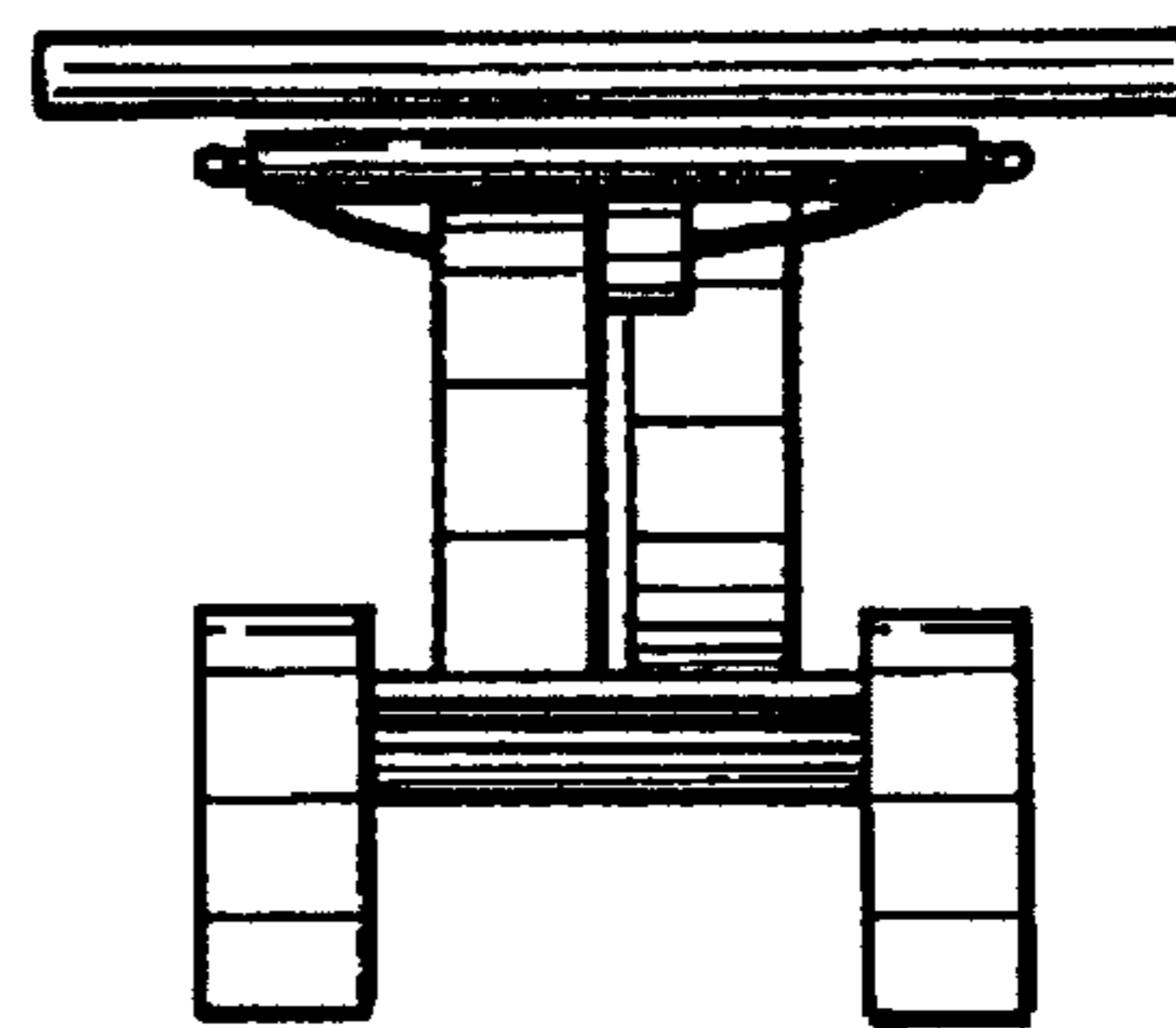


FIG. 5

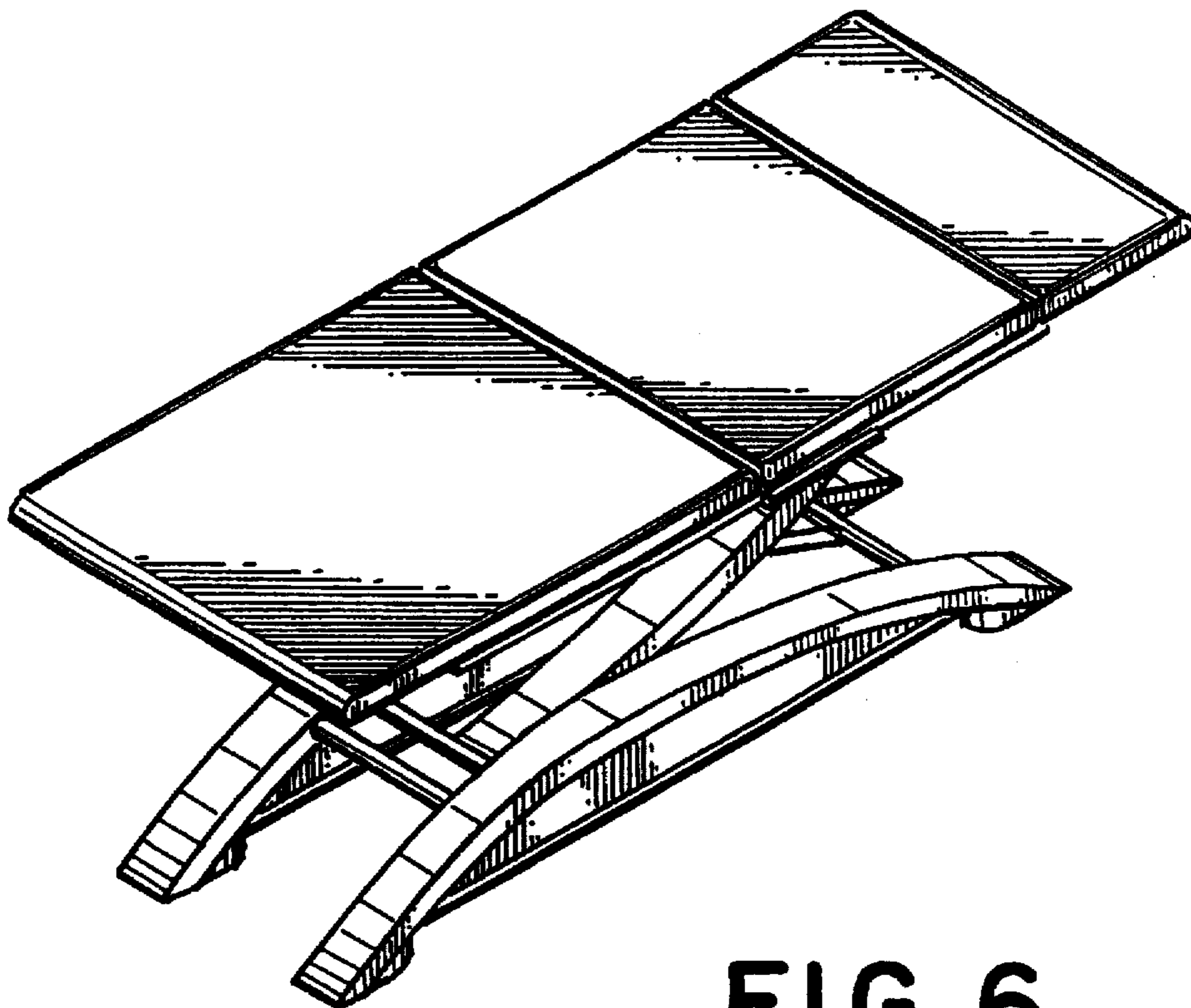
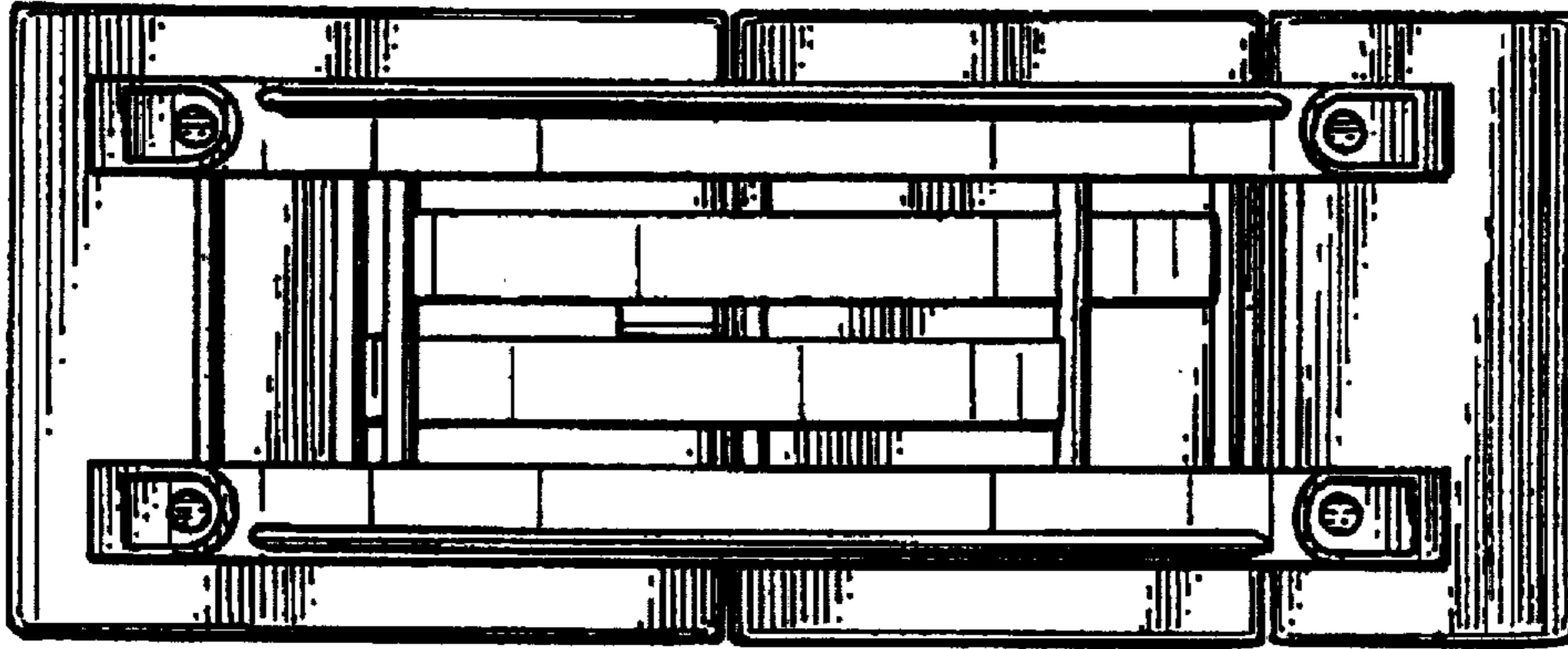


FIG. 6