



US00D386577S

# United States Patent [19]

Haydock et al.

[11] Patent Number: **Des. 386,577**

[45] Date of Patent: **\*\*Nov. 18, 1997**

[54] **MASONRY CHIMNEY ADAPTER**

*Primary Examiner—Lisa Lichtenstein*

[75] Inventors: **Paul M. Haydock**, Zionsville; **Hall Virgil, Jr.**, Brownsburg, both of Ind.

[57] **CLAIM**

The ornamental design for a masonry chimney adapter, as shown and described.

[73] Assignee: **Carrier Corporation**, Syracuse, N.Y.

[\*\*] Term: **14 Years**

### DESCRIPTION

[21] Appl. No.: **60,295**

FIG. 1 is a perspective view of a masonry chimney adapter showing our design, with the broken lines being for illustrative purposes only and representing associated generic structure, and forming no part of the claimed design;

[22] Filed: **Sep. 16, 1996**

FIG. 2 is a top plan view thereof;

[51] **LOC (6) Cl.** ..... **23-04**

[52] **U.S. Cl.** ..... **D23/374; D23/373**

FIG. 3 is a front elevational view thereof;

[58] **Field of Search** ..... **D23/374, 373; 454/47**

FIG. 4 is a left side elevational view thereof, the opposite side being a mirror image of that shown;

### [56] **References Cited**

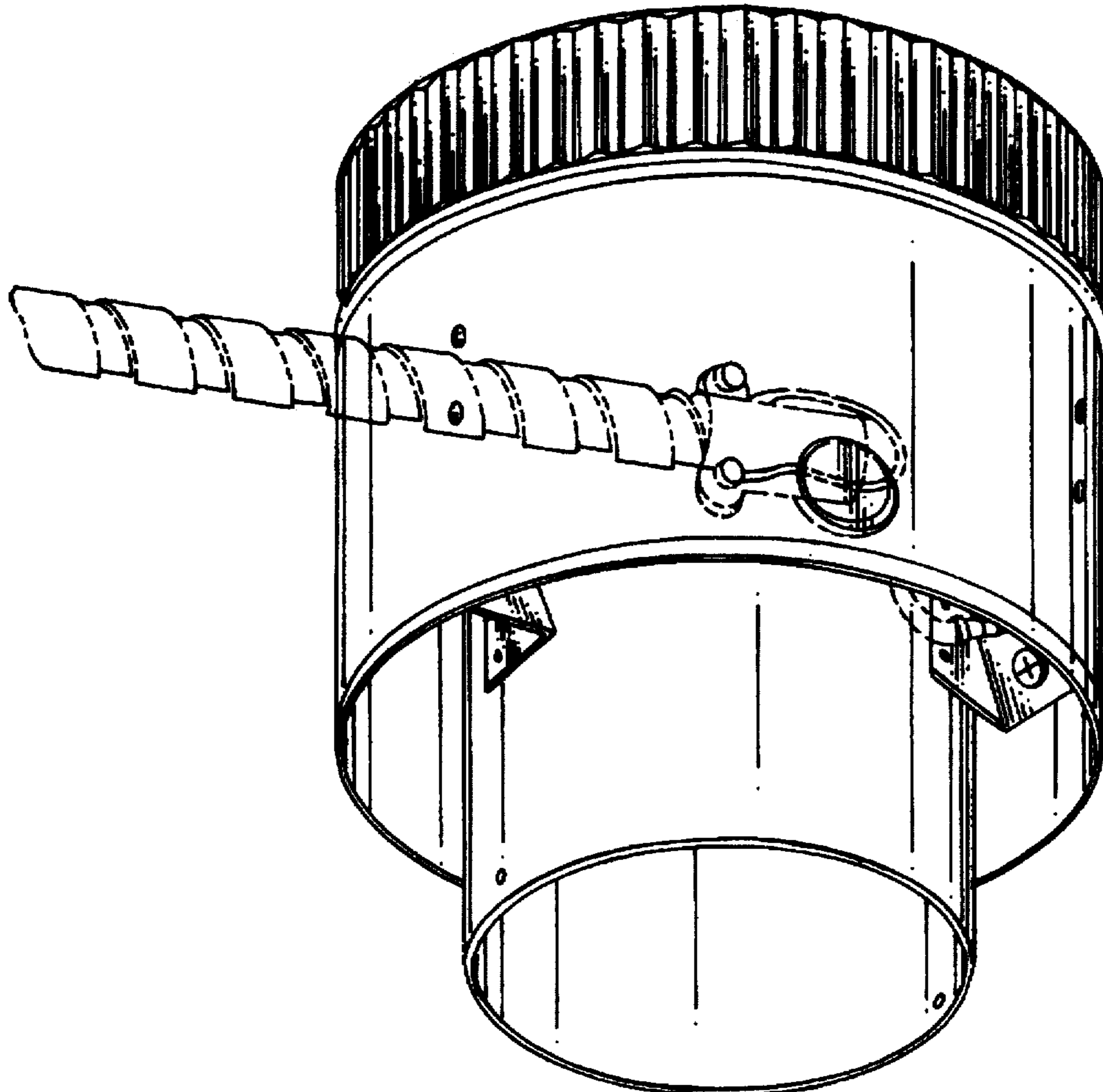
#### **U.S. PATENT DOCUMENTS**

D. 10,895	11/1878	Rich	.....	D23/374
1,047,553	12/1912	Newell	.....	454/47
2,277,436	3/1942	Howle	.....	454/47

FIG. 5 is a rear elevational view thereof; and,

FIG. 6 is a bottom plan view thereof.

**1 Claim, 3 Drawing Sheets**



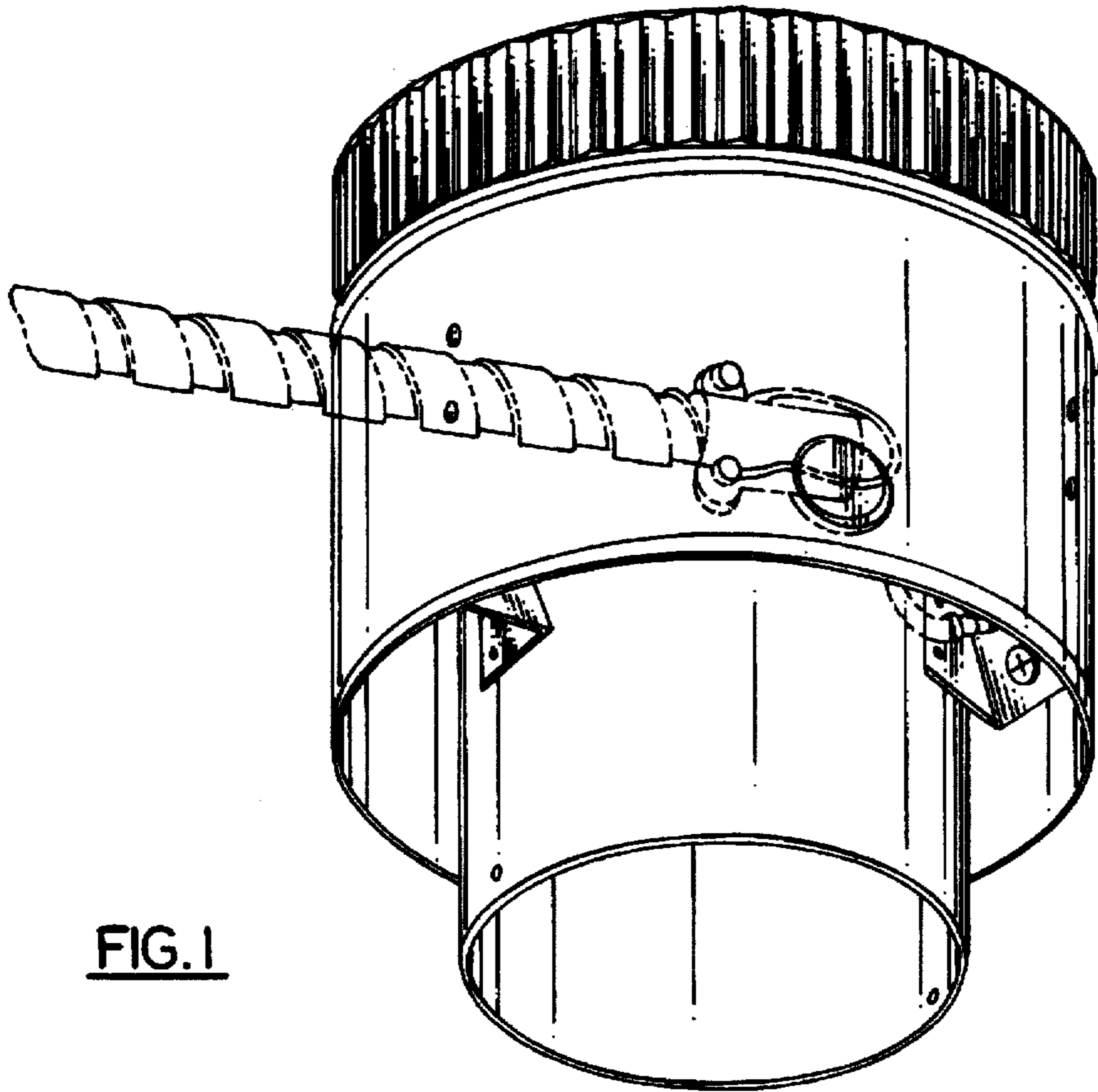


FIG. 1

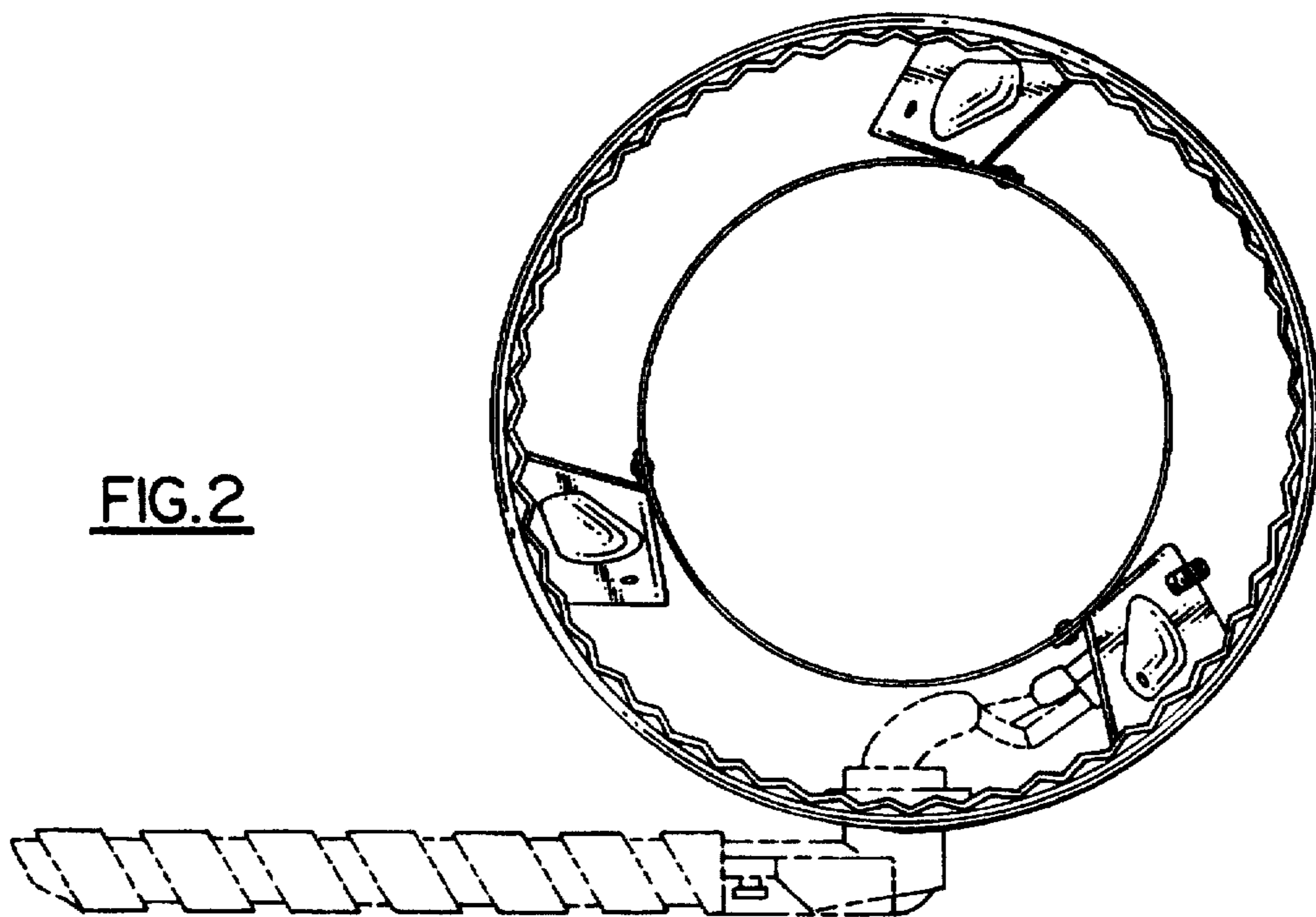


FIG. 2

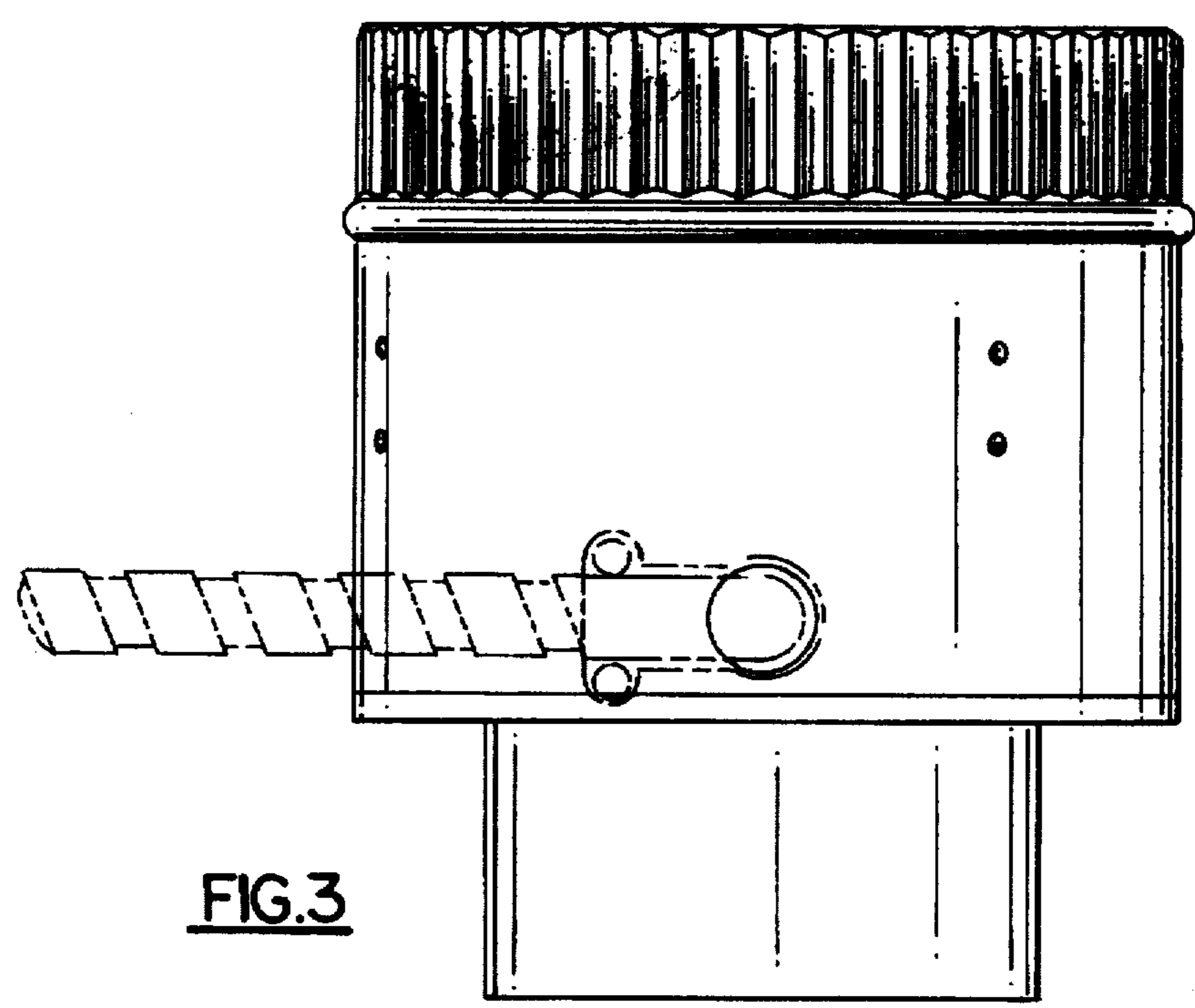


FIG. 3

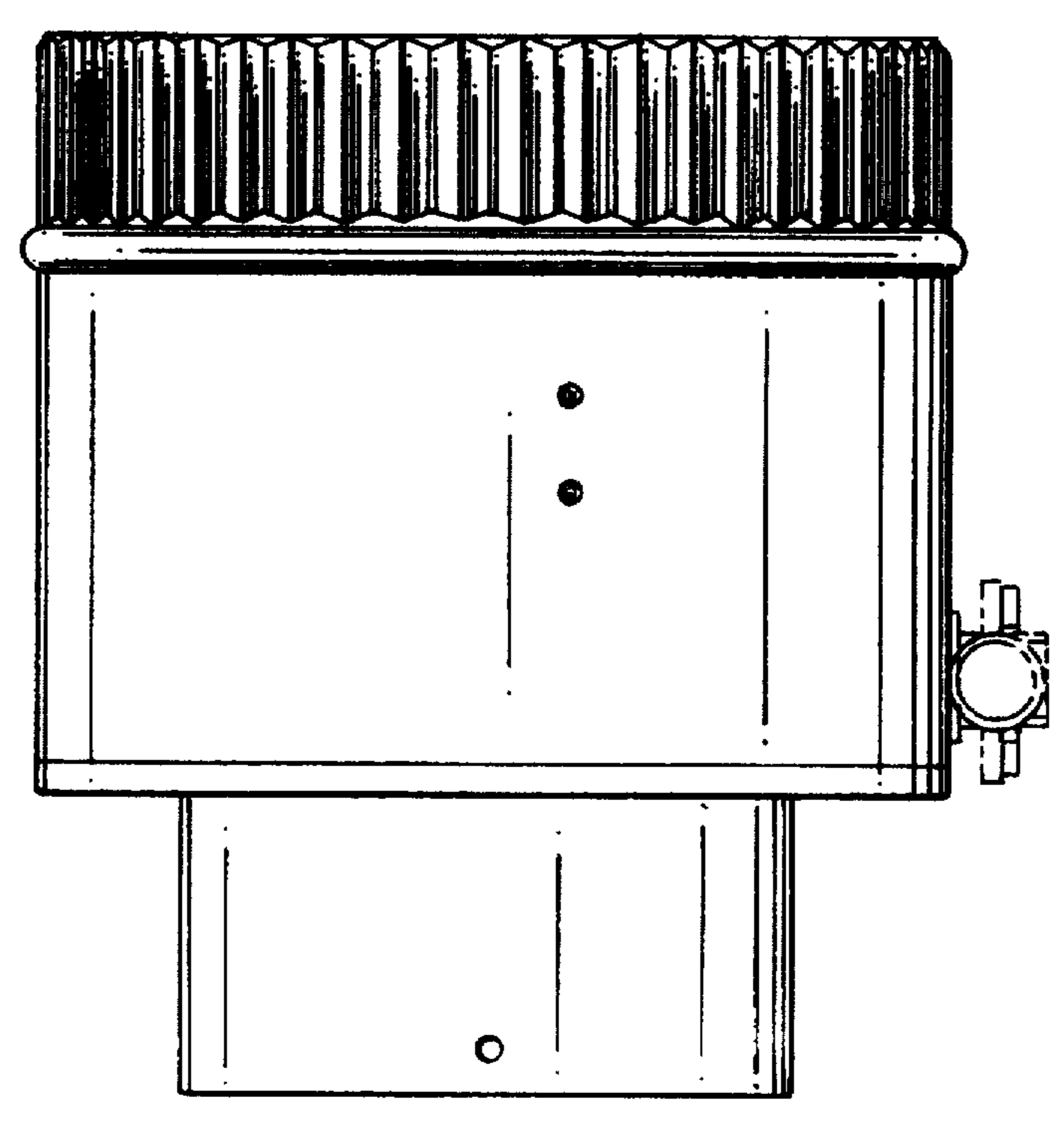


FIG. 4

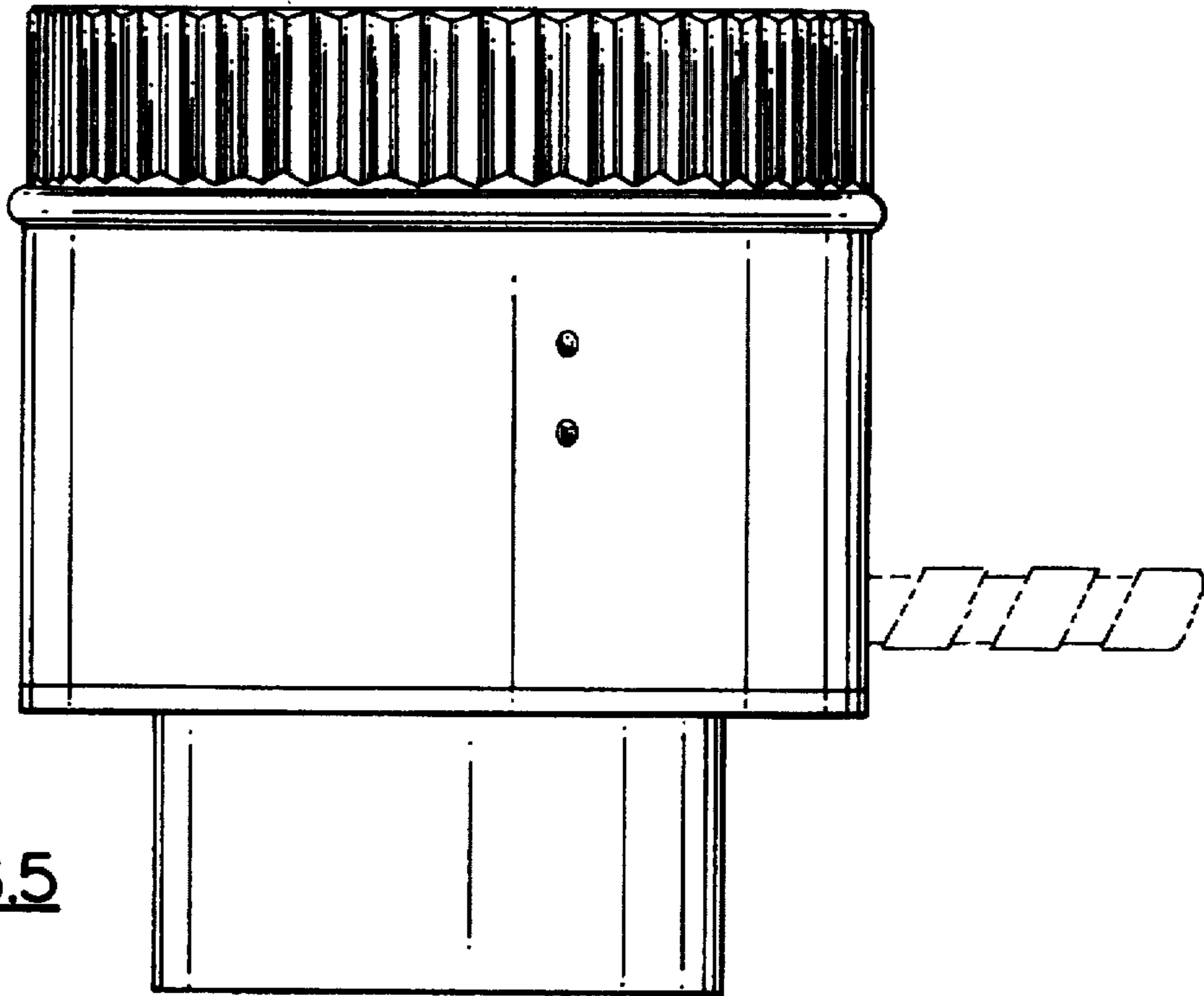


FIG. 5

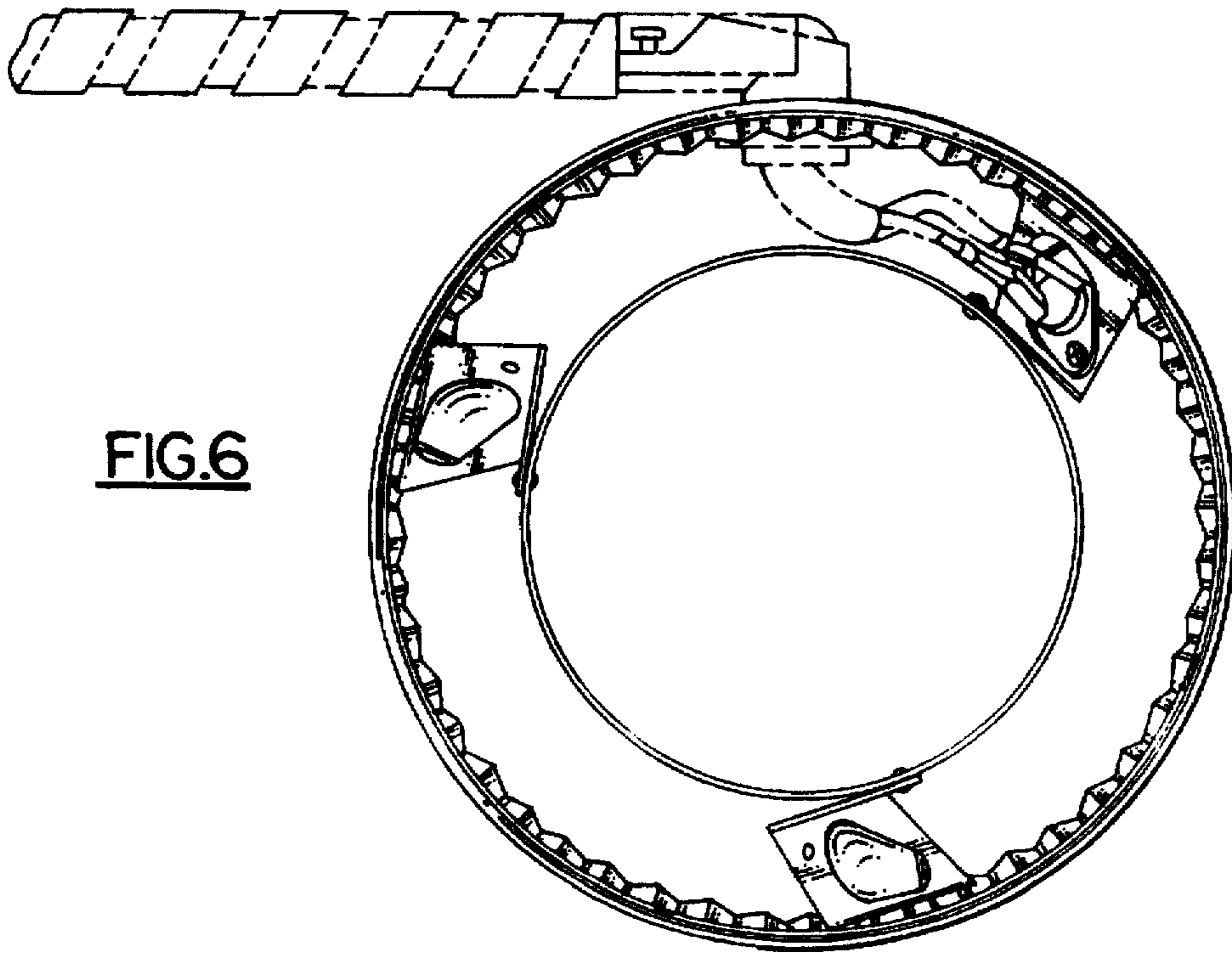


FIG. 6