

US00D386576S

United States Patent [19]

Wang et al.

[11] Patent Number: Des. 386,576

[45] Date of Patent: **Nov. 18, 1997

[54] HUMIDIFIER

[75] Inventors: **Jui-Shang Wang**, Taipei, Taiwan;
Robert L. Marvin, Jr., Farmington, Conn.; **Richard M. O'Grady**, Southington, Conn.; **John Staton**, Briston, Conn.

[73] Assignee: **Duracraft Corp.**, Southborough, Mass.

[**] Term: **14 Years**

[21] Appl. No.: **28,141**

[22] Filed: **Sep. 8, 1994**

[51] LOC (6) Cl. **23-04**

[52] U.S. Cl. **D23/356; D23/358; D23/360**

[58] Field of Search **D23/356-363;**
422/120, 123; 261/DIG. 65; 392/403-406,
394

4,604,246	8/1986	Choe .
4,752,423	6/1988	Wong .
4,810,854	3/1989	Jursich et al. .
4,906,417	3/1990	Gentry .
5,067,169	11/1991	Chiu .
5,073,967	12/1991	Marino .
5,086,494	2/1992	Wang .
5,111,529	5/1992	Glucksman .
5,131,070	7/1992	Chiu et al. .
5,133,044	7/1992	Chiu .
5,143,460	9/1992	Wang .
5,143,655	9/1992	Chiu et al. .
5,210,818	5/1993	Wang .
5,215,685	6/1993	Marino .
5,228,107	7/1993	Marino .
5,247,604	9/1993	Chiu .
5,291,579	3/1994	Marino .
5,339,383	8/1994	Marino .

FOREIGN PATENT DOCUMENTS

62784 4/1984 Japan 392/403

OTHER PUBLICATIONS

Washington Post, Nov. 3, 1985, Advertising Supplement.

Primary Examiner—Lisa Lichtenstein
Attorney, Agent, or Firm—Morgan & Finnegan

[57] CLAIM

The ornamental design for a humidifier, as shown.

DESCRIPTION

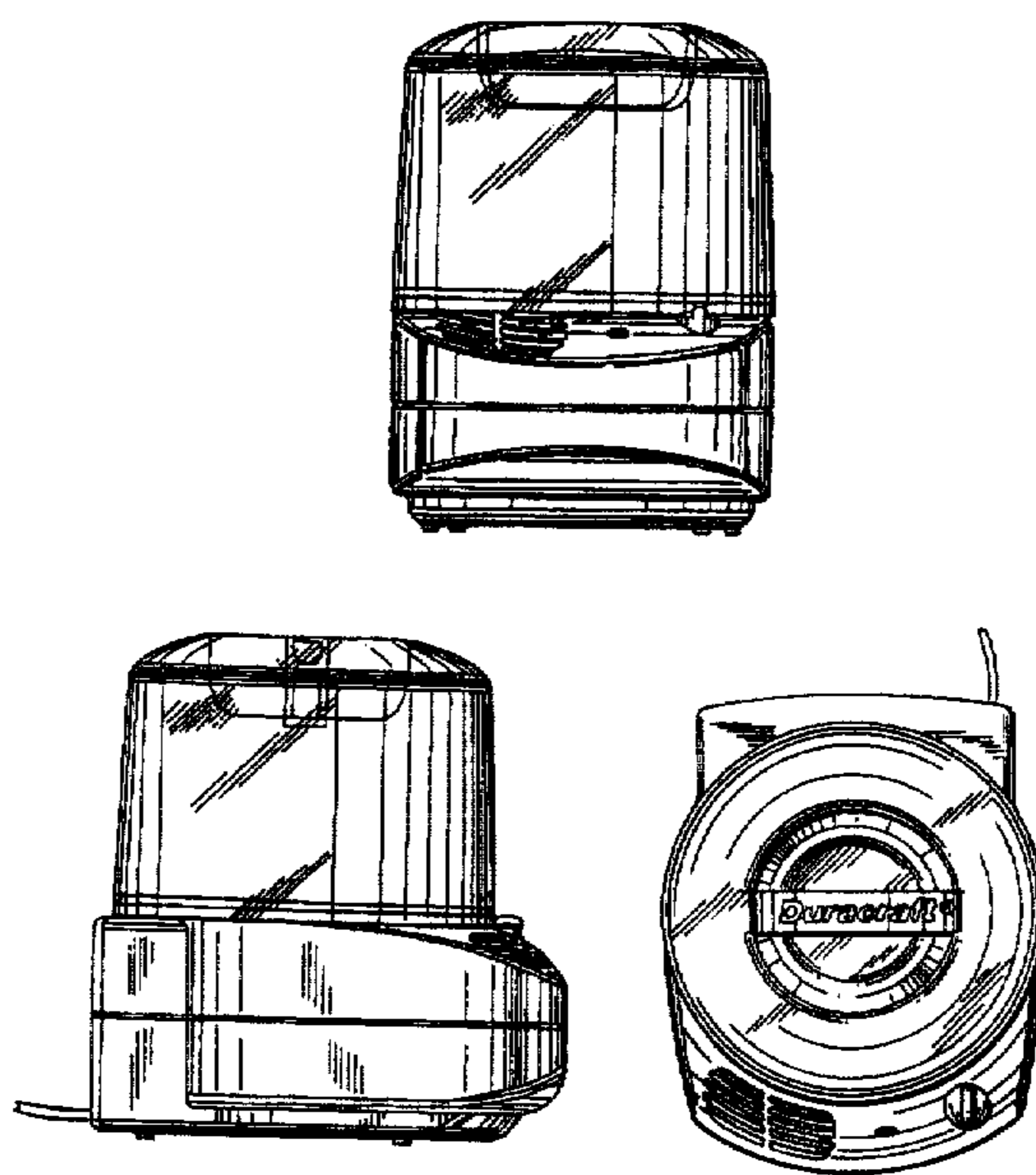
FIG. 1 is a front view of the design for a humidifier in accordance with the present invention;
FIG. 2 is a view of one side thereof;
FIG. 3 is a view of another side thereof;
FIG. 4 is a rear view thereof;
FIG. 5 is a top view thereof; and,
FIG. 6 is a bottom view thereof.

1 Claim, 2 Drawing Sheets

[56] References Cited

U.S. PATENT DOCUMENTS

D. 306,063	2/1990	Chiu et al. .	
D. 320,071	9/1991	Cook	D23/356
D. 320,440	10/1991	Chiu .	
D. 322,121	12/1991	Chiu .	
D. 330,074	10/1992	Wang et al. .	
D. 335,340	5/1993	Marvin, Jr. .	
D. 335,341	5/1993	O'Grady .	
D. 336,511	6/1993	Chiu et al. .	
D. 337,634	7/1993	Copland et al.	D23/356
D. 348,728	7/1994	O'Grady et al. .	
D. 349,334	8/1994	O'Grady et al. .	
D. 349,566	8/1994	O'Grady .	
D. 357,310	4/1995	Chiu et al.	D23/356
D. 358,461	5/1995	Barker et al.	D23/356
D. 359,552	6/1995	Chiu et al.	D23/356
1,292,759	1/1919	Granger .	
2,810,167	10/1957	Parks, Sr. .	
2,847,546	8/1958	Crowley et al. .	



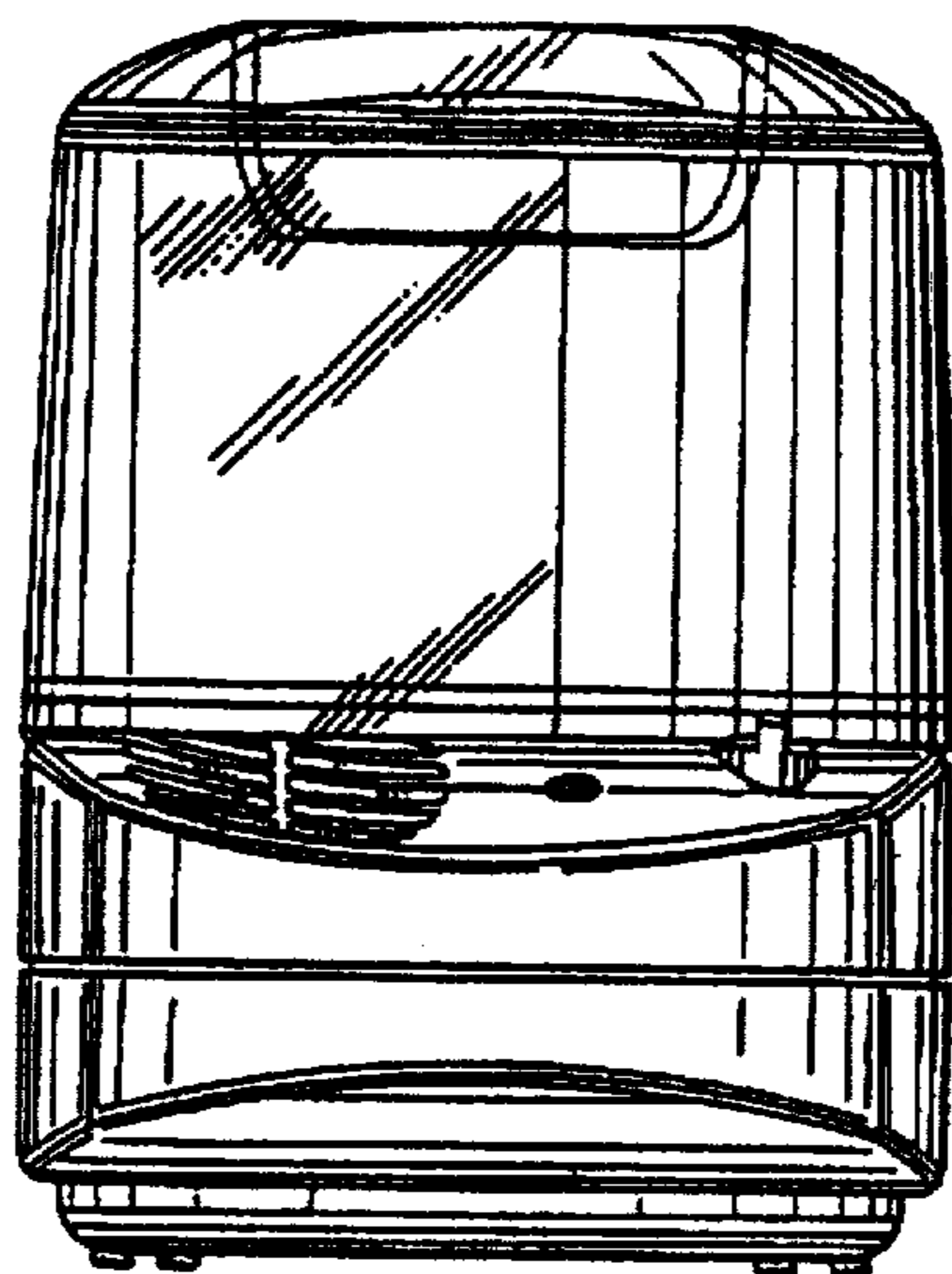


FIG. 1

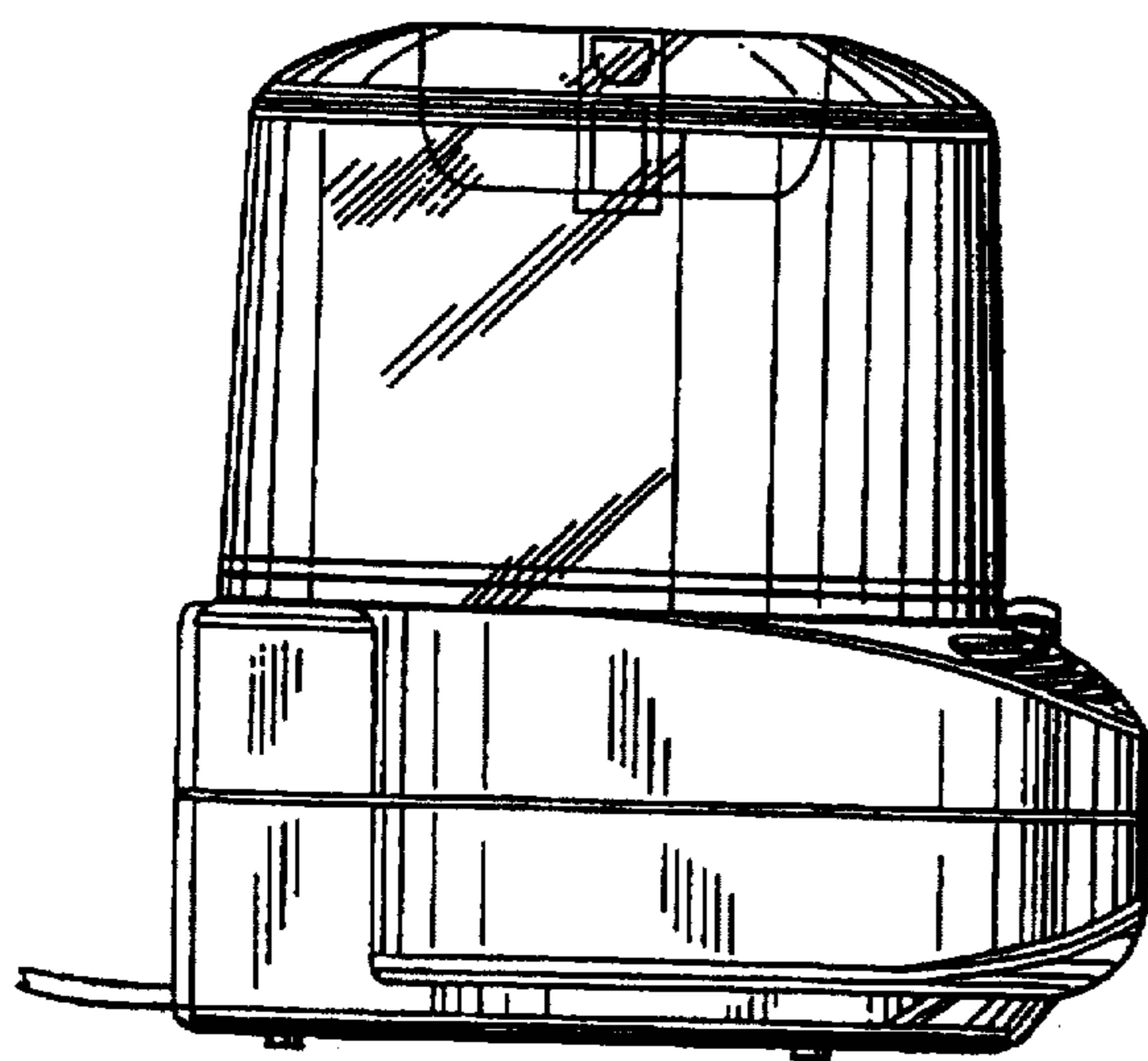


FIG. 2

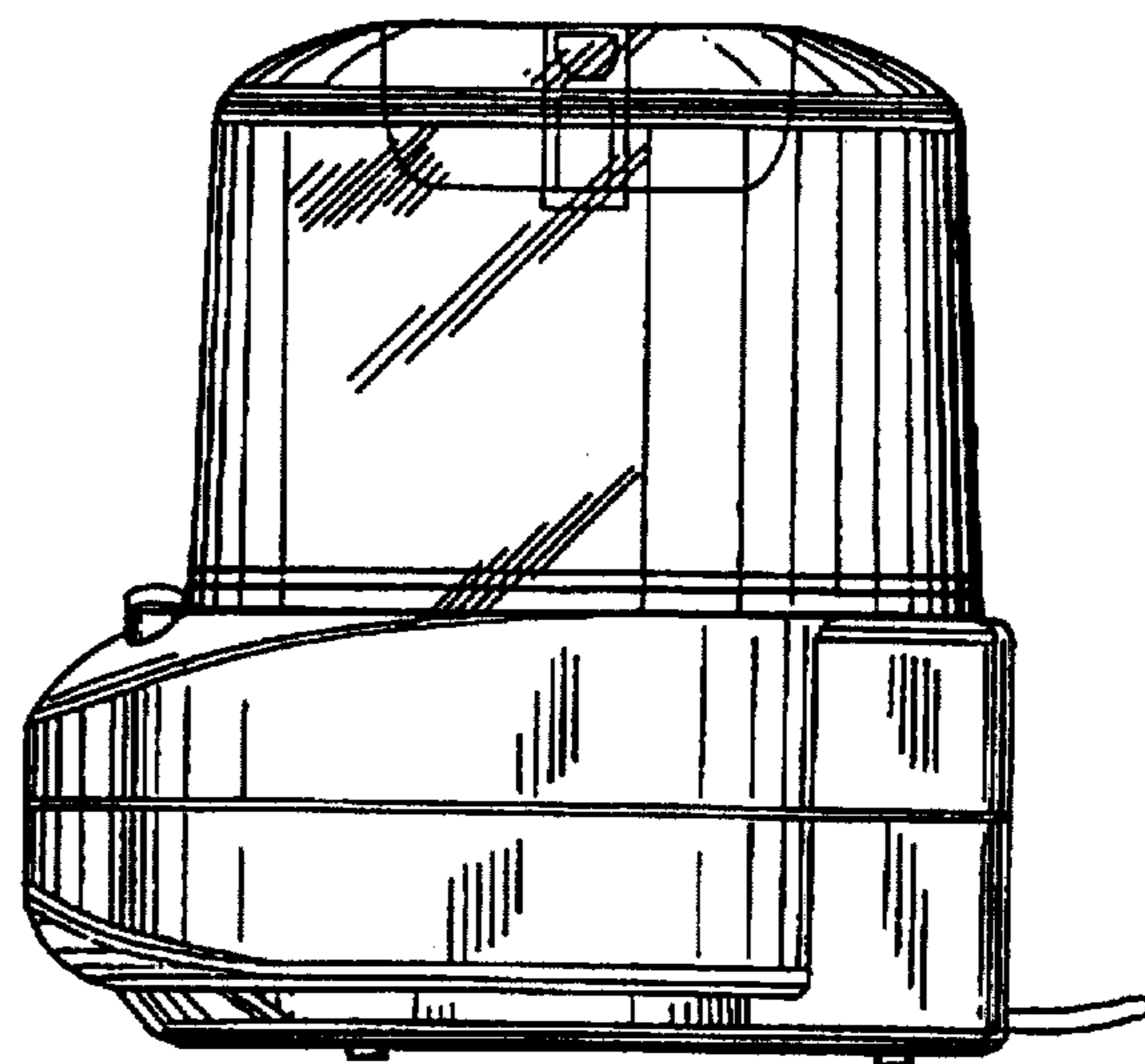


FIG. 3

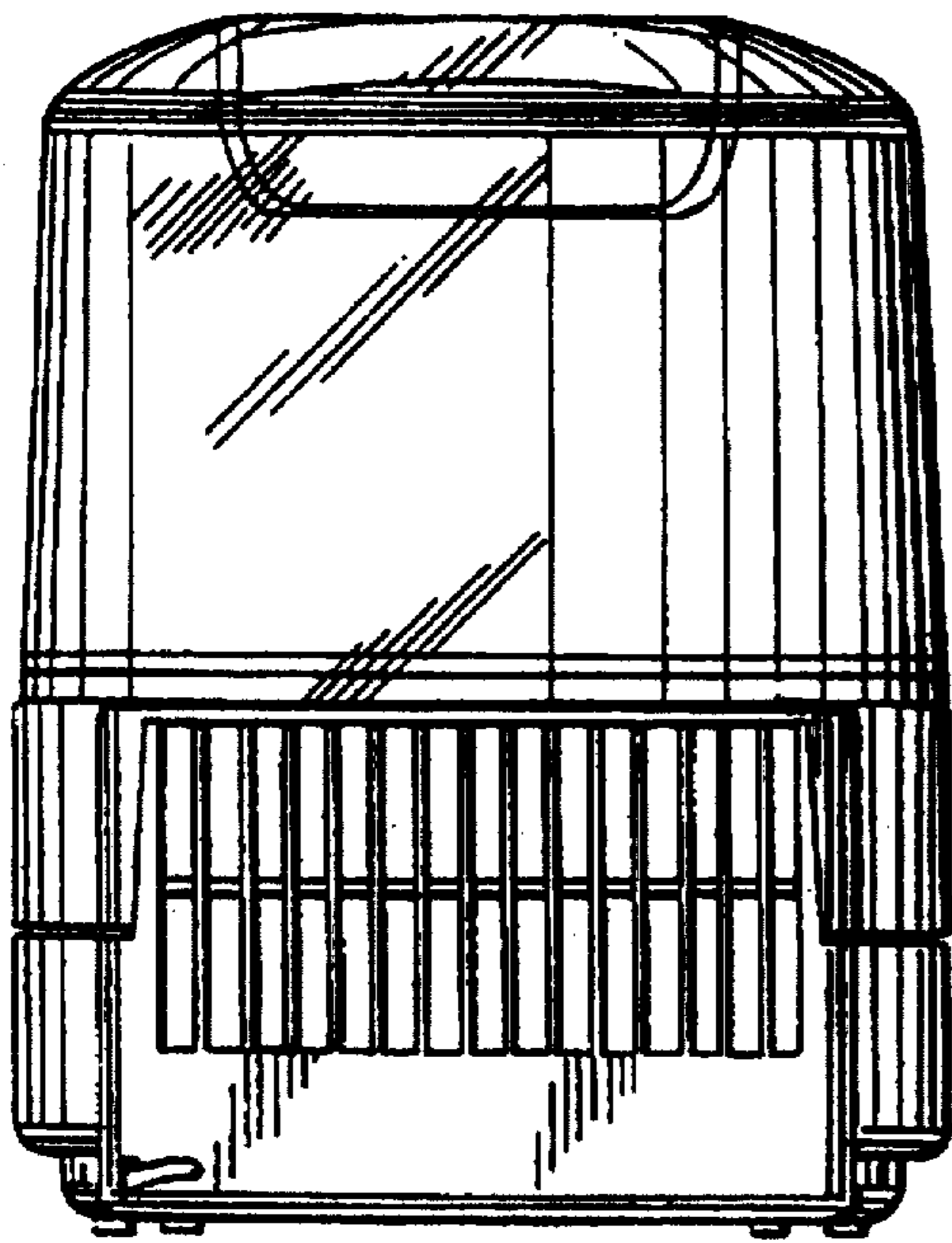


FIG. 4

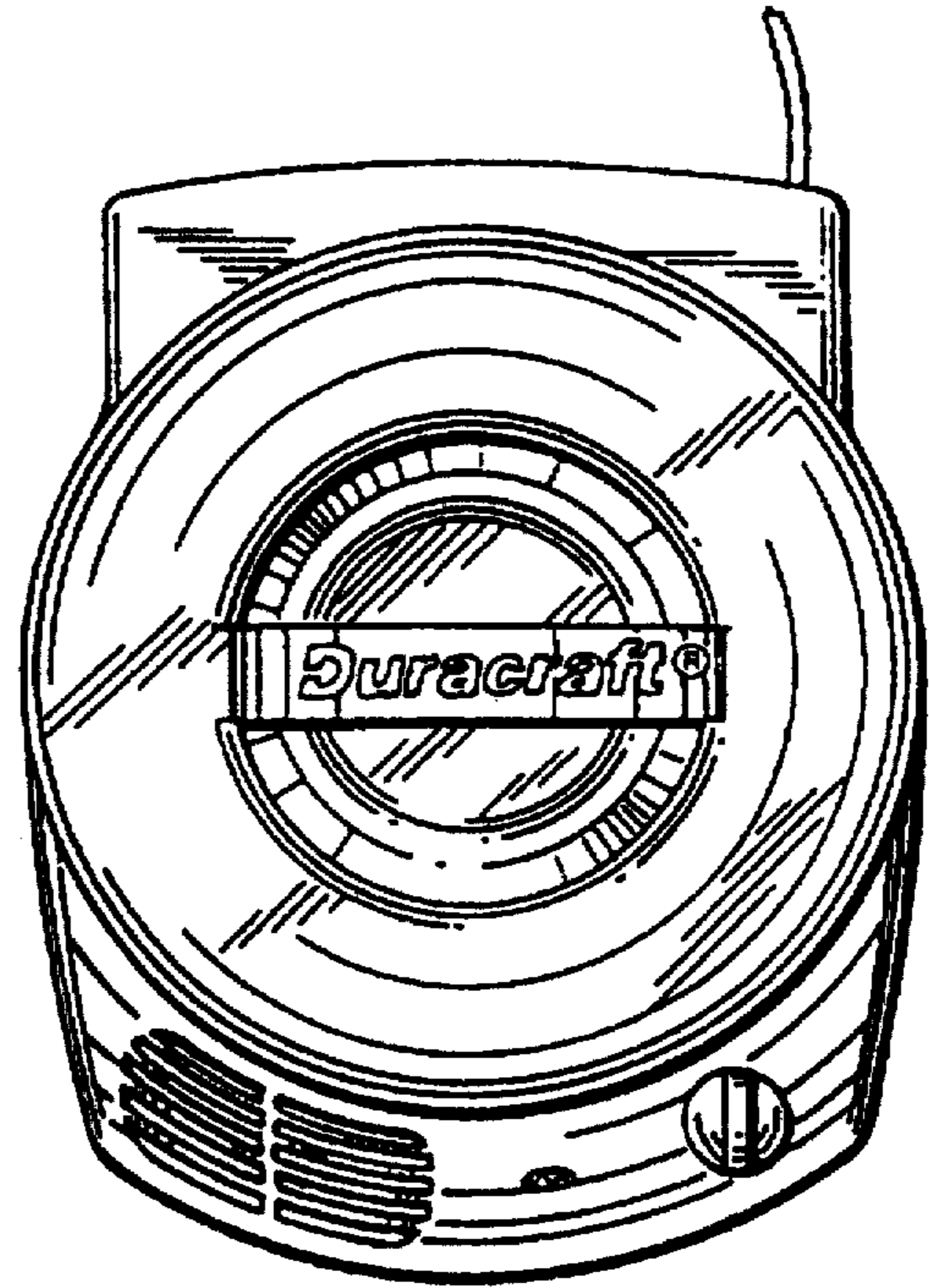


FIG. 5

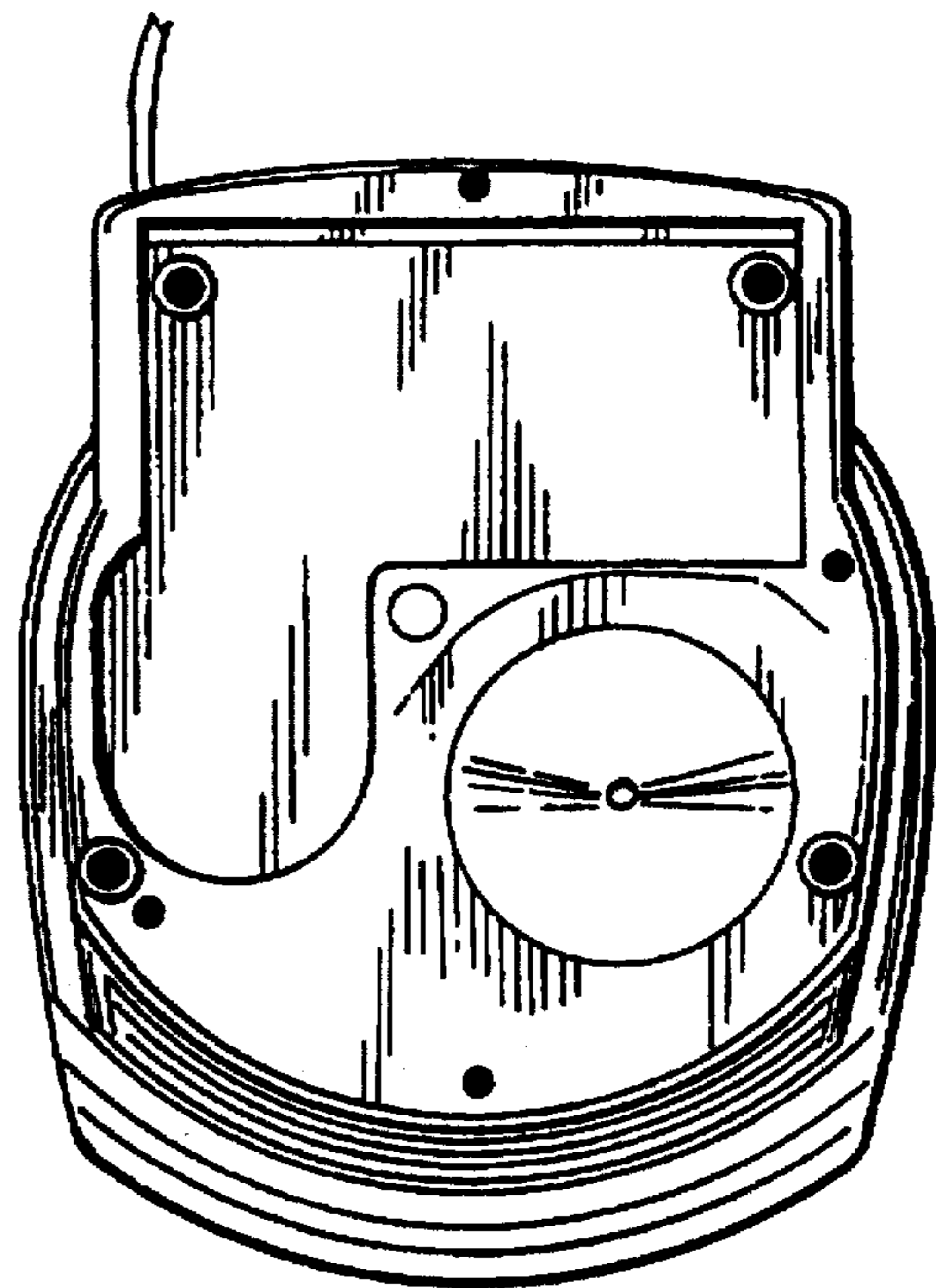


FIG. 6