



US00D386572S

United States Patent [19]
Radtke et al.

[11] **Patent Number: Des. 386,572**
[45] **Date of Patent: **Nov. 18, 1997**

- [54] **SPRAY MISTING FAN AND BOTTLE**
- [75] **Inventors: Lee Radtke, Lake Zurich; Linda M. Usher, Chicago; Eric F. Junkel, Des Plaines, all of Ill.**
- [73] **Assignee: Circulair, Inc., Niles, Ill.**
- [**] **Term: 14 Years**
- [21] **Appl. No.: 56,012**
- [22] **Filed: Jun. 19, 1996**
- [51] **LOC (6) Cl. 23-04**
- [52] **U.S. Cl. D23/328; D9/300; D9/337; D23/332; D23/379**
- [58] **Field of Search D9/300, 337, 523; D23/328, 332, 377, 379, 370, 335, 411, 413, 221, 228; 261/28, 30, 140.1; 416/146 R; 422/124; 239/214.25, 215, 223, 289; 222/105**

- 3,997,115 12/1976 Licudine .
- 4,235,377 11/1980 Davis et al. .
- 4,392,614 7/1983 Groth et al. .
- 4,839,106 6/1989 Steiner .
- 5,337,921 8/1994 Wilson et al. 222/105
- 5,338,495 8/1994 Steiner et al. .

Primary Examiner—Martie Thompson
Attorney, Agent, or Firm—Gifford, Krass, Groh, Sprinkle, Patmore, Anderson & Citkowski, P.C.

[57] **CLAIM**

The ornamental design for a spray misting fan and bottle, as shown and described.

DESCRIPTION

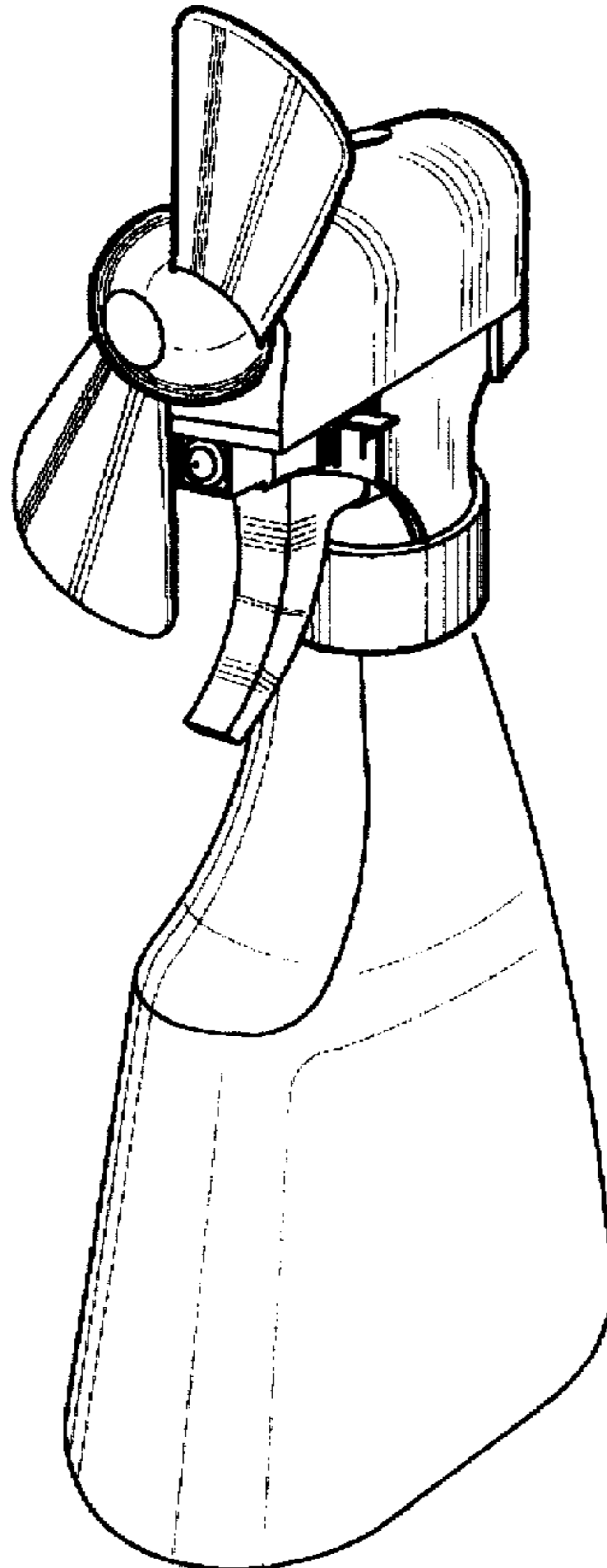
FIG. 1 is a perspective view of the spray misting fan and bottle showing the new design;
FIG. 2 is a front elevational view thereof;
FIG. 3 is a right side view of the present design;
FIG. 4 is a top plan view thereof of the spray misting fan and bottle according to the present design;
FIG. 5 is a left side view which is a mirror image of the right side view;
FIG. 6 is rear elevational view; and
FIG. 7 is a bottom view of the spray misting fan and bottle according to the present design.

[56] **References Cited**

U.S. PATENT DOCUMENTS

- D. 349,954 8/1994 Steiner et al. D23/328
- D. 353,321 12/1994 Steijns D9/300
- D. 354,979 1/1995 Tsuji D23/328 X
- 2,079,117 5/1937 Hays .
- 3,004,403 10/1961 Laporte .

1 Claim, 2 Drawing Sheets



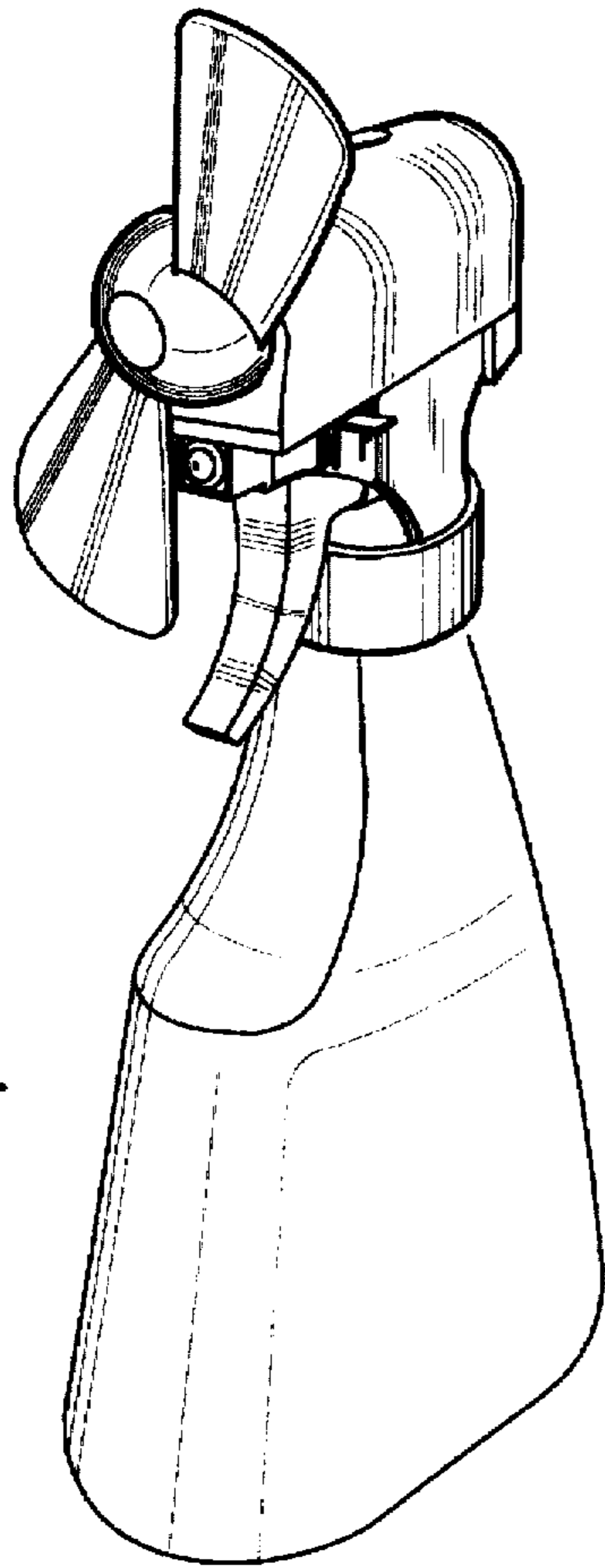


Fig-1

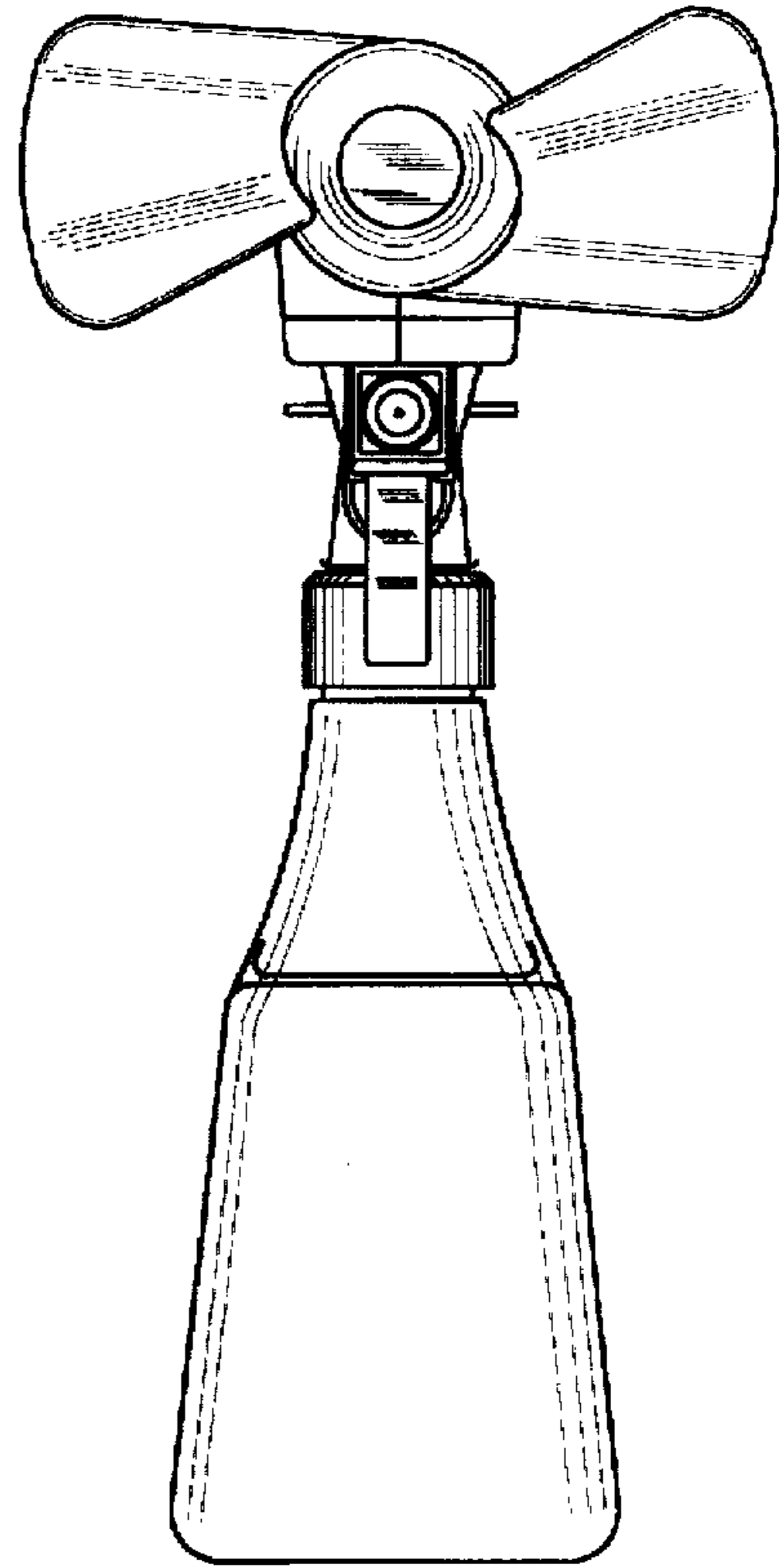


Fig-2

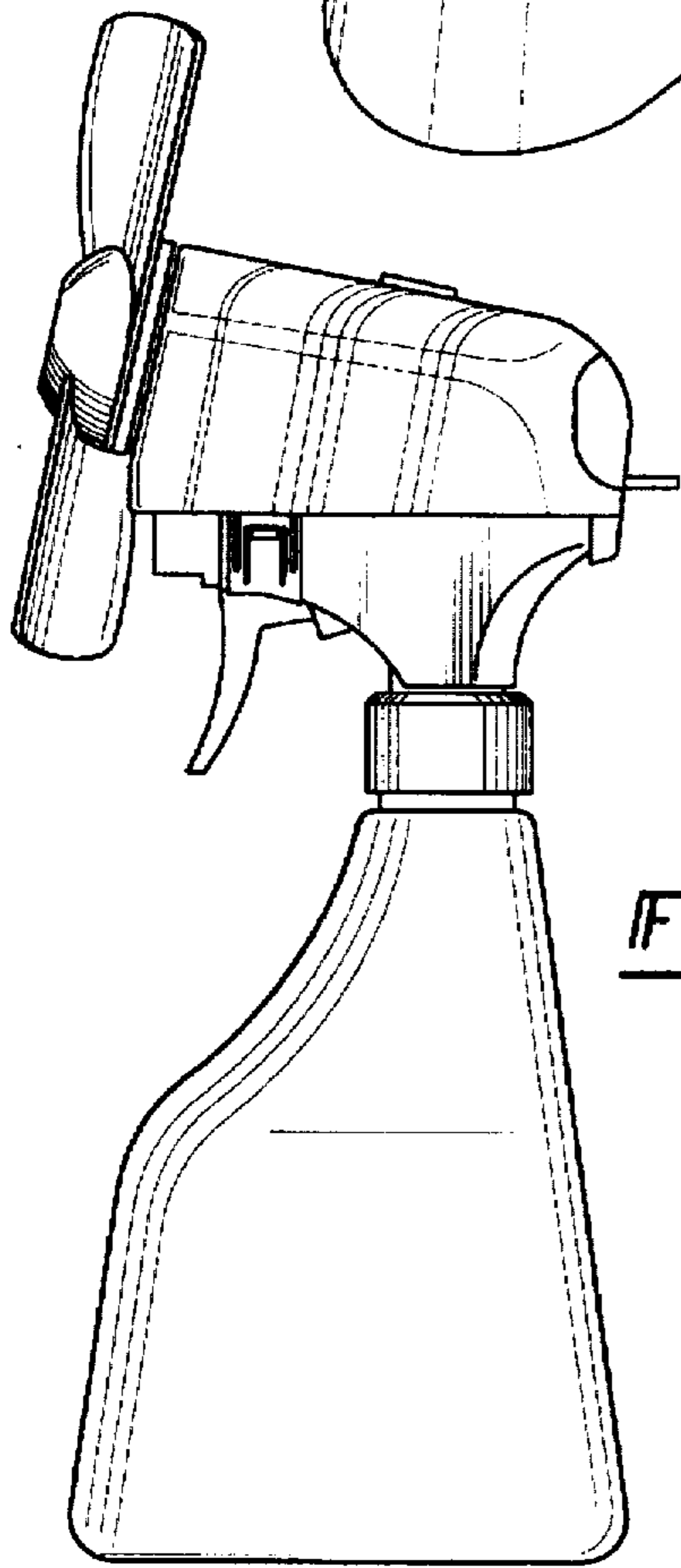


Fig-3

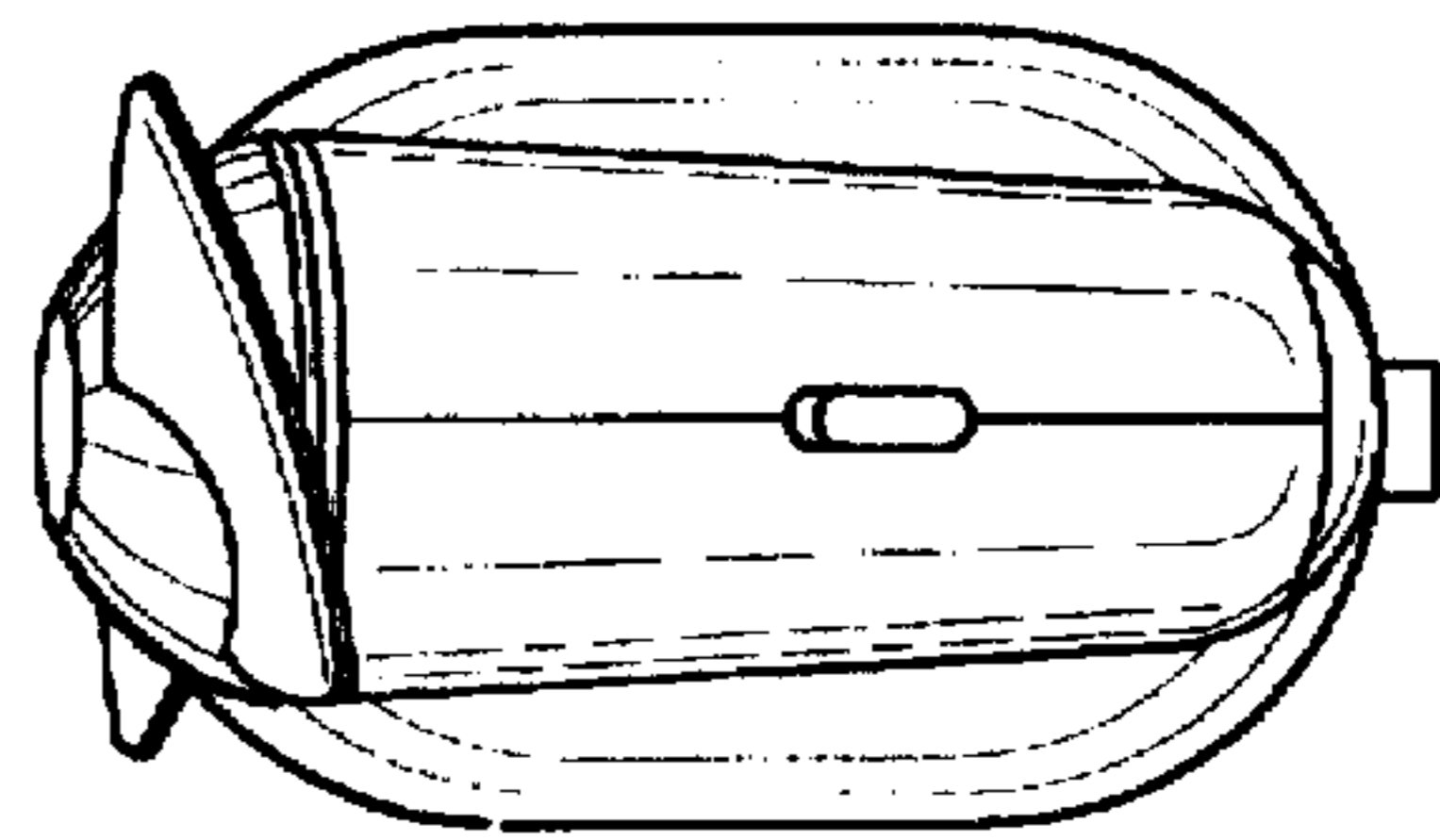


Fig-4

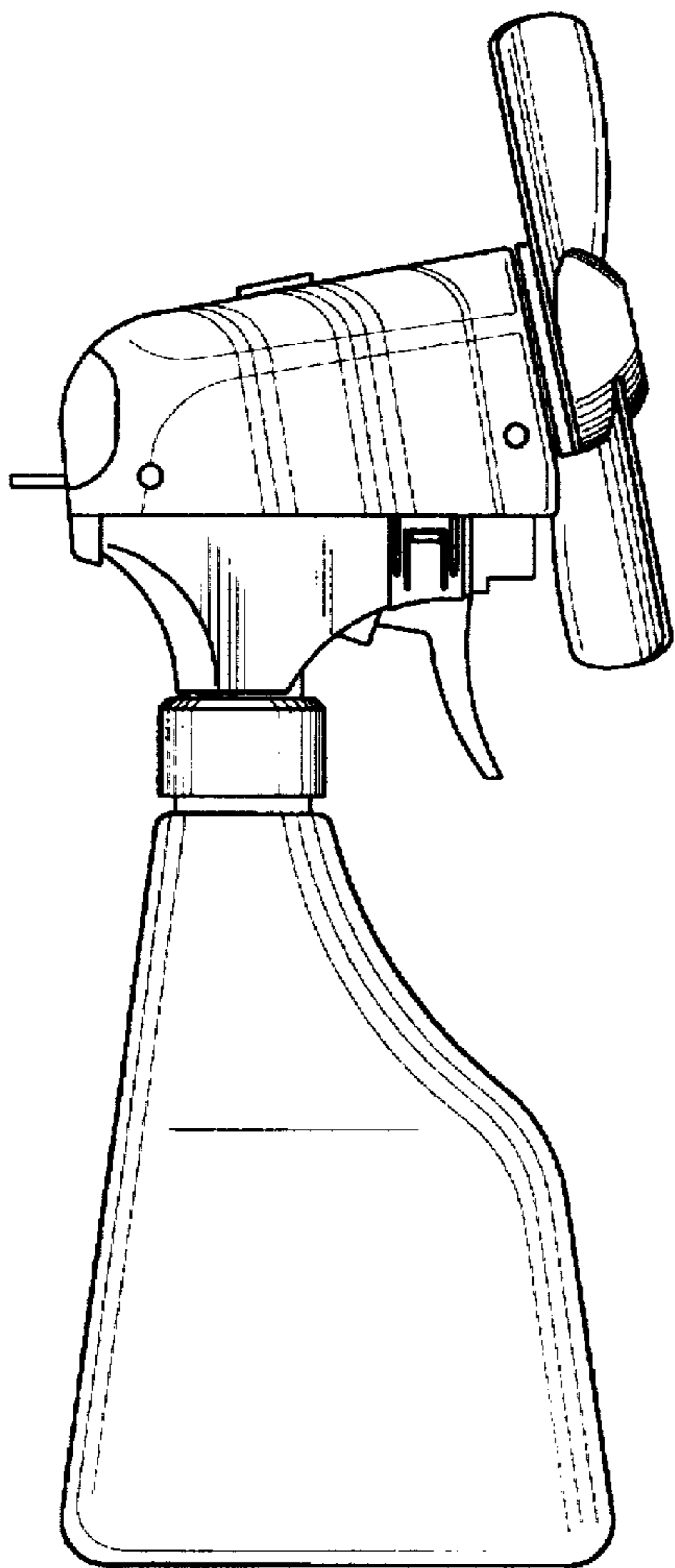


Fig-5

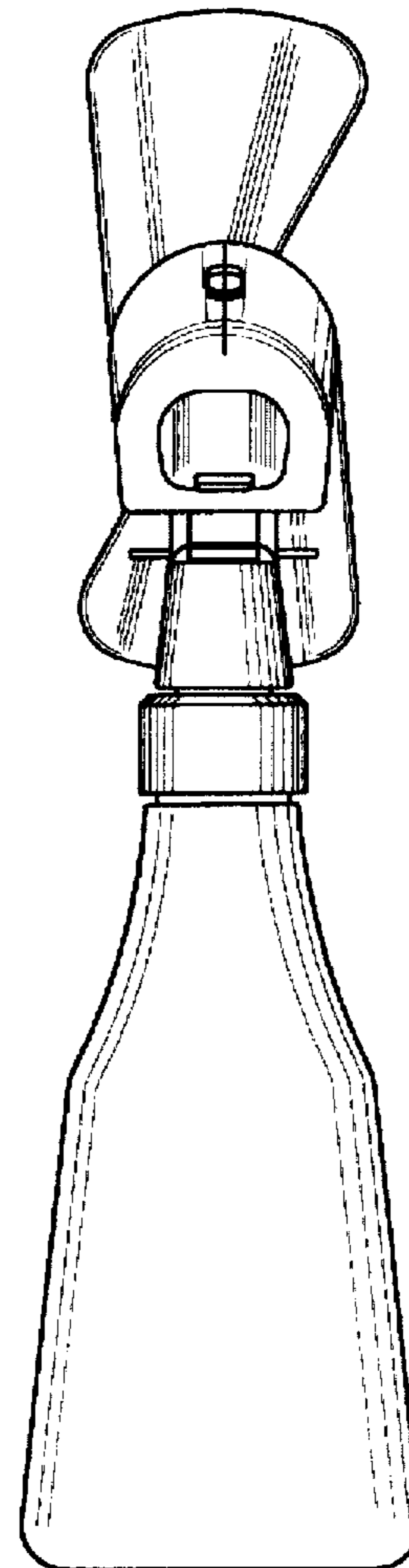


Fig-6

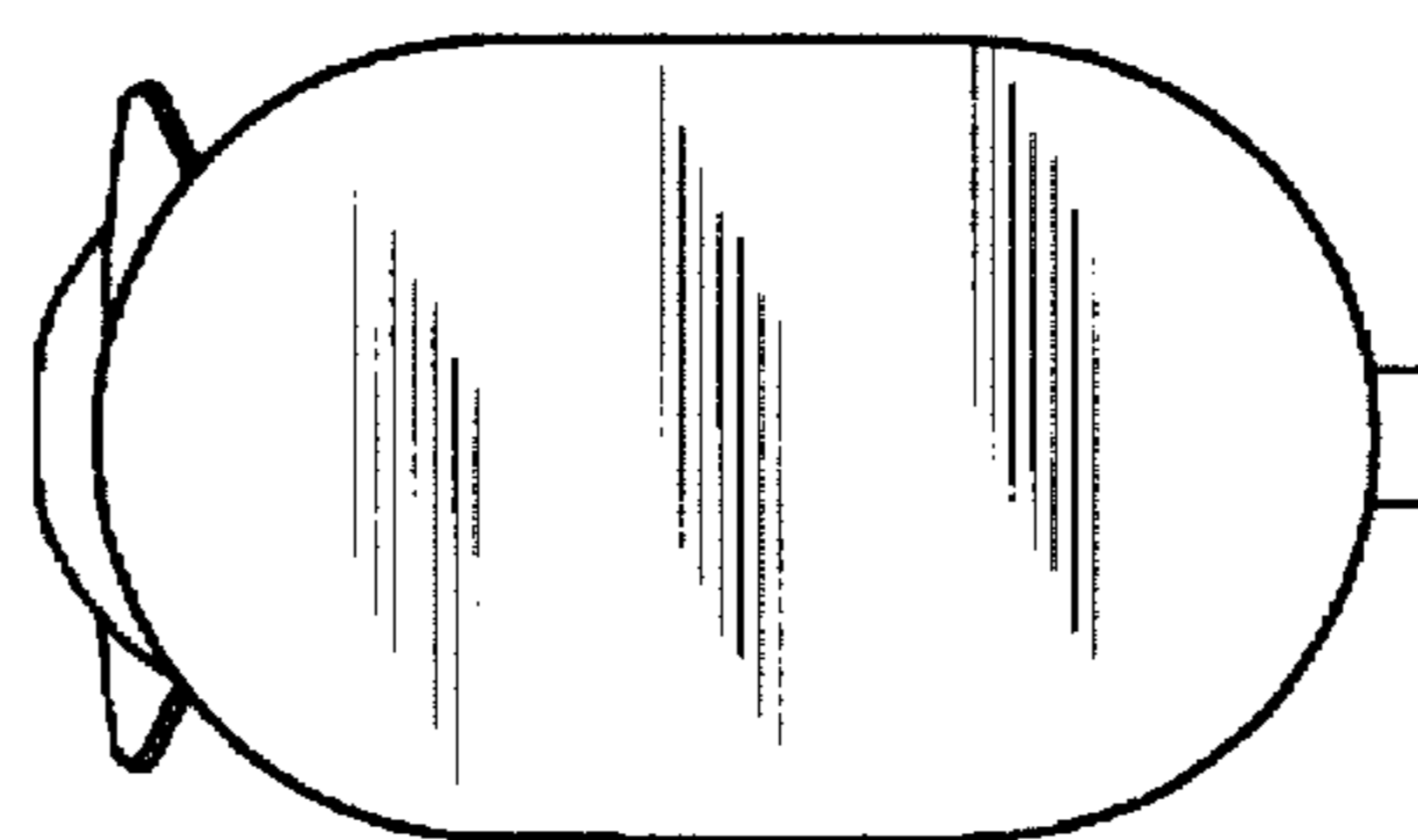


Fig-7