



US00D386567S

United States Patent [19] Reeves

[11] Patent Number: **Des. 386,567**

[45] Date of Patent: ****Nov. 18, 1997**

[54] **MULTI SHOWER HEAD**

[76] Inventor: **Richard Reeves**, 3535 Hogan Cir.,
Cottonwood, Ariz. 86326

[**] Term: **14 Years**

[21] Appl. No.: **62,456**

[22] Filed: **Nov. 15, 1996**

[51] LOC (6) CL **23-01**

[52] U.S. Cl. **D23/213**

[58] Field of Search **D23/213, 223-229;**
239/550, 551, 459, 460, 394; 6/401

[56] **References Cited**

U.S. PATENT DOCUMENTS

120,555	10/1871	Venn	4/601
D. 299,850	2/1989	Feher et al.	D23/229
D. 329,276	9/1992	Blake	D23/213
D. 341,874	11/1993	Meilman	D23/213
4,975,993	12/1990	Black et al.	4/601

Primary Examiner—Alan P. Douglas
Assistant Examiner—Robin V. Taylor
Attorney, Agent, or Firm—Snell & Wilmer L.L.P.

[57] **CLAIM**

The ornamental design for a multi shower head, as shown and described.

DESCRIPTION

FIG. 1 is a perspective view of a multi shower head showing my new design;

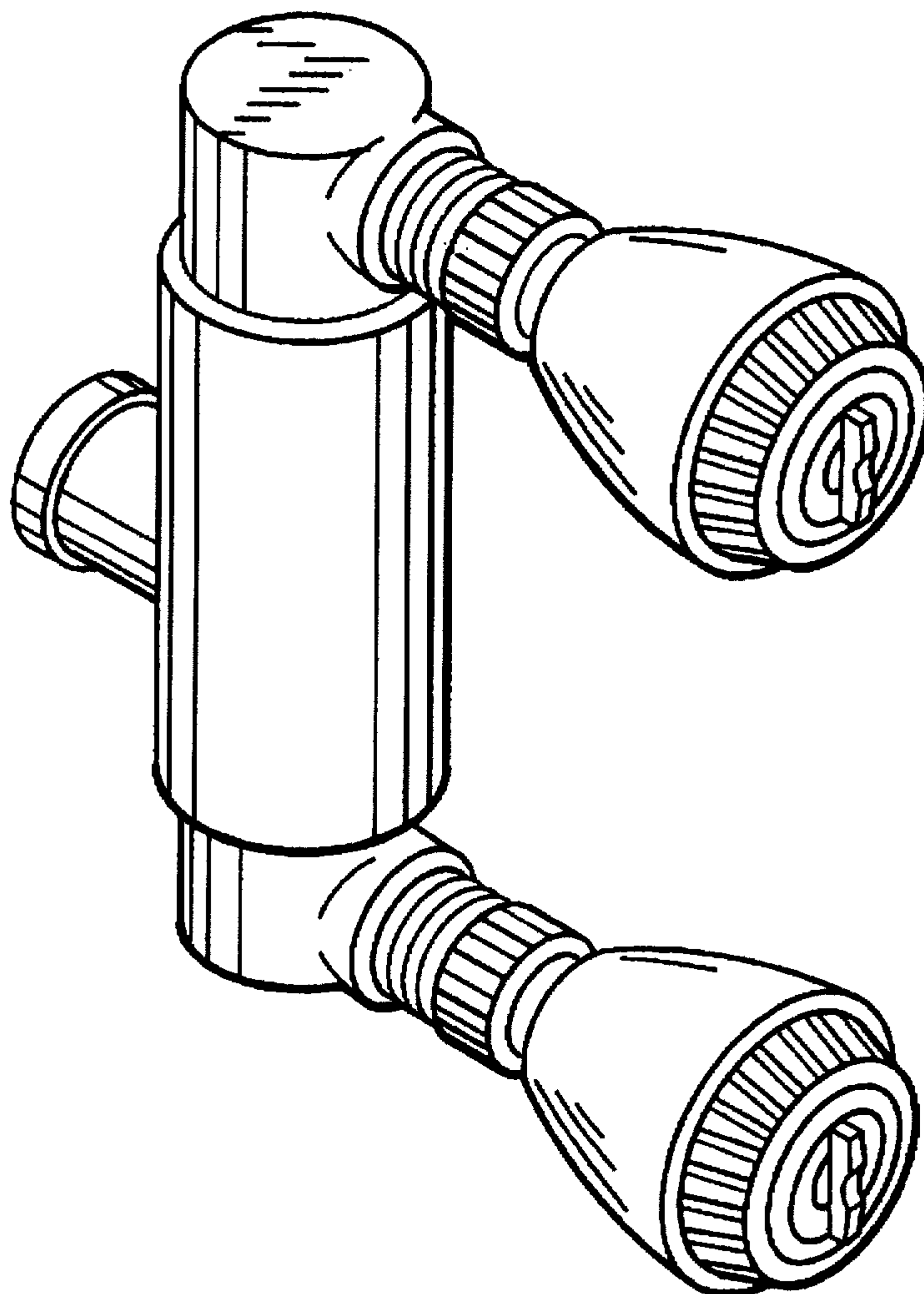
FIG. 2 is a bottom plan view thereof;

FIG. 3 is a top plan view thereof;

FIG. 4 is a front side view thereof; the other side being a mirror image; and,

FIG. 5 is a right side elevational view thereof; the other side being a mirror image.

1 Claim, 1 Drawing Sheet



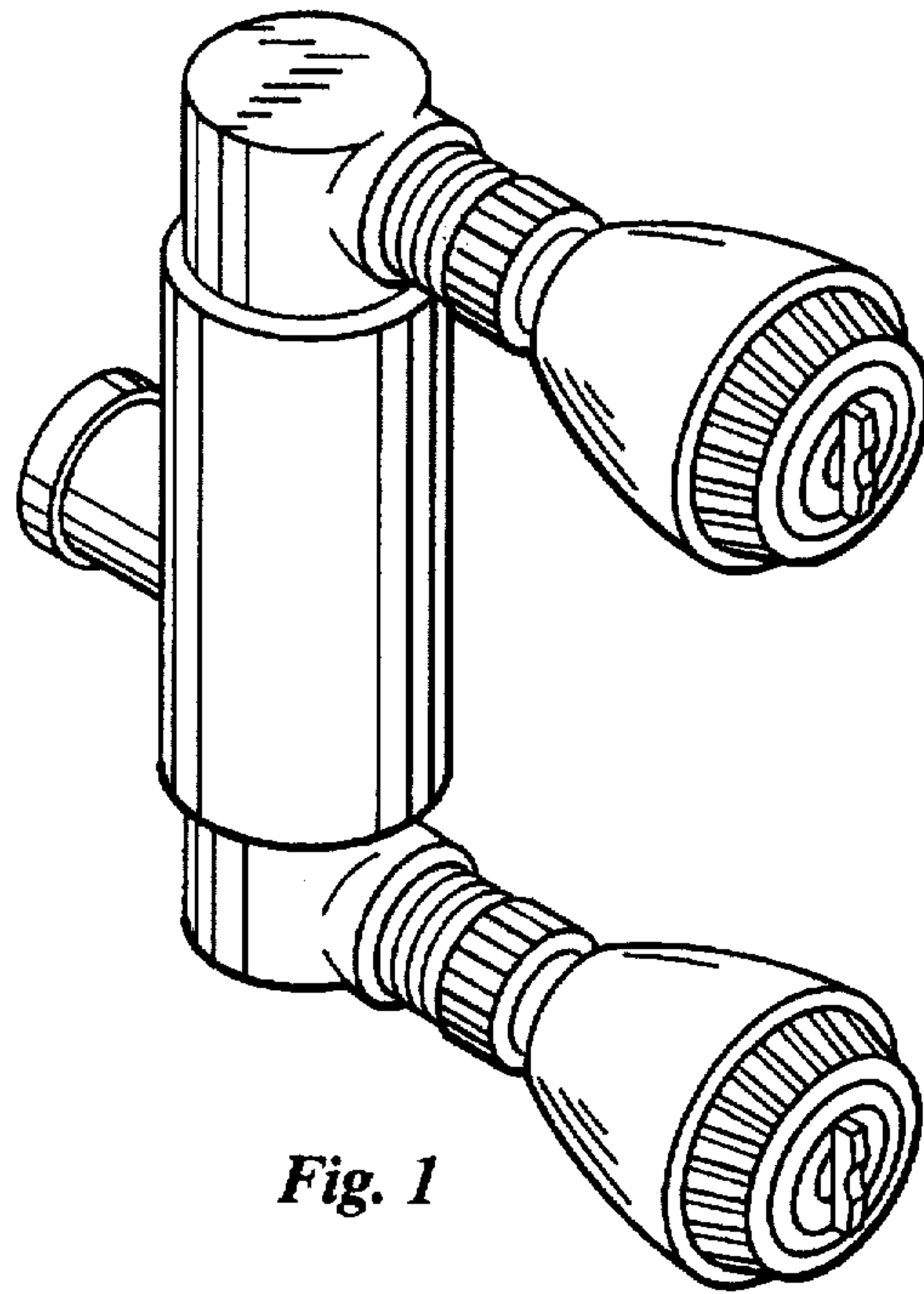


Fig. 1

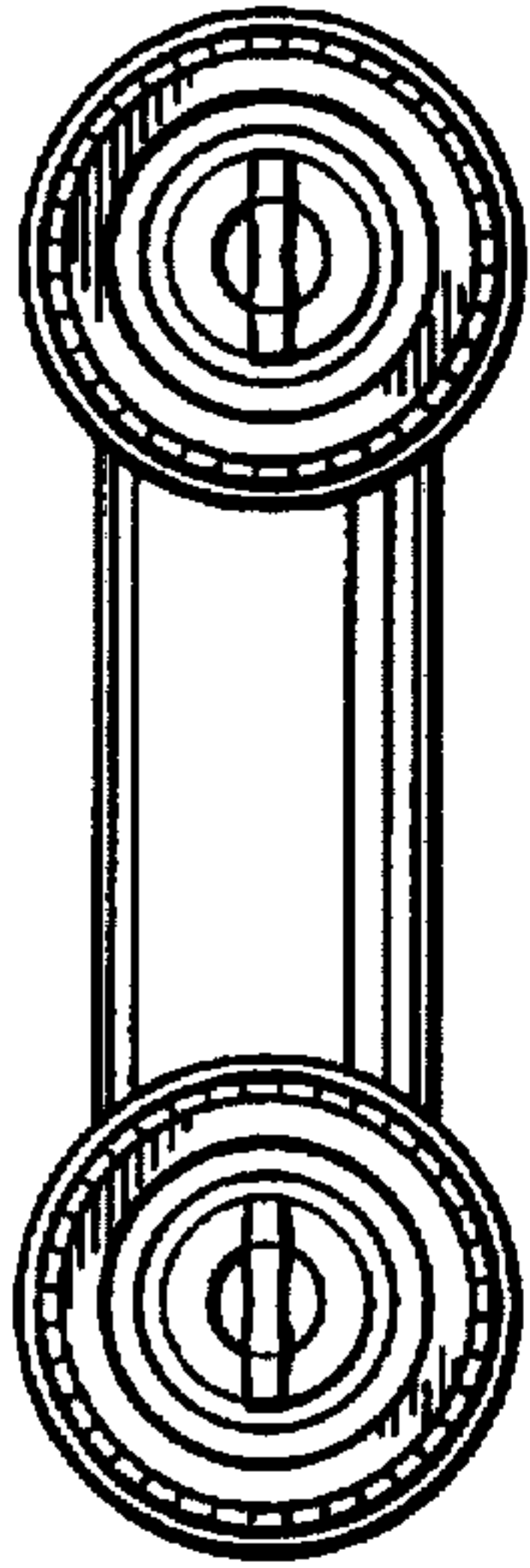


Fig. 2

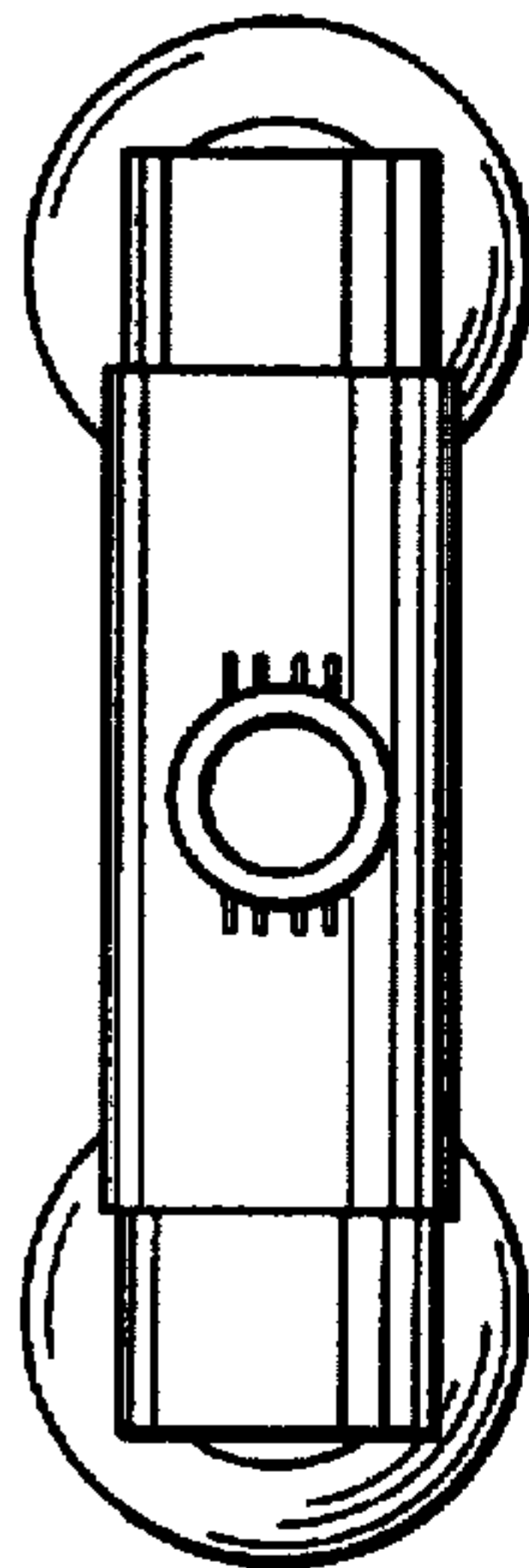


Fig. 3

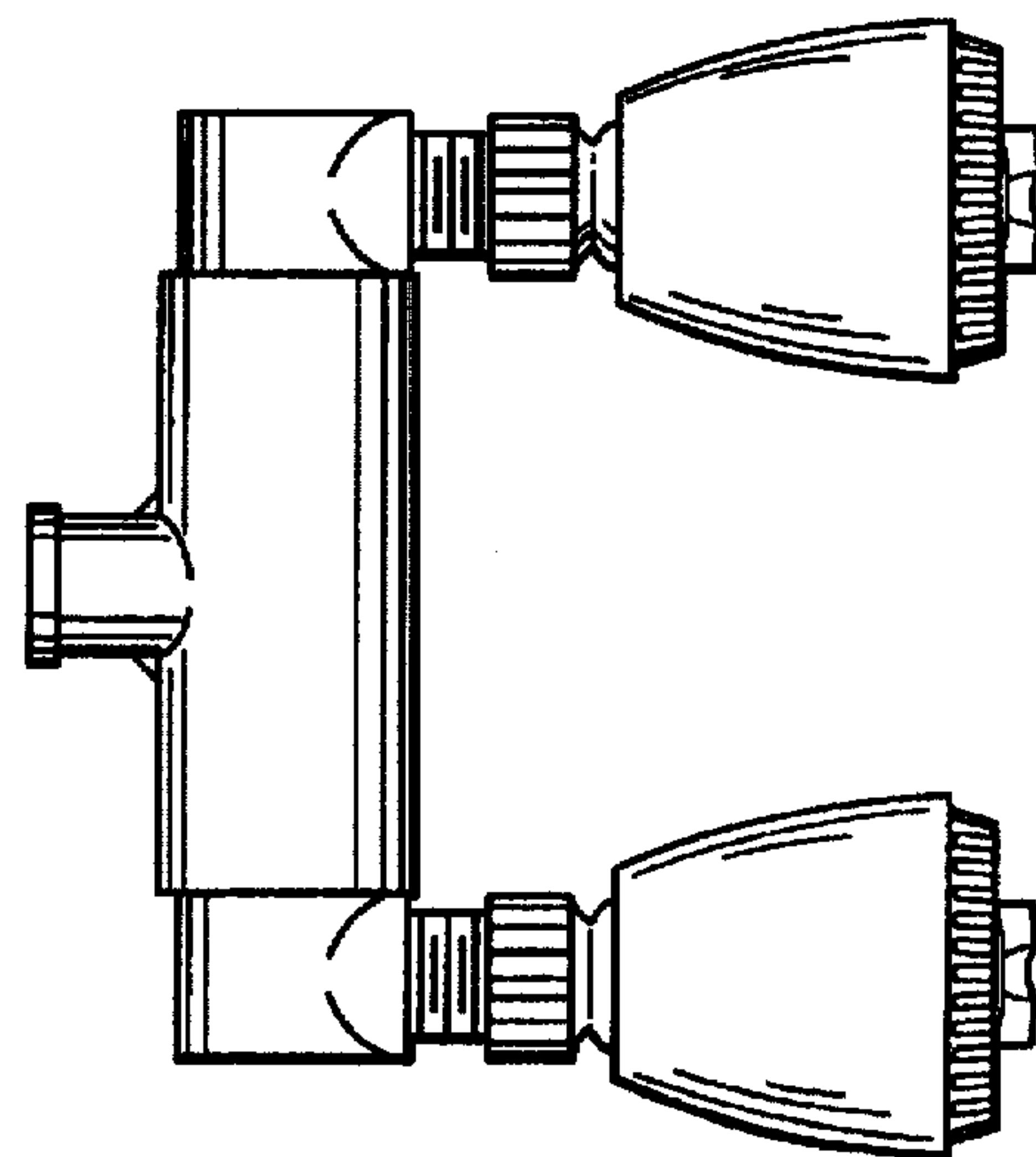


Fig. 4

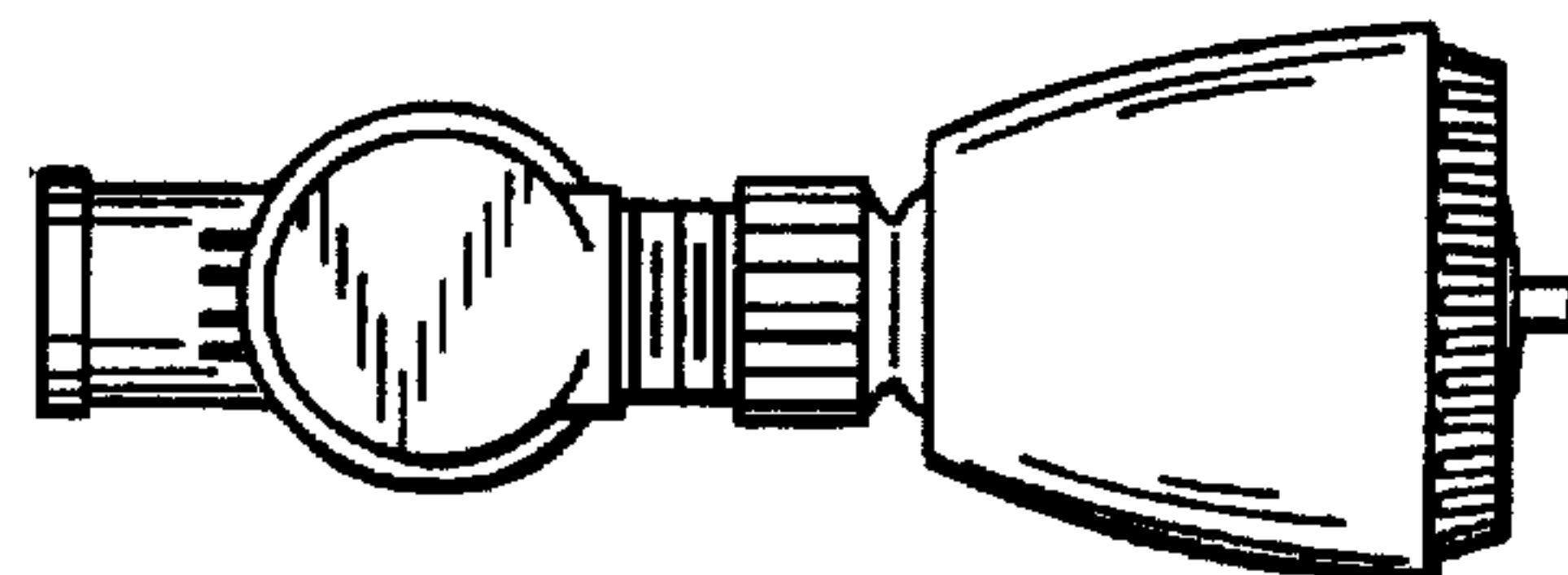


Fig. 5