



US00D386565S

United States Patent [19]
Jané et al.

[11] **Patent Number: Des. 386,565**
[45] **Date of Patent: **Nov. 18, 1997**

[54] **TABLE FAN**

[75] Inventors: **Rodney Jané**, Westboro; **Diane Allen**, Marlborough, both of Mass.; **Jui-Shang Wang**, Taipei, Taiwan; **Stanley Gresens**, Homewood, Ill.

[73] Assignee: **Duracraft Corp.**, Southborough, Mass.

[**] Term: **14 Years**

[21] Appl. No.: **48,895**

[22] Filed: **Jan. 16, 1996**

[51] **LOC (6) Cl.** **23-04**

[52] **U.S. Cl.** **D23/382; D23/378; D23/381**

[58] **Field of Search** **D23/378, 381, D23/382, 411-413; 248/127; 416/247, 244 R**

[56] **References Cited**

U.S. PATENT DOCUMENTS

D. 104,064	4/1937	Hamilton	D23/382
D. 309,944	8/1990	Chiu	D23/382
D. 315,018	2/1991	Wang	D23/382
D. 317,199	5/1991	Wang	D23/382
D. 374,071	9/1996	Wang et al.	D23/382
5,547,343	8/1996	Jané et al.	416/246

OTHER PUBLICATIONS

Hong Kong Enterprise Oct. 1993, p. 400, Piano Key Fan (A), middle of page.

Primary Examiner—Lisa Lichtenstein
Attorney, Agent, or Firm—Loletta L. Darden

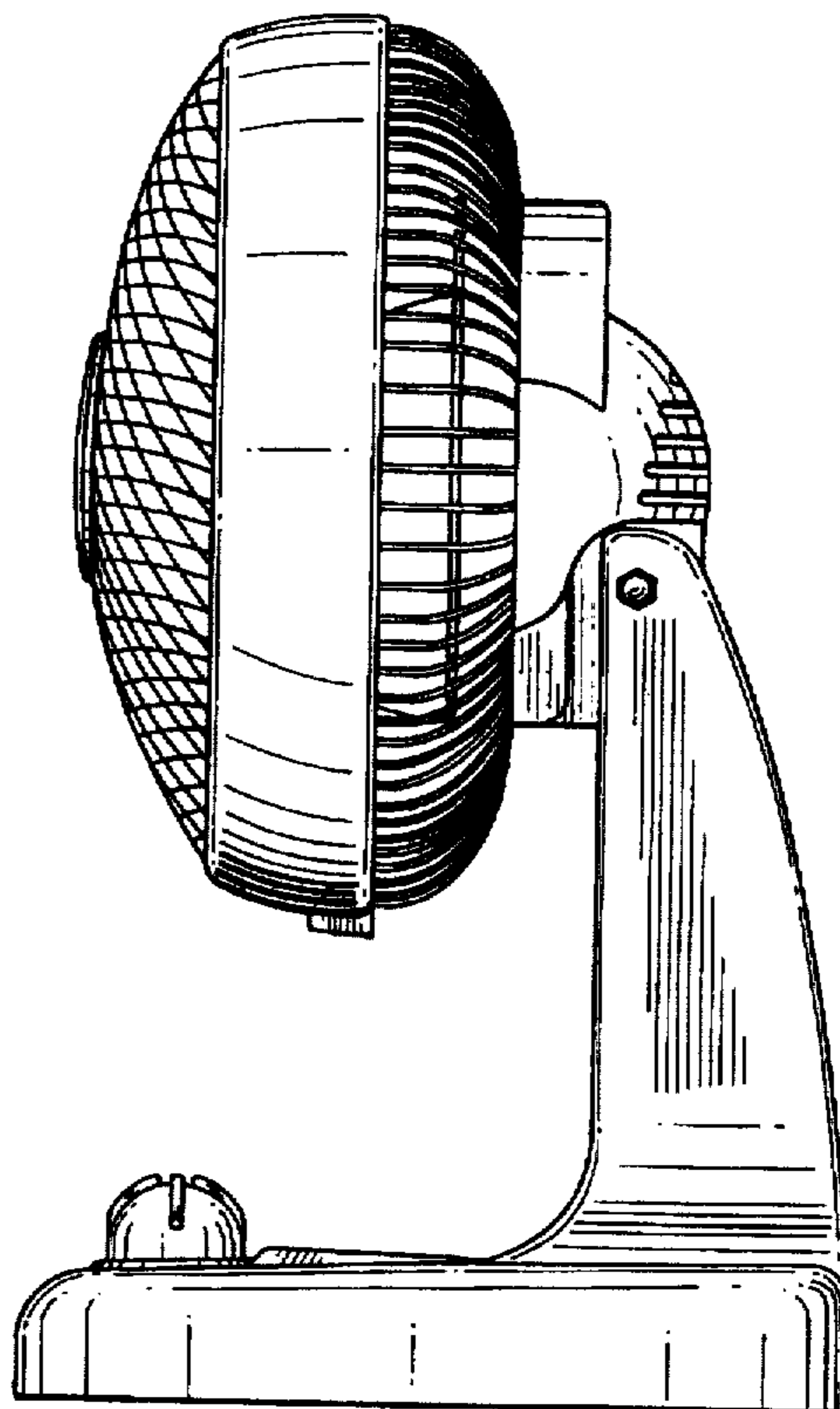
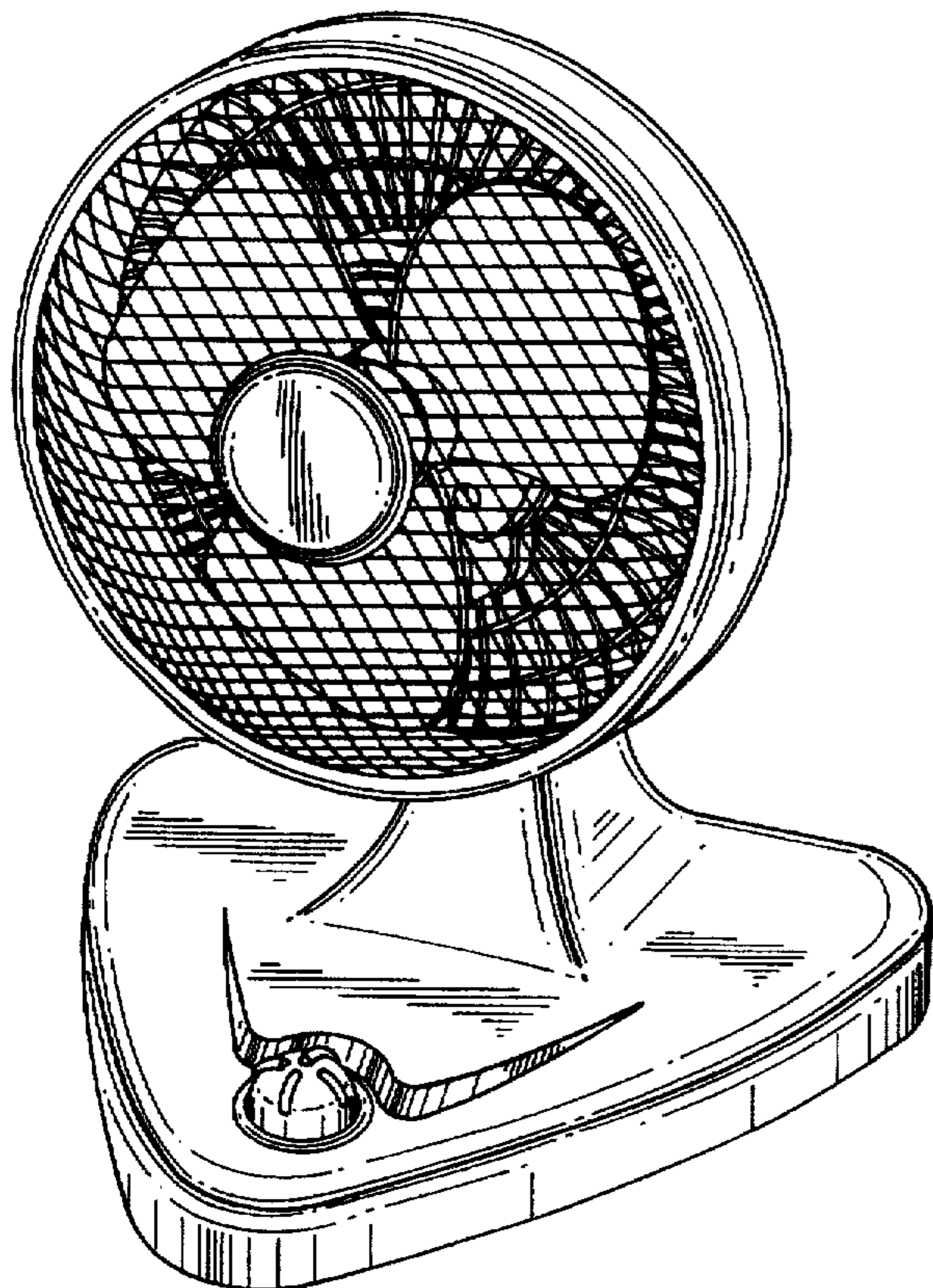
[57] **CLAIM**

The ornamental design for a table fan, as shown.

DESCRIPTION

FIG. 1 shows a front perspective view of a table fan incorporating our design;
FIG. 2 shows a rear elevational view of the table fan shown in FIG. 1;
FIG. 3 shows a left side elevational view of the table fan shown in FIG. 1;
FIG. 4 shows a right side elevational view of the table fan shown in FIG. 1;
FIG. 5 shows a front elevational view of the table fan shown in FIG. 1;
FIG. 6 shows a top plan view of the table fan shown in FIG. 1; and,
FIG. 7 shows a bottom plan view of the table fan shown in FIG. 1.

1 Claim, 7 Drawing Sheets



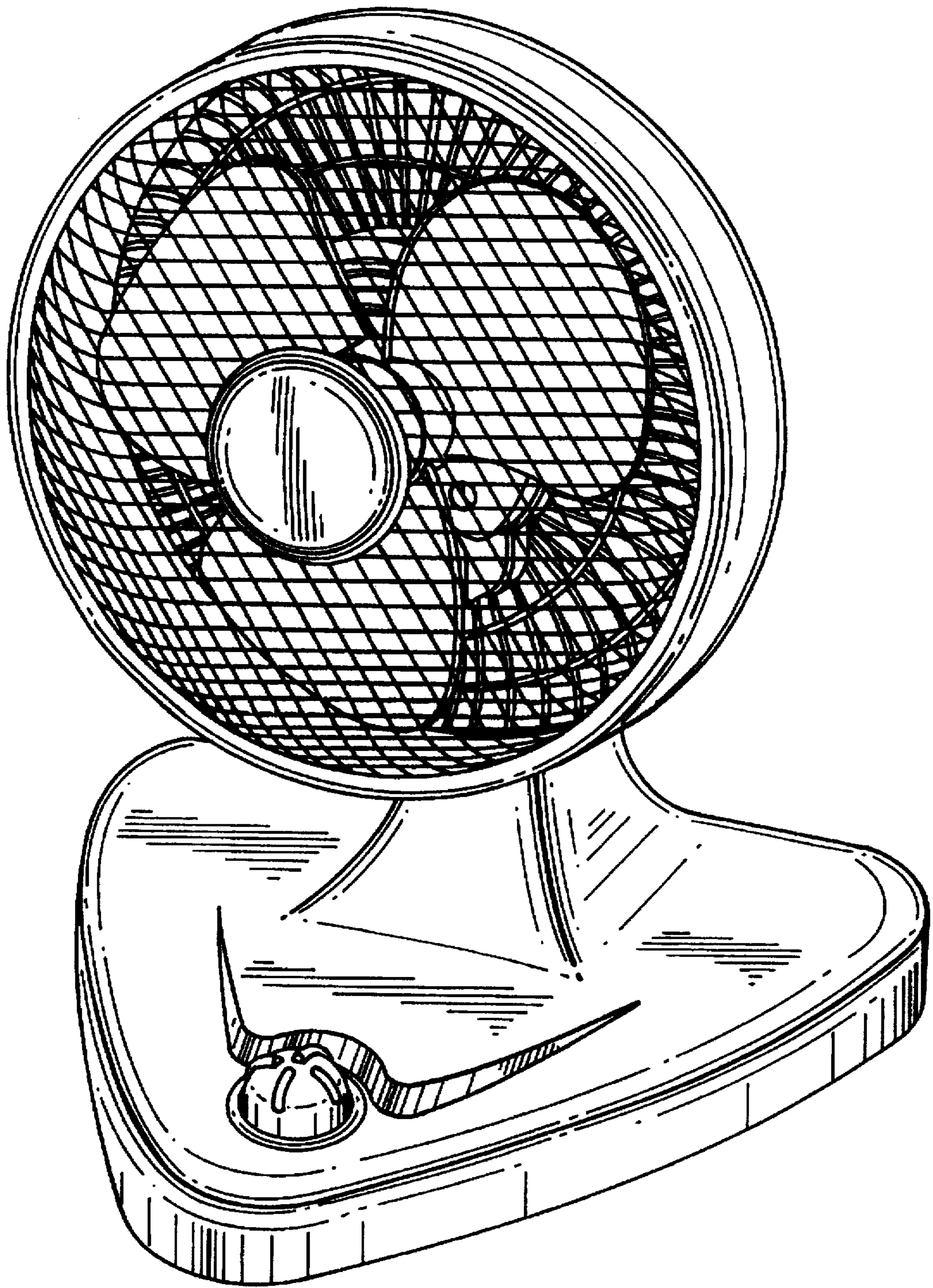


FIG. 1

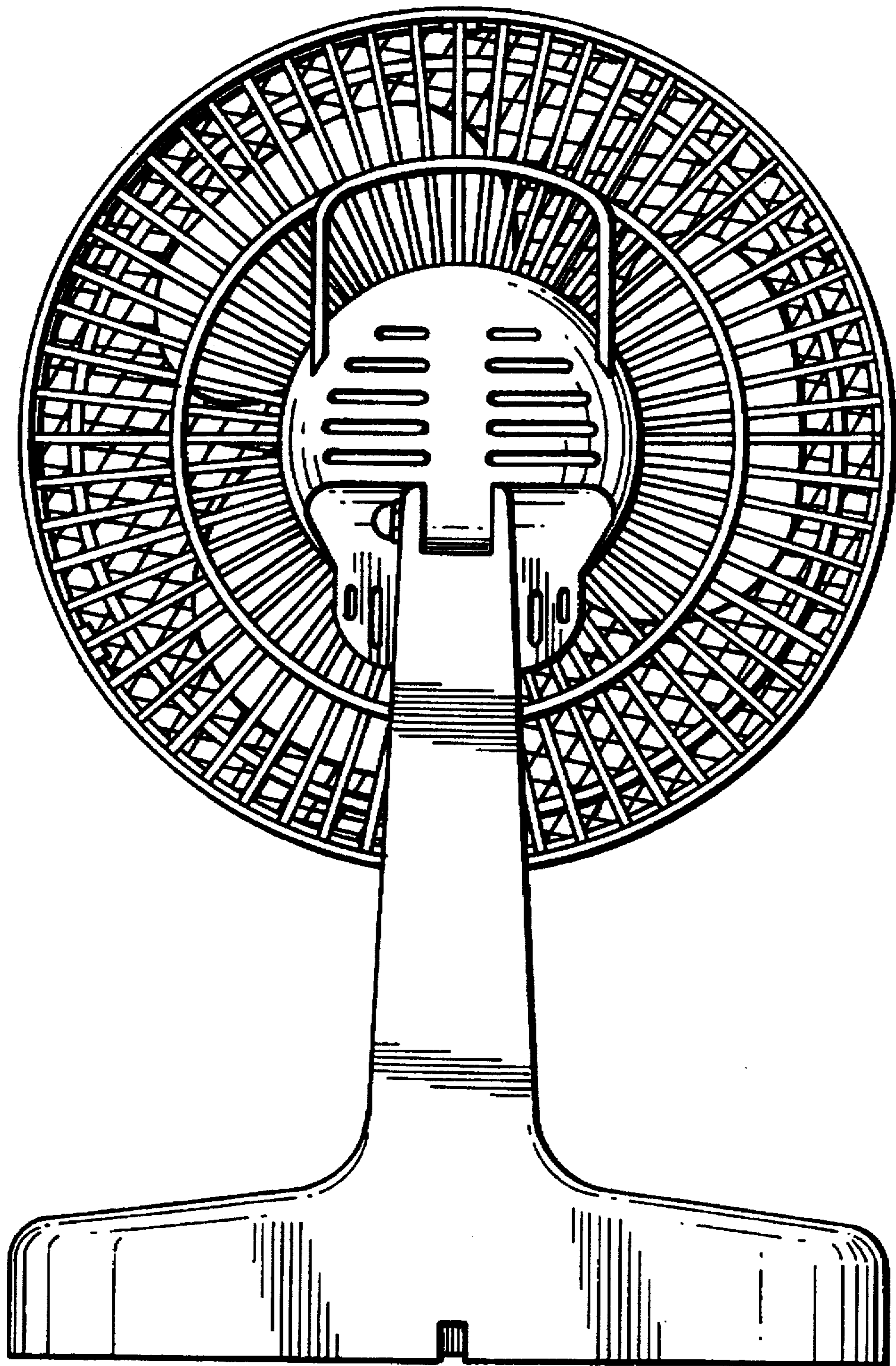


FIG. 2

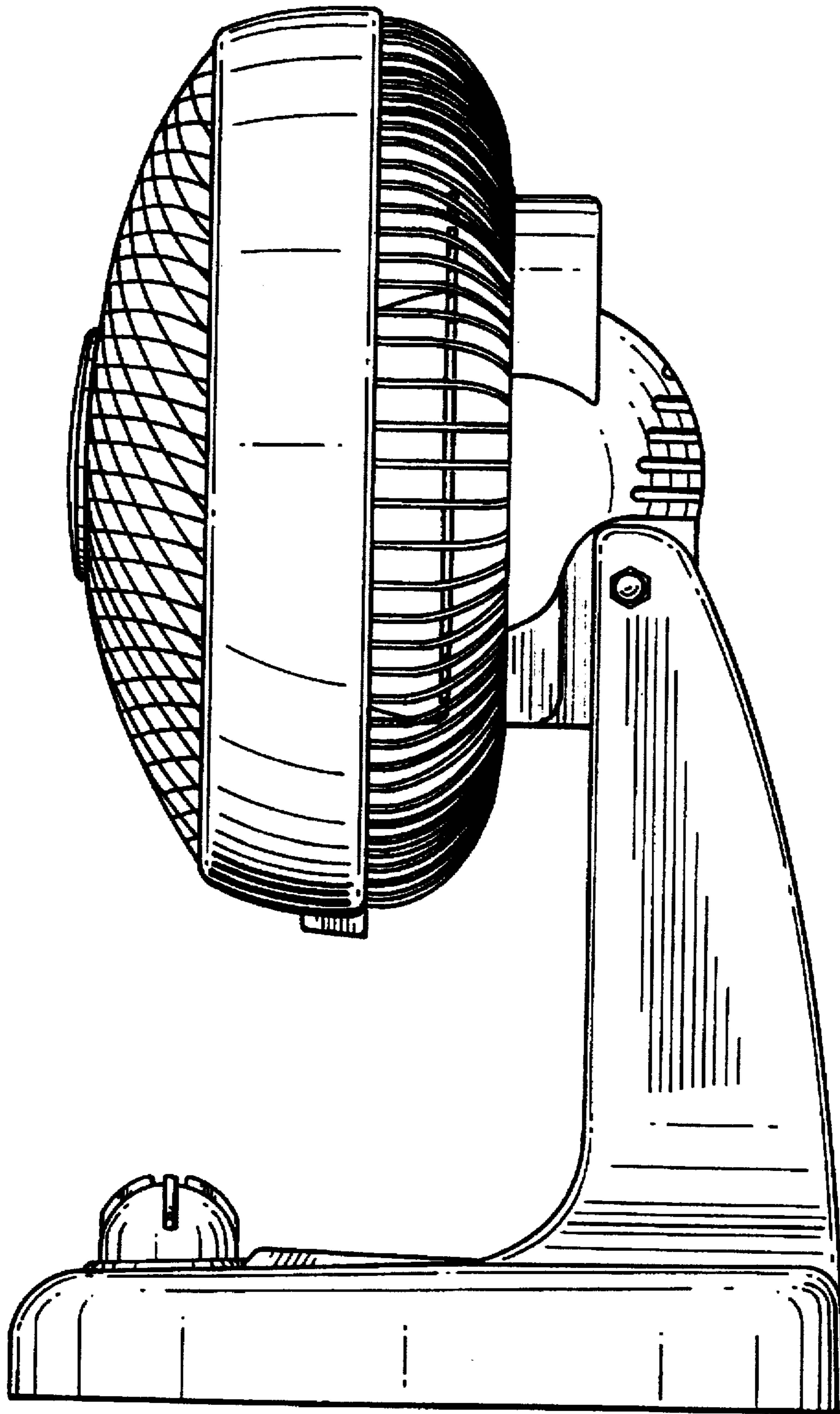


FIG. 3

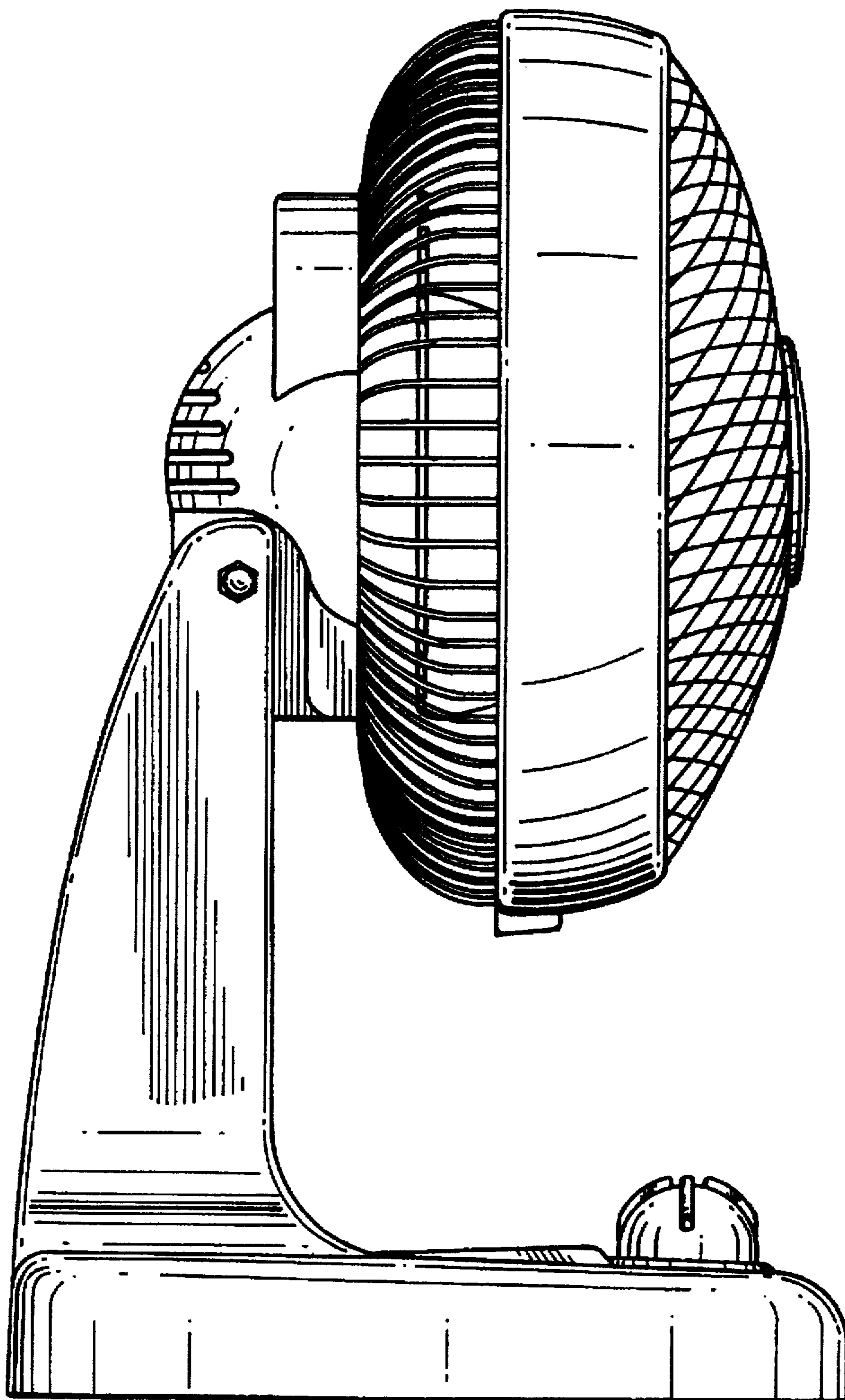


FIG. 4

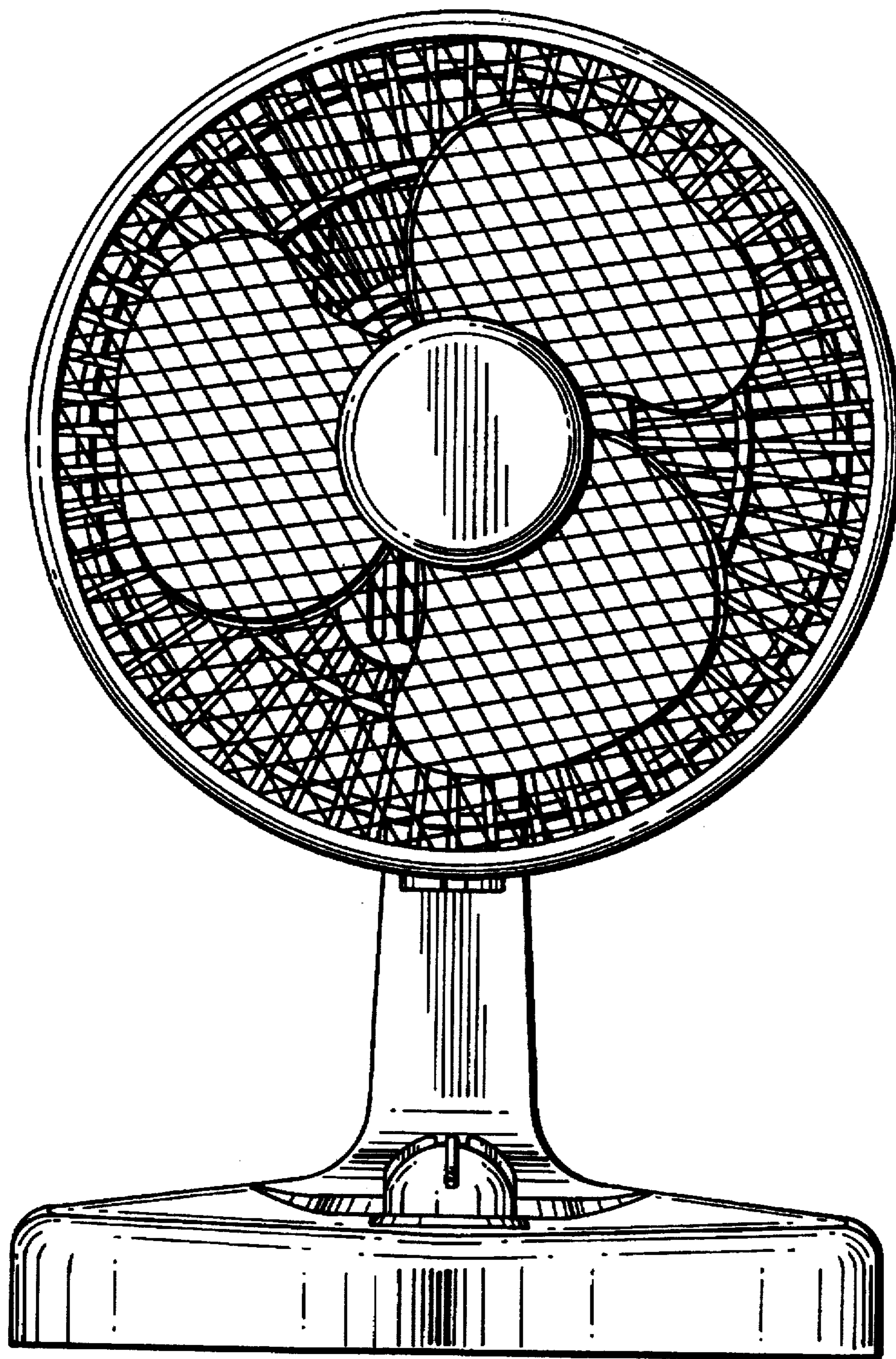


FIG. 5

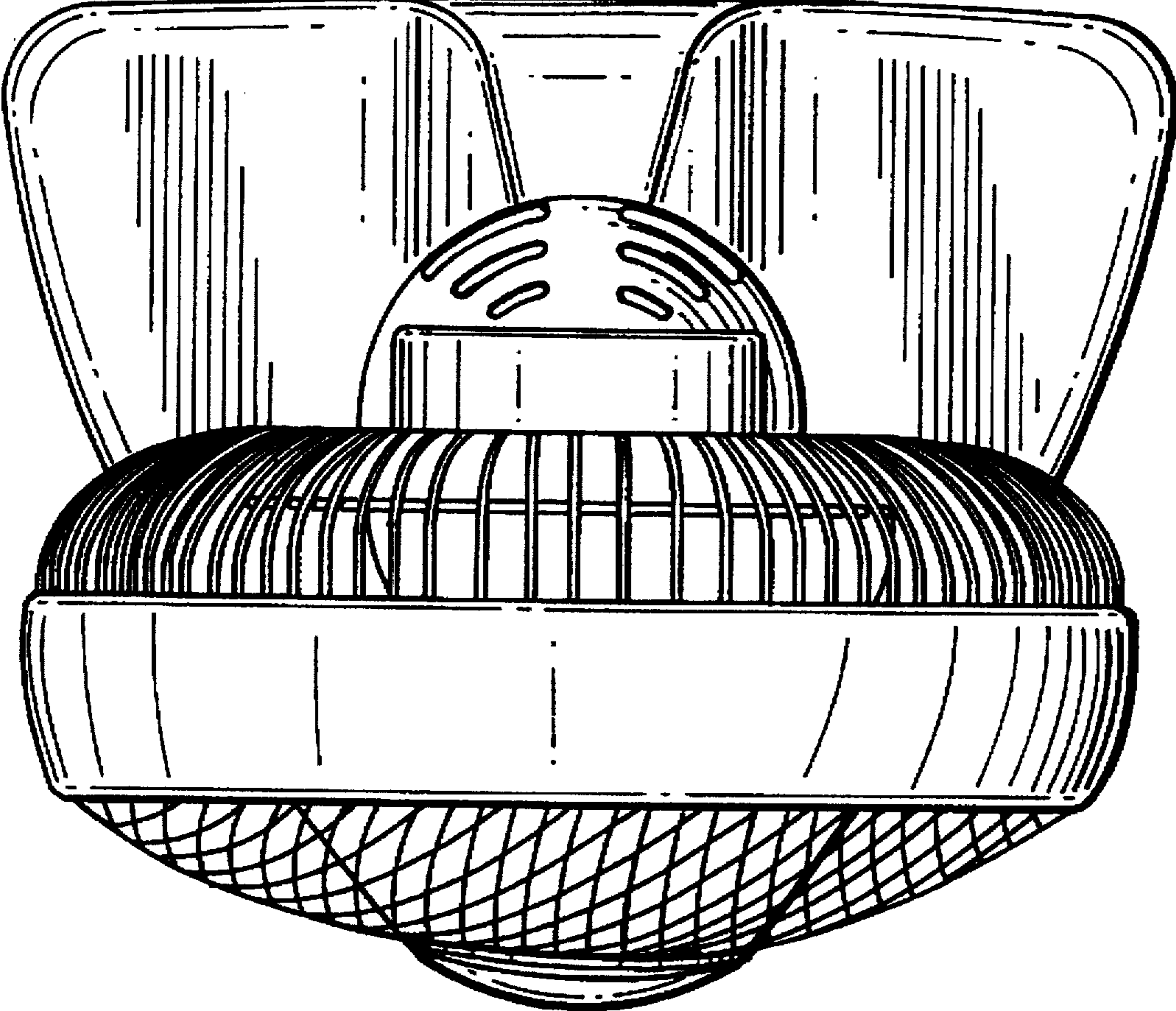


FIG. 6

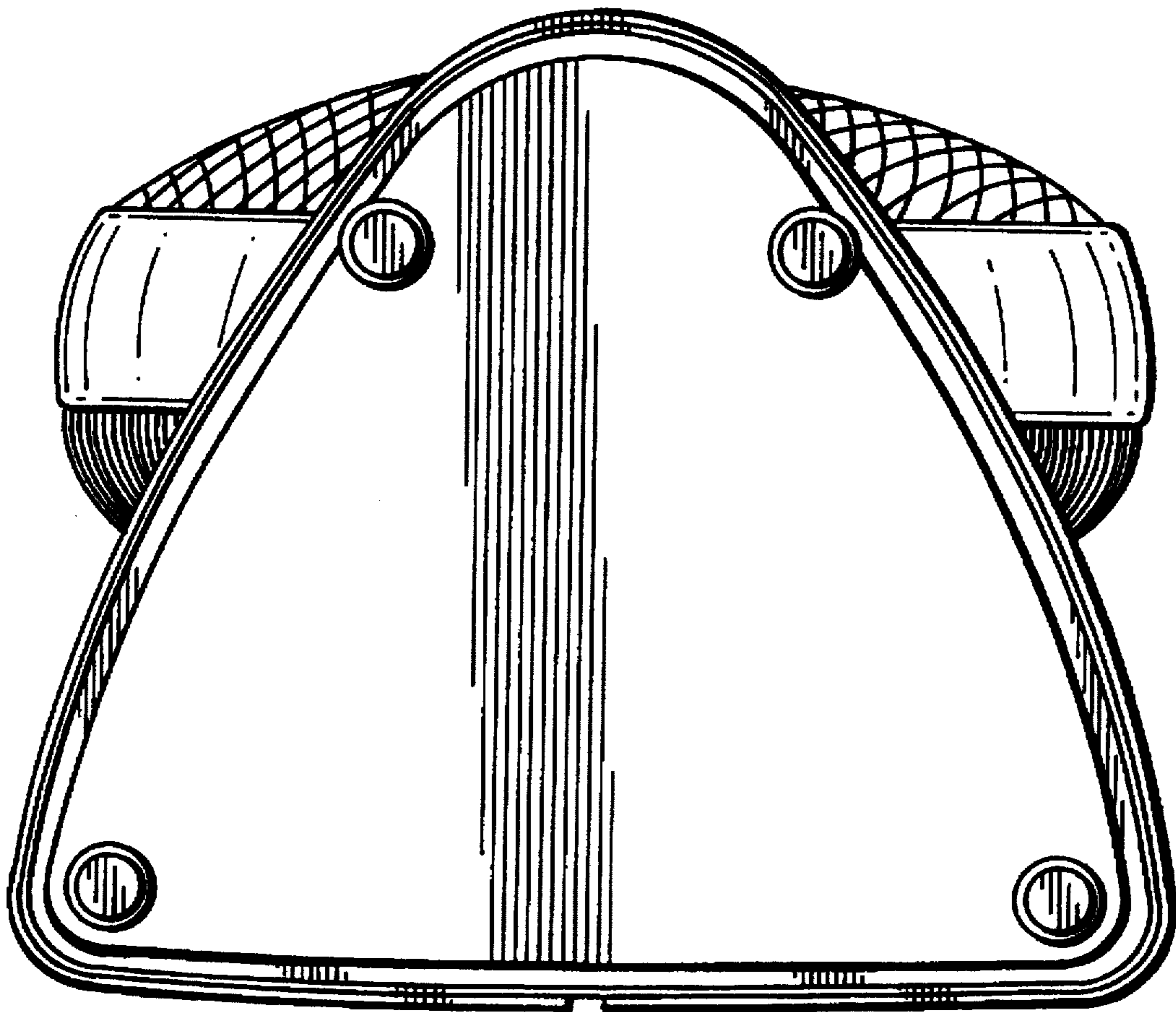


FIG. 7