



US00D386564S

United States Patent [19]
Mycroft

[11] **Patent Number: Des. 386,564**

[45] **Date of Patent: **Nov. 18, 1997**

[54] **AIR TREATMENT APPARATUS**
[75] **Inventor: Damian Mycroft, London, England**
[73] **Assignee: Reckitt & Colman Products Limited, London, England**
[**] **Term: 14 Years**

D. 365,629 12/1995 Wallwork et al. D23/366
5,064,624 11/1991 King 239/34

Primary Examiner—Lisa Lichtenstein
Attorney, Agent, or Firm—Fish & Richardson P.C.

[21] **Appl. No.: 49,845**

[22] **Filed: Feb. 1, 1996**

[30] **Foreign Application Priority Data**

Aug. 2, 1995 [GB] United Kingdom 2049279

[51] **LOC (6) Cl. 23-04**

[52] **U.S. Cl. D23/369; D23/355; D23/366**

[58] **Field of Search D23/366-369, D23/355; 239/60, 59, 57, 56, 34; 422/223; D9/414, 430, 529, 575**

[57] **CLAIM**

The ornamental design for an air treatment apparatus, as shown and described.

DESCRIPTION

FIG. 1 is a front view of an air treatment apparatus showing my new design;
FIG. 2 is a left side view thereof, the right side being a mirror image;
FIG. 3 is an enlarged top plan view thereof;
FIG. 4 is a front and left side perspective view thereof;
FIG. 5 is an enlarged underside view thereof;
FIG. 6 is a rear view thereof;
FIG. 7 is a front view thereof showing the apparatus in an alternative position; and,
FIG. 8 is a front and left side perspective view of the apparatus in said alternate position.

[56] **References Cited**

U.S. PATENT DOCUMENTS

D. 356,368 3/1995 Kunze D9/430

1 Claim, 4 Drawing Sheets

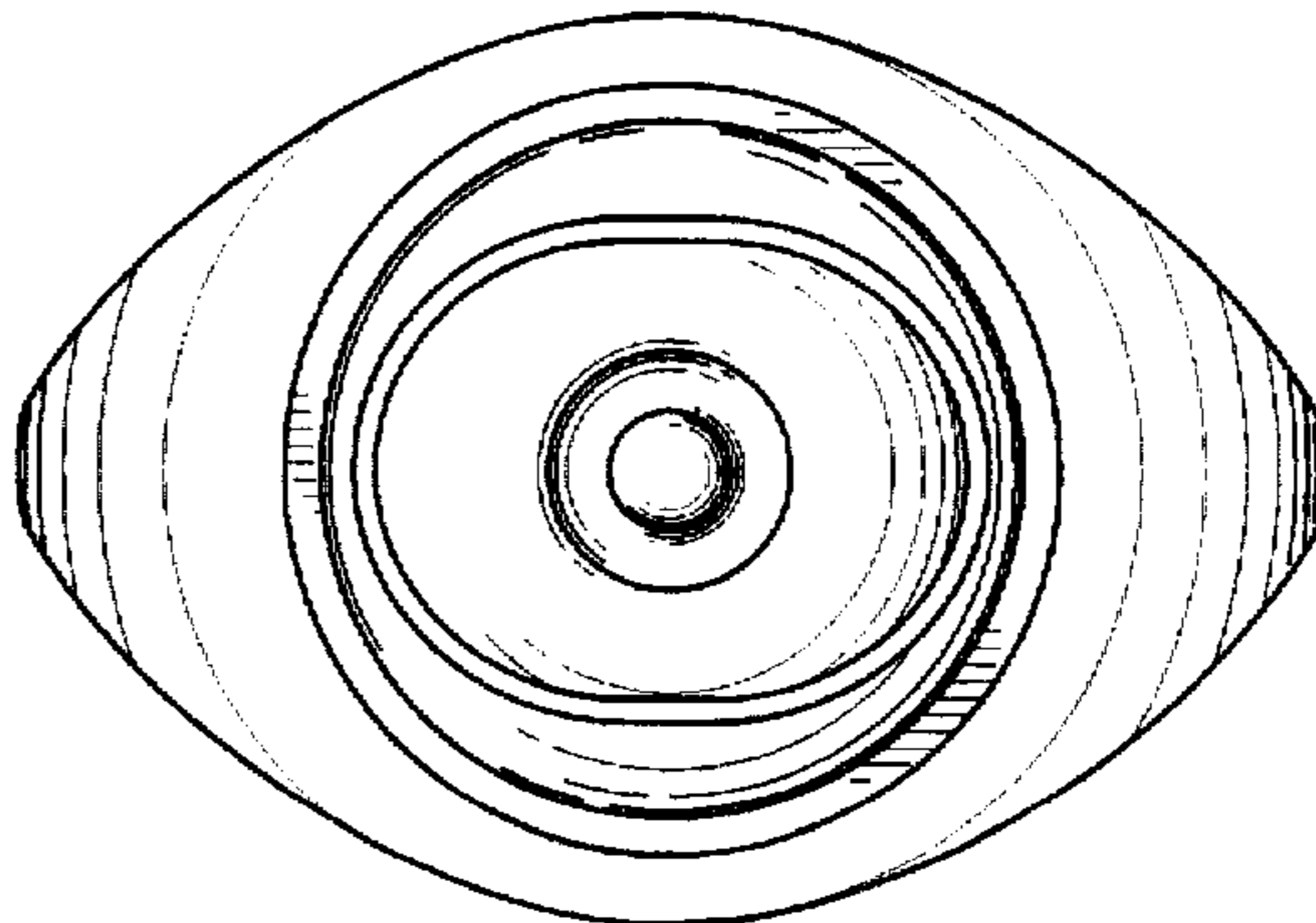
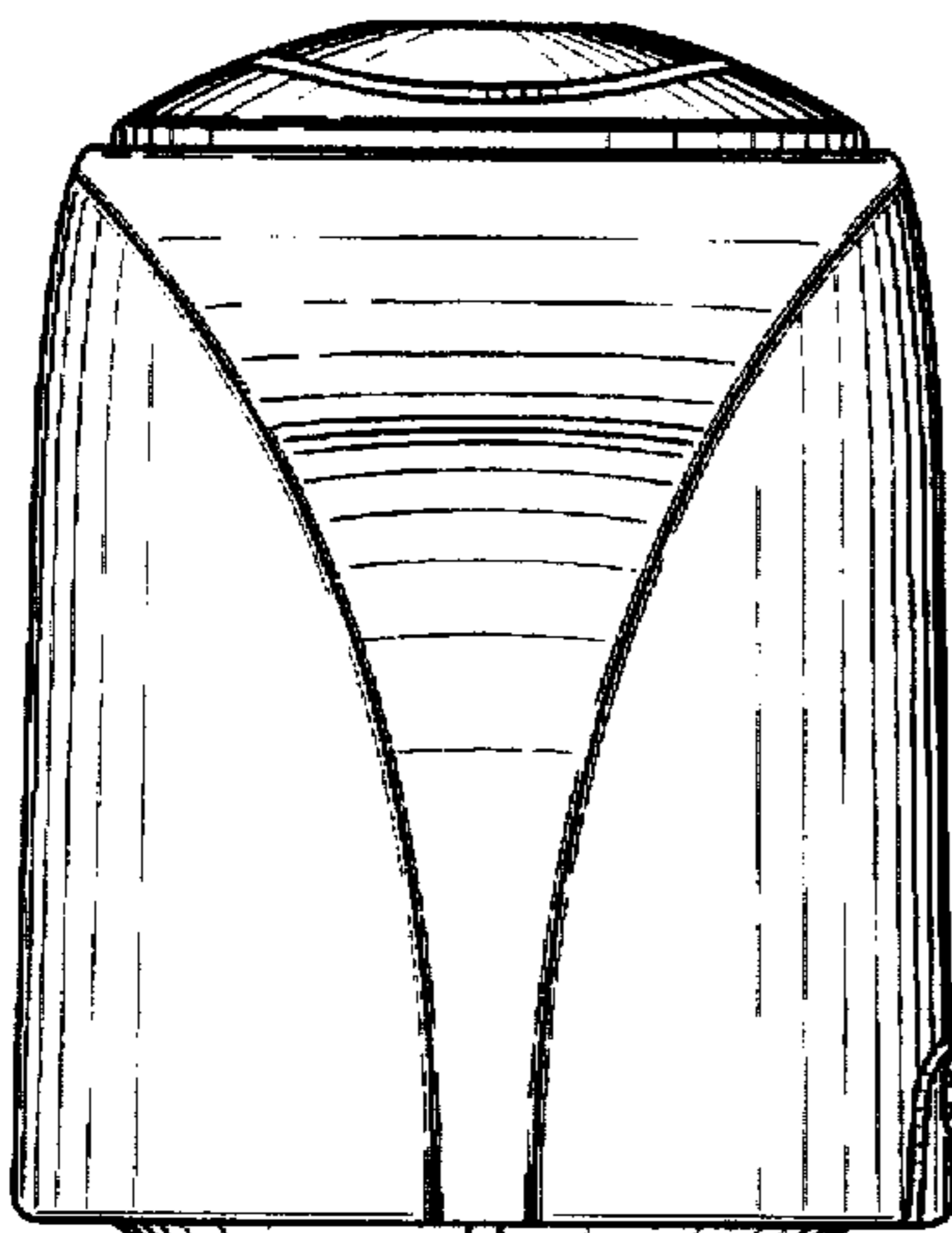
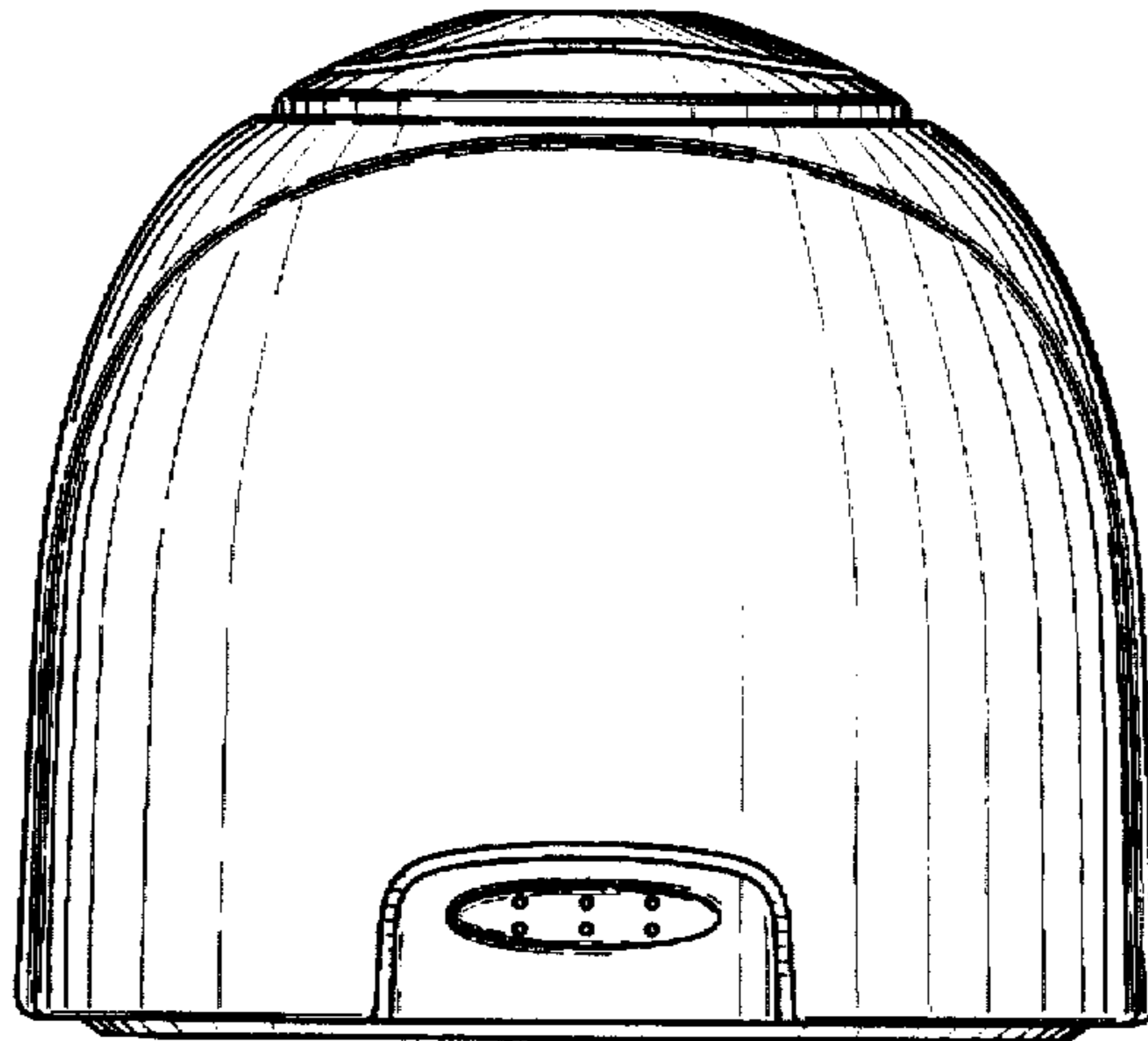


FIG. 1

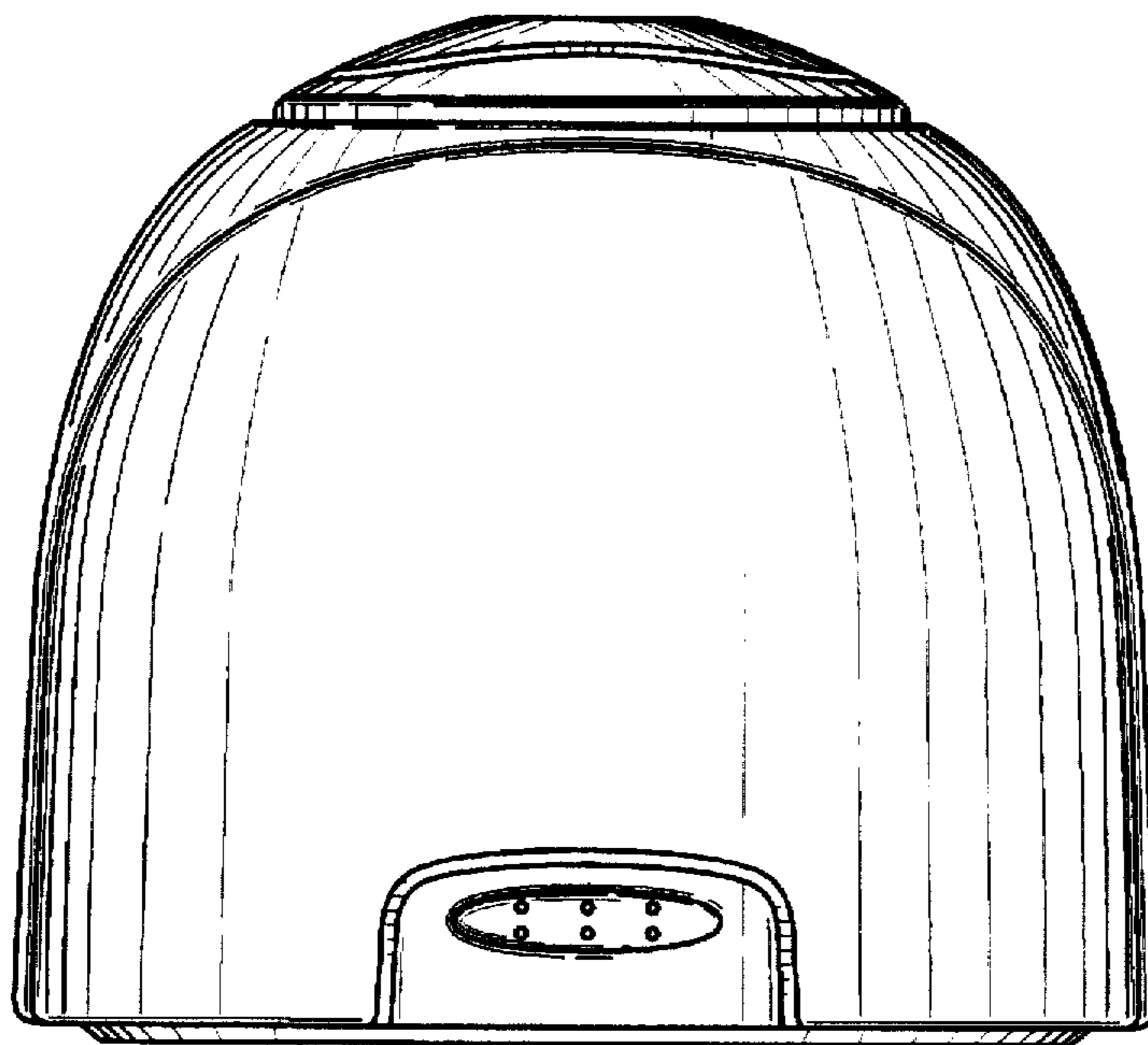


FIG. 2

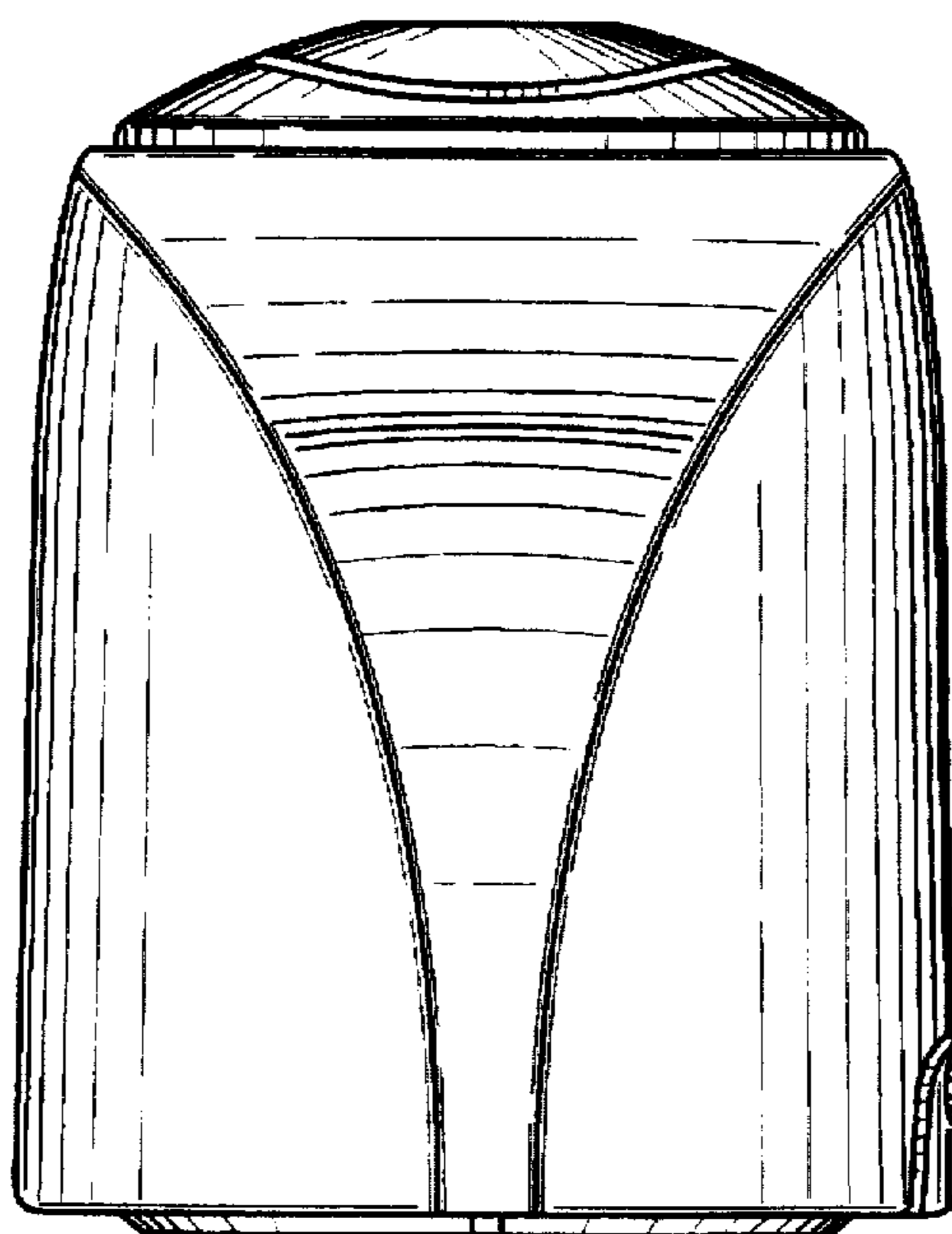


FIG. 3

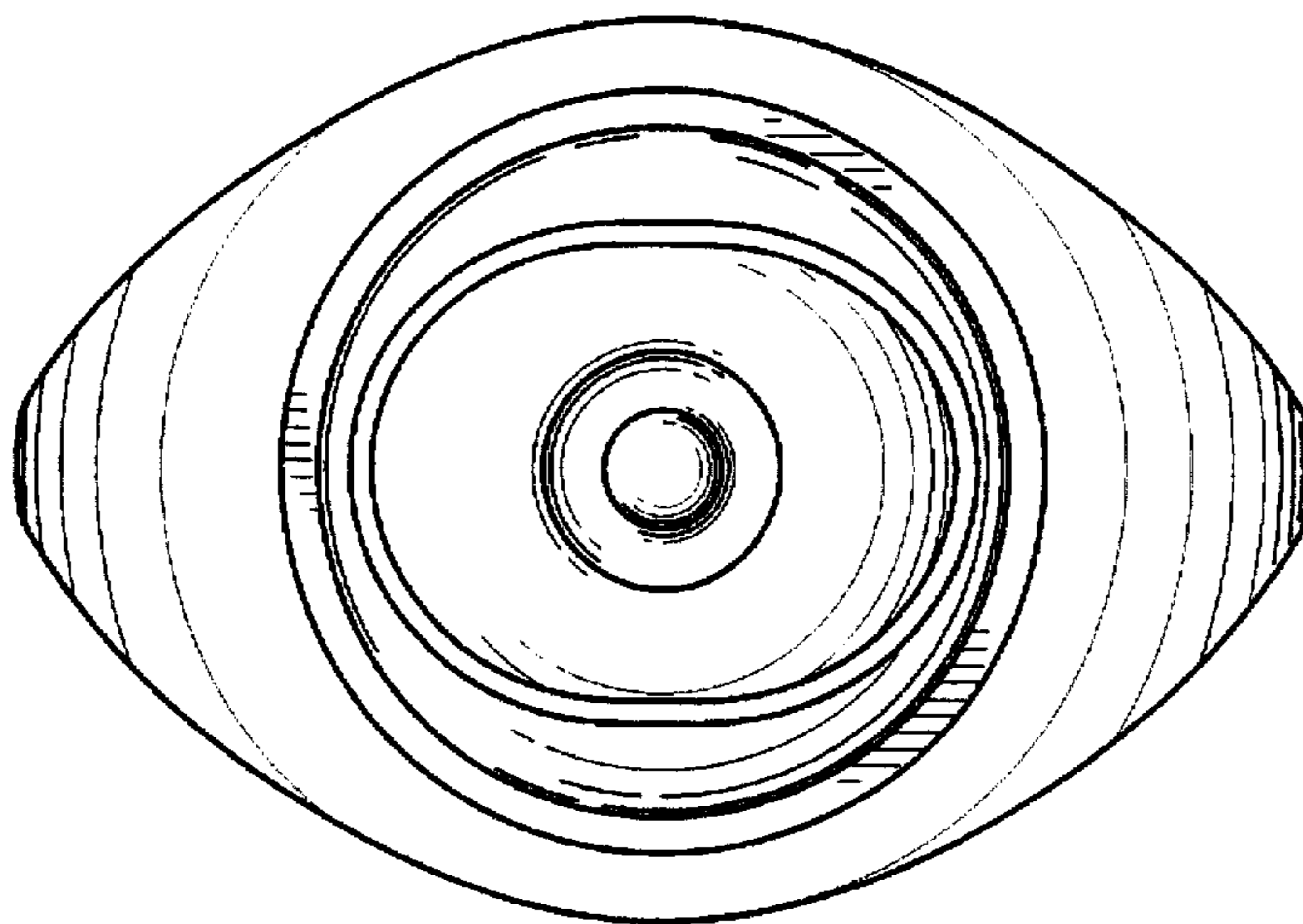


FIG. 4

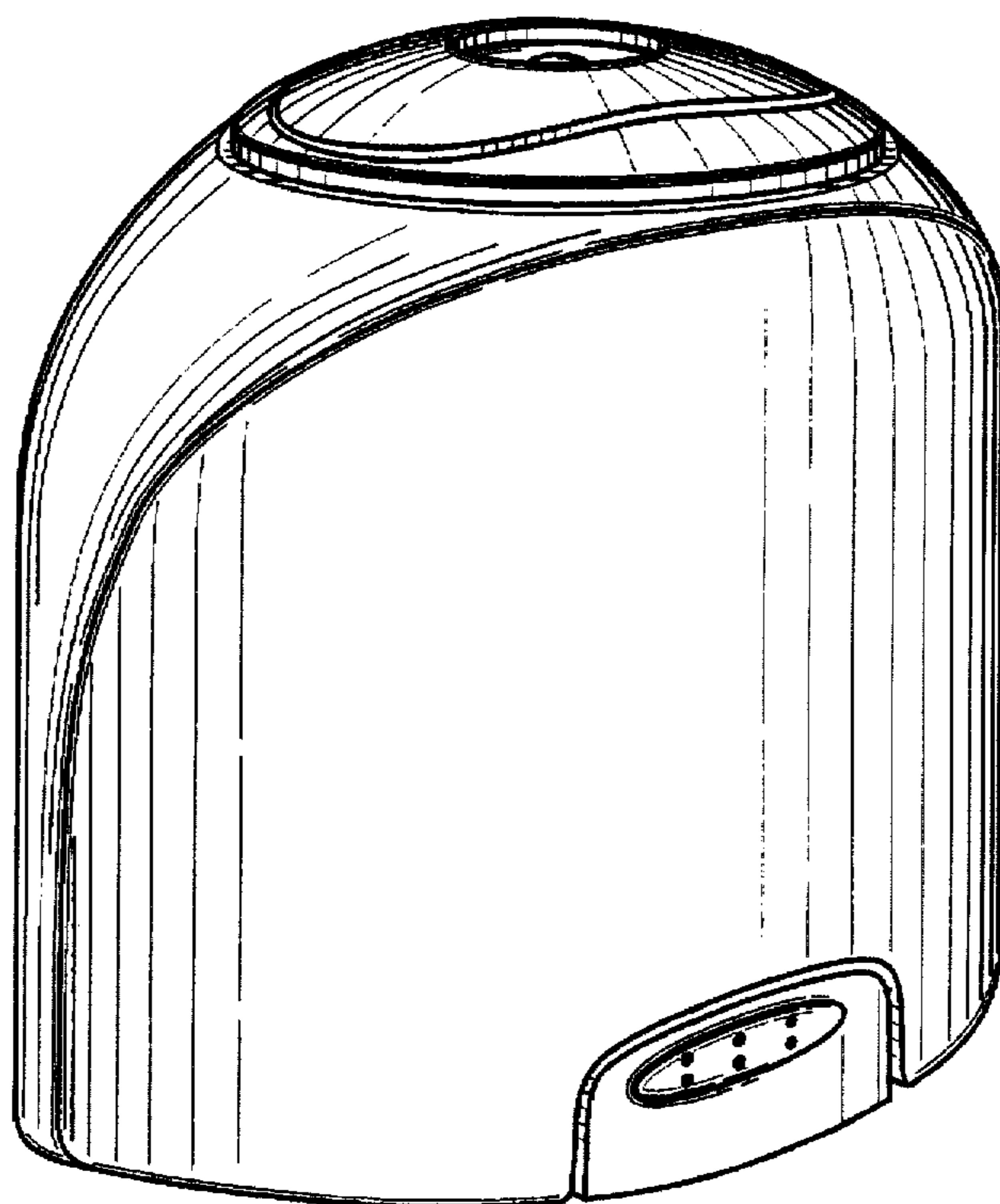


FIG. 5

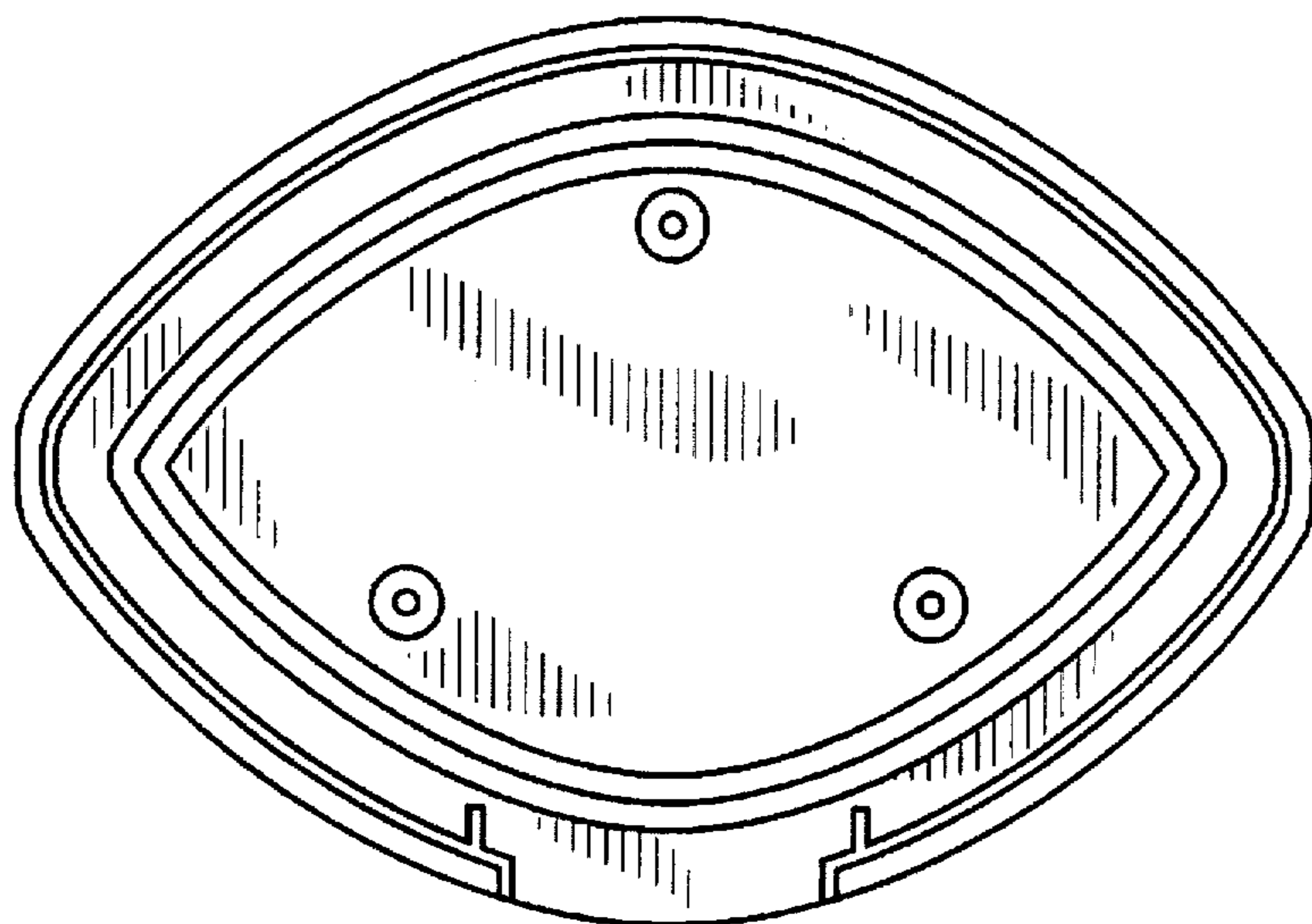


FIG. 6

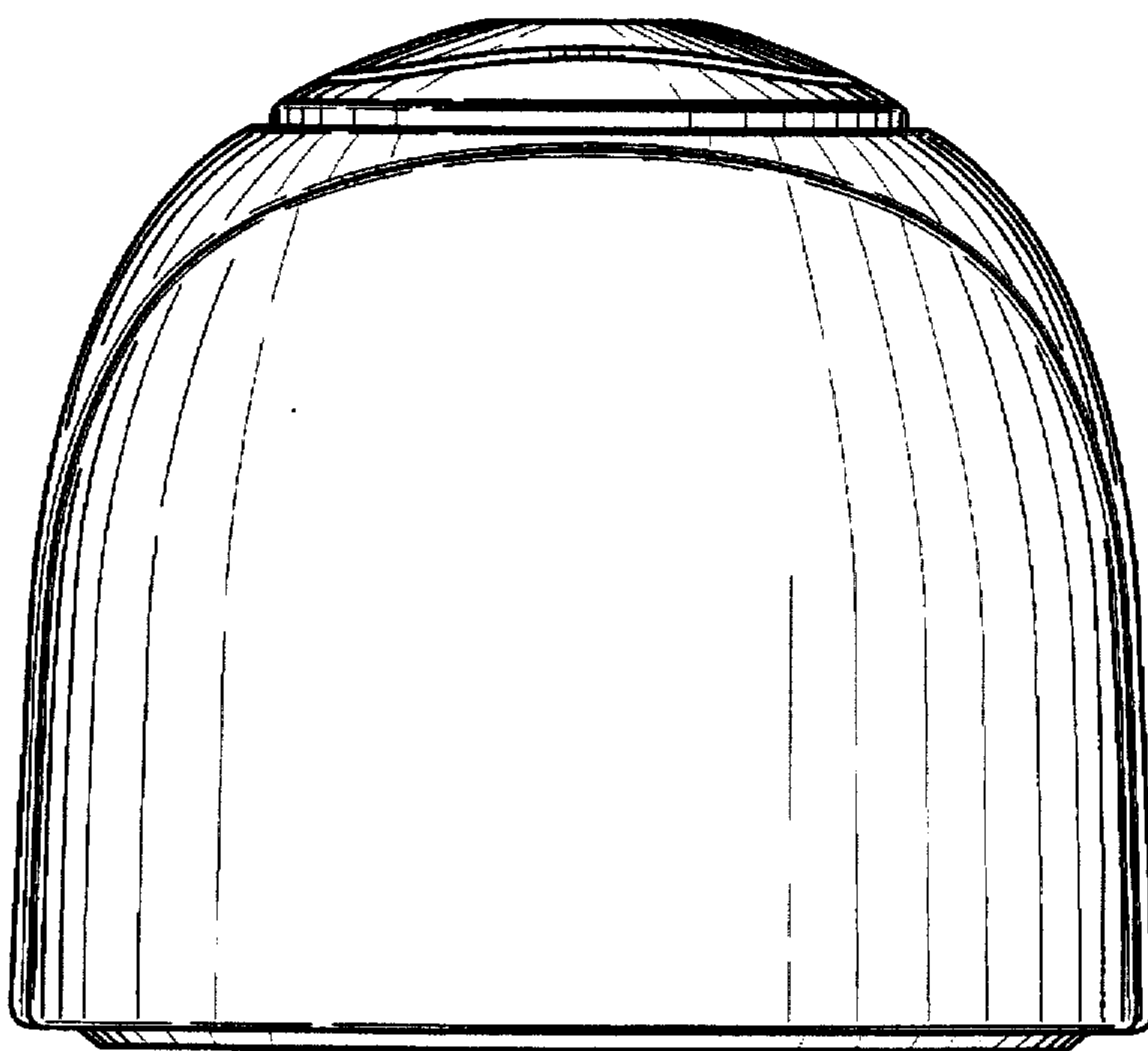


FIG. 7

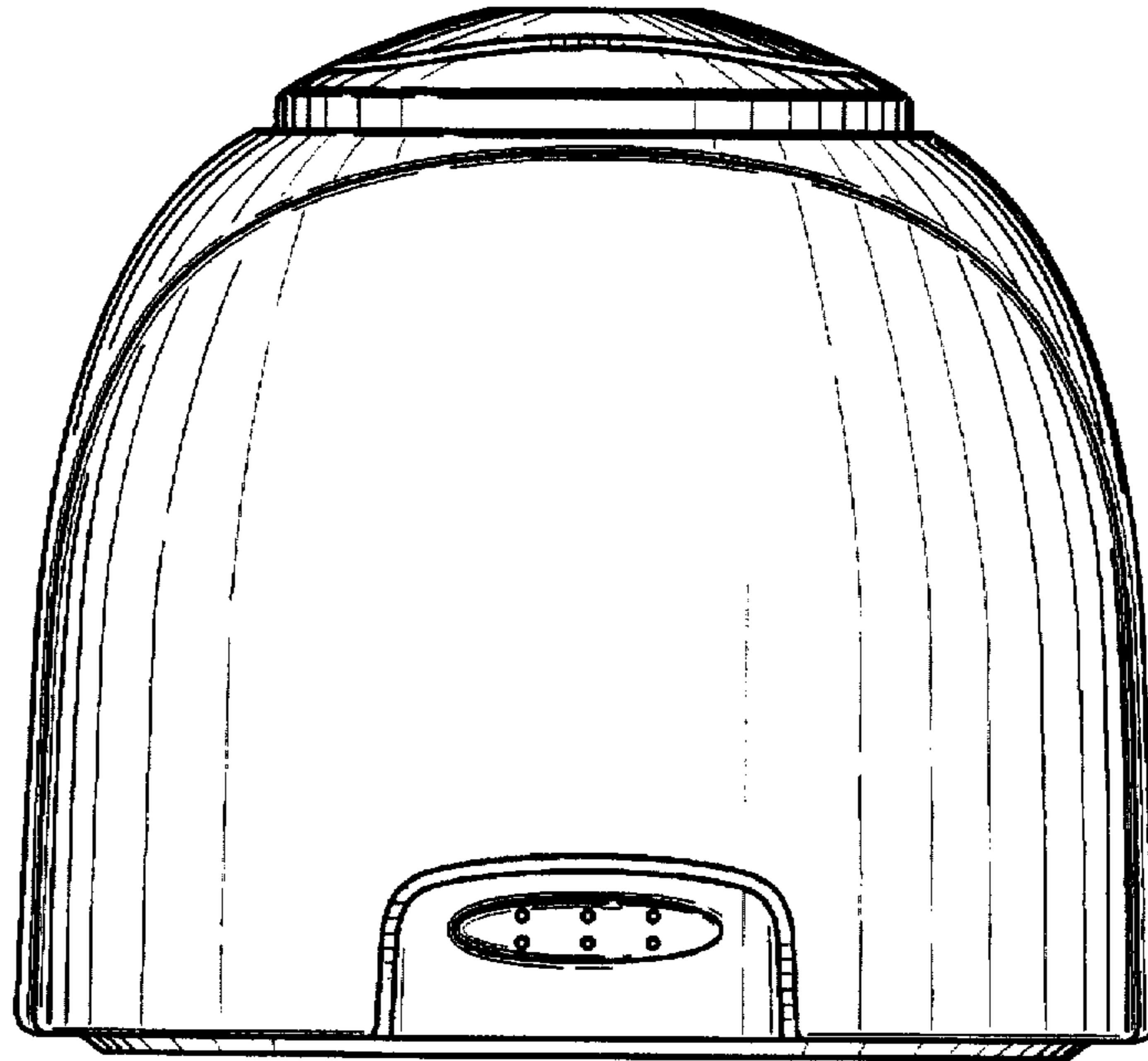


FIG. 8

