



US00D386560S

United States Patent [19]
Doane

[11] **Patent Number: Des. 386,560**
[45] **Date of Patent: **Nov. 18, 1997**

[54] **COMBINED TOILET SEAT HANDLE AND HOLDER THEREFOR**

5,461,733 10/1995 McKee 4/246.1

[76] **Inventor: Dennis W. Doane, 103 Vista View Cir., Covington, Ky. 41017**

Primary Examiner—Stella Reid
Assistant Examiner—Eric Watterson
Attorney, Agent, or Firm—David L. Volk

[**] **Term: 14 Years**

[57] **CLAIM**

[21] **Appl. No.: 60,786**

The ornamental design for a combined toilet seat handle and holder therefor, as shown and described.

[22] **Filed: Oct. 7, 1996**

DESCRIPTION

[51] **LOC (6) Cl. 23-02**

[52] **U.S. Cl. D23/311; D23/303**

[58] **Field of Search D23/303, 309; D8/307; D34/28; 4/234, 237, 236, 240, 241, 246.1, 661, 235, 253**

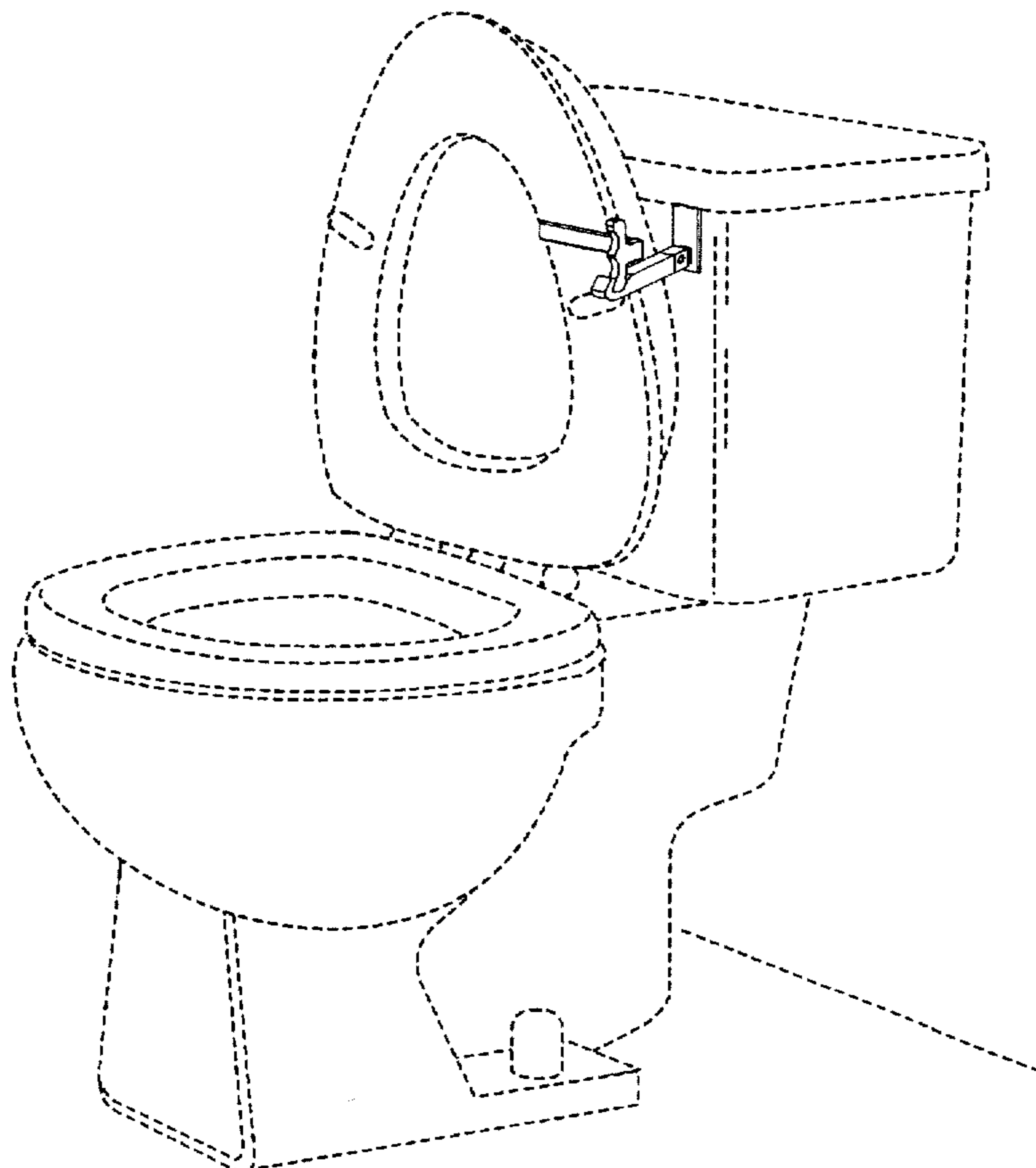
FIG. 1 is a perspective view of a combined toilet seat handle and holder therefor showing my new design; FIG. 2 is a front elevational view thereof; FIG. 3 is a right side elevational view thereof; FIG. 4 is a left side elevational view thereof; FIG. 5 is a rear elevational view thereof; FIG. 6 is a top plan view thereof; FIG. 7 is a bottom plan view thereof; FIG. 8 is a perspective view of a combined toilet seat handle and holder therefor in use with a toilet having a toilet seat in a down position; and, FIG. 9 is a perspective view of a combined toilet seat handle and holder therefor in use with a toilet having a toilet seat in an up position. The broken line showing is for illustrative purposes only and forms no part of the claimed design.

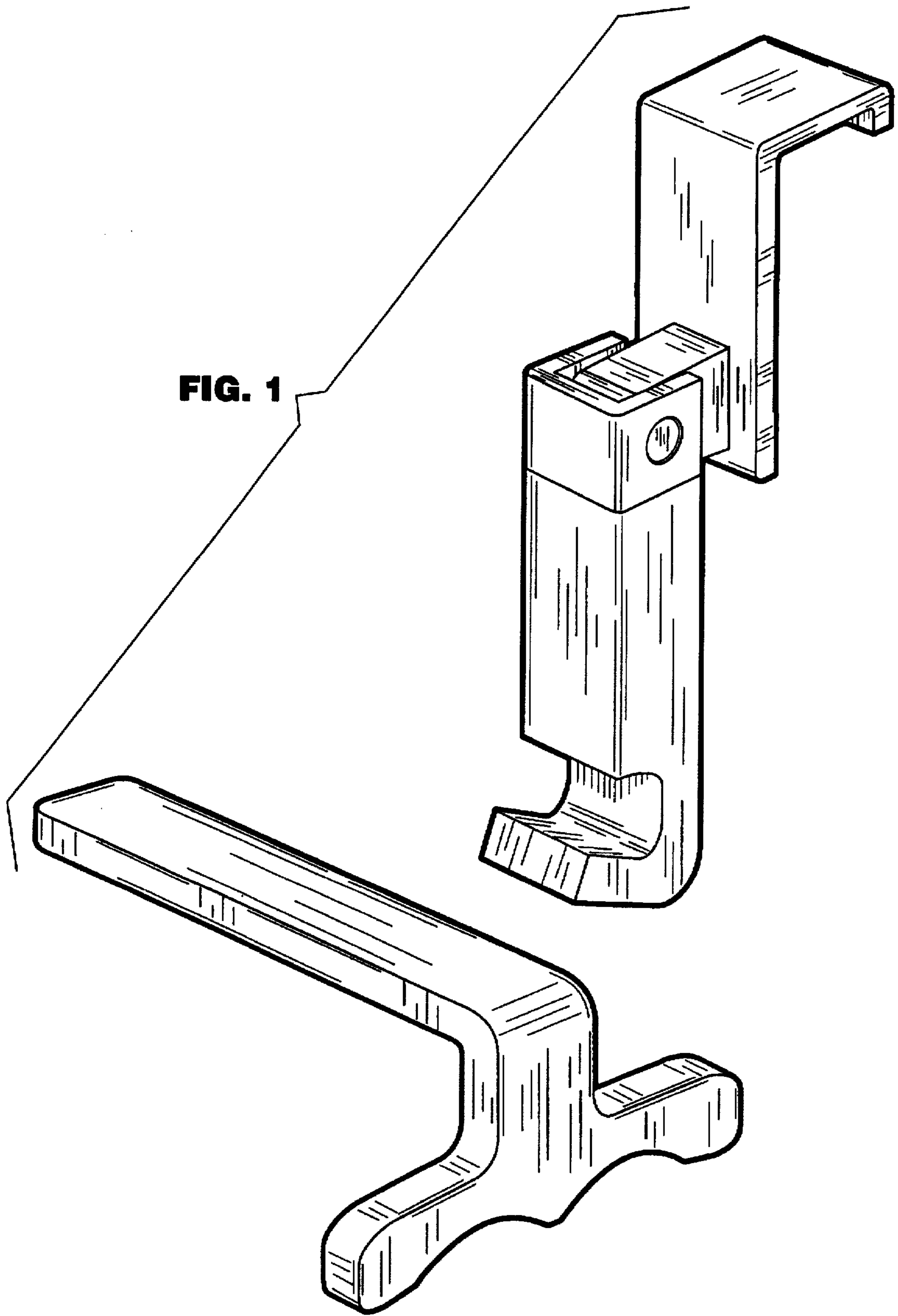
[56] **References Cited**

U.S. PATENT DOCUMENTS

D. 273,128	3/1984	Noddick	D23/71
D. 314,322	2/1991	Burghoff	D8/307
D. 352,883	11/1994	Elbaz	D28/307
D. 363,976	11/1995	Vinol	D23/303 X
D. 370,722	6/1996	Lice, III	D23/309
D. 372,964	8/1996	Gryner	D23/309
D. 372,965	8/1996	Villeneuve	D23/311
4,638,515	1/1987	Caputo et al.	4/661
4,875,251	10/1989	Hazard	16/111 R
5,341,519	8/1994	Cusenza	4/246.1

1 Claim, 9 Drawing Sheets





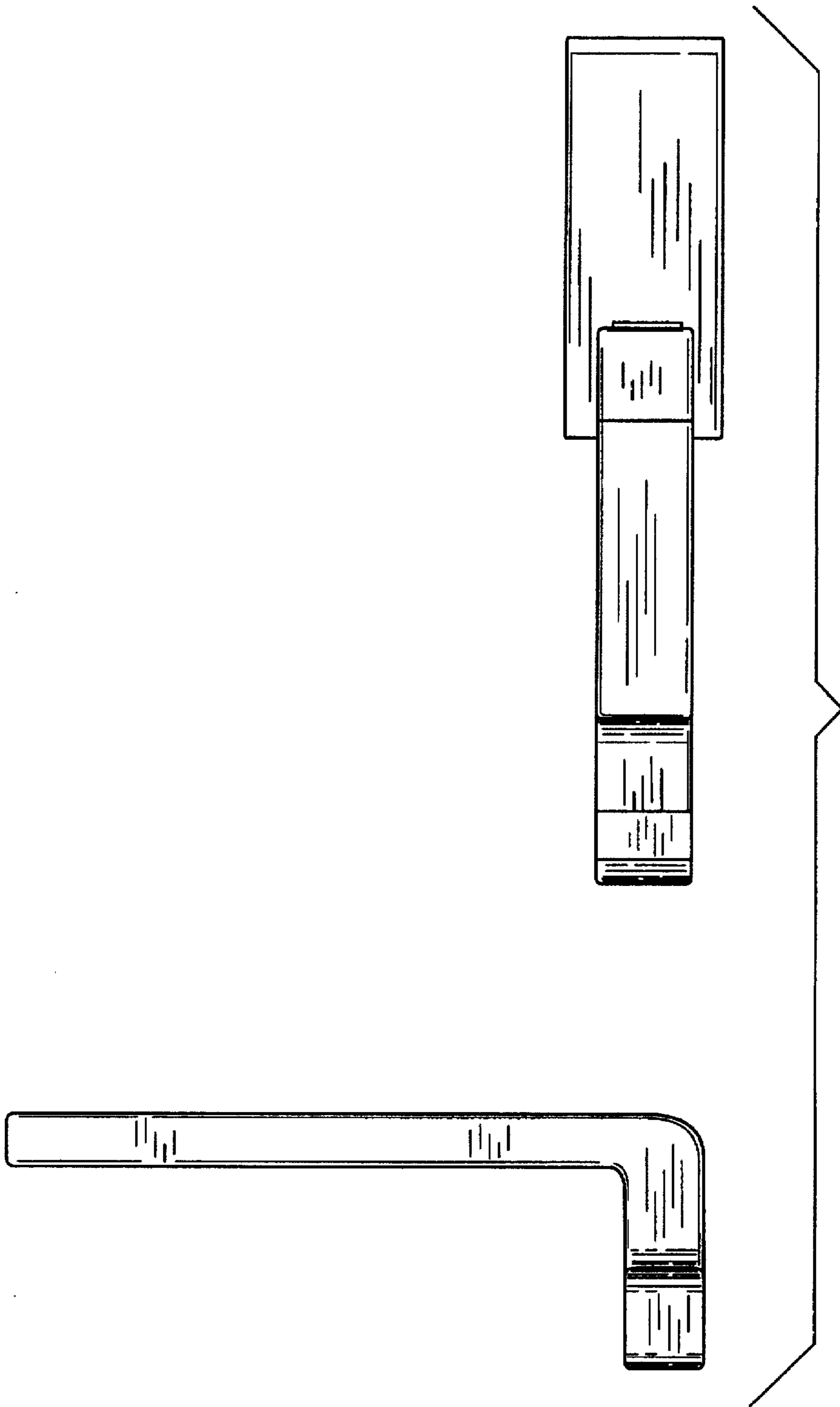


FIG. 2

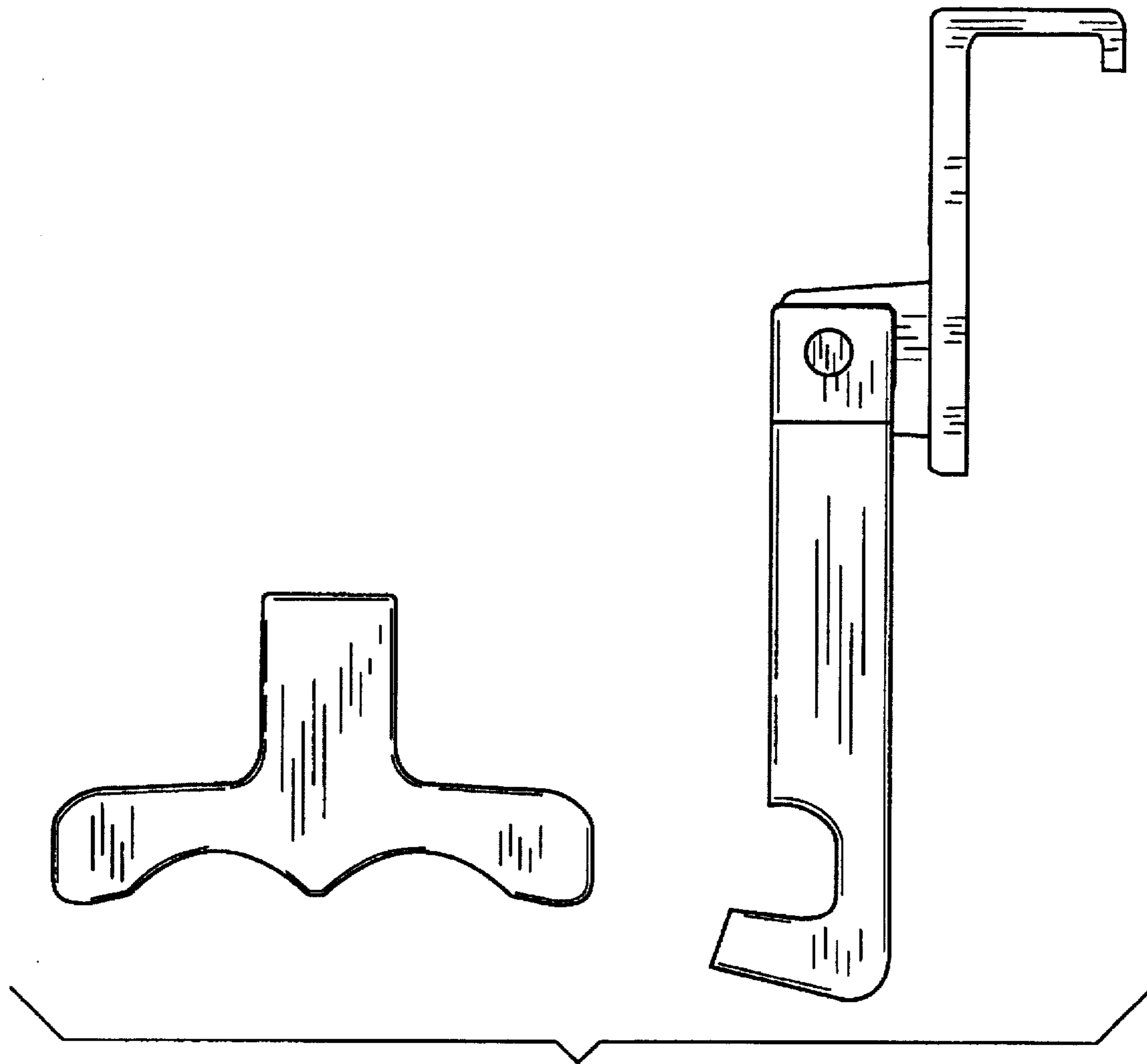


FIG. 3

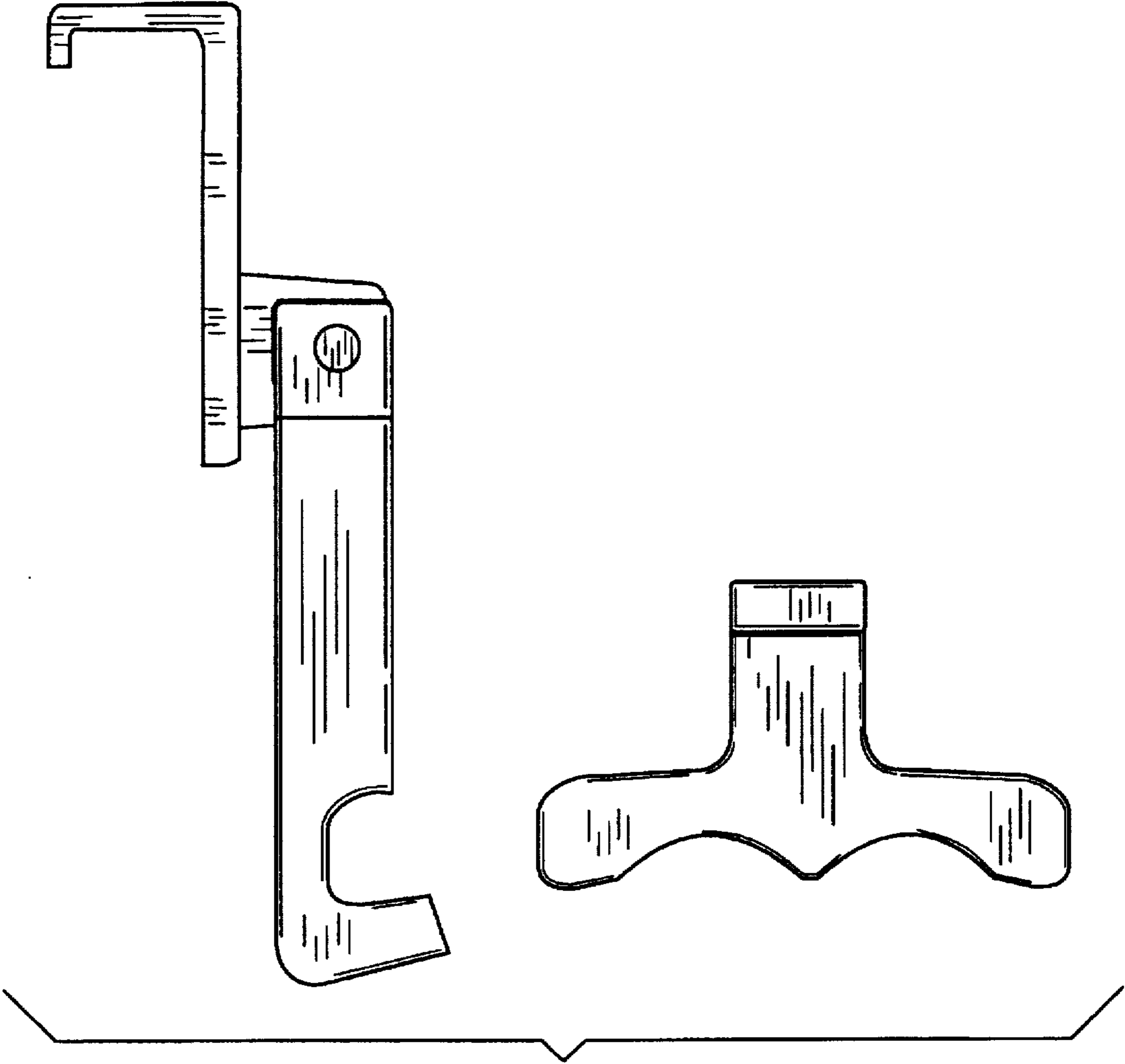


FIG. 4

FIG. 5

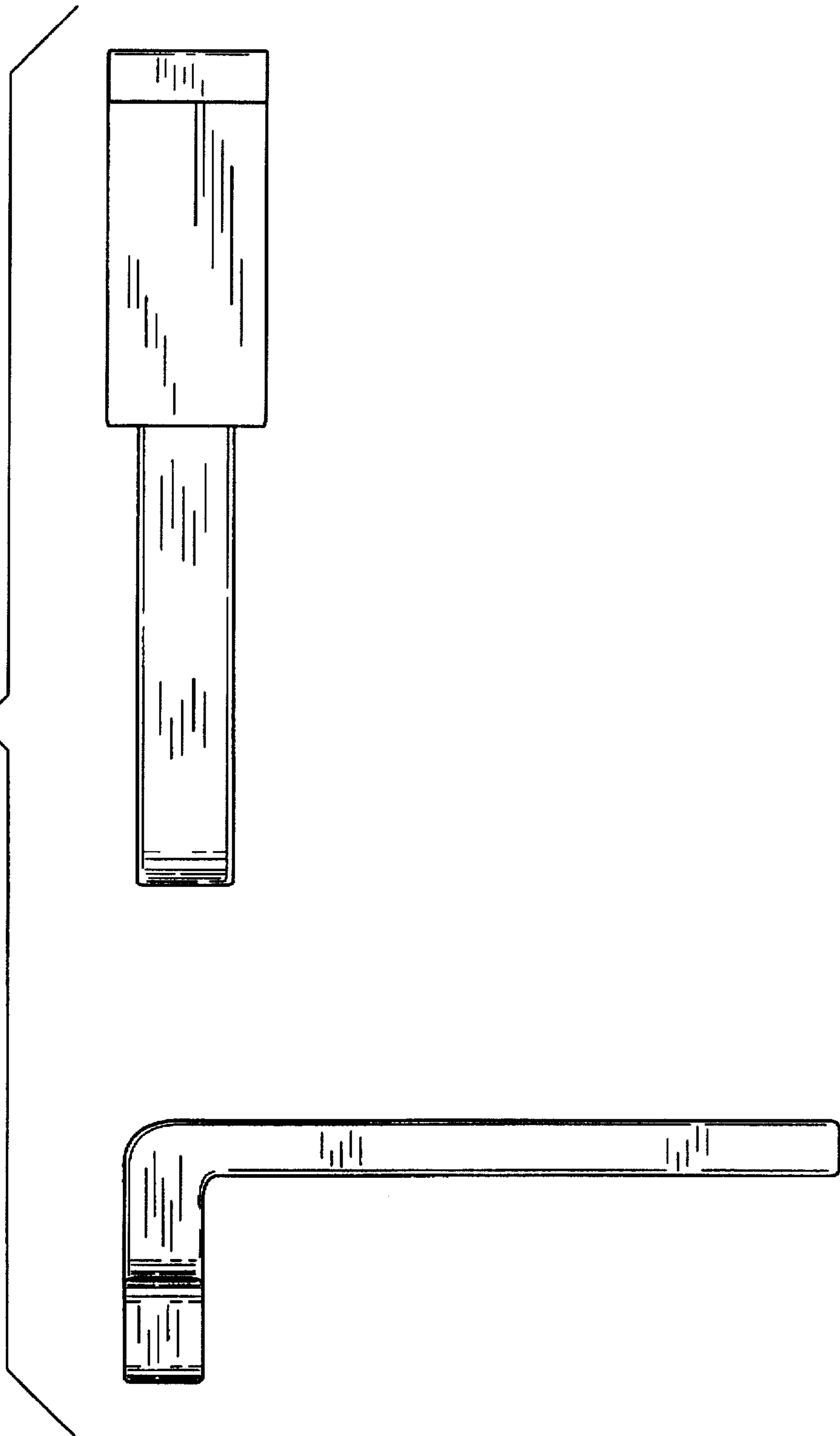


FIG. 6

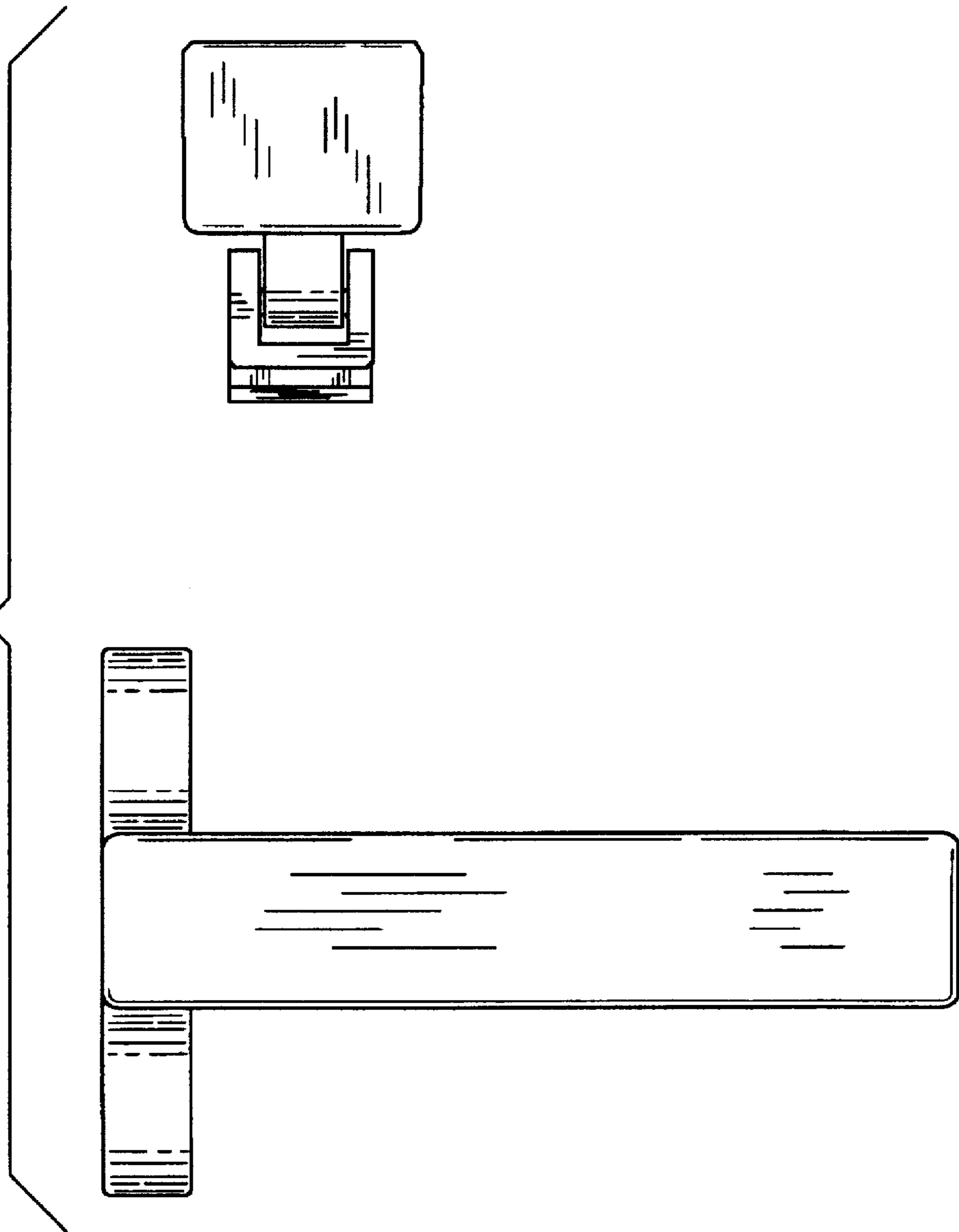
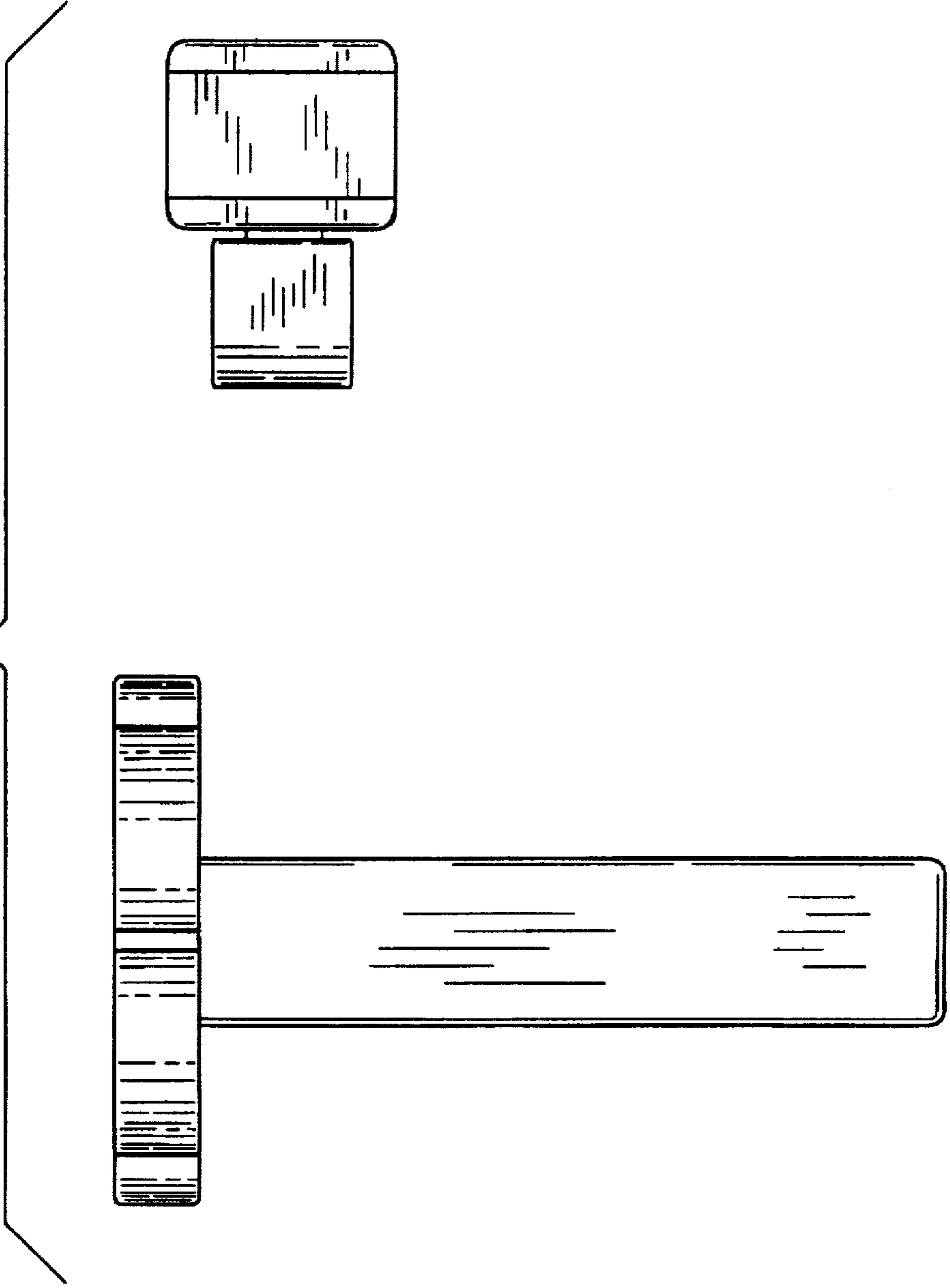


FIG. 7



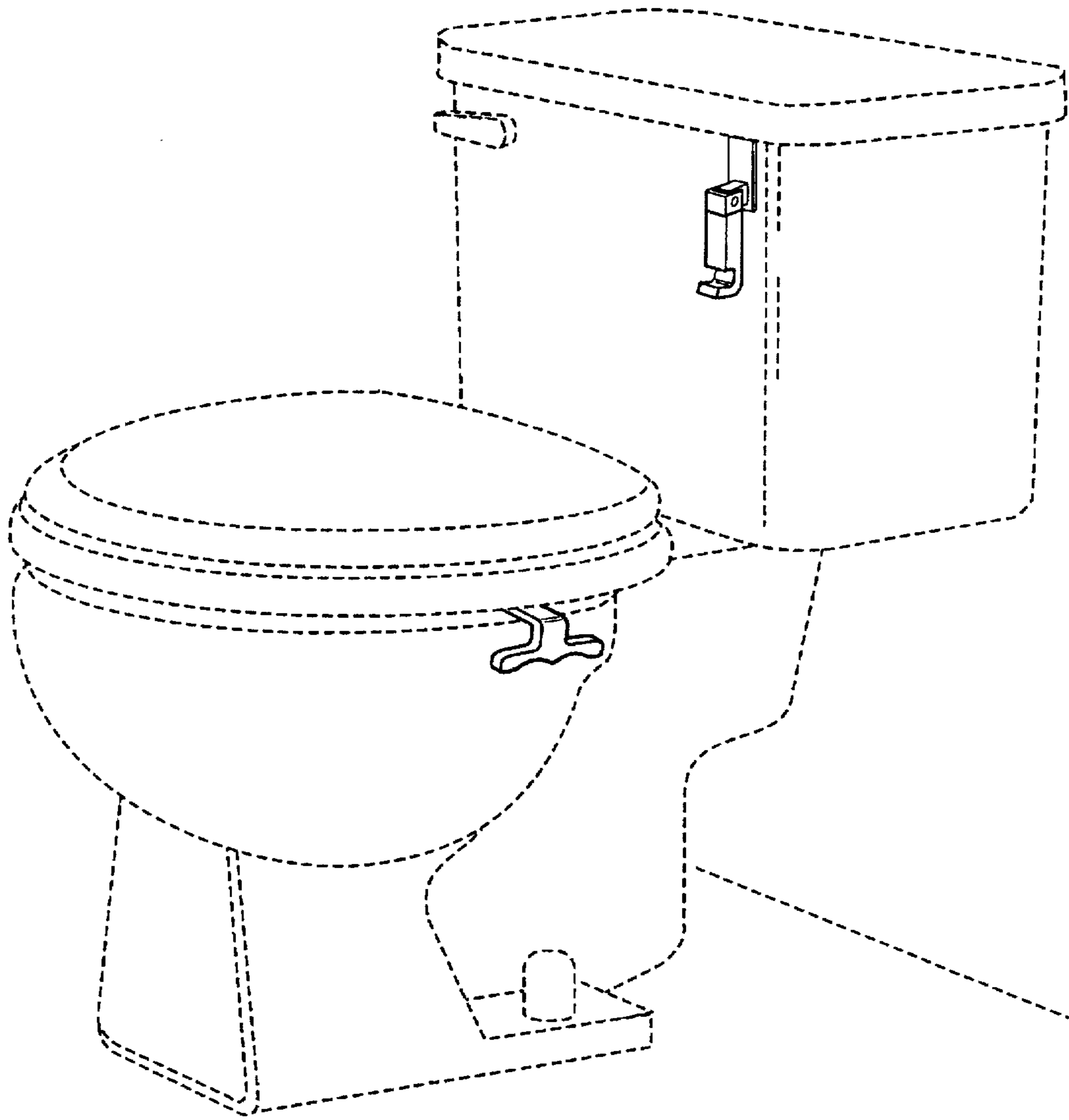


FIG. 8

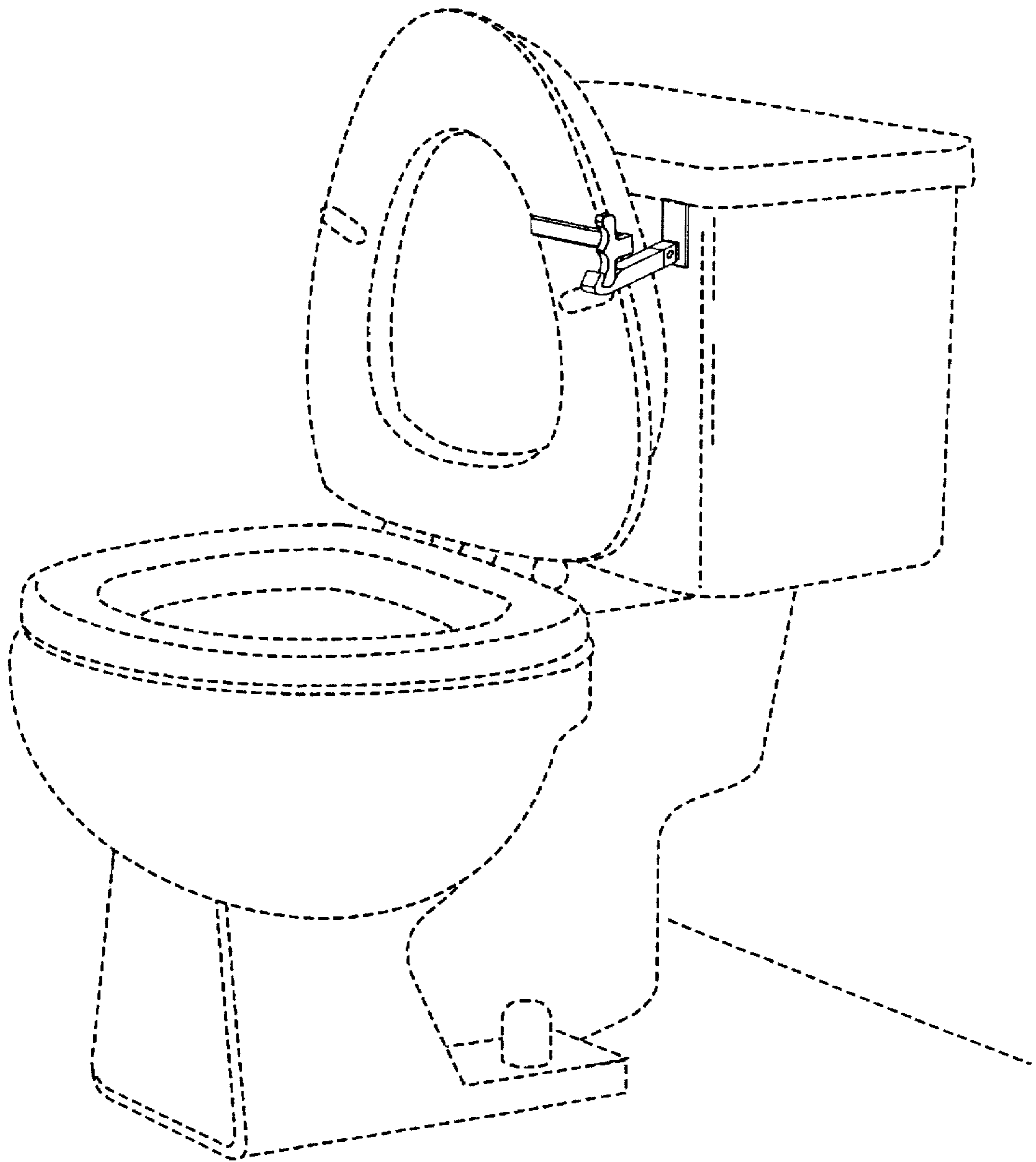


FIG. 9