

US00D386558S

United States Patent [19]
Rietkerk

[11] **Patent Number: Des. 386,558**
[45] **Date of Patent: **Nov. 18, 1997**

[54] **HAND PUMP FOR AN INFLATABLE STRUCTURE**

[75] Inventor: **Bart W. Rietkerk**, Hadley, Mass.
[73] Assignee: **Dielectrics Industries**, Chicopee, Mass.
[**] Term: **14 Years**

[21] Appl. No.: **55,548**
[22] Filed: **Jun. 7, 1996**

[51] **LOC (6) Cl.** **15-02**
[52] **U.S. Cl.** **D23/231; D2/946**
[58] **Field of Search** **D23/231.2; D15/7;**
D2/946; 417/479, 480, 437, DIG. 1; 36/114

[56] **References Cited**

U.S. PATENT DOCUMENTS

D. 340,346	10/1993	Phillips	D23/231
D. 341,189	11/1993	Legassie et al.	D2/946
D. 347,263	5/1994	Phillips	D23/231
3,133,696	5/1964	Mirando	.	
3,486,663	12/1969	Humphrey	222/207
4,646,781	3/1987	McIntyre et al.	137/251
4,824,340	4/1989	Bruggeman et al.	417/479
4,995,864	2/1991	Bartholomew	417/480
5,074,765	12/1991	Pekar	417/441
5,113,599	5/1992	Cohen et al.	36/36
5,144,708	9/1992	Pekar	5/137
5,372,487	12/1994	Pekar	417/137

FOREIGN PATENT DOCUMENTS

33 10 812A1	3/1983	Germany	.
36 00 437A1	9/1986	Germany	.

Primary Examiner—Alan P. Douglas
Assistant Examiner—Robin V. Taylor

Attorney, Agent, or Firm—McCormick, Paulding & Huber

[57] **CLAIM**

The ornamental design of a hand pump for an inflatable structure, as shown and described.

DESCRIPTION

FIG. 1 is a perspective view of a hand pump embodying the ornamental appearance of a hand pump for an inflatable structure according to my invention, and the inflatable structure is shown in phantom lines by way of background only and forms no part of the claimed invention;

FIG. 2 is a front elevational view thereof with the inflatable structure shown in phantom lines, the rear elevational view, right side view and left side view being identical to the front elevational view thereof;

FIG. 3 is a top plan view thereof with the inflatable structure broken away and shown in phantom lines;

FIG. 4 is a perspective view thereof and is similar to FIG. 1, but showing the pump in a depressed condition;

FIG. 5 is a front elevational view thereof and is similar to FIG. 2, but showing the pump in a depressed condition, the rear elevational view, right side view and left side view being identical to this front elevational view thereof;

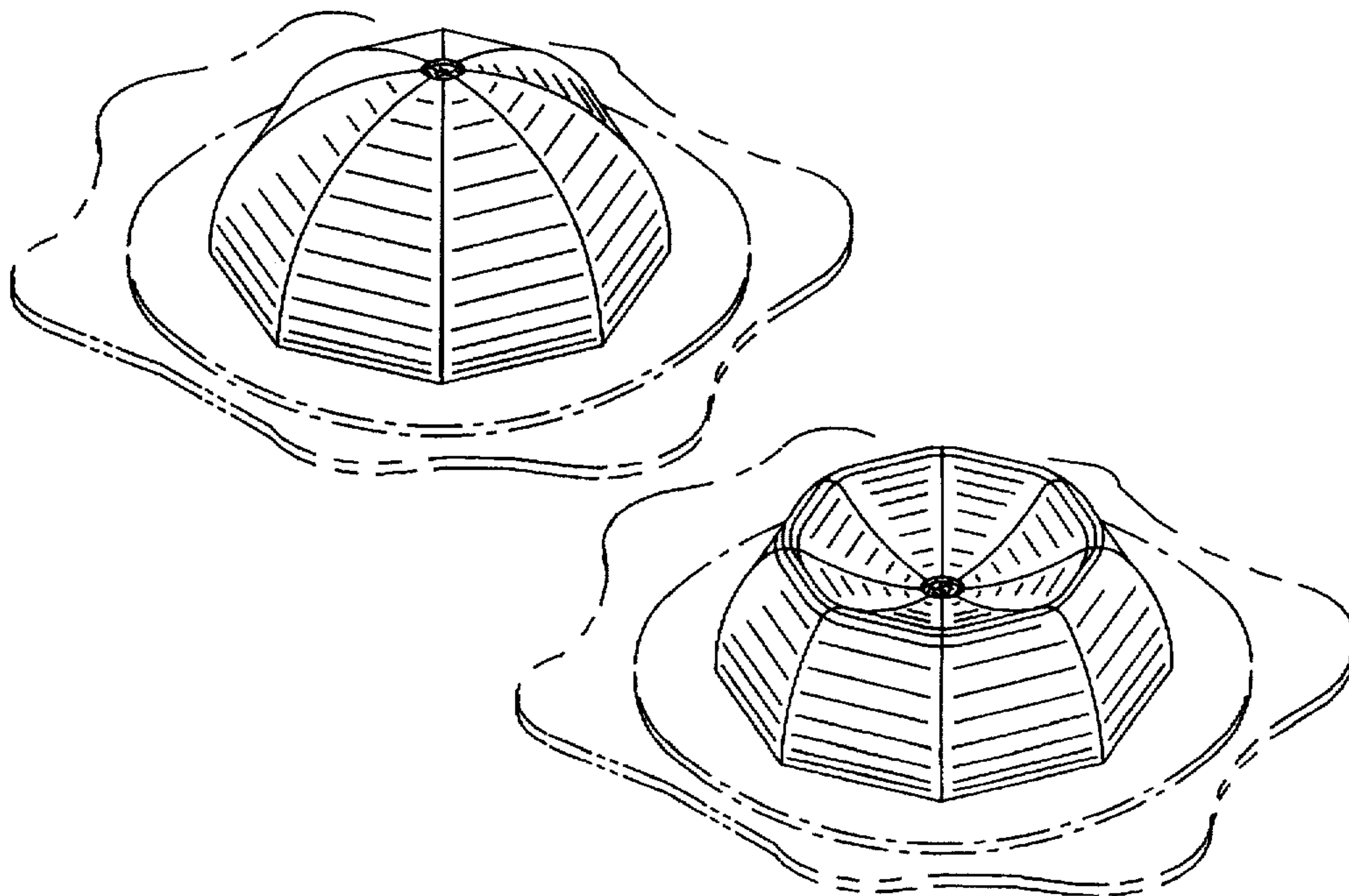
FIG. 6 is a top plan view thereof and is similar to FIG. 3, but shows the pump in a depressed condition; and,

FIG. 7 is a sectional view thereof taken along line 7—7 of FIG. 6.

The phantom line disclosure of the inflatable structure and the bottom and flange portions of the hand pump shown in phantom lines in FIGS. 1—7 are for illustrative purposes only and form no part of the claimed invention.

No bottom view is presented, as such forms no part of the claimed invention.

1 Claim, 1 Drawing Sheet



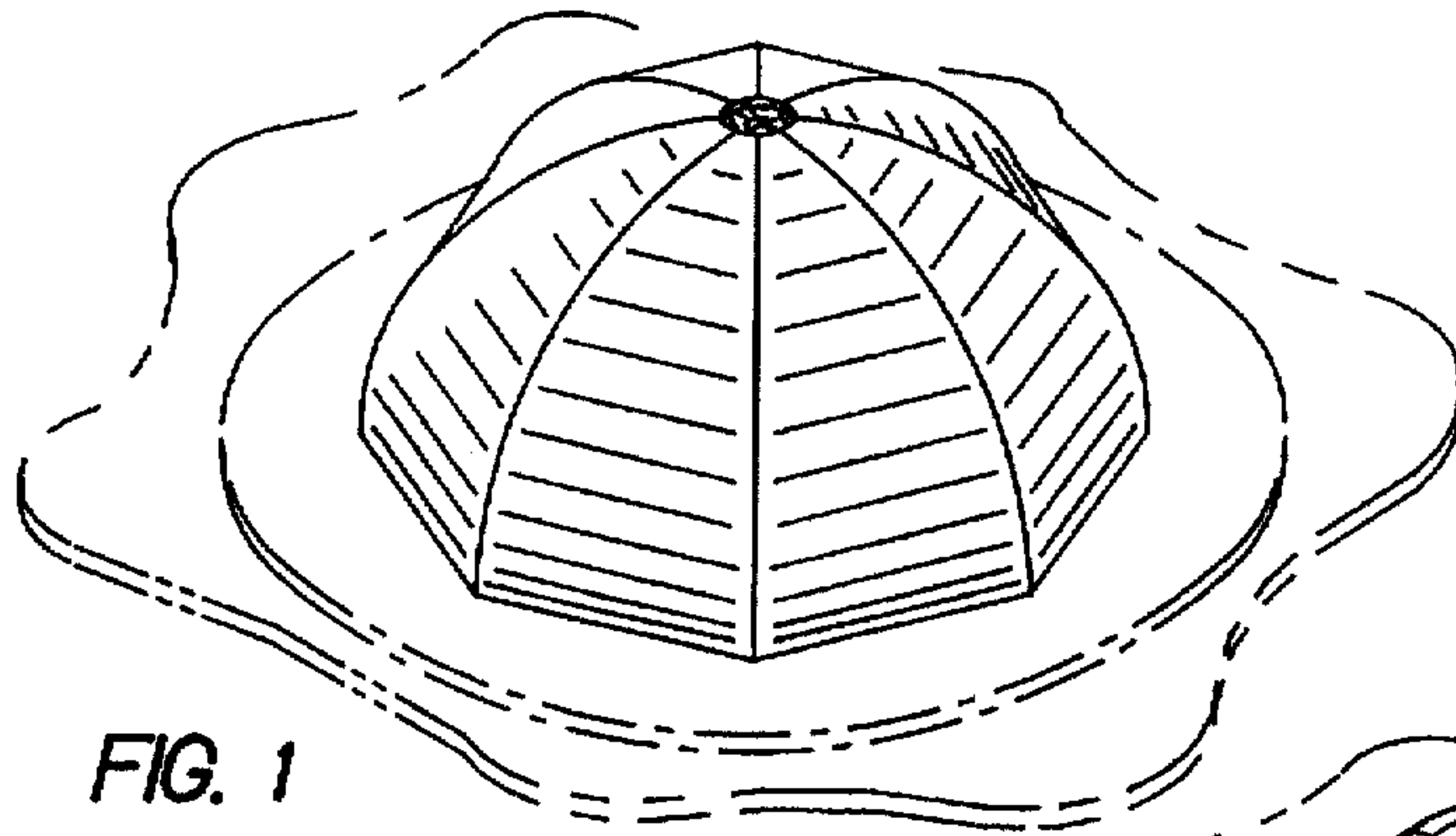


FIG. 1

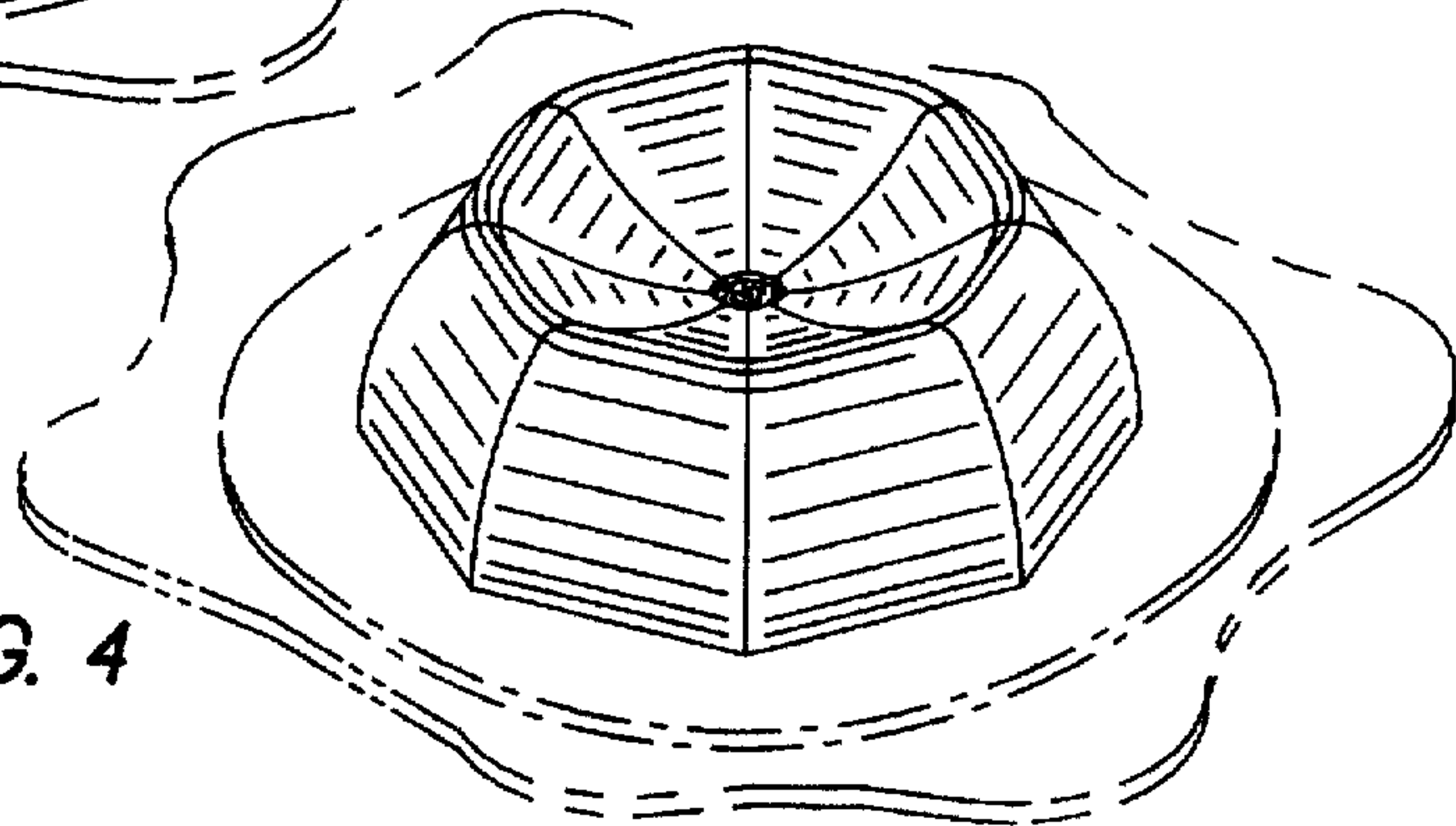


FIG. 4

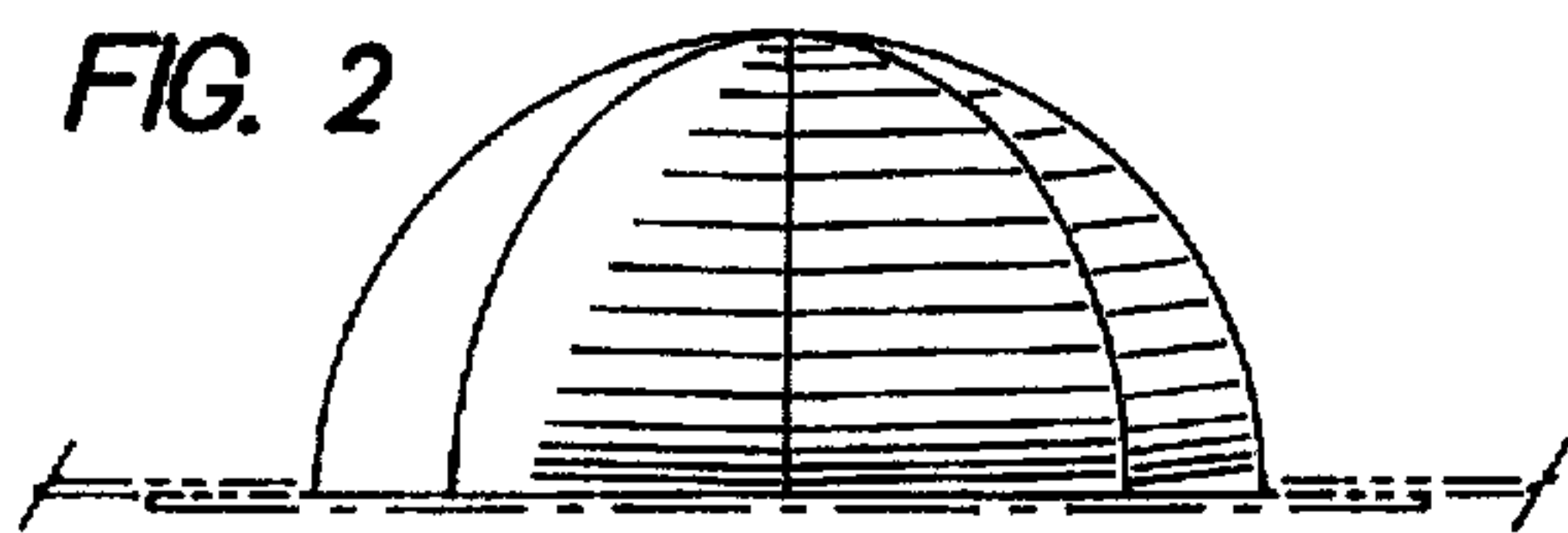


FIG. 2

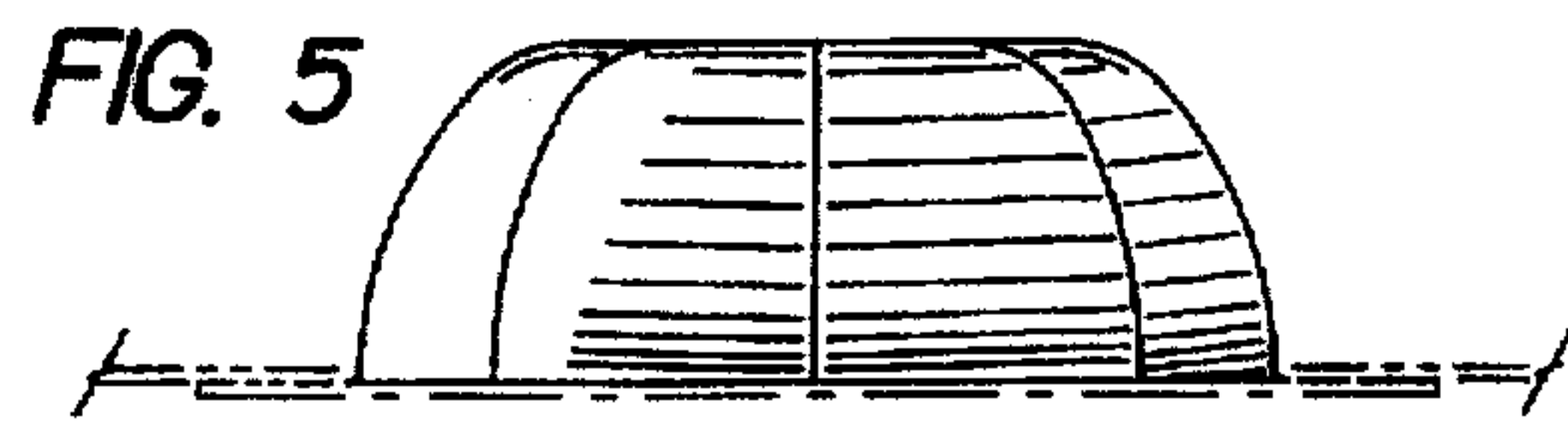


FIG. 5

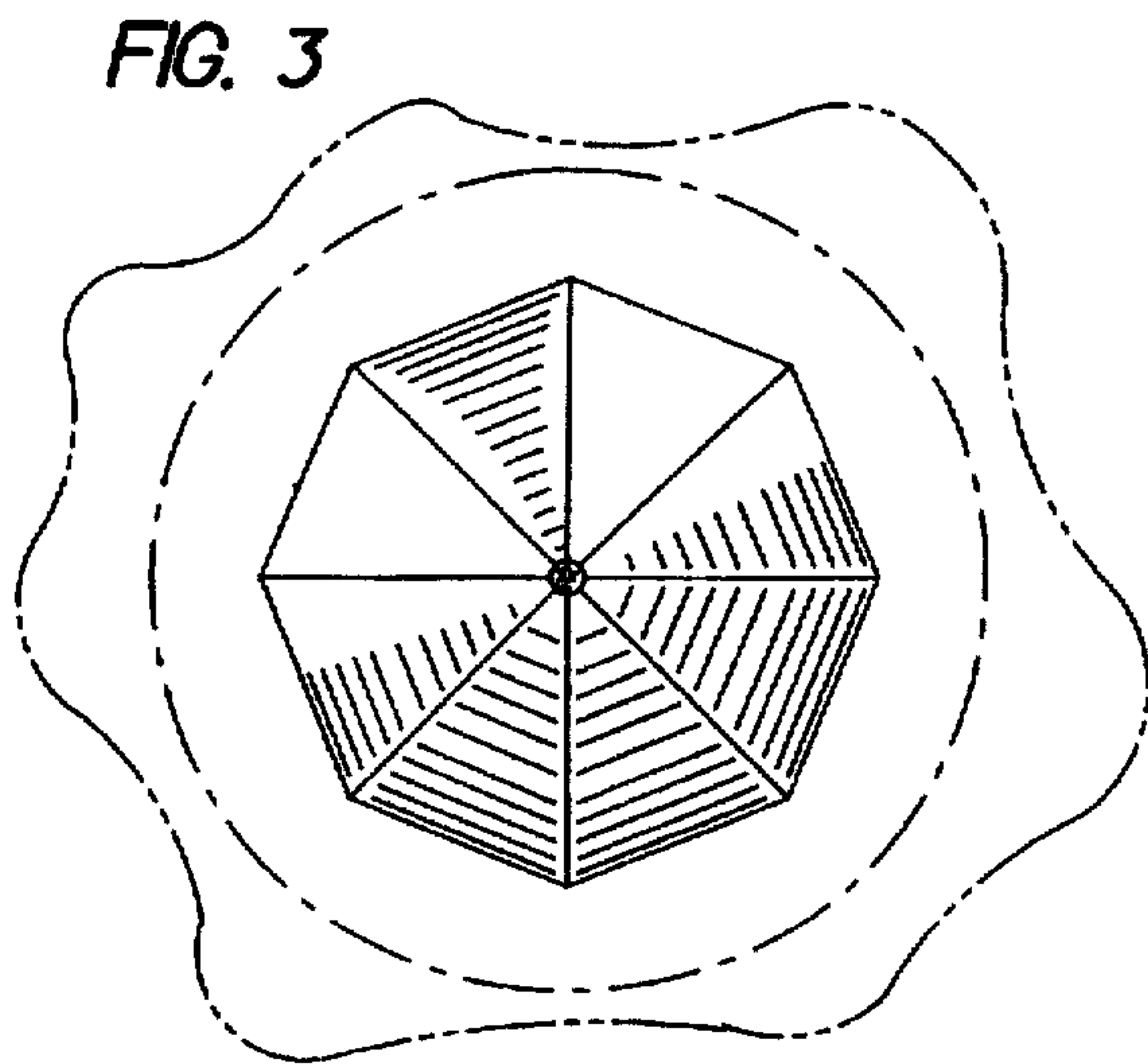


FIG. 3

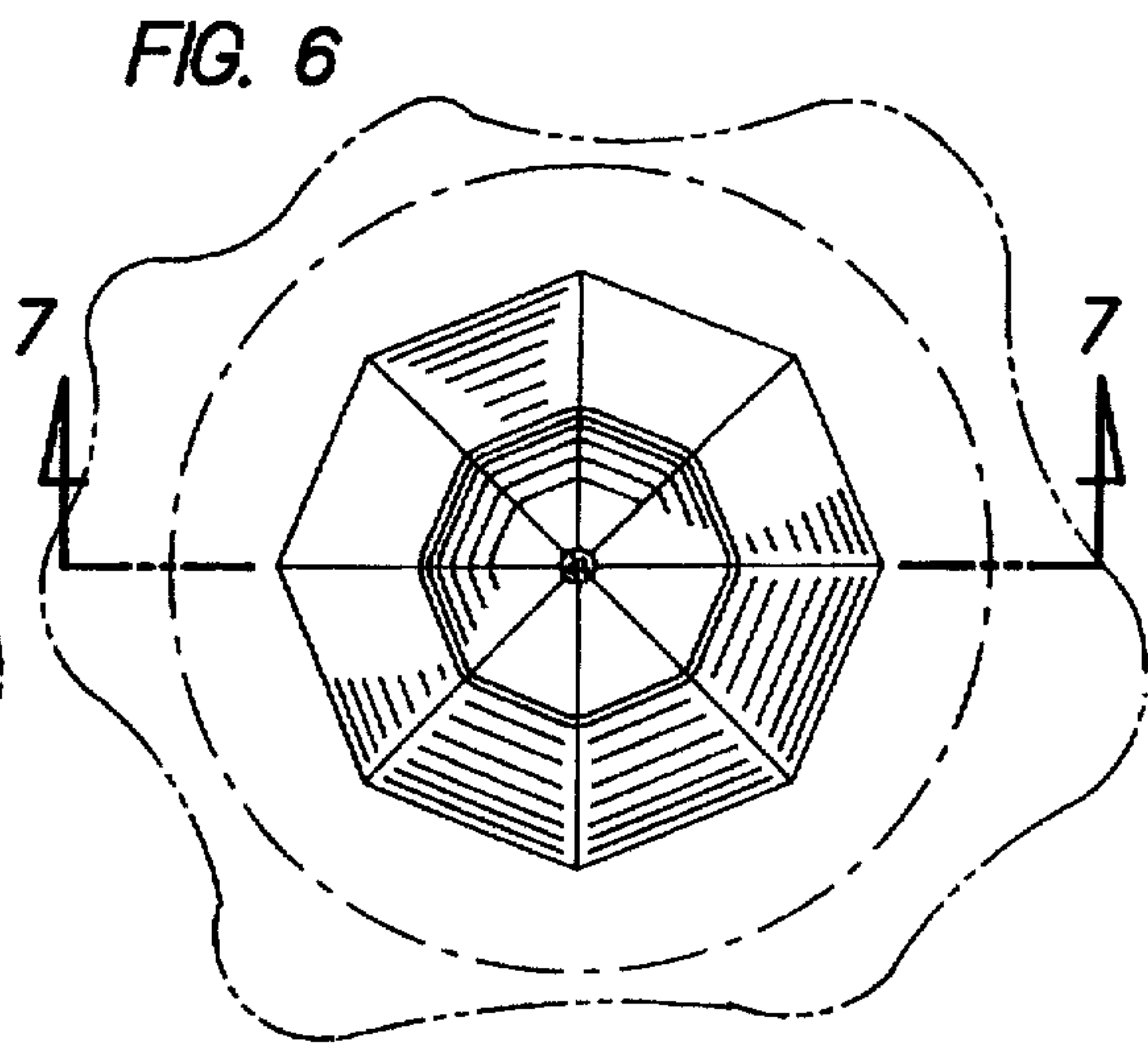


FIG. 6

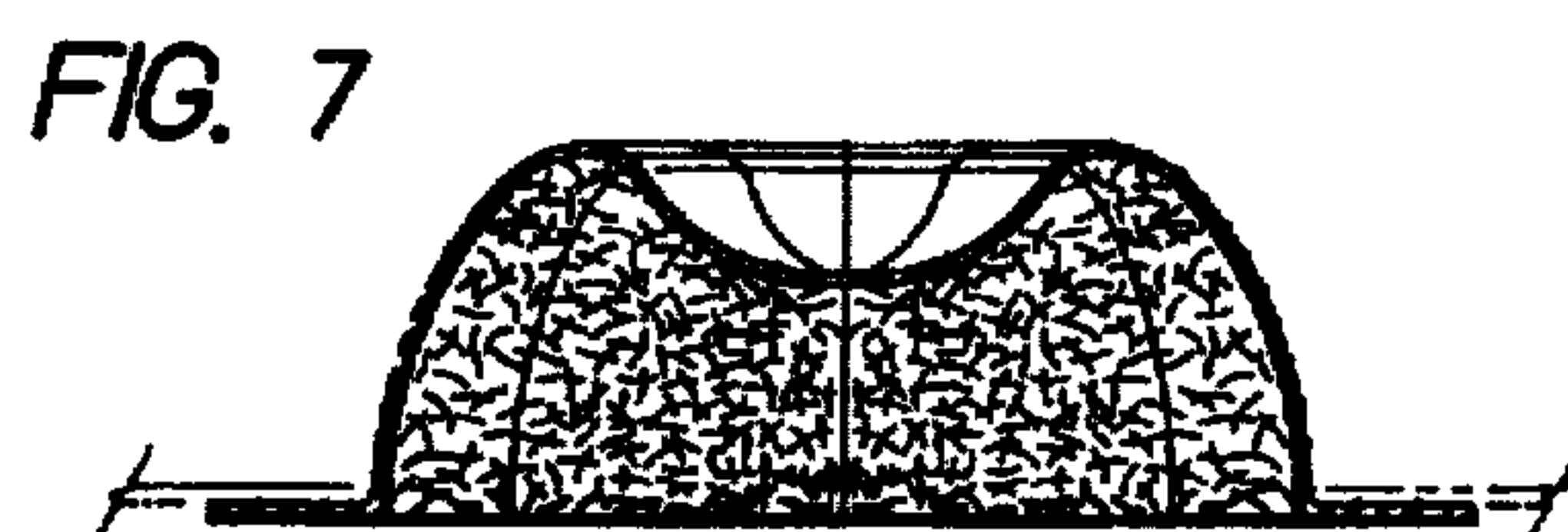


FIG. 7