



US00D386554S

United States Patent [19]
Brewer

[11] **Patent Number: Des. 386,554**
[45] **Date of Patent: **Nov. 18, 1997**

[54] **MOUSE TRAP**
[75] **Inventor: Hugh A. Brewer, Cumming, Ga.**
[73] **Assignee: Enforcer Products, Inc., Cartersville, Ga.**
[**] **Term: 14 Years**
[21] **Appl. No.: 49,459**
[22] **Filed: Jan. 29, 1996**
[51] **LOC (6) Cl. 22-06**
[52] **U.S. Cl. D22/119**
[58] **Field of Search D22/119, 122;**
43/107, 114, 121, 131, 124, 132.1

D. 344,567 2/1994 Teeples D22/122
3,908,302 9/1975 Carr 43/107 X
5,446,992 9/1995 Stewart 43/131
5,572,825 11/1996 Gehret 43/114

Primary Examiner—Doris V. Coles
Attorney, Agent, or Firm—Kennedy, Davis & Kennedy

[57] **CLAIM**

The ornamental design for a mouse trap, as shown and described.

DESCRIPTION

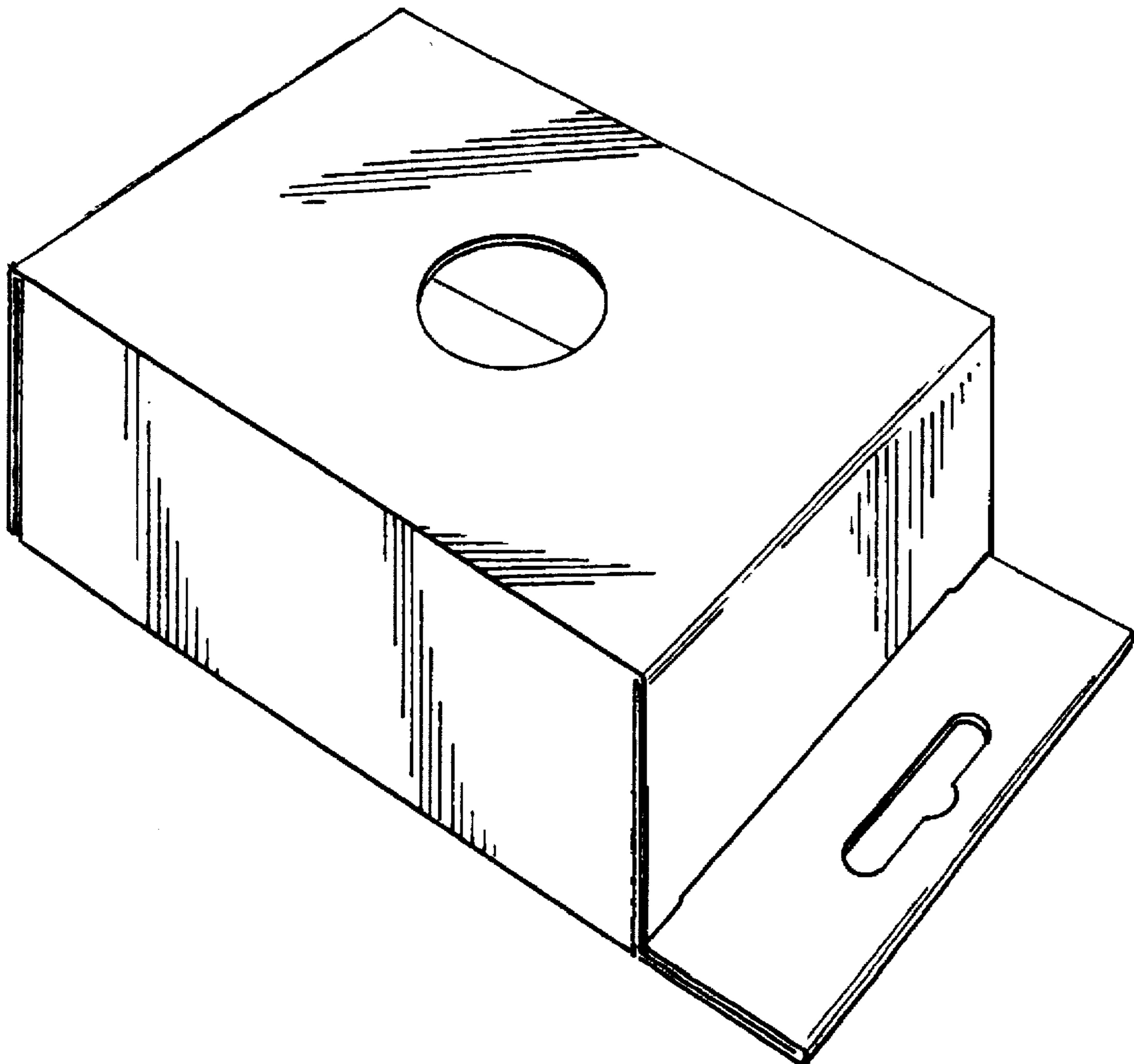
FIG. 1 is a perspective view of the mouse trap;
FIG. 2 is a left side view thereof;
FIG. 3 is a right side view thereof;
FIG. 4 is a top view thereof;
FIG. 5 is a bottom view thereof;
FIG. 6 is an end view thereof; and,
FIG. 7 is an end view thereof opposite the end shown in FIG. 6.

[56] **References Cited**

U.S. PATENT DOCUMENTS

D. 273,605 4/1984 Williams D22/119
D. 306,475 3/1990 Bowler D22/119
D. 308,564 6/1990 Wefler D22/122

1 Claim, 2 Drawing Sheets



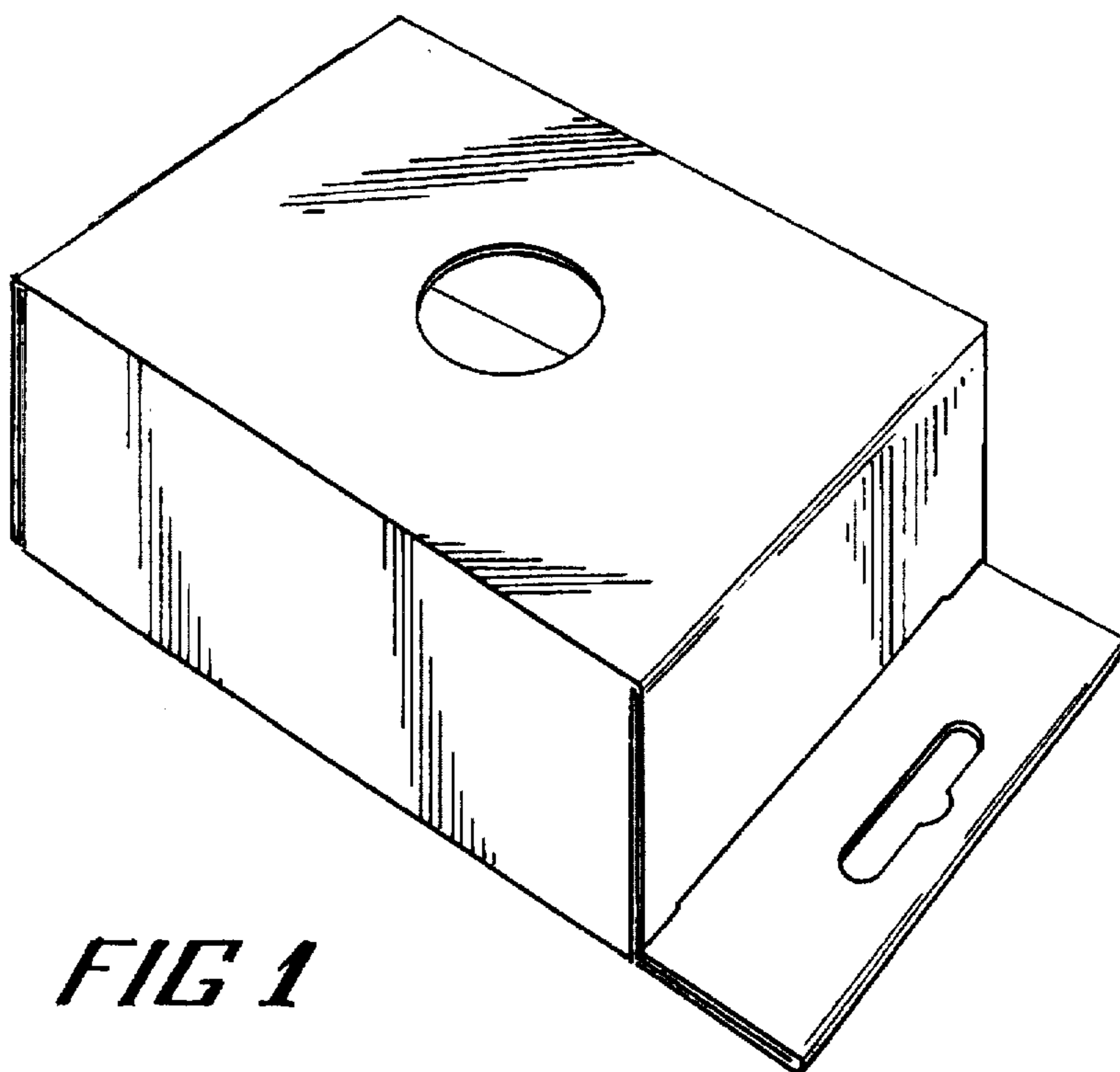


FIG 1

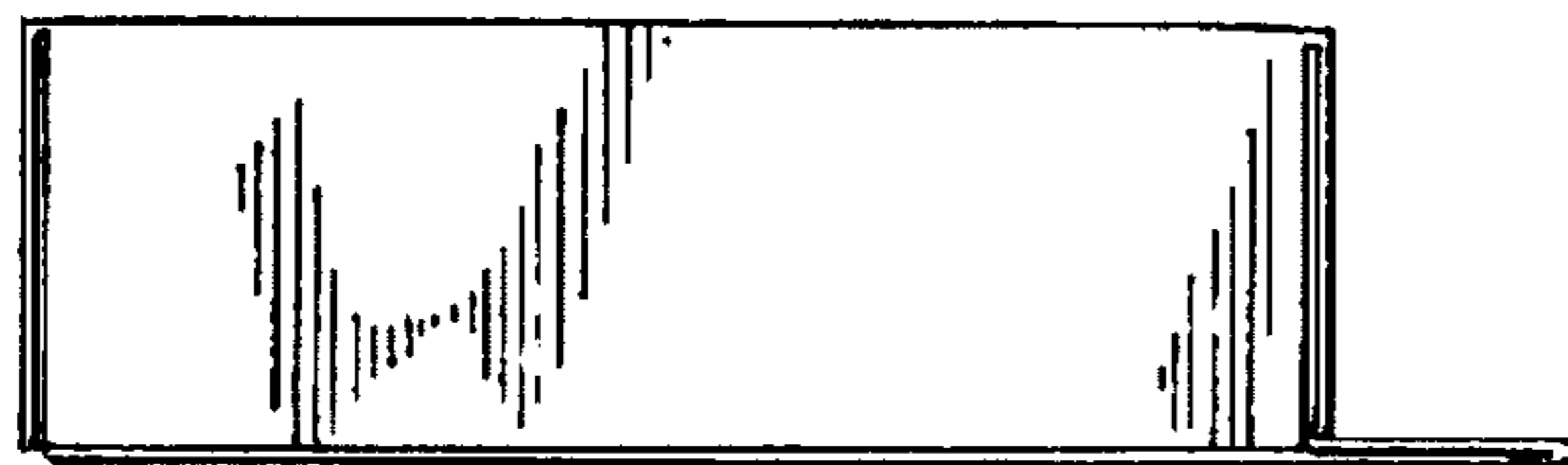


FIG 2

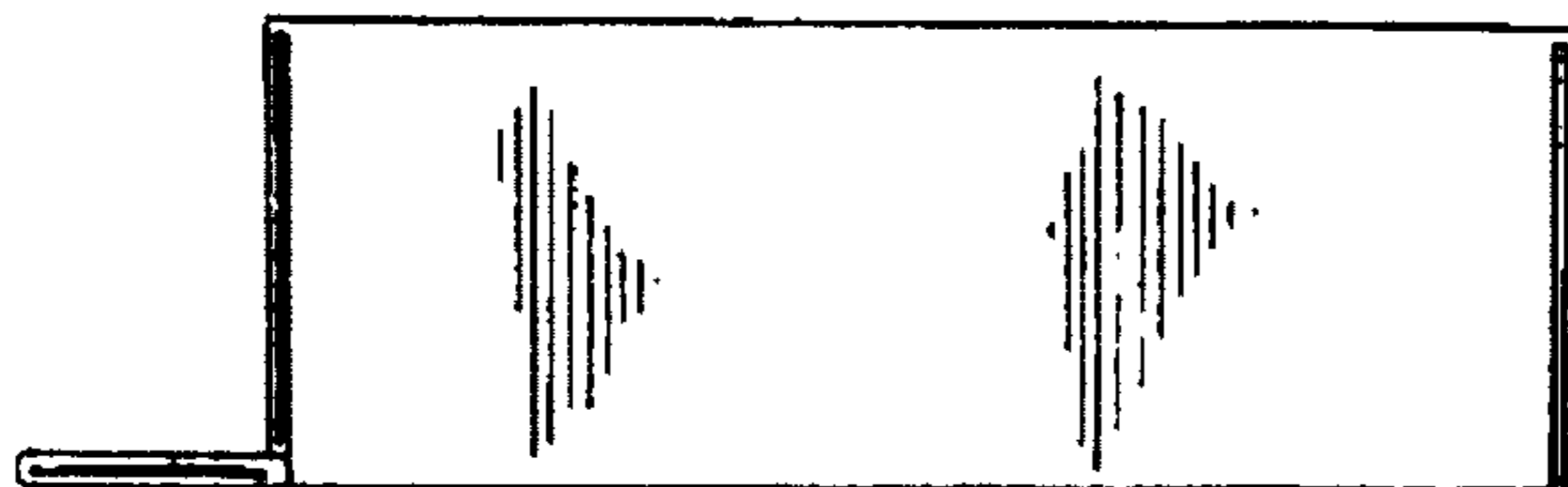


FIG 3

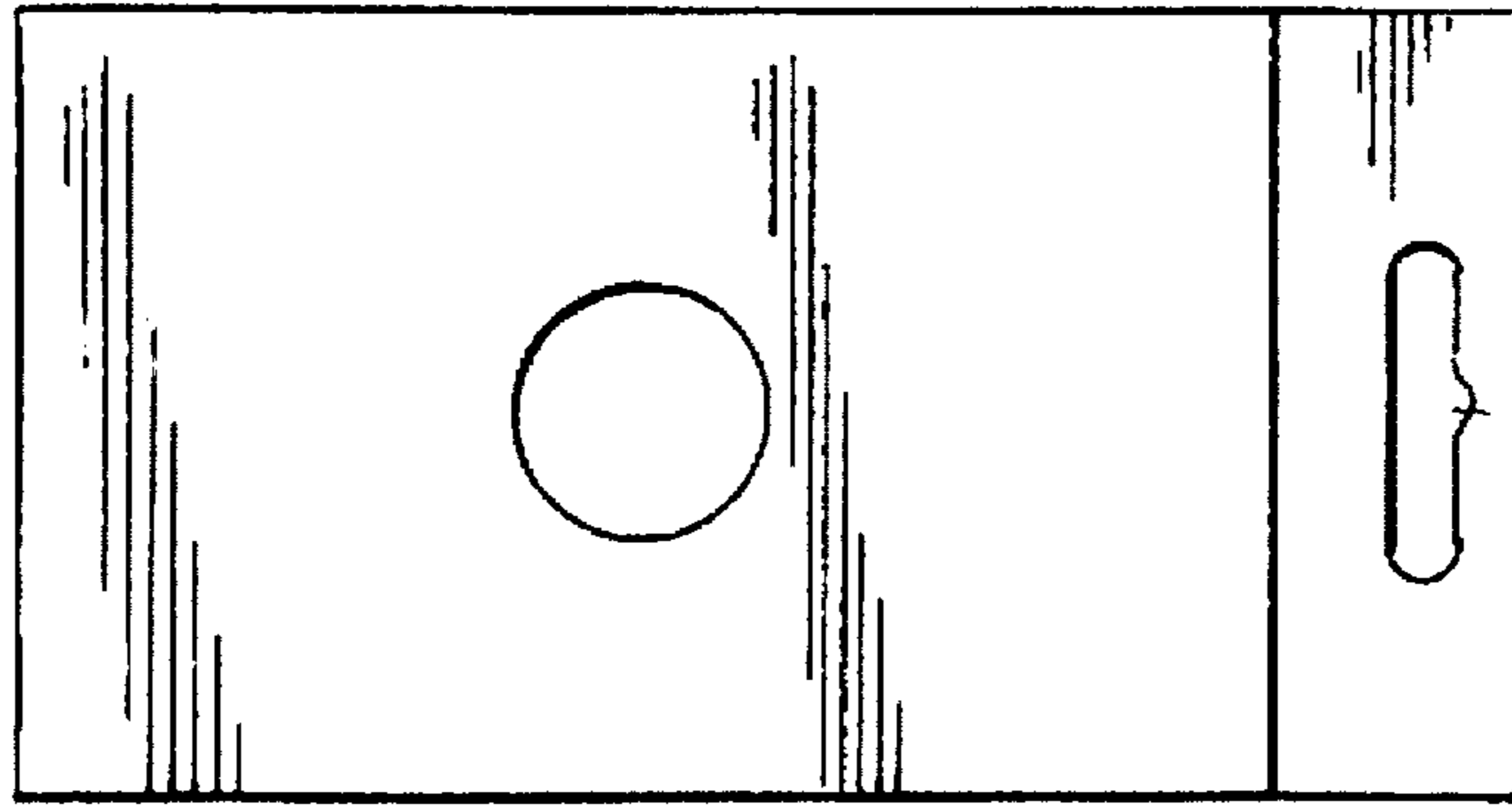


FIG 4

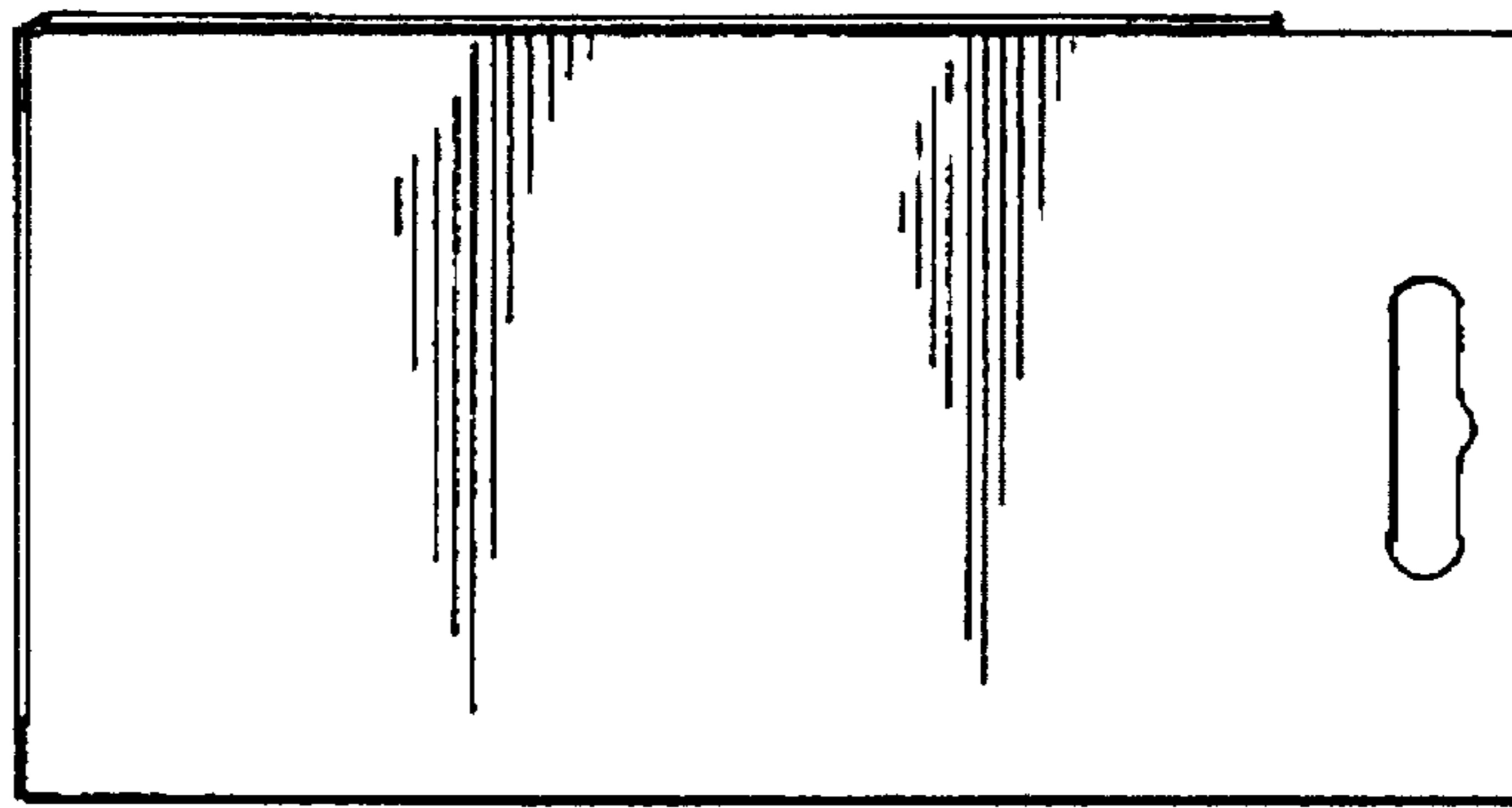


FIG 5

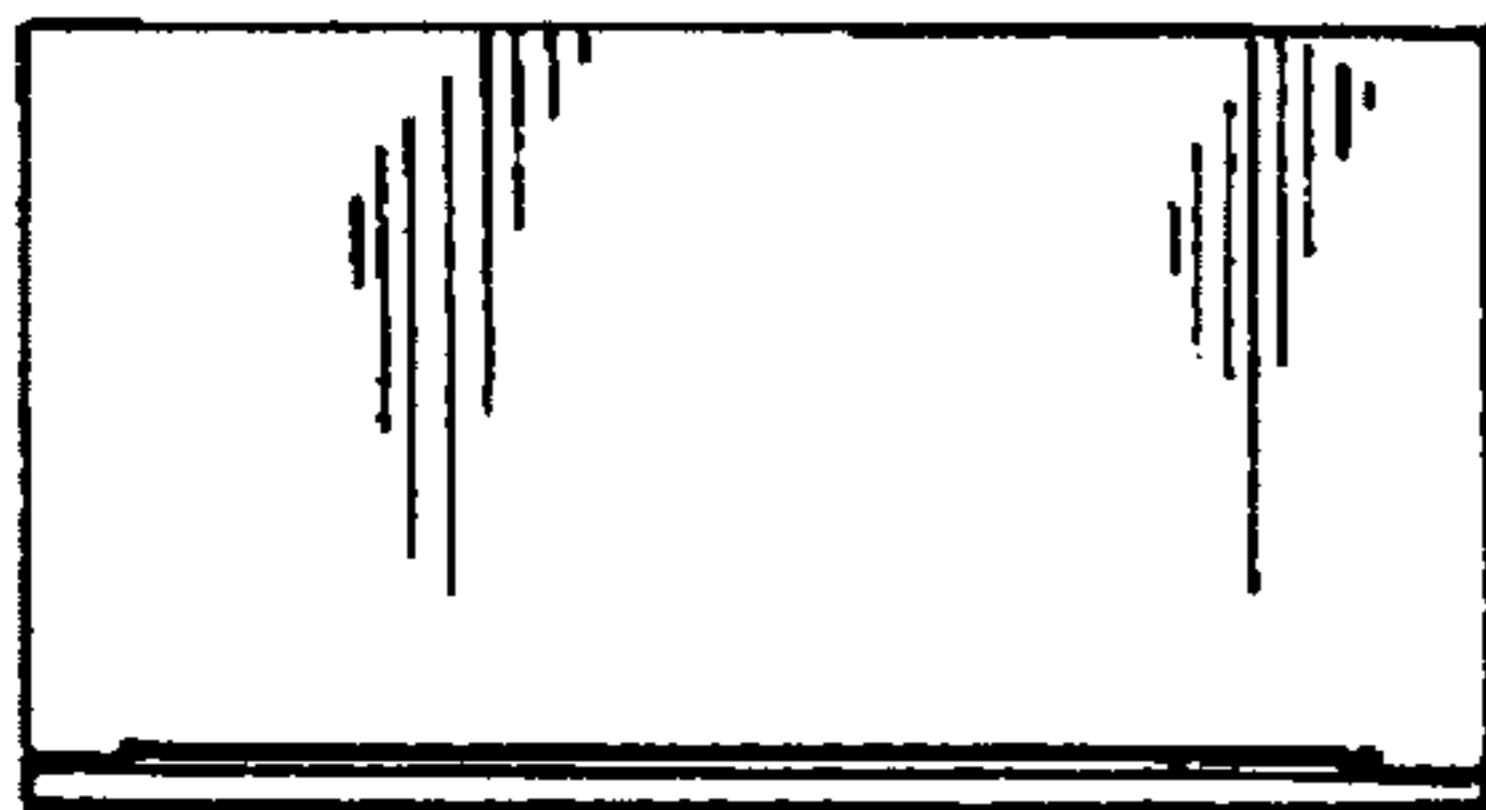


FIG 6



FIG 7