



US00D386550S

United States Patent [19]
Wright et al.

[11] **Patent Number: Des. 386,550**
[45] **Date of Patent: **Nov. 18, 1997**

[54] **CAVITY INSERT FOR A GOLF CLUB HEAD**

[75] **Inventors: David E. Wright, Glendale; John A. Solheim, Phoenix, both of Ariz.**

[73] **Assignee: Karsten Manufacturing Corp., Phoenix, Ariz.**

[**] **Term: 14 Years**

[21] **Appl. No.: 62,681**

[22] **Filed: Nov. 4, 1996**

Related U.S. Application Data

[62] **Division of Ser. No. 47,390, Dec. 1, 1995.**

[51] **LOC (6) Cl. 21-02**

[52] **U.S. Cl. D21/221; D21/220**

[58] **Field of Search D21/220, 221; 473/324, 327, 328, 350**

[56] **References Cited**

U.S. PATENT DOCUMENTS

- D. 256,264 8/1980 Solheim D21/220
- D. 314,803 2/1991 Antonious D21/220
- D. 318,703 7/1991 Shearer D21/214

- D. 329,266 9/1992 Antonious D21/220
- D. 331,272 11/1992 Antonious D21/220
- D. 332,478 1/1993 Antonious D21/220
- D. 368,127 3/1996 Solheim D21/220
- 2,087,685 7/1937 Hackney 273/77
- 4,826,172 5/1989 Antonious 273/169
- 4,919,430 4/1990 Antonious 473/350
- 4,932,658 6/1990 Antonious 473/350
- 5,377,985 1/1995 Ohnishi D21/220 X
- 5,595,552 1/1997 Wright et al. 473/350

Primary Examiner—Raphael Barkai
Assistant Examiner—Mitchell I. Siegel
Attorney, Agent, or Firm—Darrell F. Marquette

[57] **CLAIM**

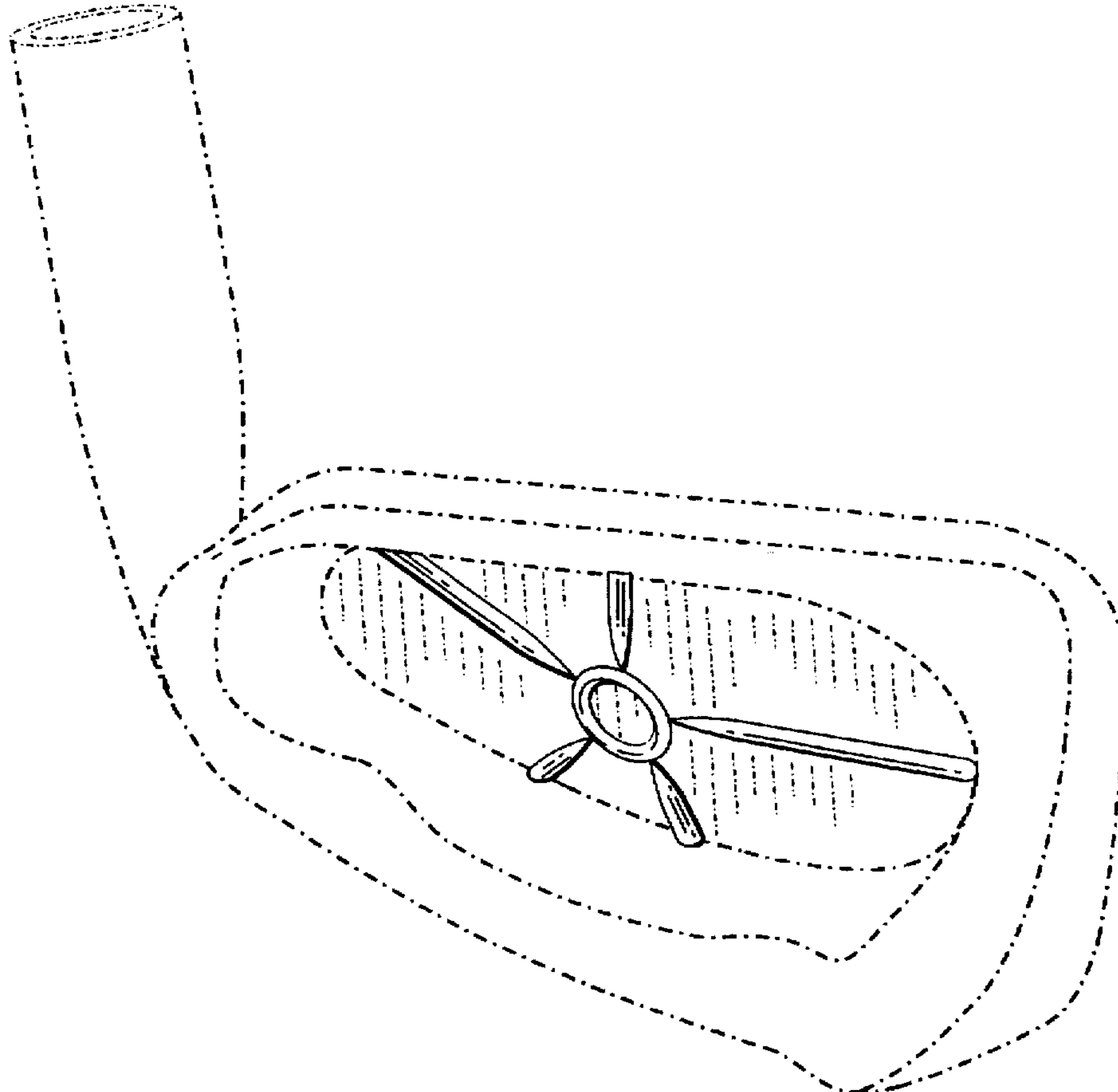
The ornamental design for a cavity insert for a golf club head, as shown and described.

DESCRIPTION

FIG. 1 is a perspective view of a cavity insert for a golf club head showing our new design; and, FIG. 2 is rear elevational view of the cavity insert shown in FIG. 1.

The broken line showing of a golf club head is for illustrative purposes only and forms no part of the claimed design.

1 Claim, 1 Drawing Sheet



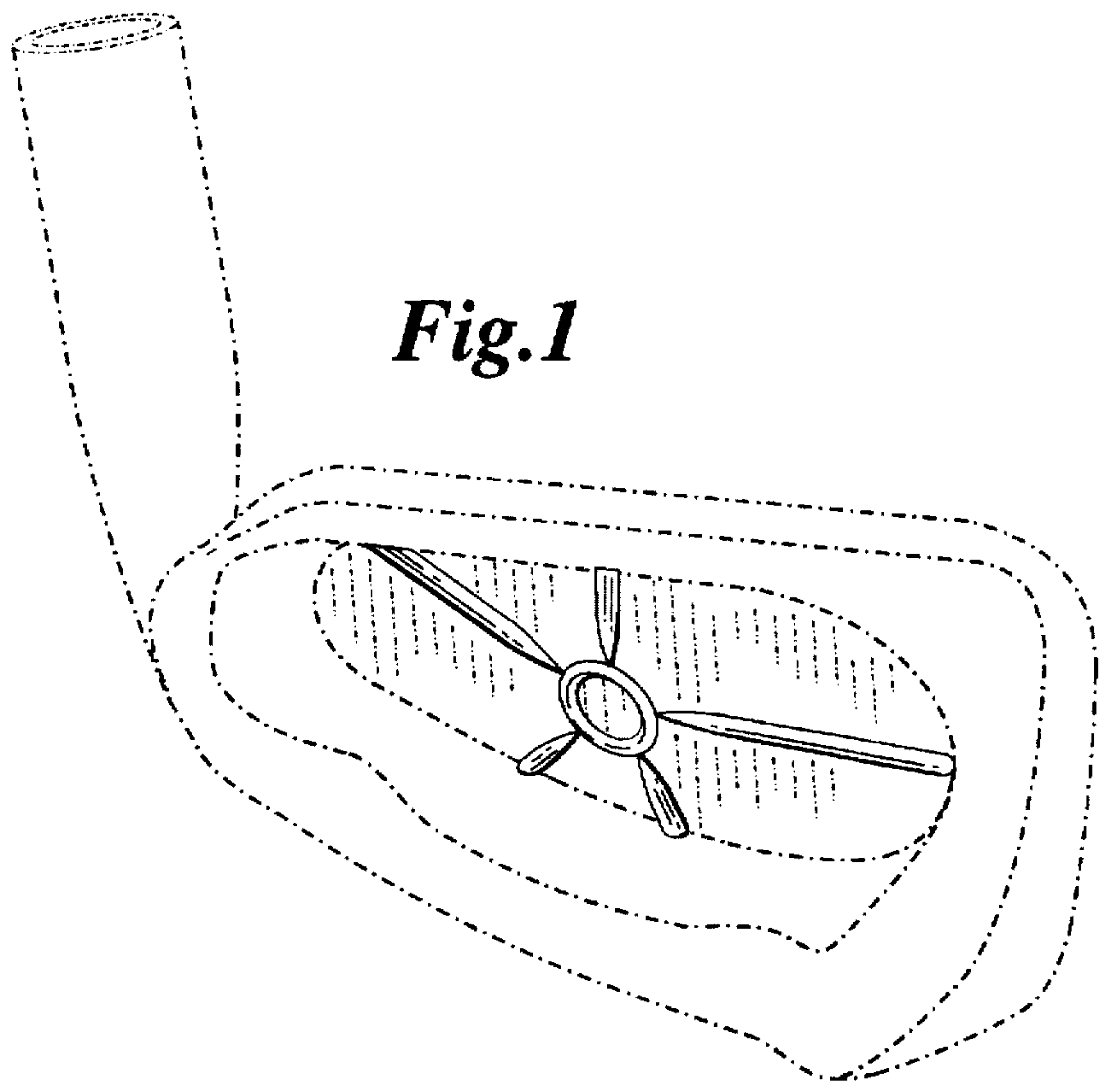


Fig.1

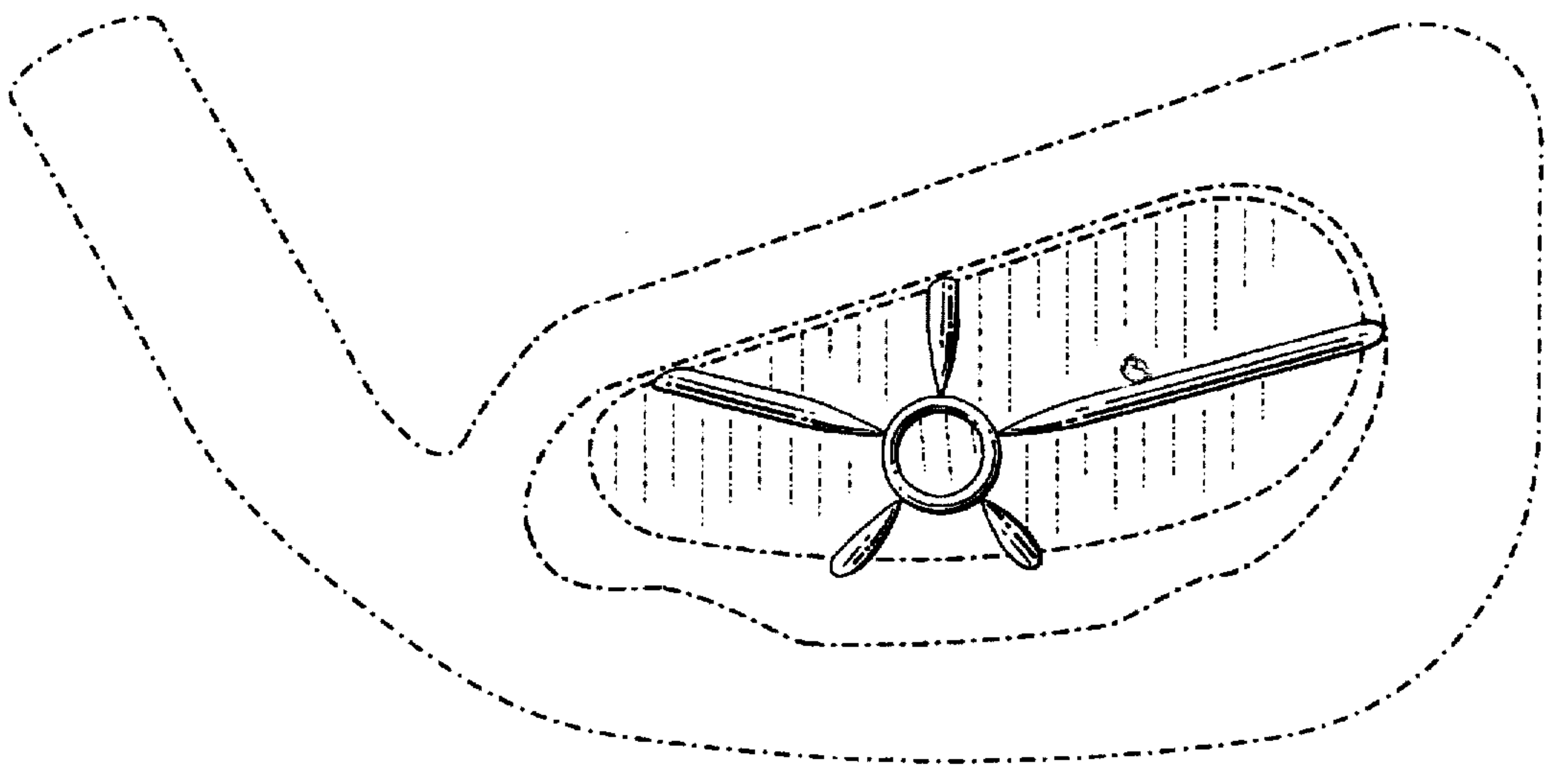


Fig.2